



US00D628868S

(12) **United States Design Patent**  
**Laurie**

(10) **Patent No.:** **US D628,868 S**

(45) **Date of Patent:** **\*\* Dec. 14, 2010**

(54) **LOW PROFILE SOCKET**

(76) **Inventor:** **Mark Laurie**, 13956 Coco Plum Rd.,  
Palm Beach Gardens, FL (US) 33418

(\*\*) **Term:** **14 Years**

(21) **Appl. No.:** **29/364,821**

(22) **Filed:** **Jun. 29, 2010**

**Related U.S. Application Data**

(63) Continuation-in-part of application No. 12/332,328,  
filed on Dec. 10, 2008.

(51) **LOC (9) Cl.** ..... **08-05**

(52) **U.S. Cl.** ..... **D8/29**

(58) **Field of Classification Search** ..... D8/21-29;  
81/58.3-59.16, 177.1, 177.85, 121.1, 124.3,  
81/165-170, 110.1, 176.2, 124.6, 176.1,  
81/176.15, 177.2; 16/110.1; D15/144.1;  
219/75, 227, 229, 121.16, 121.18

See application file for complete search history.

(56) **References Cited**

**U.S. PATENT DOCUMENTS**

4,408,504	A *	10/1983	Dobosh	.....	81/59.1
4,616,535	A *	10/1986	Chiavon	.....	81/121.1
4,671,141	A *	6/1987	Hanson	.....	81/53.2
4,939,961	A *	7/1990	Lee	.....	81/60
5,140,875	A *	8/1992	Kim	.....	81/63.1
5,313,860	A *	5/1994	Liou	.....	81/437
5,970,825	A *	10/1999	Barnett et al.	.....	81/60

6,595,088	B2 *	7/2003	Kuo et al.	.....	81/58.5
7,010,998	B2 *	3/2006	Ying-Hao	.....	81/121.1
D570,169	S *	6/2008	Lin	.....	D8/29
2008/0236343	A1 *	10/2008	Chen	.....	81/58.4

\* cited by examiner

*Primary Examiner*—Raphael Barkai

*Assistant Examiner*—Randall Gholson

(74) *Attorney, Agent, or Firm*—Gold & Rizvi, P.A.; Glenn E. Gold; H. John Rizvi

(57) **CLAIM**

I claim the ornamental design for low profile socket, as shown and described.

**DESCRIPTION**

FIG. 1 is an isometric top view of a low profile socket showing my new design;

FIG. 2 is an isometric bottom view thereof;

FIG. 3 is an elevation first side view thereof;

FIG. 4 is an elevation second side view rotating 90 degrees thereof;

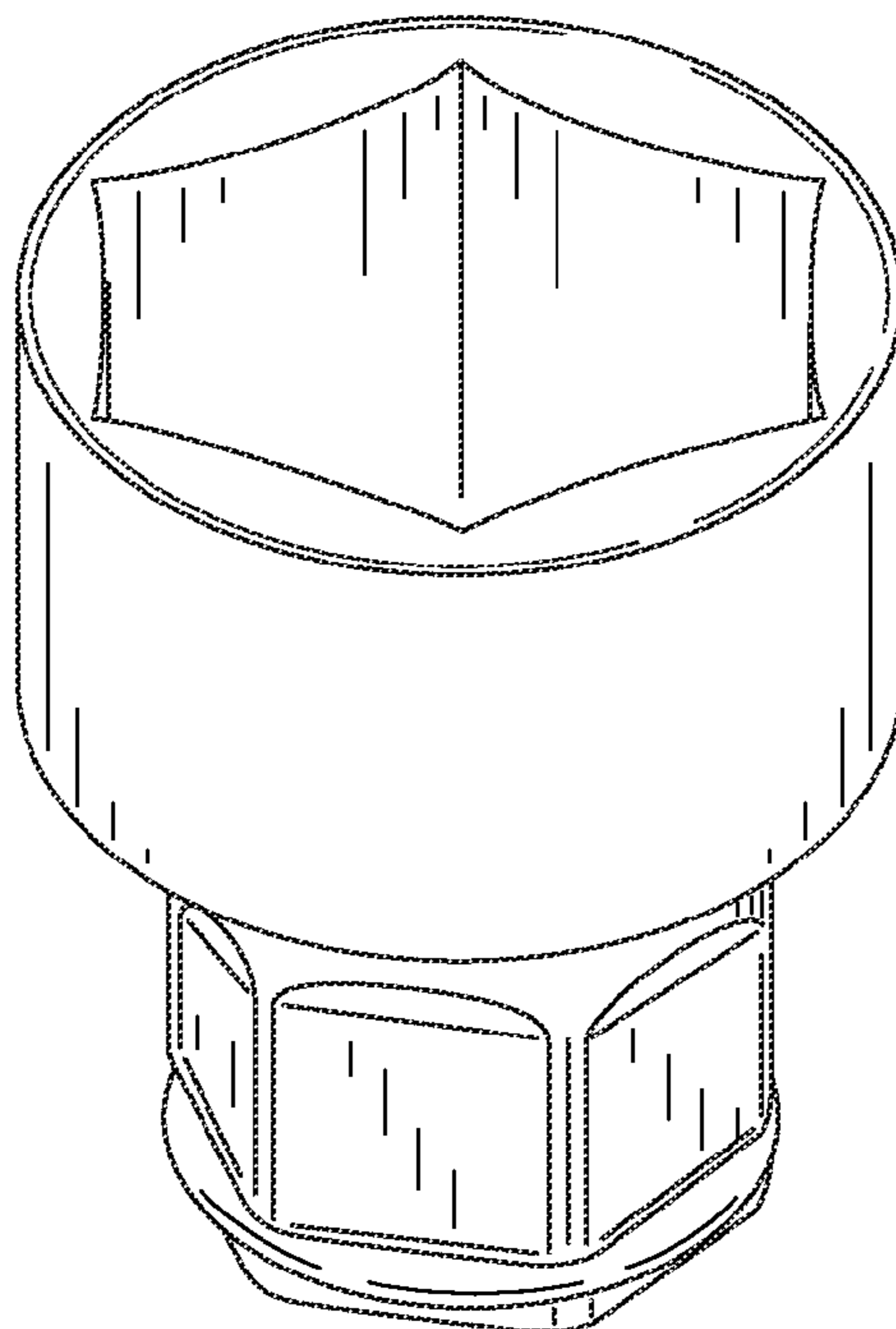
FIG. 5 is an elevation third side view rotating 180 degrees thereof;

FIG. 6 is an elevation fourth side view rotating 270 degrees thereof;

FIG. 7 is a plan top view thereof; and,

FIG. 8 is a plan bottom view thereof.

**1 Claim, 4 Drawing Sheets**



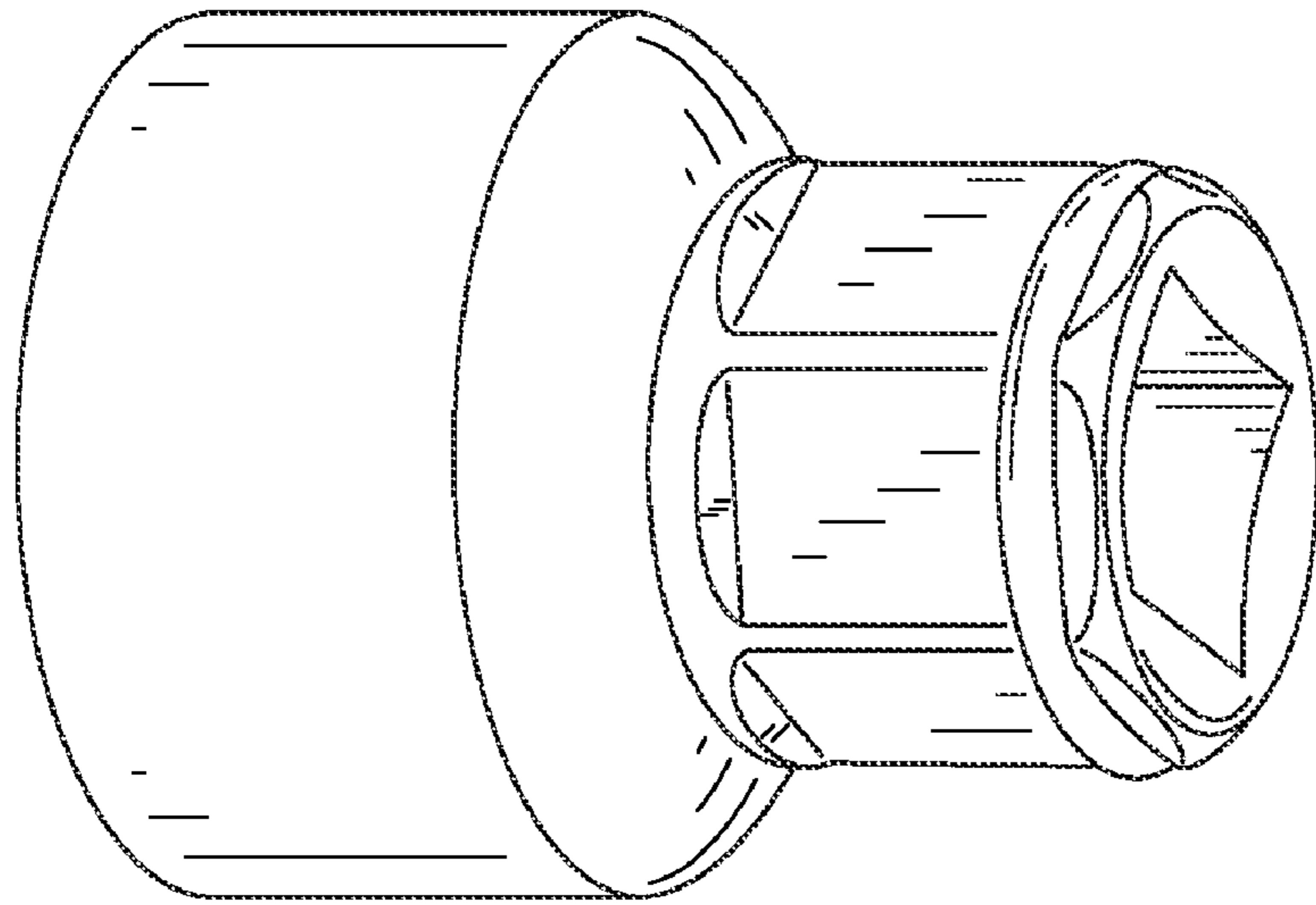


FIG. 1

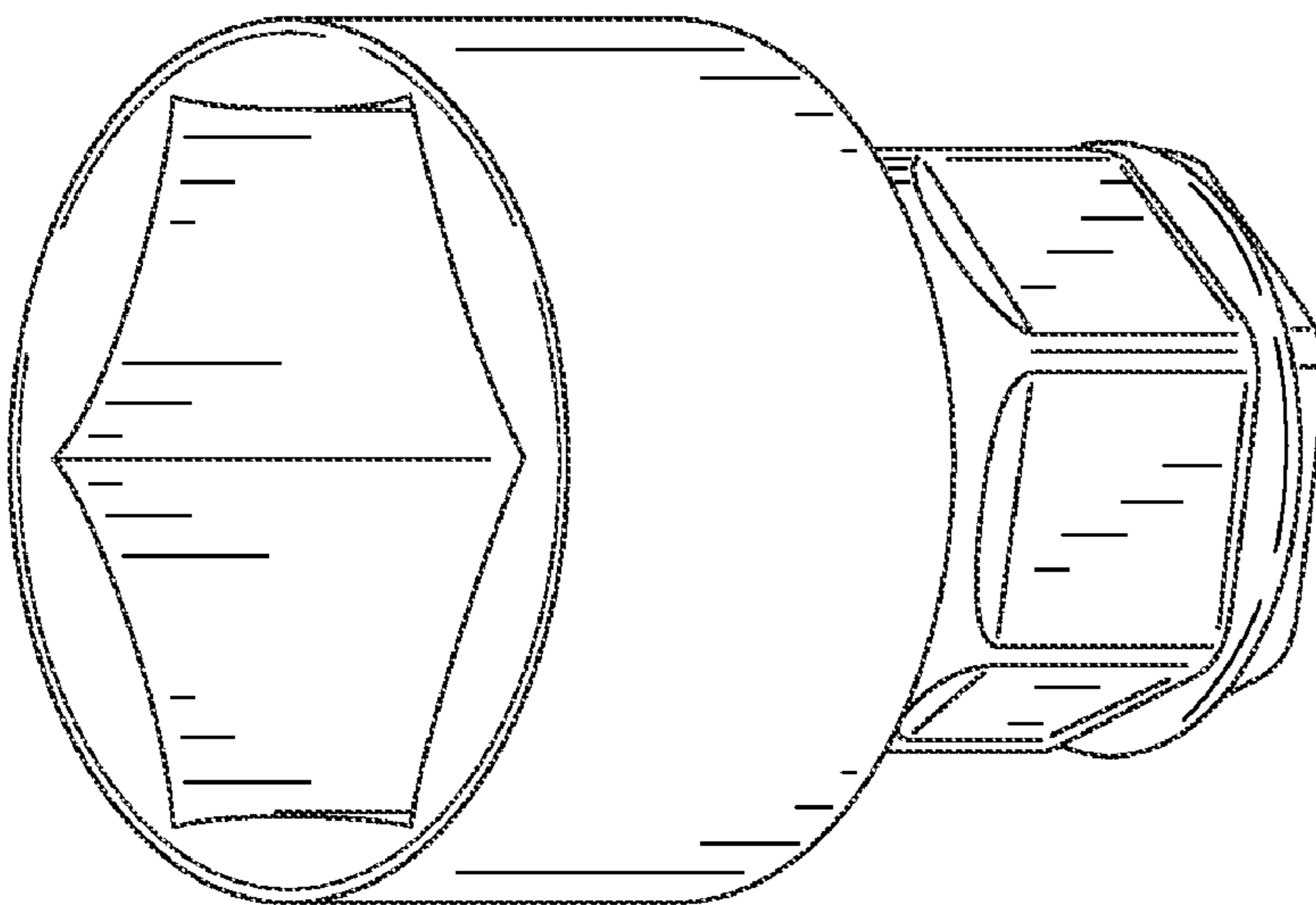


FIG. 2

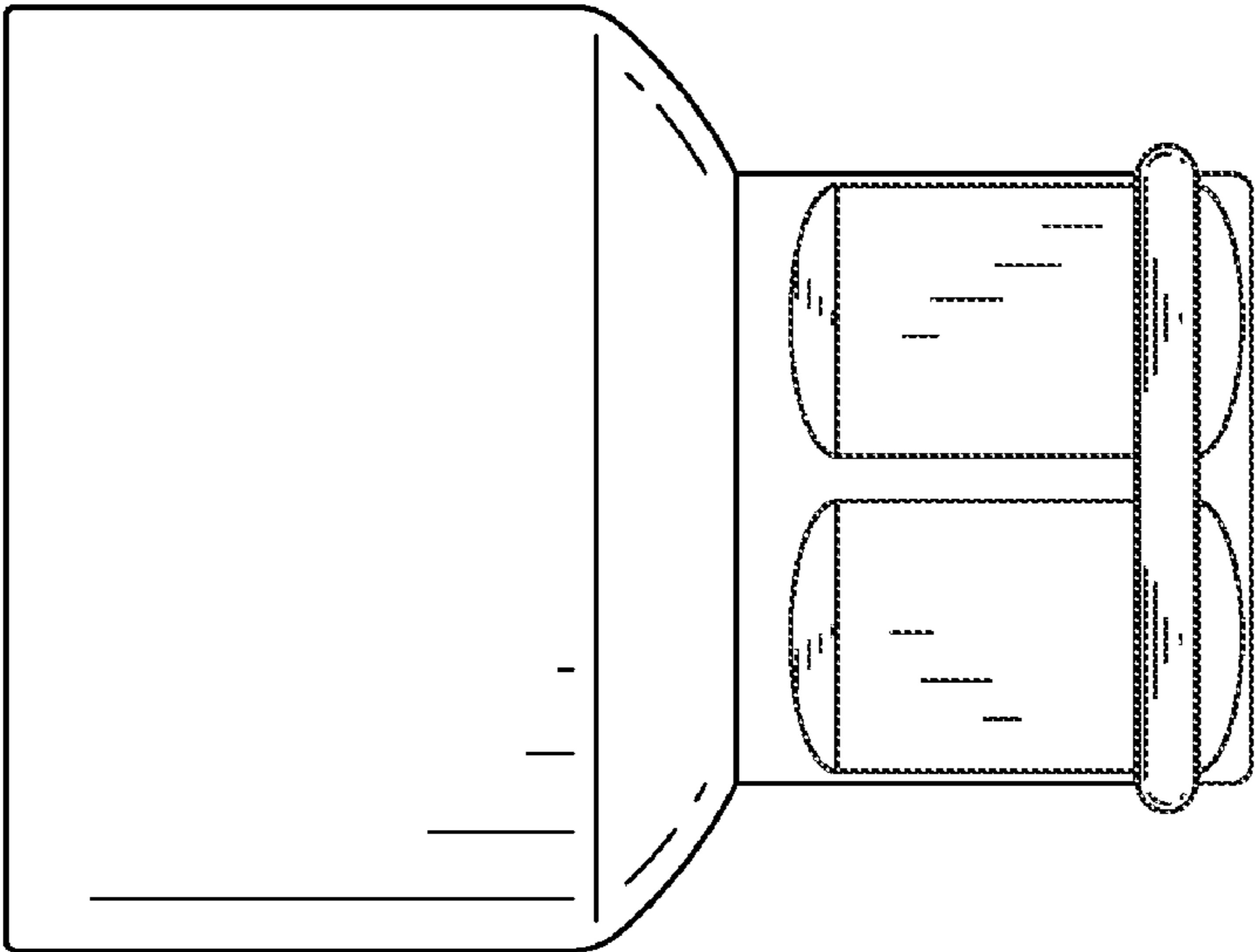


FIG. 3

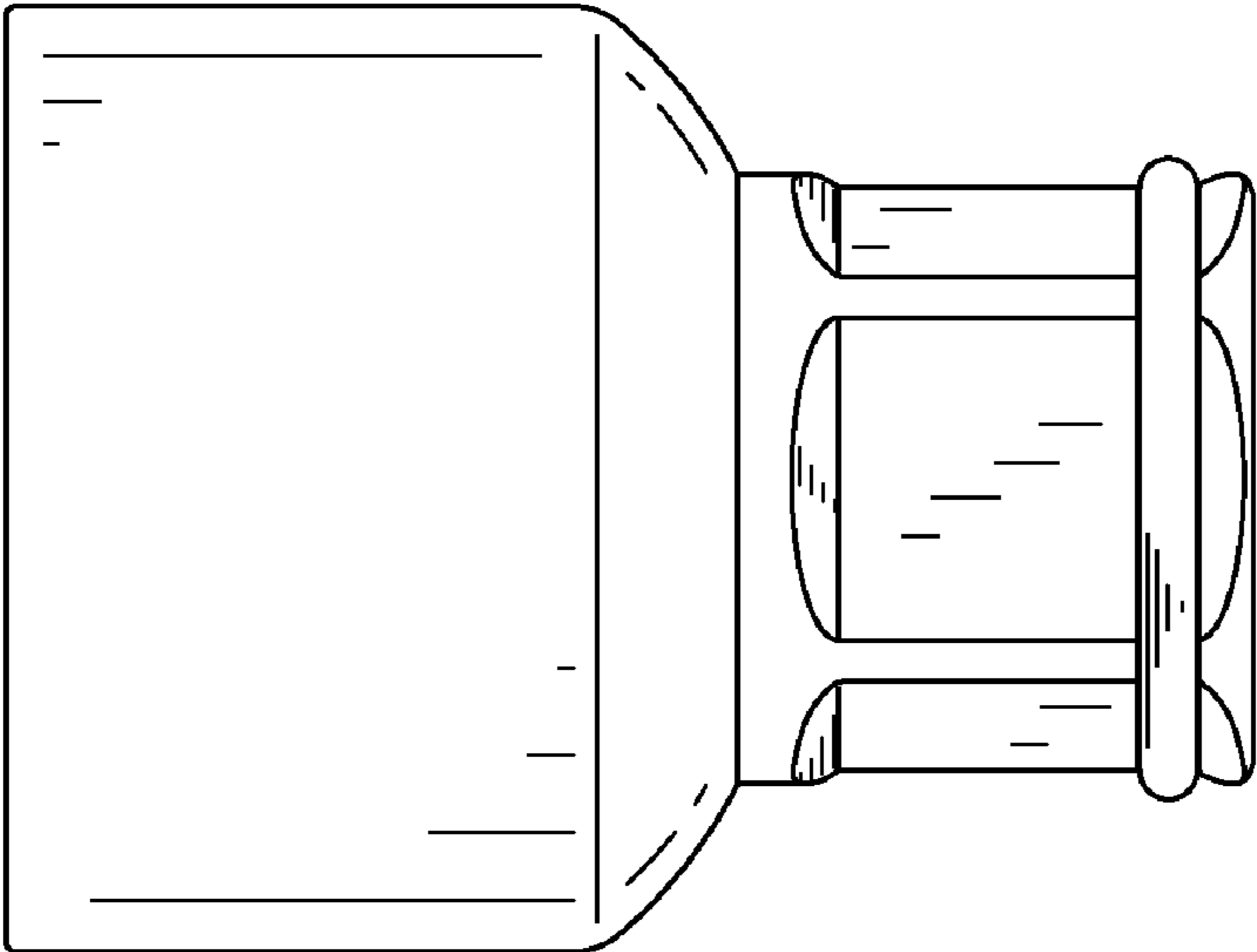


FIG. 4

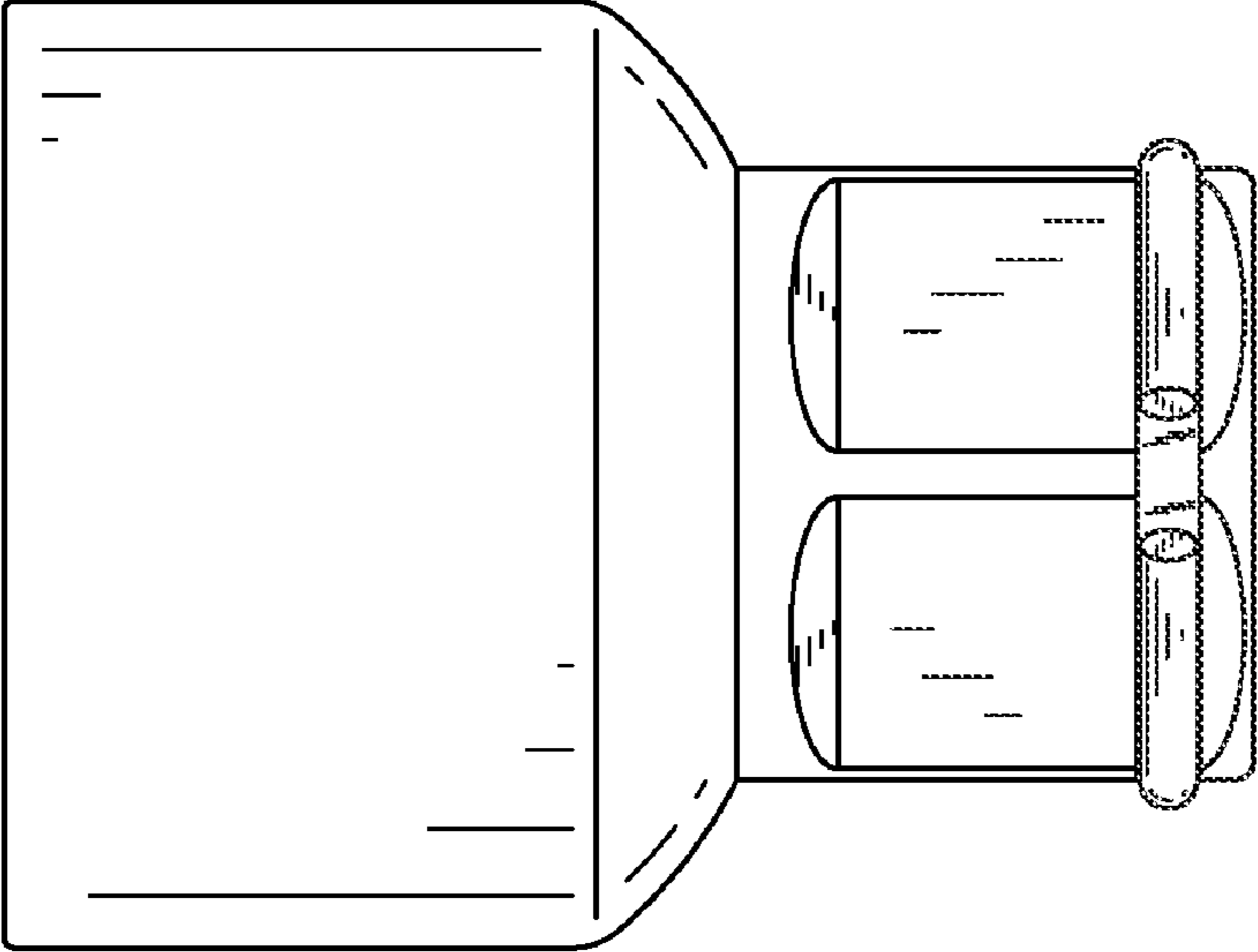


FIG. 5

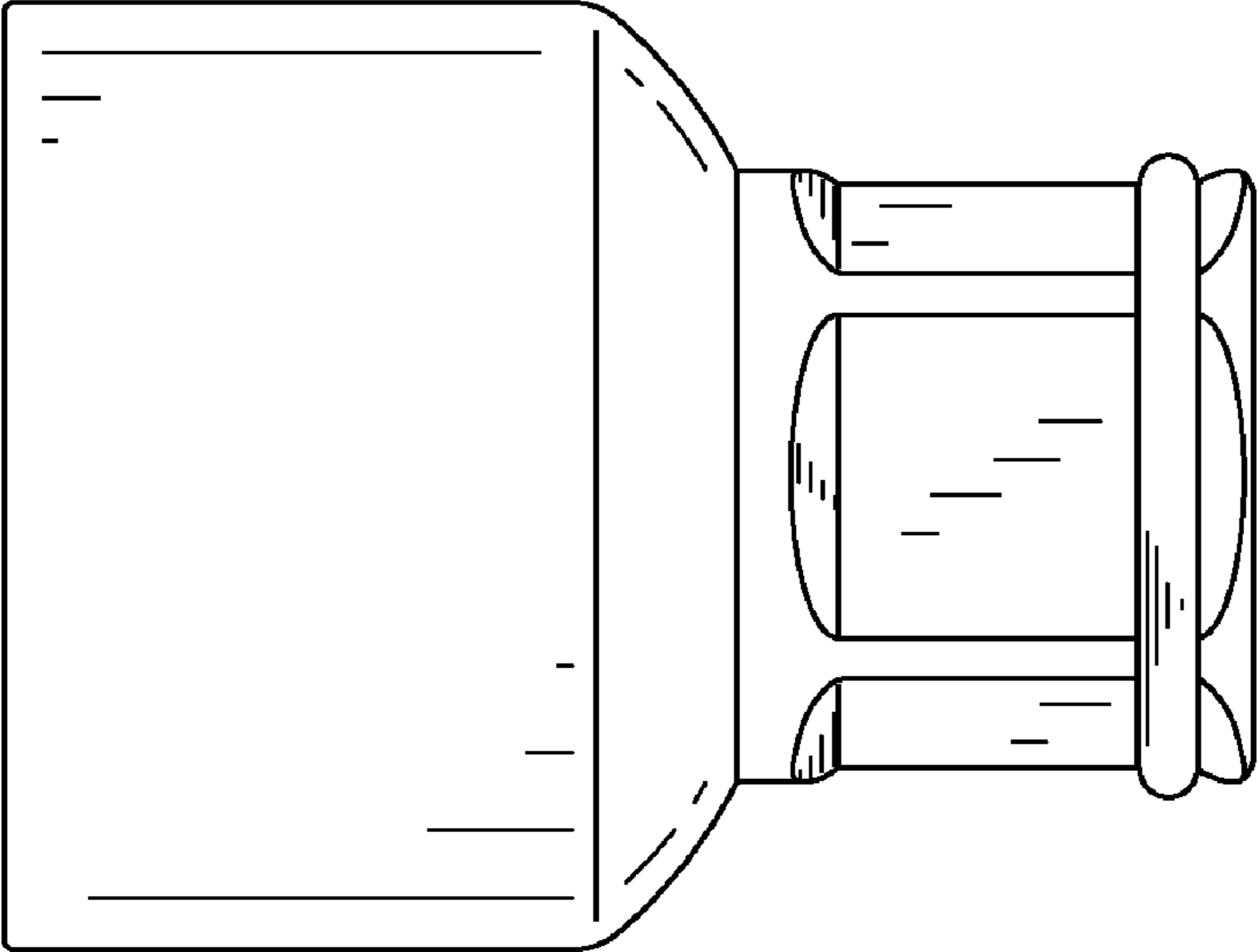


FIG. 6

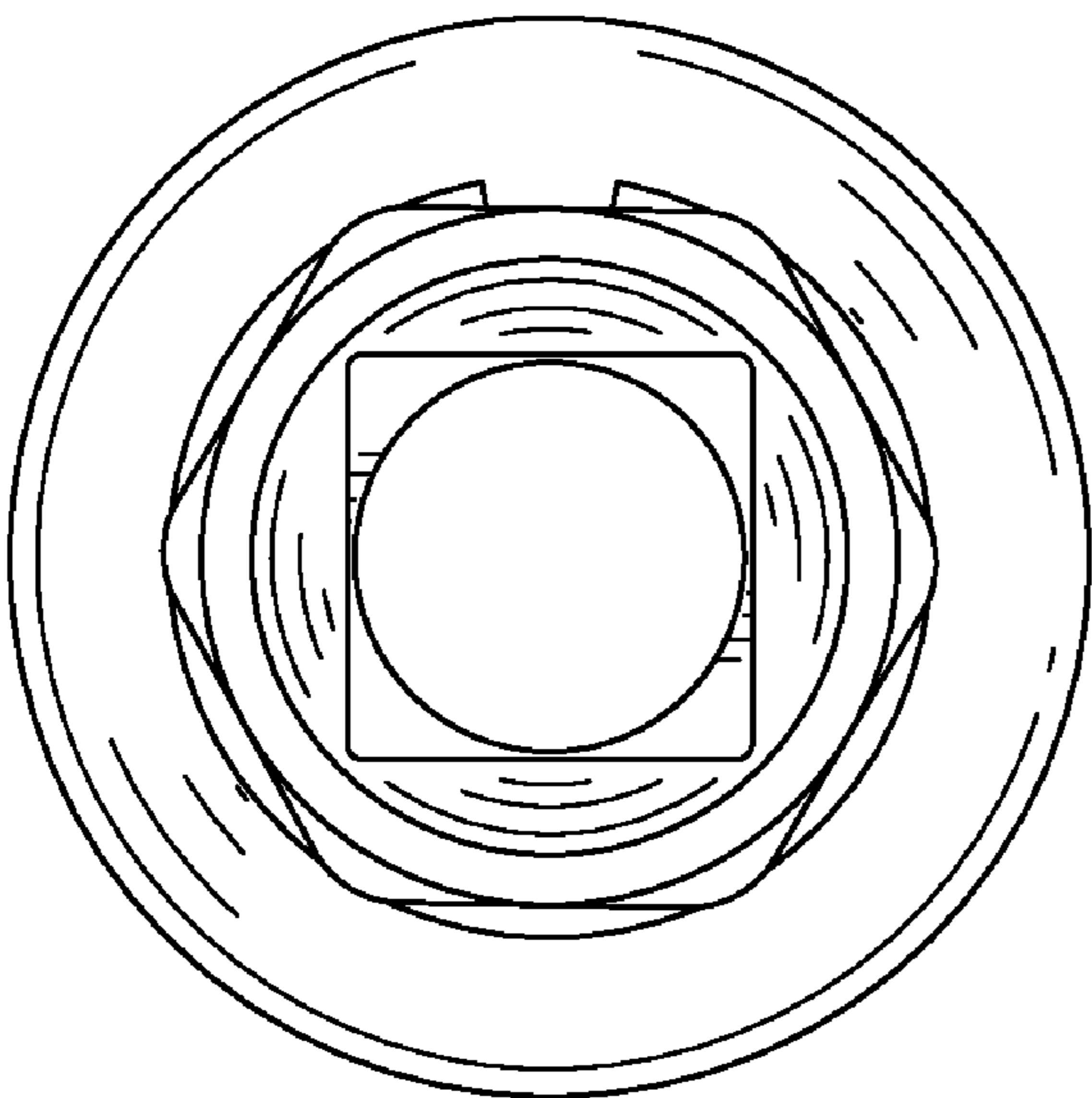


FIG. 8

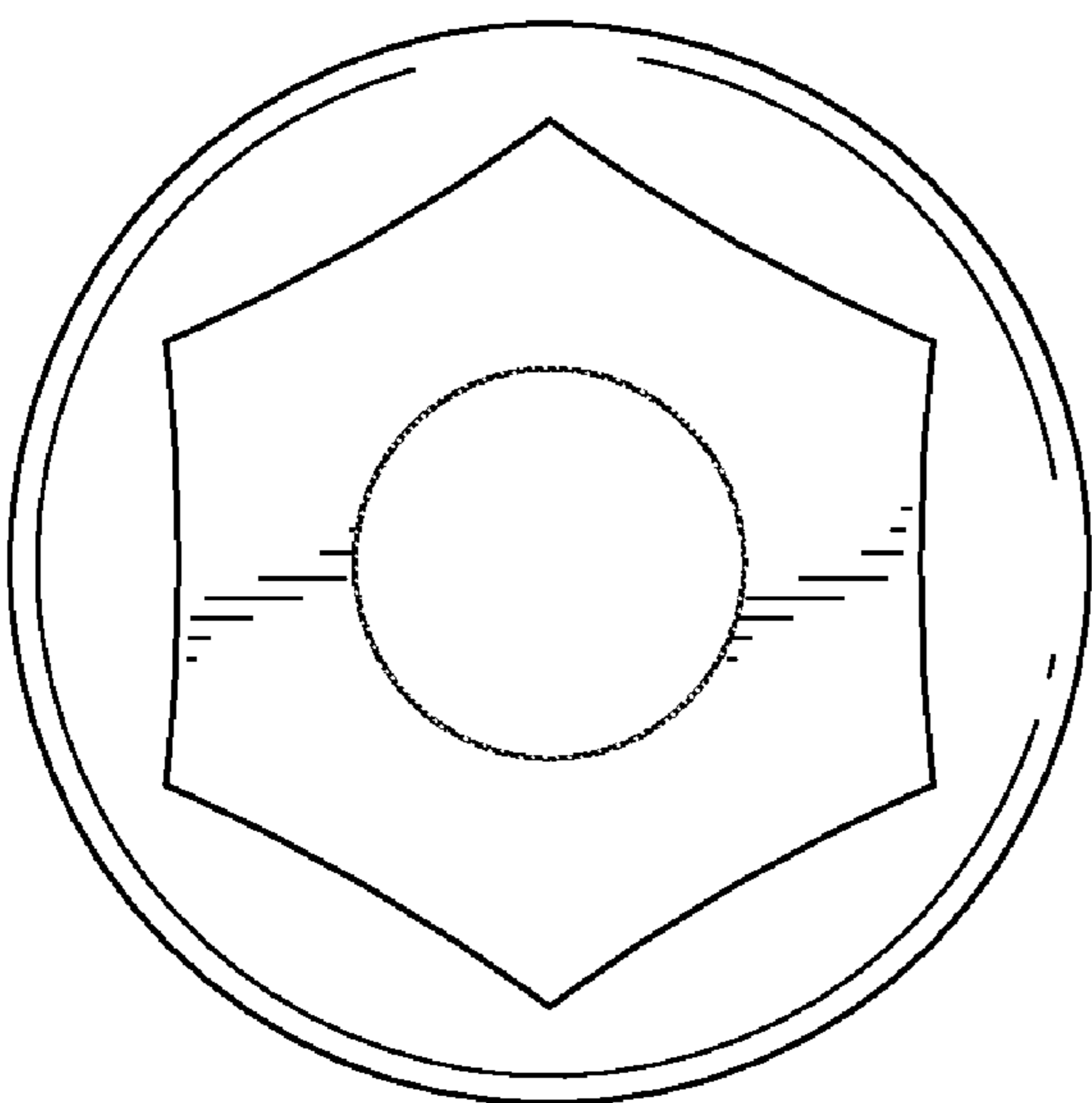


FIG. 7