



US00D628865S

(12) **United States Design Patent**
Guindi

(10) **Patent No.:** **US D628,865 S**

(45) **Date of Patent:** **** Dec. 14, 2010**

(54) **MUG TREE**

D526,863 S * 8/2006 Goodman et al. D7/704

(75) Inventor: **Henry V. Guindi**, Brooklyn, NY (US)

* cited by examiner

(73) Assignee: **HDS Trading Corp.**, North Brunswick, NJ (US)

Primary Examiner—Terry A Wallace

(74) *Attorney, Agent, or Firm*—Rankin, Hill & Clark LLP

(**) Term: **14 Years**

(57) **CLAIM**

(21) Appl. No.: **29/359,579**

The ornamental design for a mug tree, as shown and described.

(22) Filed: **Apr. 13, 2010**

DESCRIPTION

(51) **LOC (9) Cl.** **07-06**

FIG. 1 is a front left perspective view of a mug tree.

(52) **U.S. Cl.** **D7/704**

FIG. 2 is a front elevational view of the mug tree of FIG. 1.

(58) **Field of Classification Search** D7/600.1–600.4,
D7/701–708; D6/465, 411, 458, 468; 211/13.1,
211/85.3, 123, 133.2, 181.1, 205, 71.01,
211/74

FIG. 3 is a right side view of the mug tree of FIG. 1.

FIG. 4 is a rear elevational view of the mug tree of FIG. 1.

FIG. 5 is a left side view of the mug tree of FIG. 1.

FIG. 6 is a top plan view of the mug tree of FIG. 1.

FIG. 7 is a bottom plan view of the mug tree of FIG. 1.

See application file for complete search history.

FIG. 8 is a front left perspective view of another embodiment of a mug tree; and,

FIG. 9 is a front left perspective view of another embodiment of a mug tree.

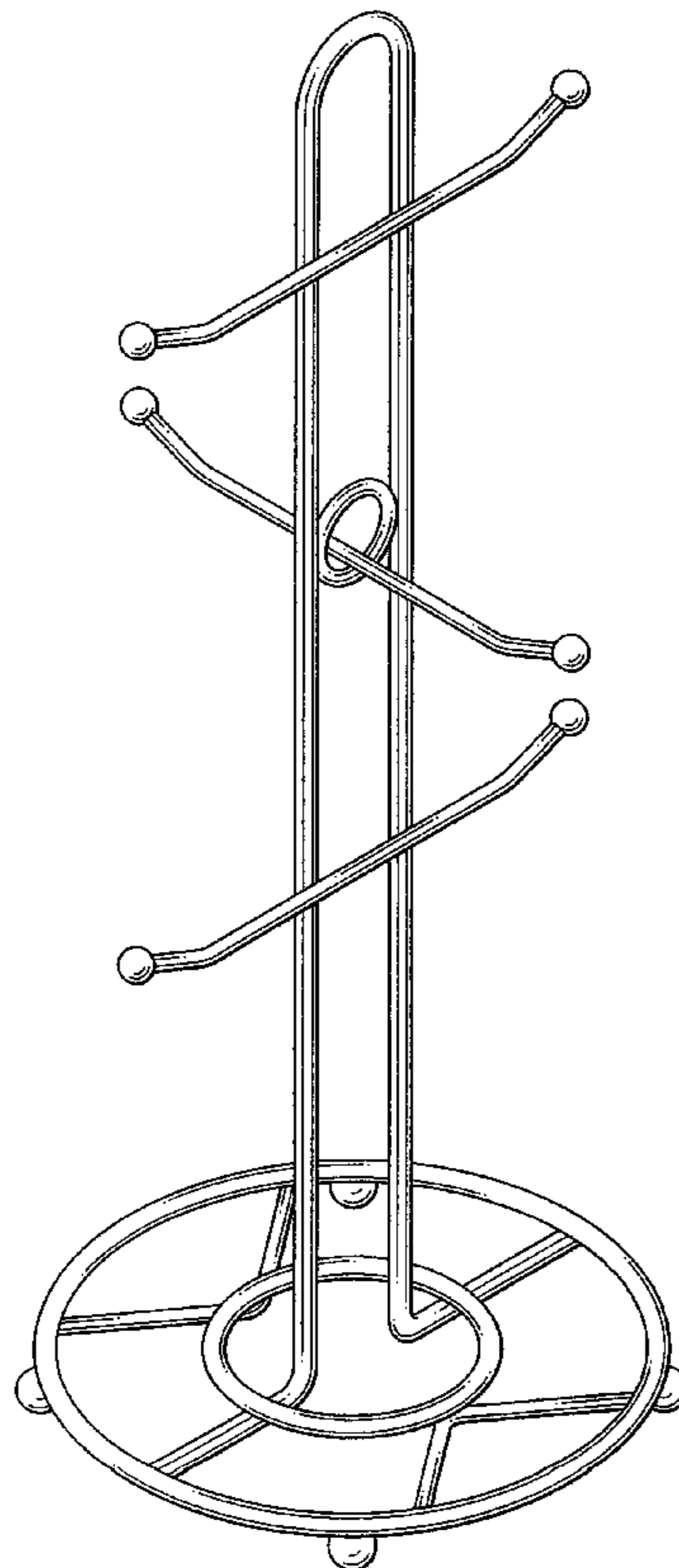
The dash lines in FIGS. 8-9 are for illustrative purposes only showing environmental subject matter and form no part of the claimed design.

(56) **References Cited**

U.S. PATENT DOCUMENTS

D271,913 S *	12/1983	Nanfito et al.	D6/462
D312,556 S *	12/1990	Ancona et al.	D7/701
D334,855 S *	4/1993	Harrington et al.	D6/458
D385,758 S *	11/1997	Hollinger	D7/704
D393,783 S *	4/1998	Goodman	D7/704
D447,393 S *	9/2001	Bodum	D7/707
6,568,546 B1 *	5/2003	Huang	211/205
D496,191 S *	9/2004	Johnson	D6/465

1 Claim, 9 Drawing Sheets



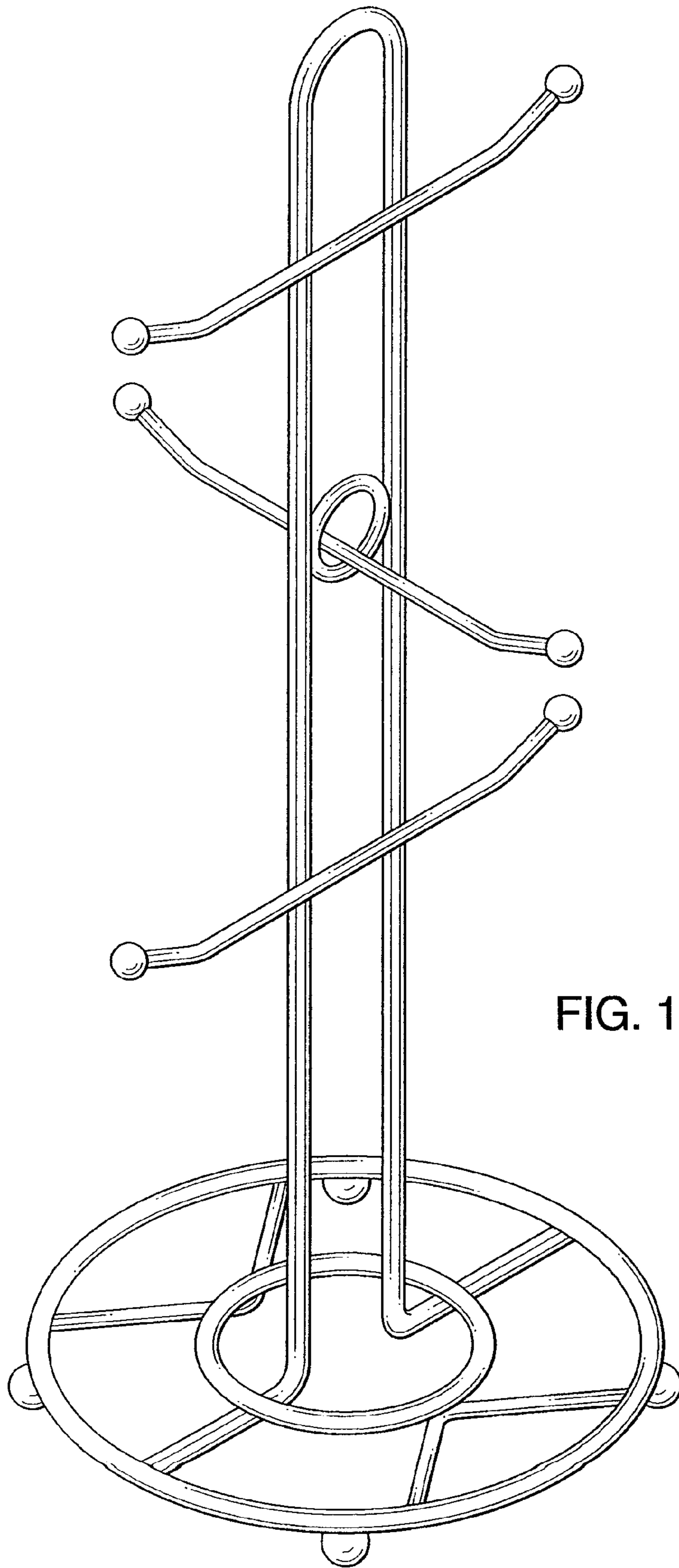


FIG. 1

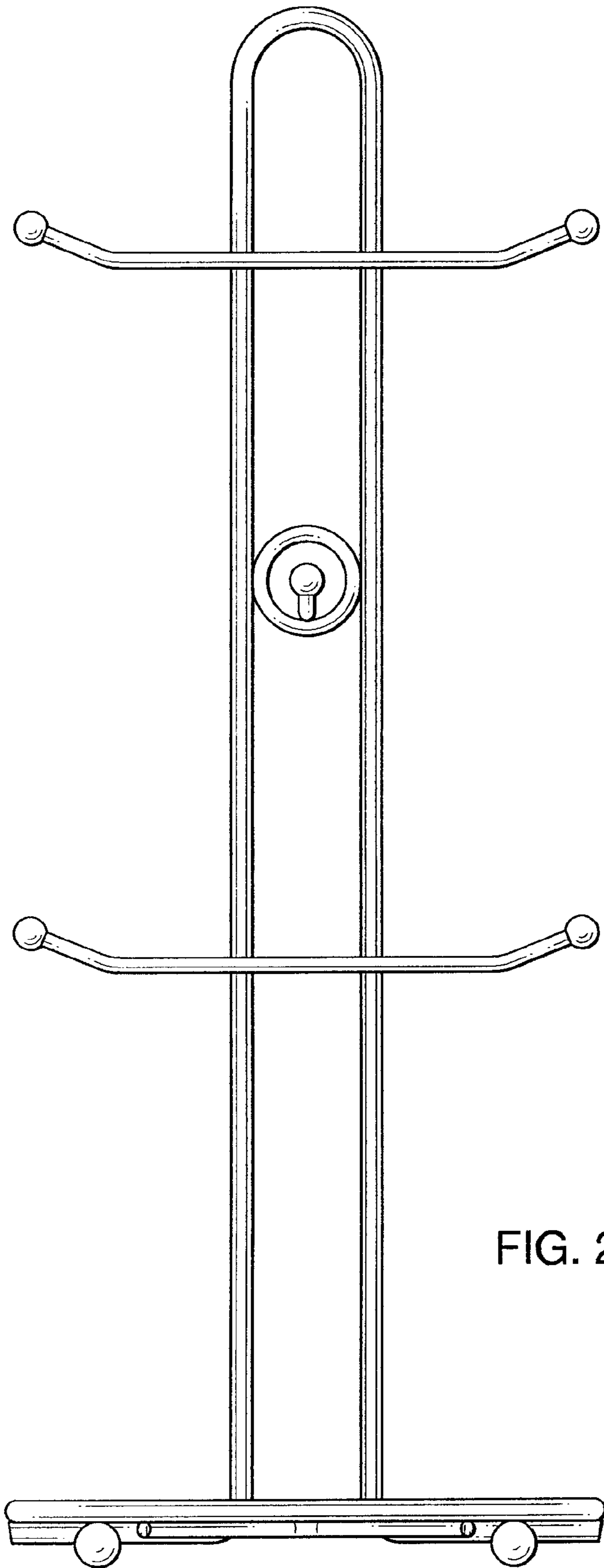


FIG. 2

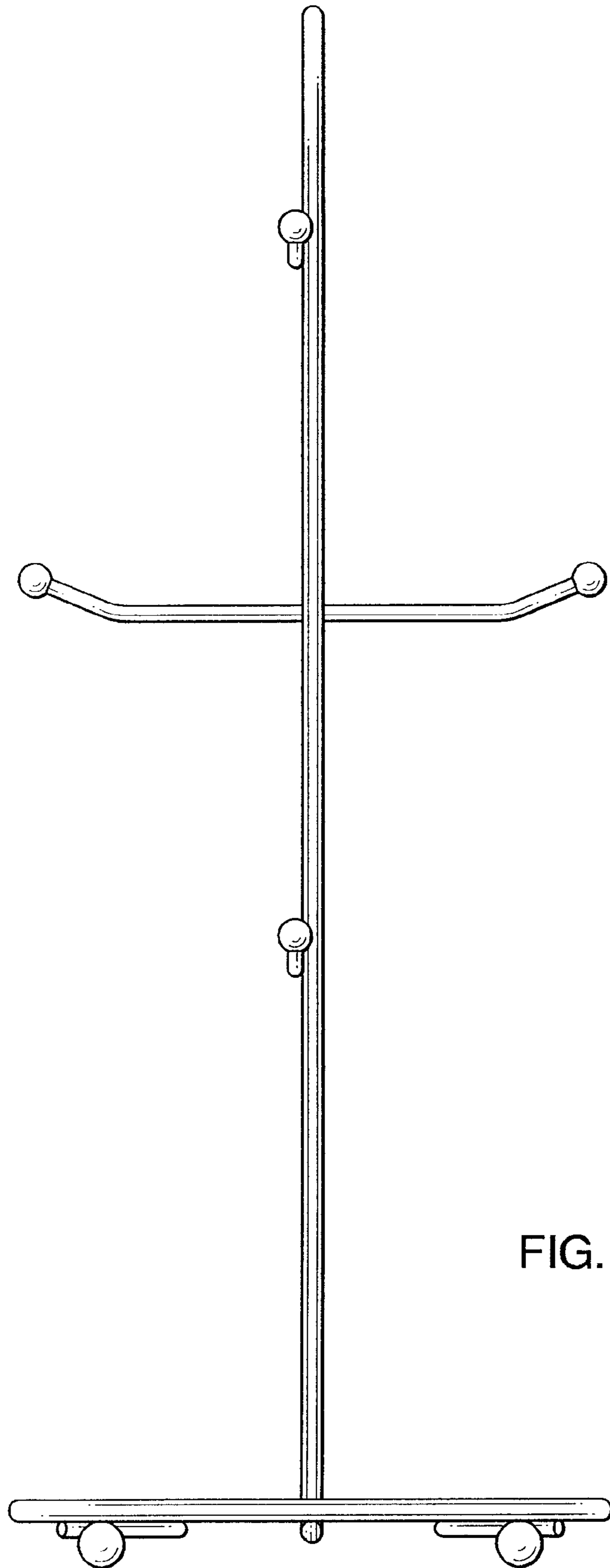


FIG. 3

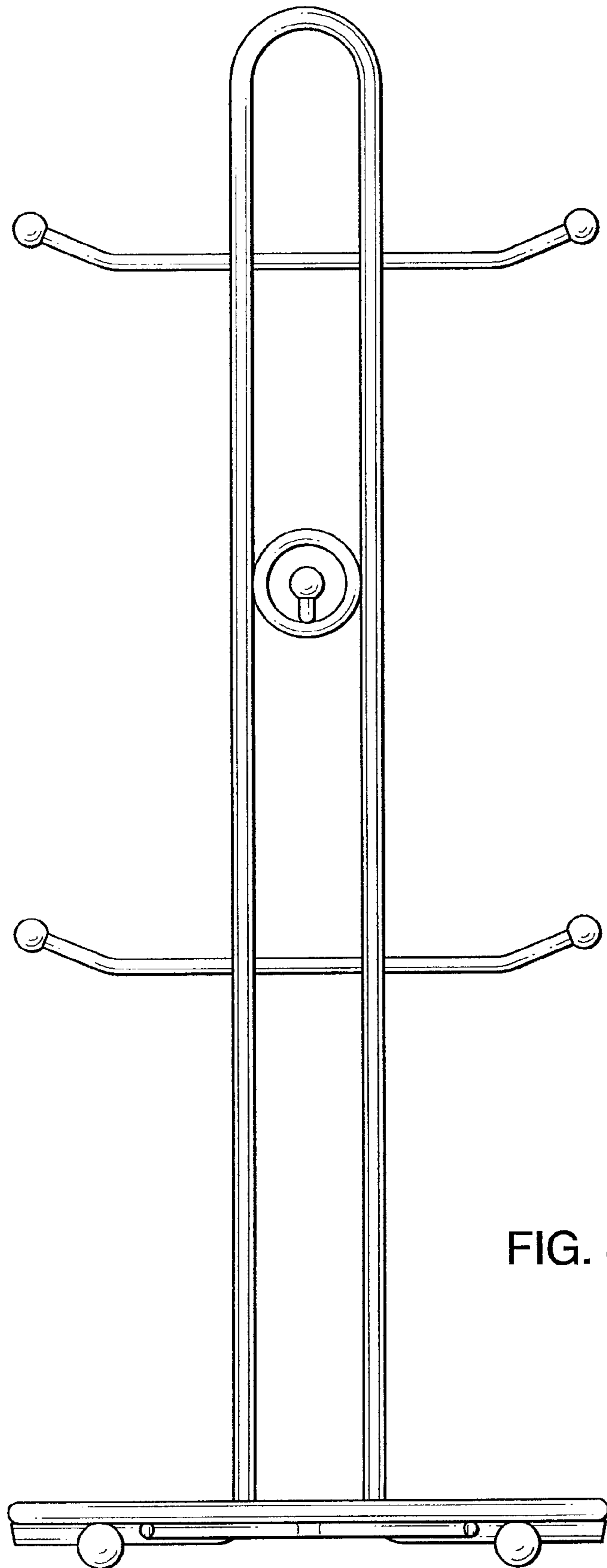


FIG. 4

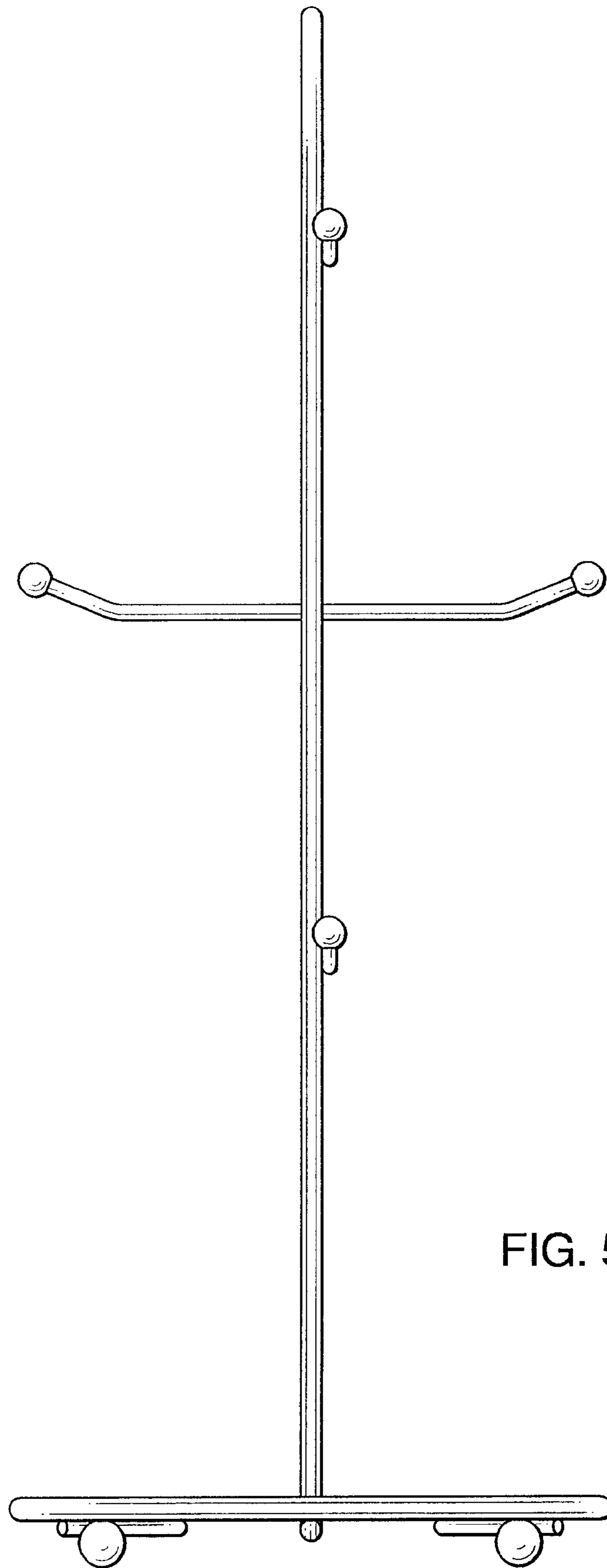


FIG. 5

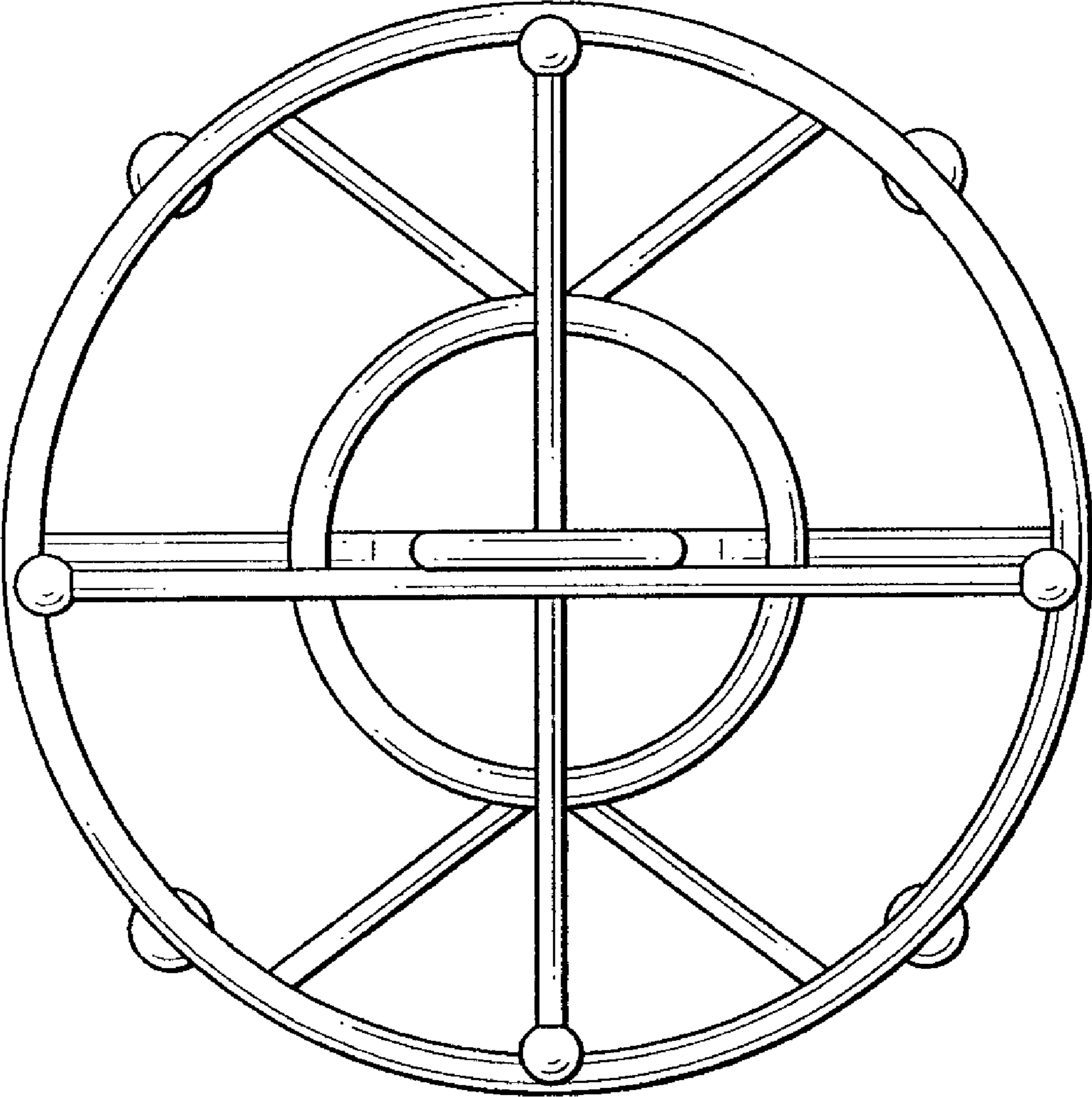


FIG. 6

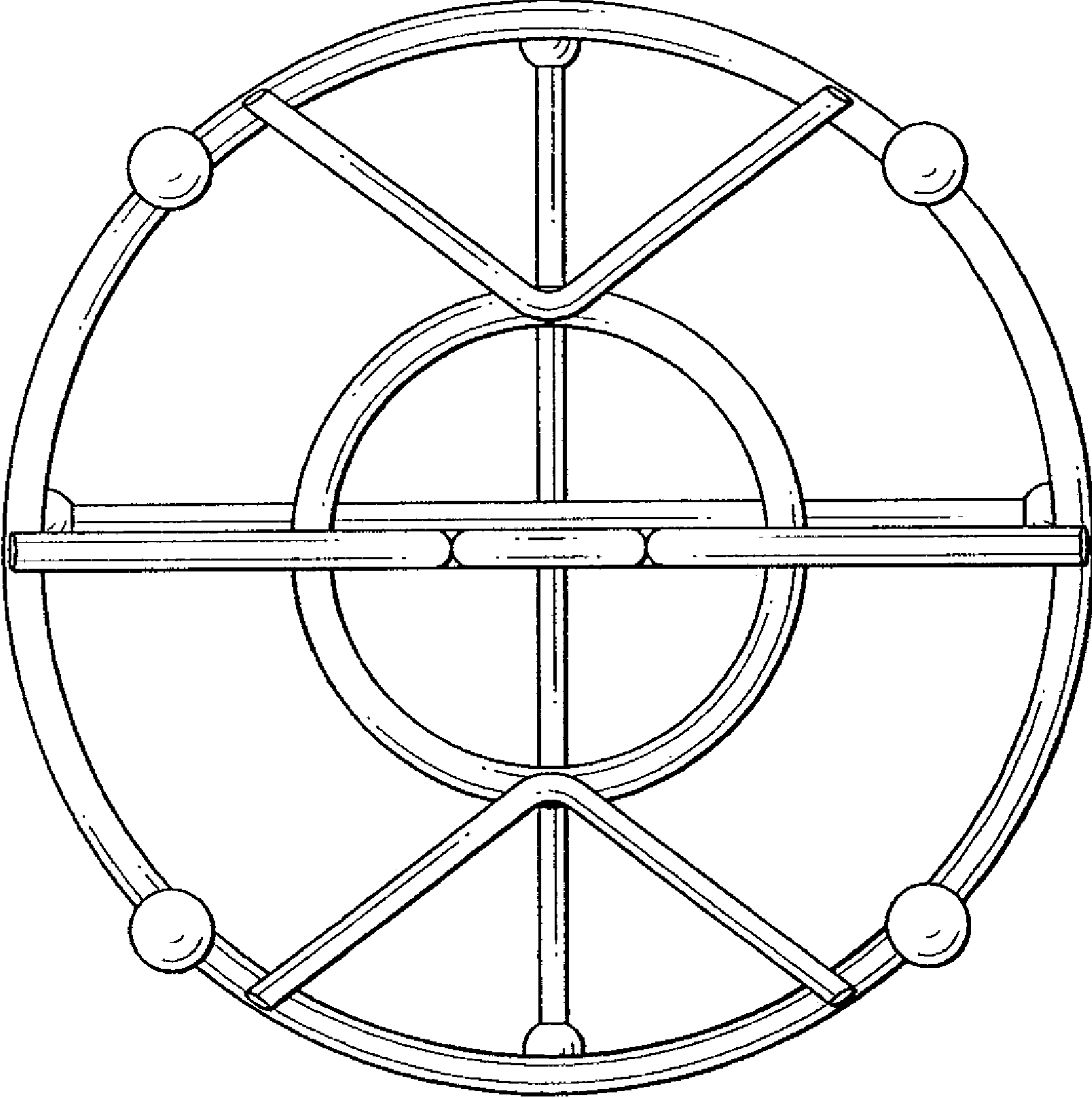


FIG. 7

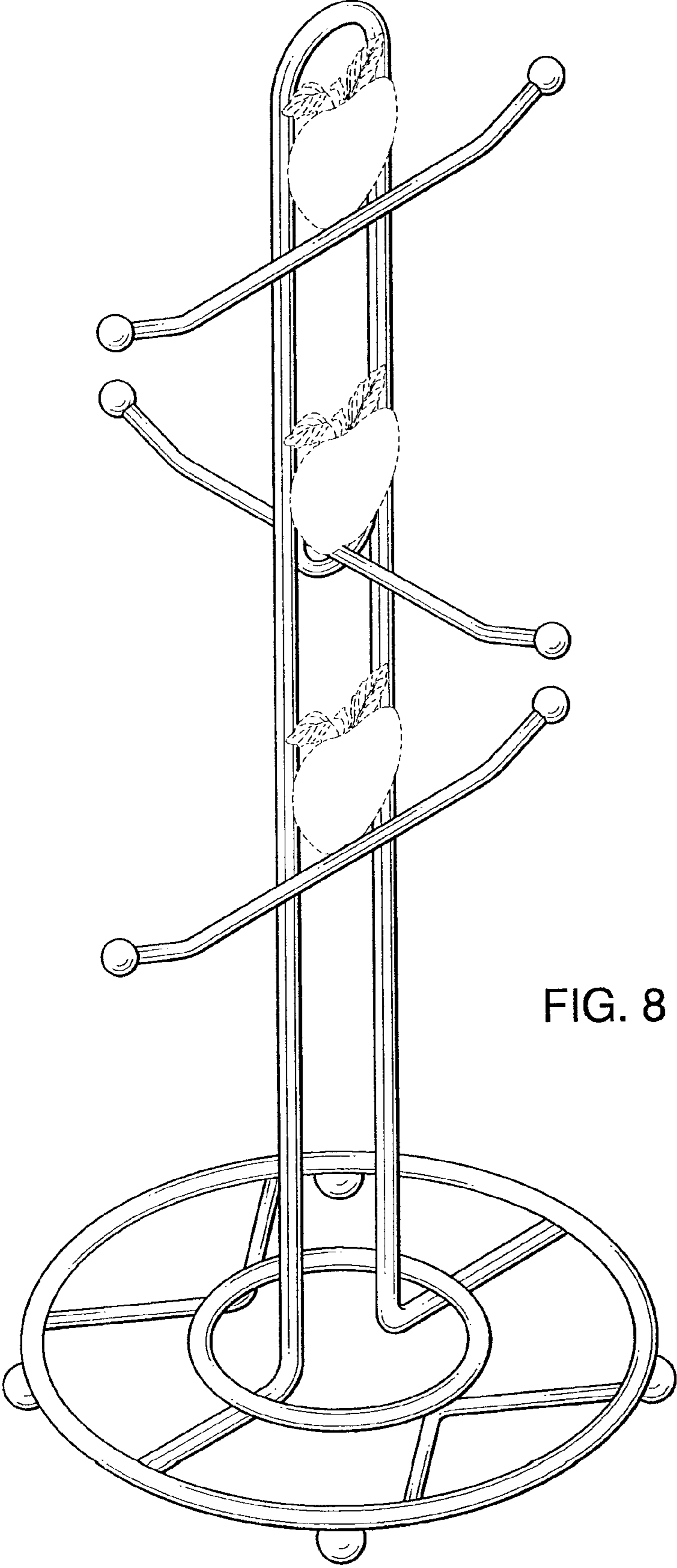


FIG. 8

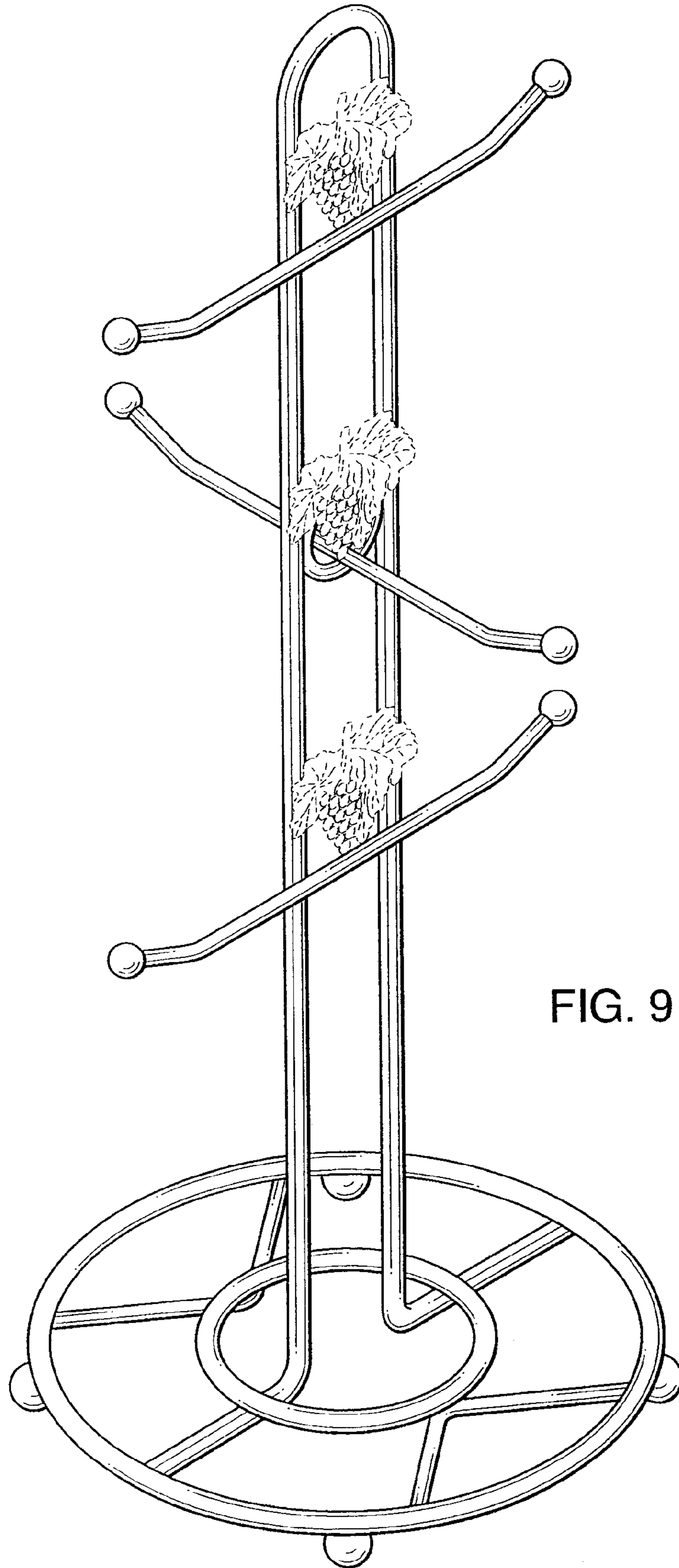


FIG. 9