



US00D628864S

(12) **United States Design Patent**
Zeilinger

(10) **Patent No.:** **US D628,864 S**

(45) **Date of Patent:** **** Dec. 14, 2010**

(54) **DUAL-SIDED,
CHRISTMAS-TREE-WITH-ORNAMENTS
COOKIE CUTTER**

(76) Inventor: **James E. Zeilinger**, 2909 Drummond Rd., Cleveland, OH (US) 44120

(**) Term: **14 Years**

(21) Appl. No.: **29/349,110**

(22) Filed: **Mar. 10, 2010**

(51) **LOC (9) Cl.** **07-02**

(52) **U.S. Cl.** **D7/676**

(58) **Field of Classification Search** D7/672-677,
D7/354, 628; 99/537; 30/114, 152, 301-306,
30/314, 315, 294, 280

See application file for complete search history.

(56) **References Cited**

U.S. PATENT DOCUMENTS

D156,549 S	12/1949	McBirney	D44/29
D162,798 S	4/1951	Ebbott	D67/3
2,596,159 A *	5/1952	McBirney	30/315
2,612,123 A *	9/1952	Nord	30/316
3,128,724 A *	4/1964	Linder	30/315
D247,876 S	5/1978	Garson et al.	D9/219
D249,112 S	8/1978	Garson et al.	D7/43
D282,893 S *	3/1986	Daenen	D7/676
D304,403 S	11/1989	Wolff	D7/43

D524,122 S	7/2006	Johnson et al.	D7/675
D540,616 S	4/2007	Nichols et al.	D7/354
D546,120 S	7/2007	Nichols et al.	D7/391
D581,224 S	11/2008	Vendl	D7/675
D587,074 S	2/2009	Casarta	D7/675
D604,999 S	12/2009	Ablo	D7/675
D605,000 S	12/2009	Ablo	D7/675

* cited by examiner

Primary Examiner—Terry A Wallace

(74) *Attorney, Agent, or Firm*—David A. Burge

(57) **CLAIM**

I claim the ornamental design for a dual-sided, Christmas-tree-with-ornaments cookie cutter, as shown and described.

DESCRIPTION

FIG. 1 is a perspective view of my new design, with the view showing principally front, left side and bottom end exterior surfaces thereof;

FIG. 2 is a front elevational view thereof;

FIG. 3 is a bottom end view thereof;

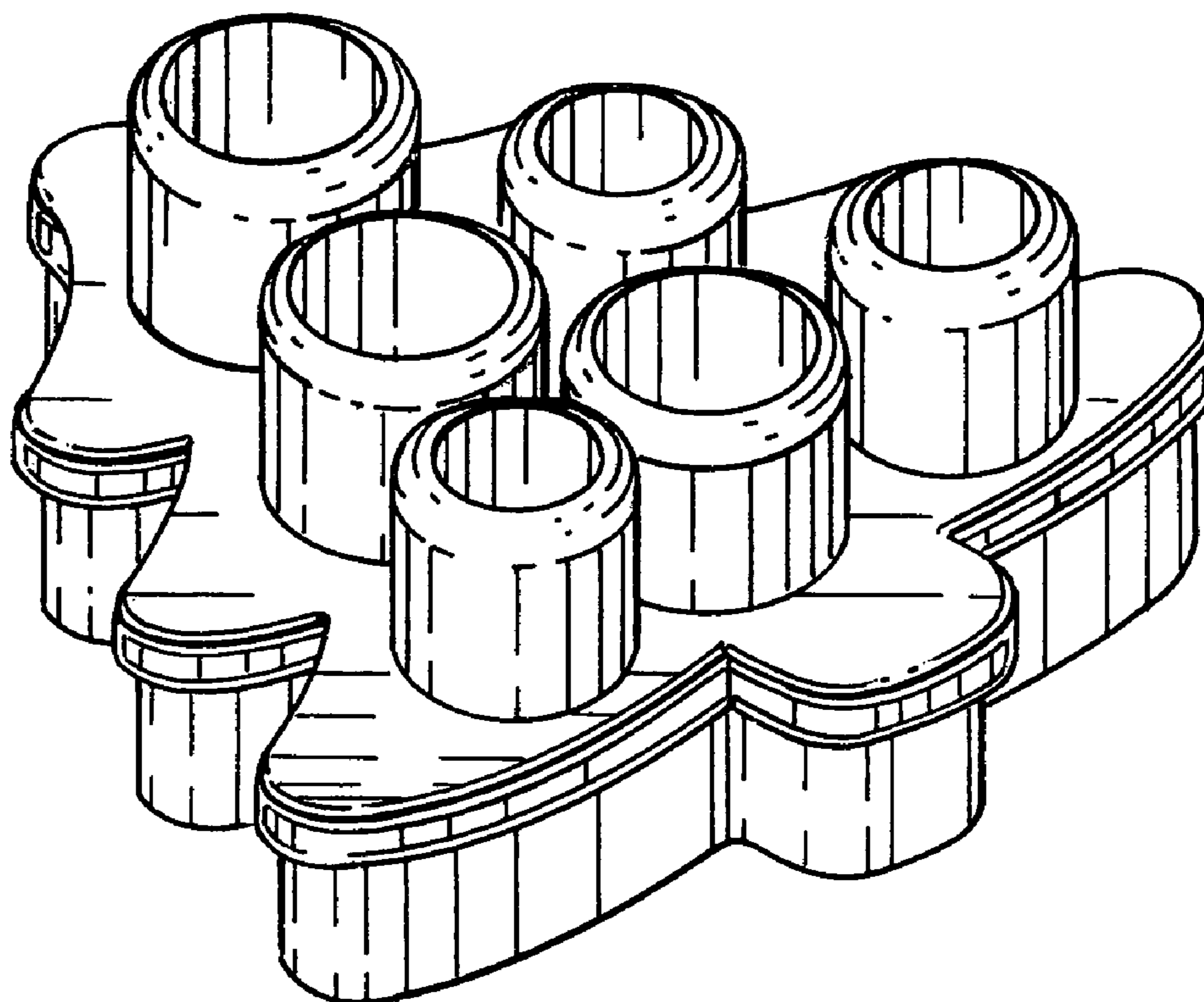
FIG. 4 is a top end view thereof;

FIG. 5 is a rear elevational view thereof;

FIG. 6 is a left side view thereof; and,

FIG. 7 is a right side view thereof.

1 Claim, 3 Drawing Sheets



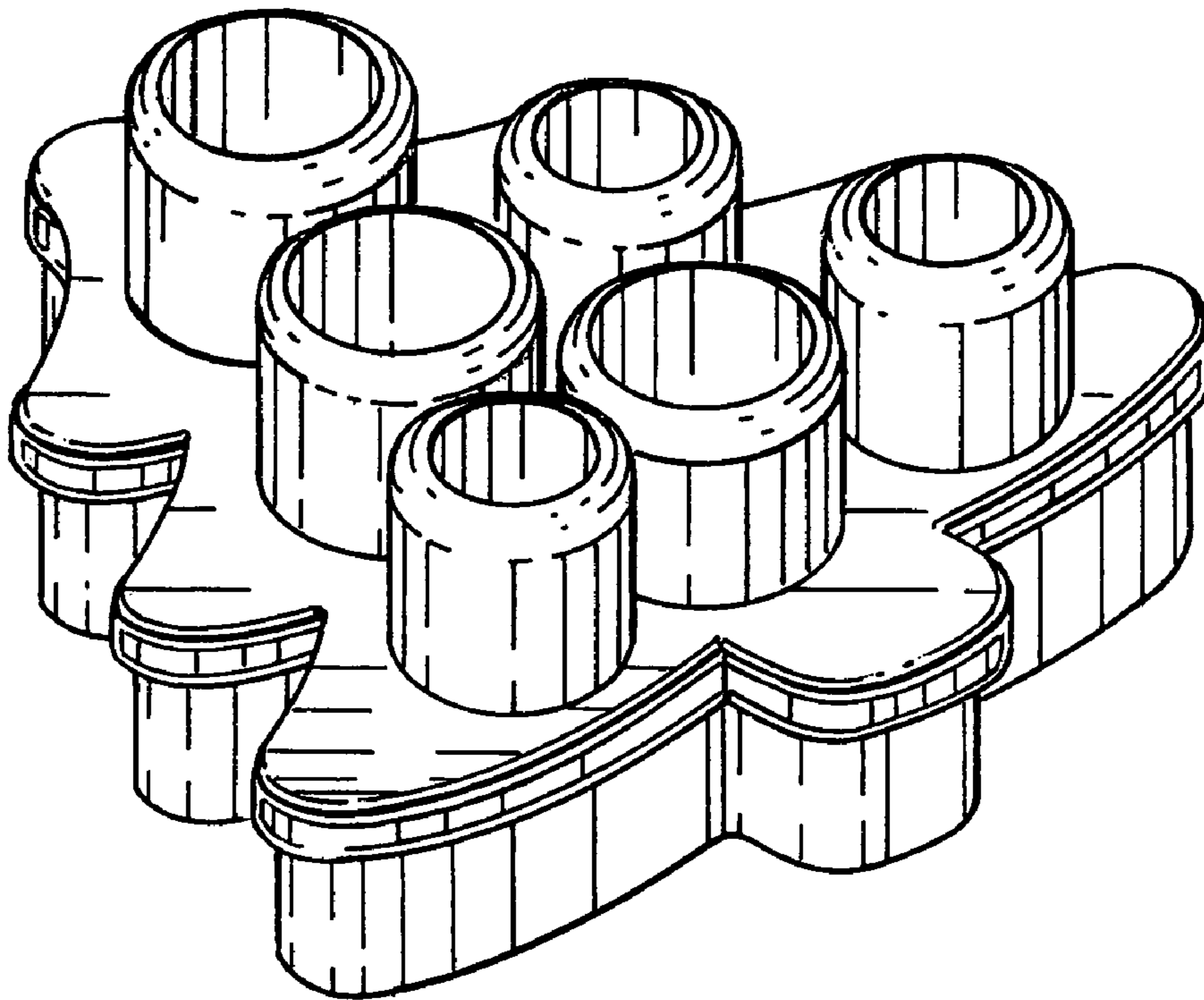


FIG. 1

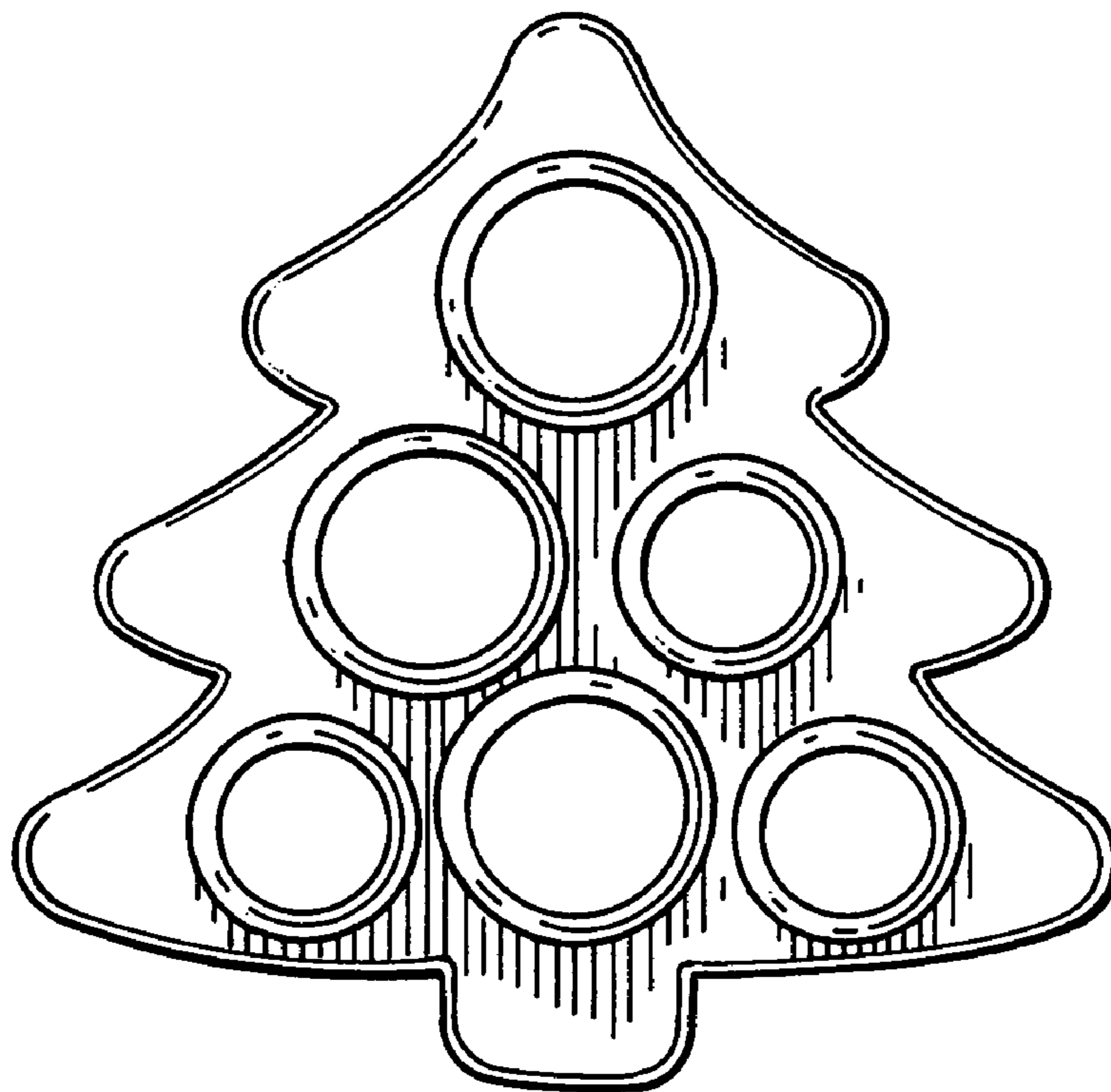


FIG. 2

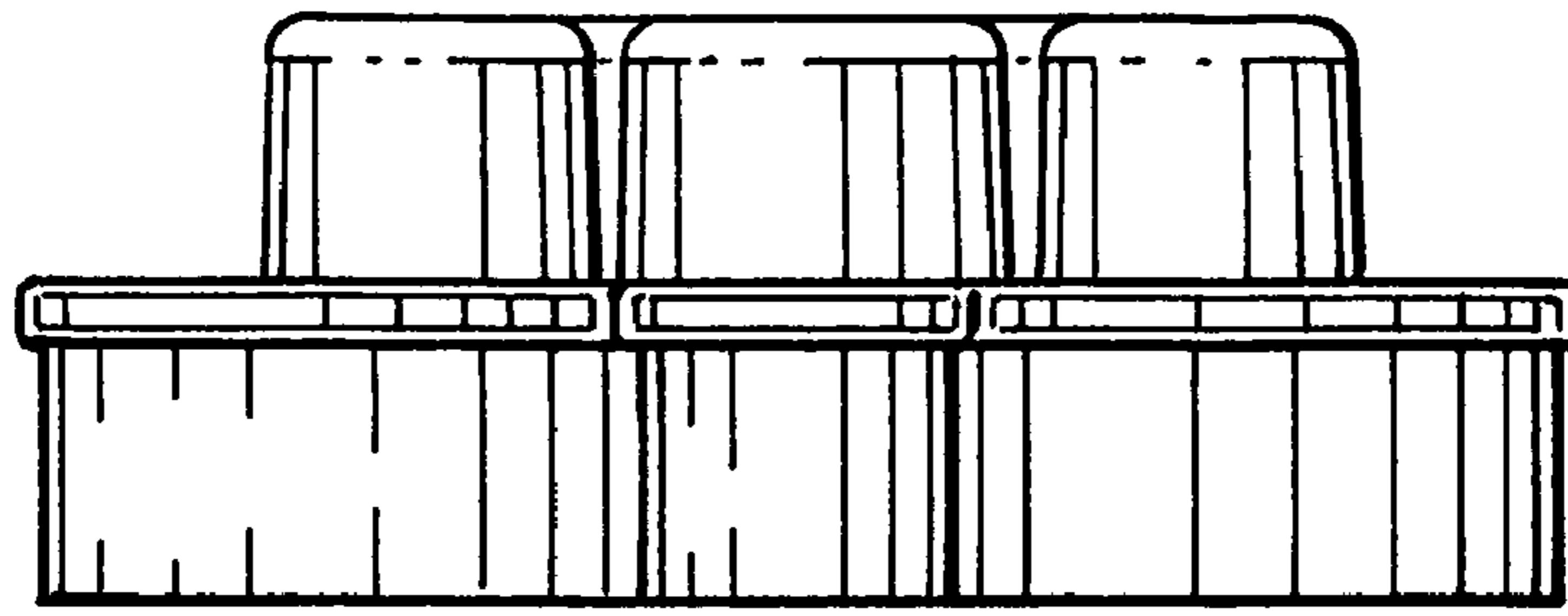


FIG. 3

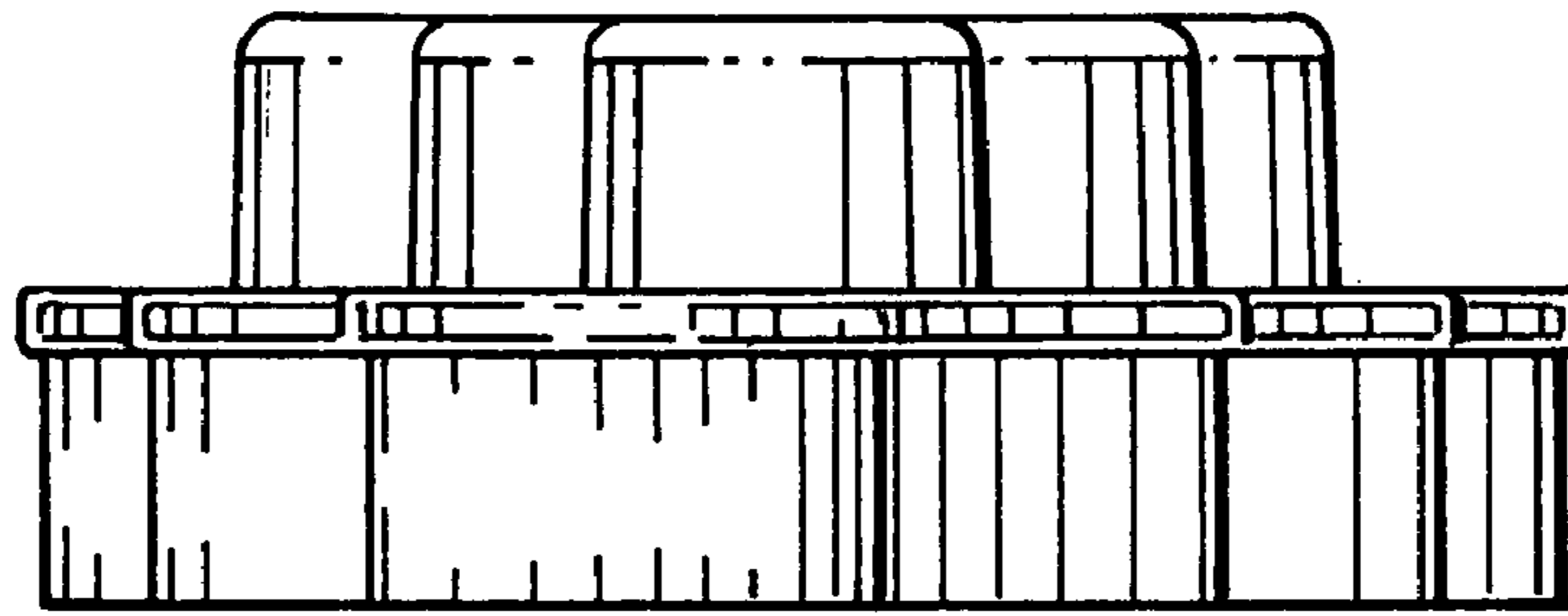


FIG. 4

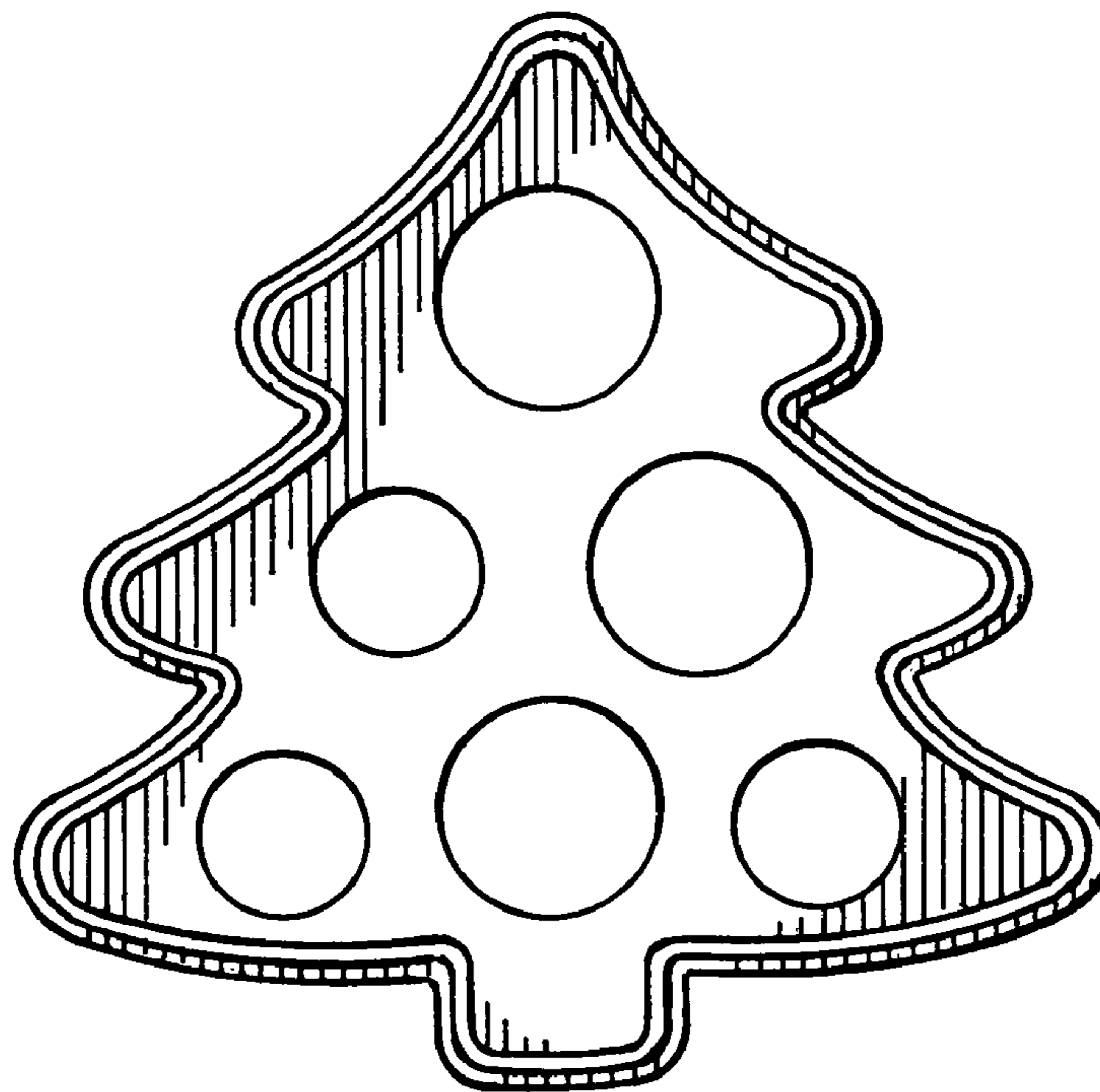


FIG. 5

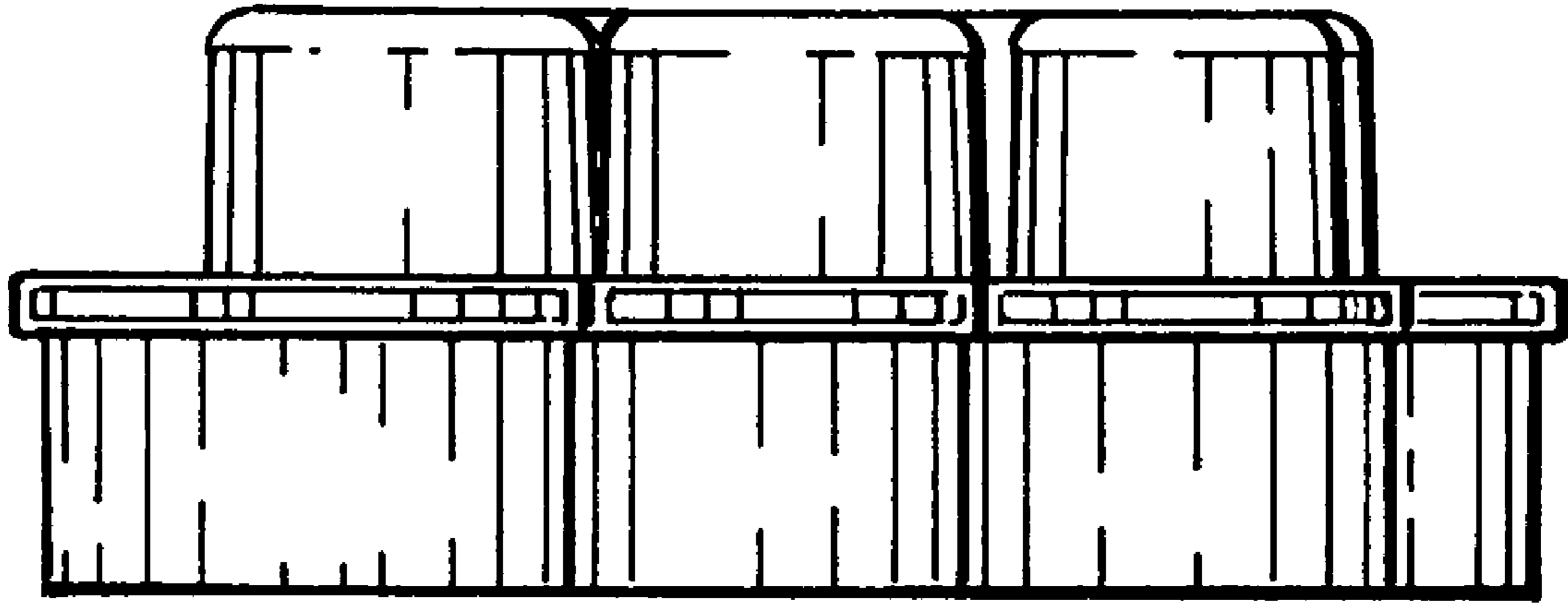


FIG. 6

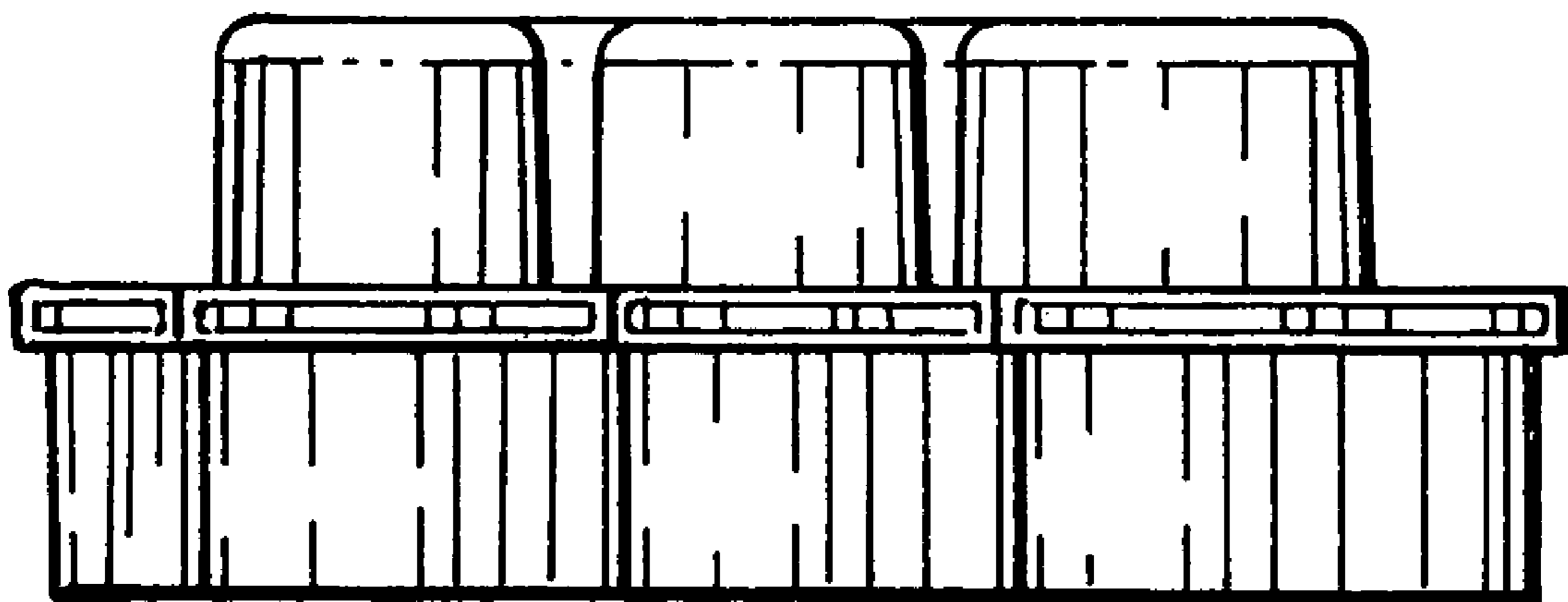


FIG. 7