



US00D628861S

(12) **United States Design Patent**
Lane

(10) **Patent No.:** **US D628,861 S**
(45) **Date of Patent:** **** Dec. 14, 2010**

(54) **POURABLE COLANDER**

D507,939 S * 8/2005 Mitchell, Jr. D7/629
D568,102 S * 5/2008 Ruiz de Az a D7/505

(76) Inventor: **Bradley James Lane**, P.O. Box 262, 203
S. Lincoln, New Sharon, IA (US) 50207

* cited by examiner

(**) Term: **14 Years**

Primary Examiner—Terry A Wallace
(74) *Attorney, Agent, or Firm*—McKee, Voorhees & Sease,
P.L.C.

(21) Appl. No.: **29/358,686**

(22) Filed: **Mar. 31, 2010**

(57) **CLAIM**

(51) **LOC (9) Cl.** **07-04**

I claim the ornamental design for a pourable colander, as shown and described.

(52) **U.S. Cl.** **D7/667**

(58) **Field of Classification Search** D7/665–668;
99/495, 505–510; 100/113, 116, 213, 110,
100/127, 248; 210/464, 470–478, 497.1,
210/498

DESCRIPTION

See application file for complete search history.

FIG. 1 is a perspective view of the pourable colander according to the present invention.

FIG. 2 is a top plan view of the colander.

FIG. 3 is a front elevation view of the colander.

FIG. 4 is a right side elevation view of the colander, with the left side being a minor image of the right side.

FIG. 5 is a back elevation view of the colander; and,

FIG. 6 is a bottom plan view of the colander.

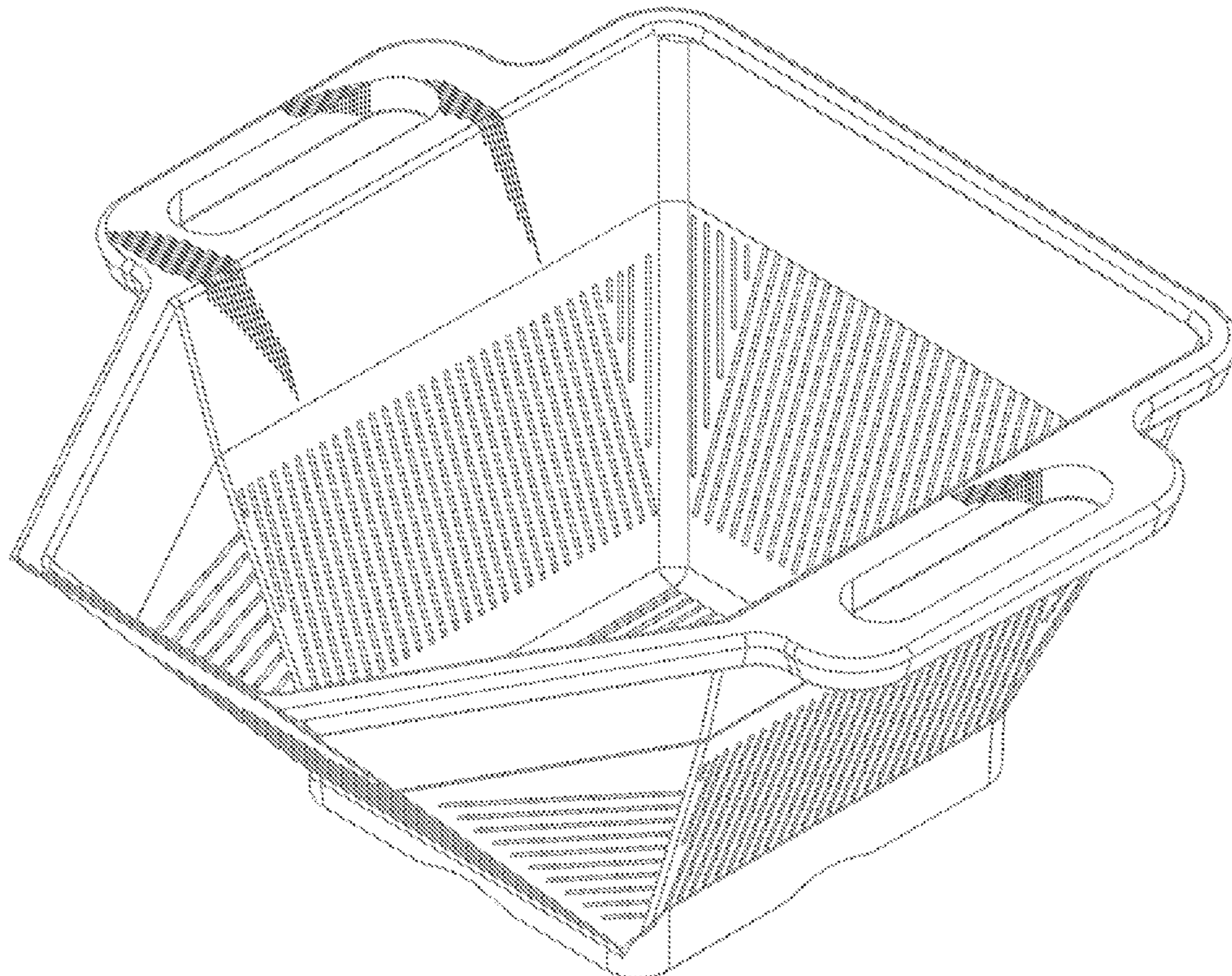
Applicant makes no claim to the structure shown in broken lines (the drainage openings) in the drawings.

(56) **References Cited**

U.S. PATENT DOCUMENTS

1,752,047	A	*	3/1930	Wirt	241/95
D334,119	S	*	3/1993	Giugiaro	D7/667
D361,272	S	*	8/1995	Craft et al.	D7/698
D381,781	S	*	7/1997	Clay	D32/35
D385,756	S	*	11/1997	Licari	D7/667
D396,609	S	*	8/1998	Licari	D7/667
D432,368	S	*	10/2000	Kaposi et al.	D7/667

1 Claim, 6 Drawing Sheets



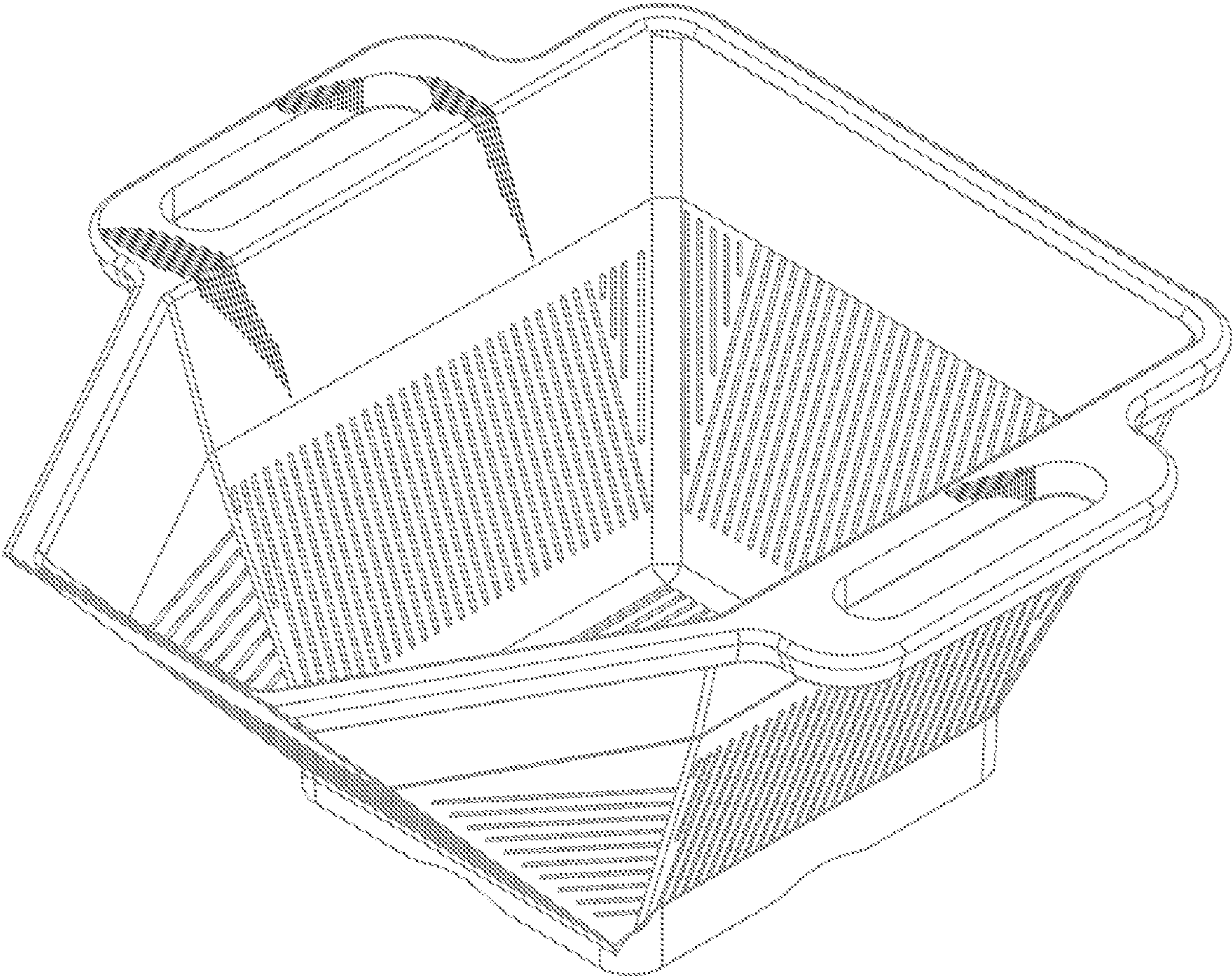


Fig. 1

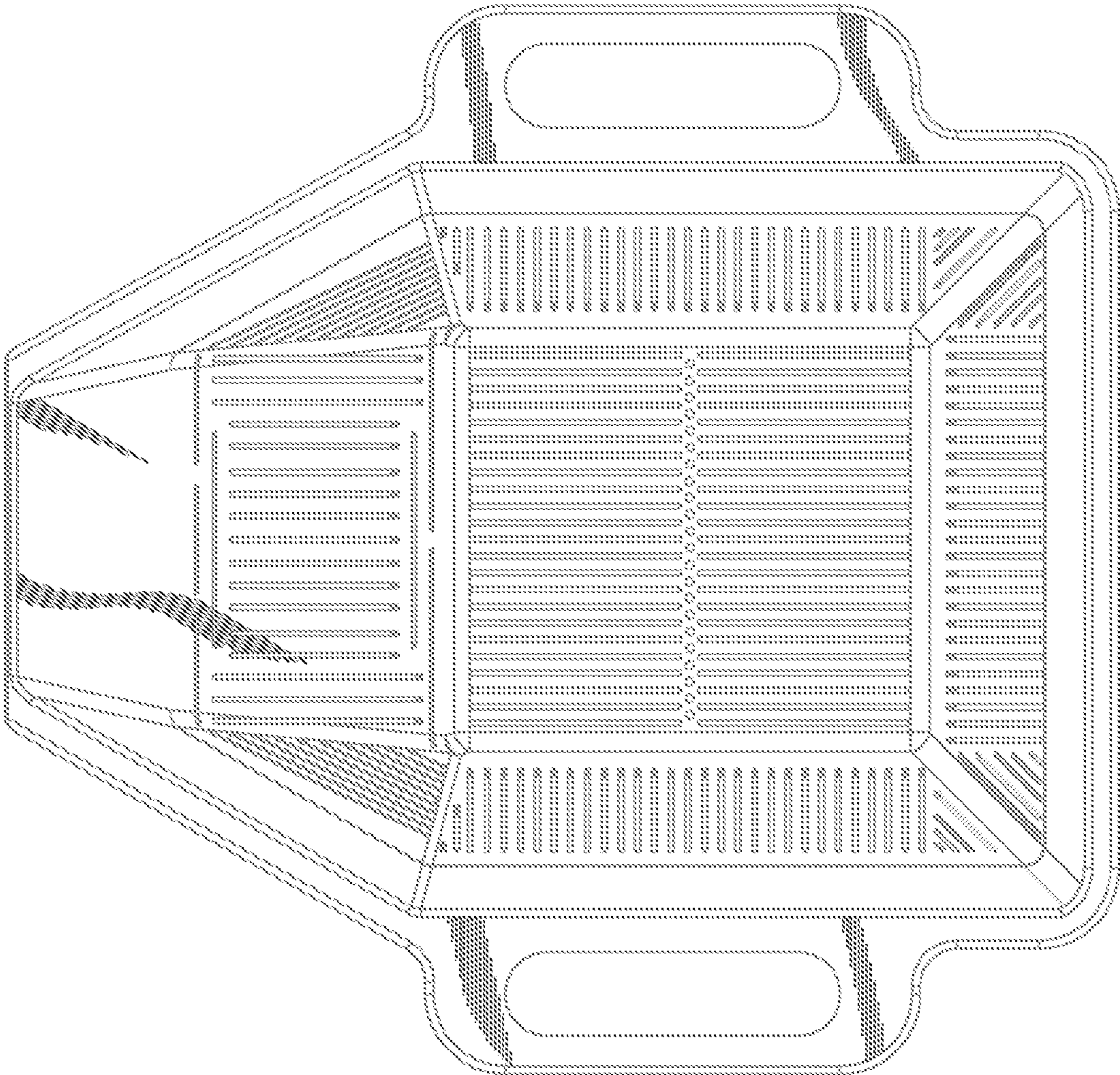


Fig. 2

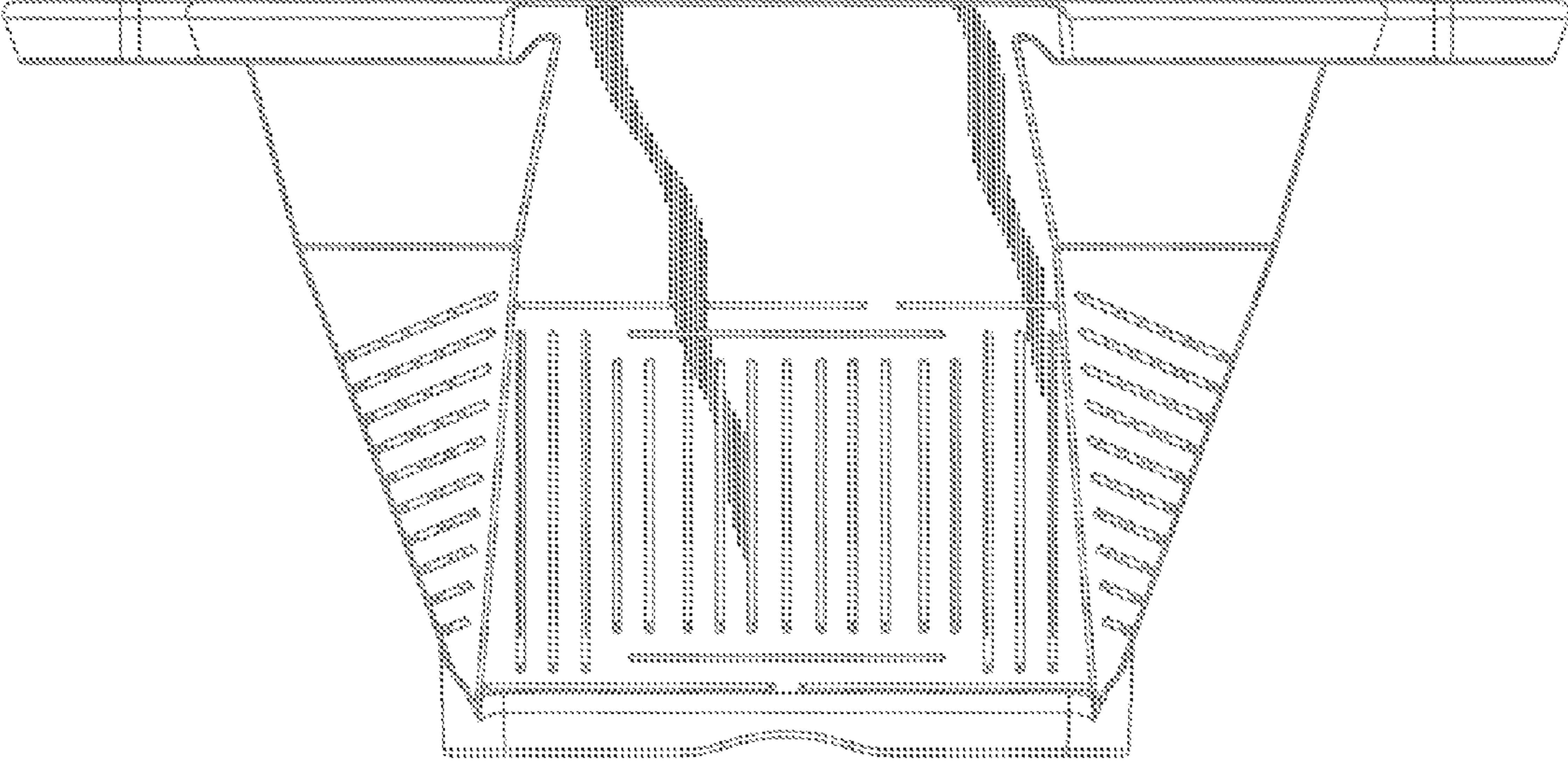


Fig. 3

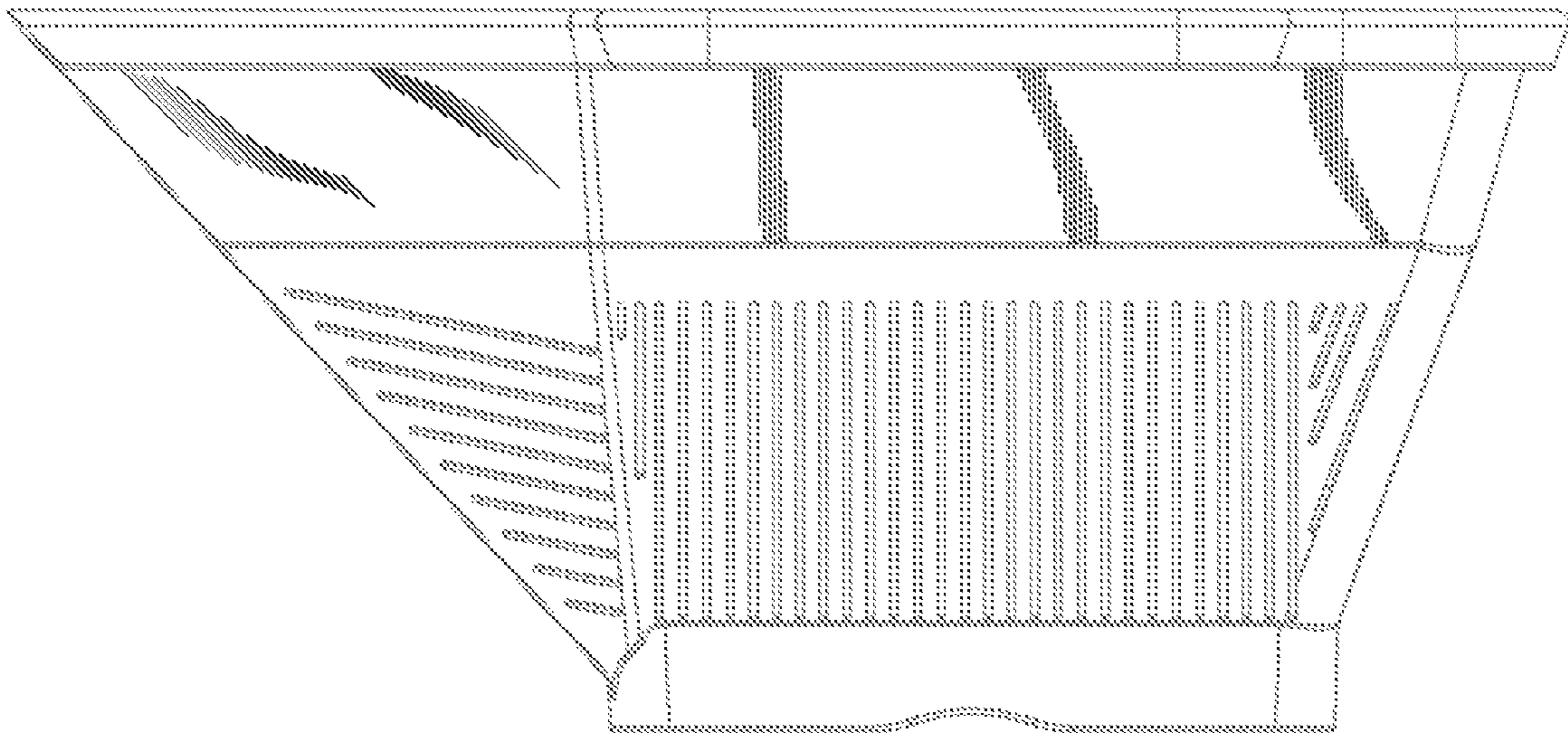


Fig. 4

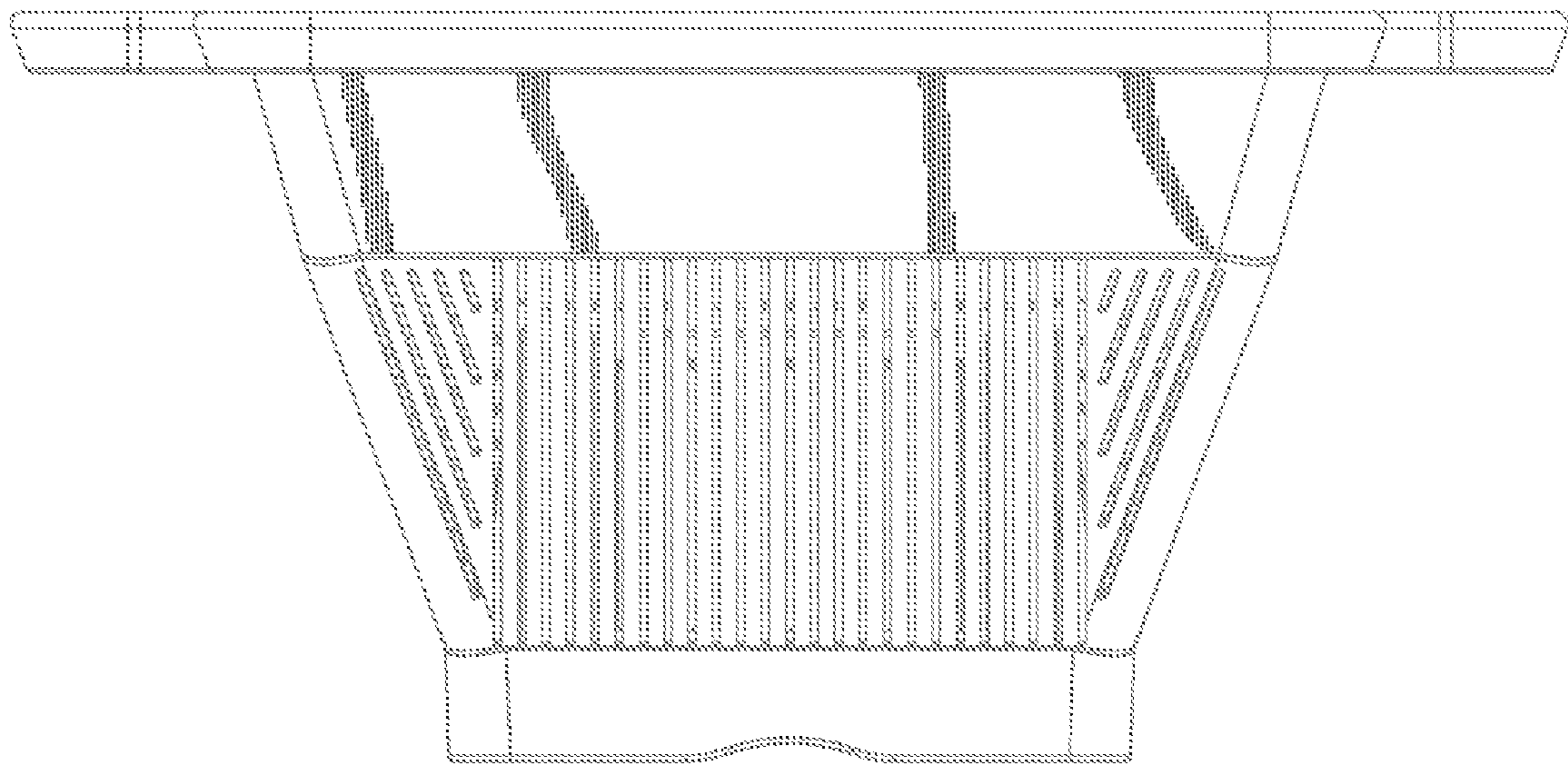


Fig. 5

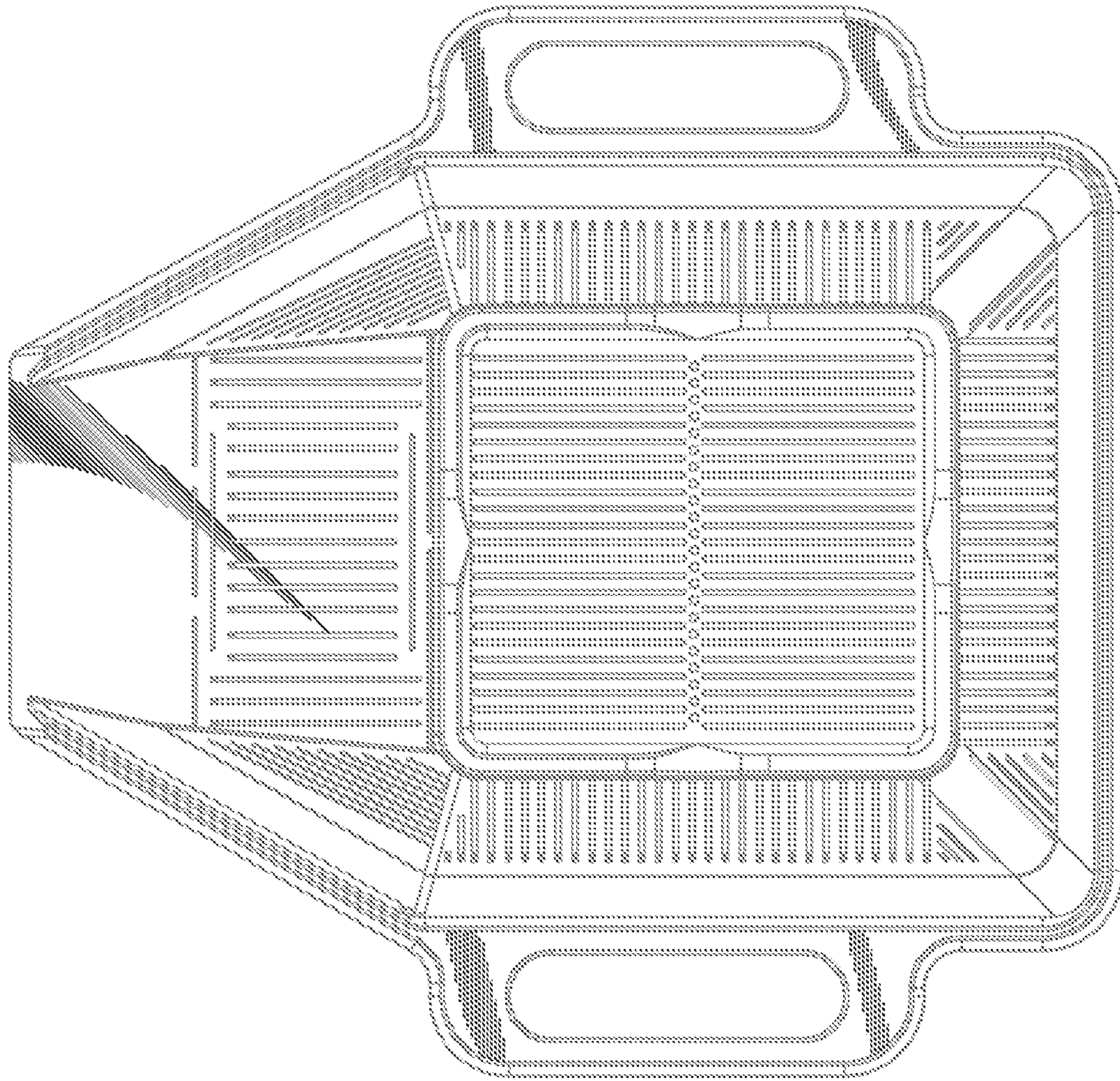


Fig. 6