

US00D628860S

(12) **United States Design Patent**
Reay

(10) **Patent No.:** **US D628,860 S**

(45) **Date of Patent:** **** Dec. 14, 2010**

(54) **GARLIC PRESS**

(76) **Inventor:** **Gavin Reay**, 104 Felsham Rd., London
(GB) SW15 1DQ

(**) **Term:** **14 Years**

(21) **Appl. No.:** **29/360,565**

(22) **Filed:** **Apr. 28, 2010**

(51) **LOC (9) Cl.** **07-04**

(52) **U.S. Cl.** **D7/665**

(58) **Field of Classification Search** D7/665-668;
294/1.1; 241/100; 100/110, 234, 243, 113,
100/116, 127, 248; 210/464, 470-478

See application file for complete search history.

(56) **References Cited**

U.S. PATENT DOCUMENTS

D391,440 S *	3/1998	Cousins	D7/360
D512,881 S *	12/2005	Bertulis et al.	D7/665
D513,942 S *	1/2006	de Groote	D7/665

* cited by examiner

Primary Examiner—Terry A Wallace

(74) *Attorney, Agent, or Firm*—Eugene M. Cummings, P.C.

(57) **CLAIM**

The ornamental design for a garlic press, as shown and described.

DESCRIPTION

FIG. 1 is a top, front perspective view of a garlic press showing my new design.

FIG. 2 is a front view thereof.

FIG. 3 is another side view thereof.

FIG. 4 is rear view thereof.

FIG. 5 is a bottom plan view thereof.

FIG. 6 is a top plan view thereof; and,

FIG. 7 is a bottom perspective view thereof.

1 Claim, 2 Drawing Sheets

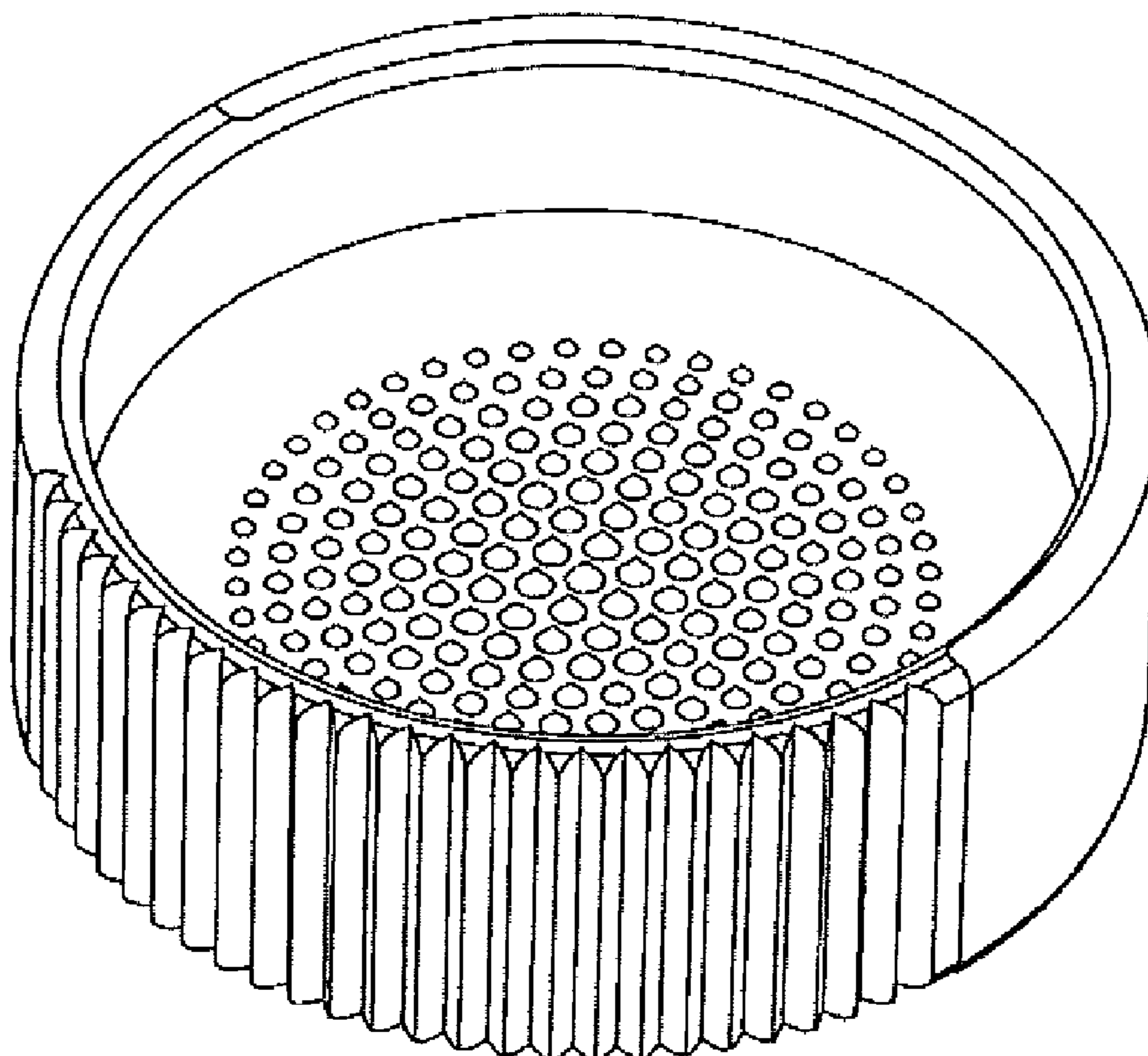


Figure 1

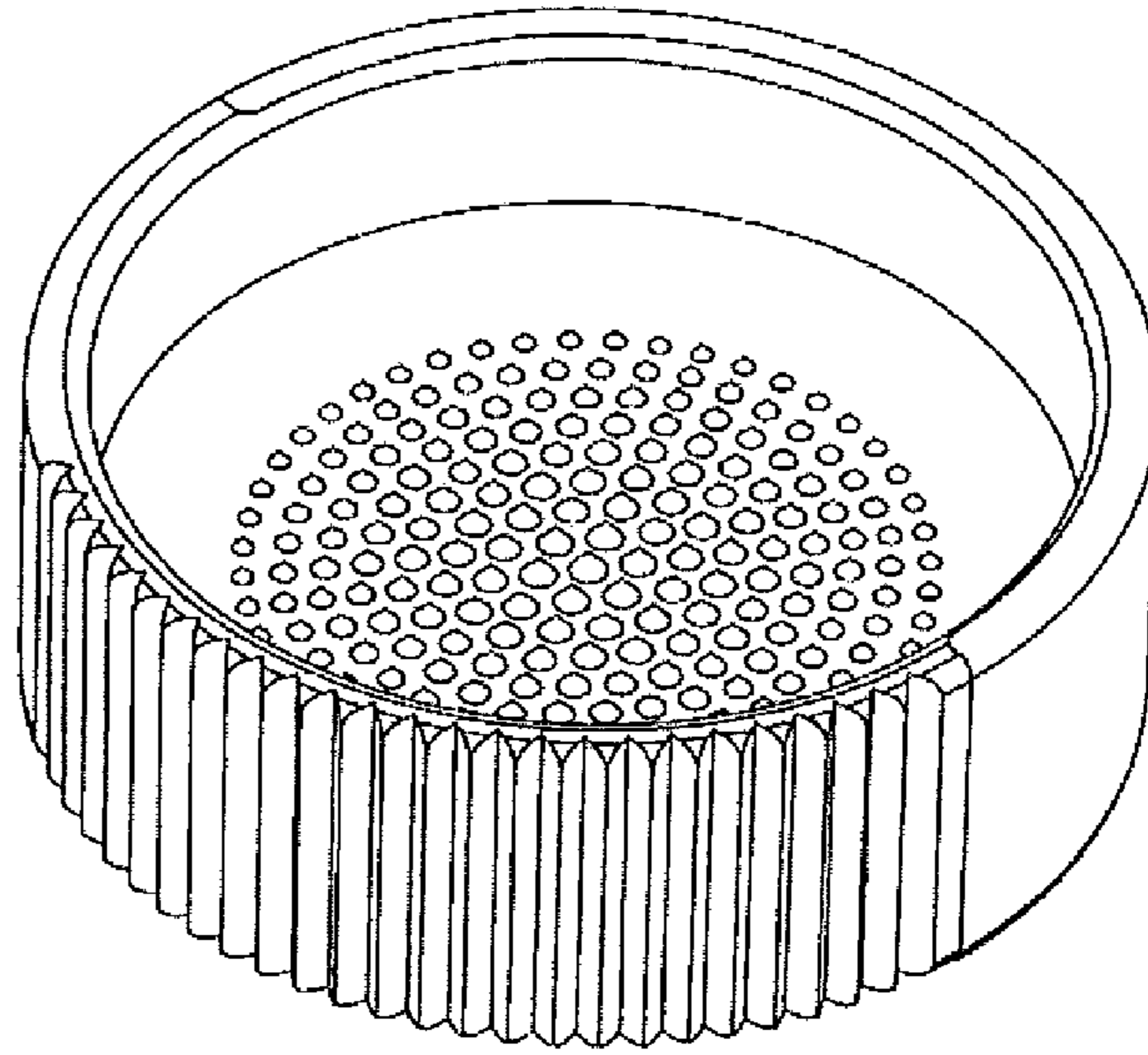


Figure 2

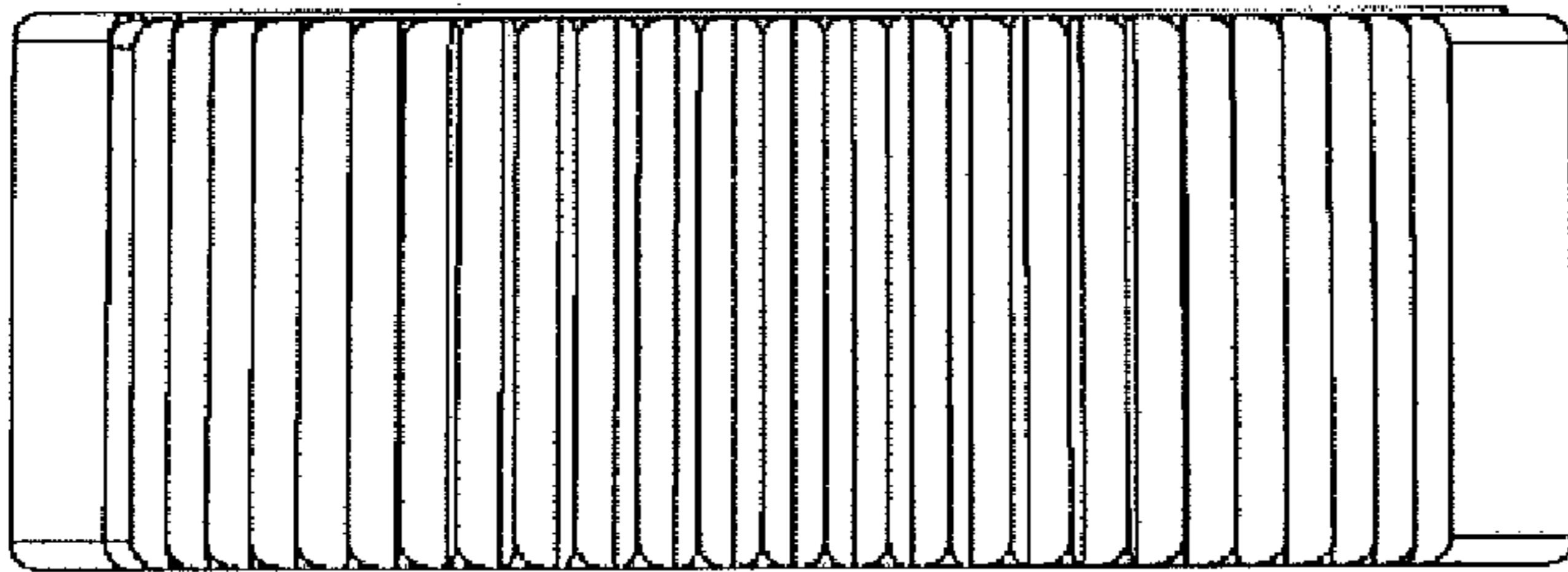


Figure 3

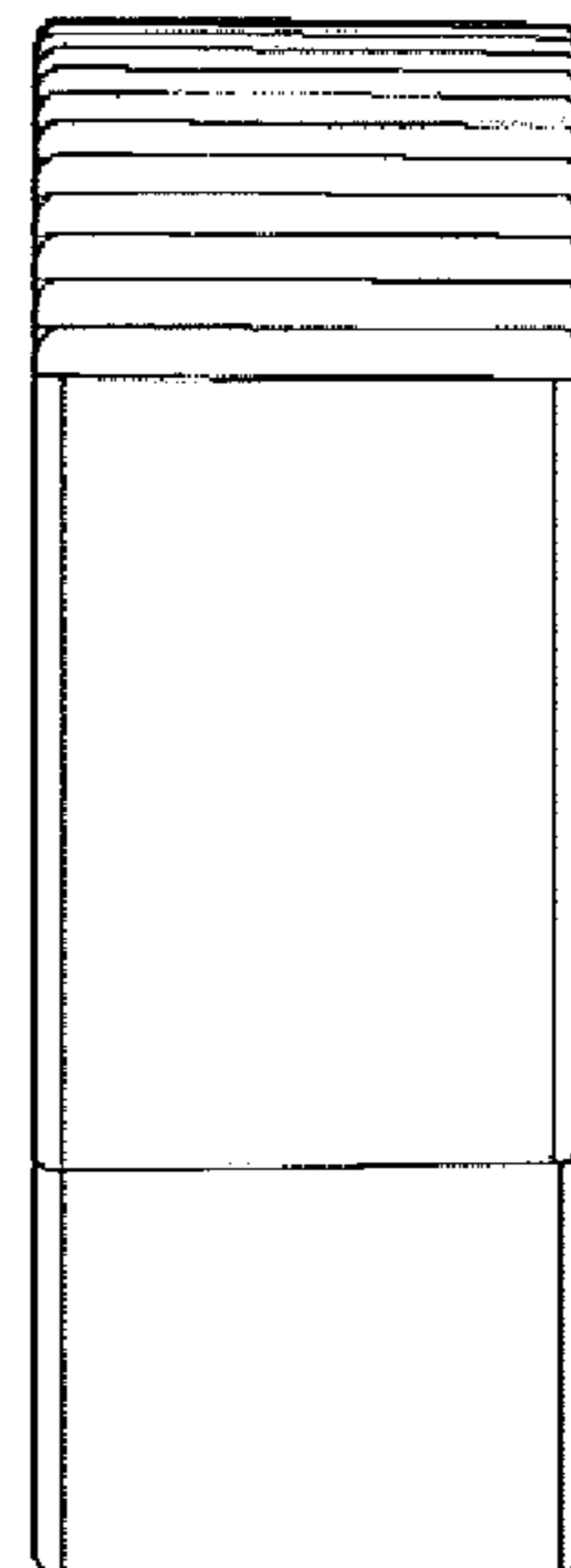
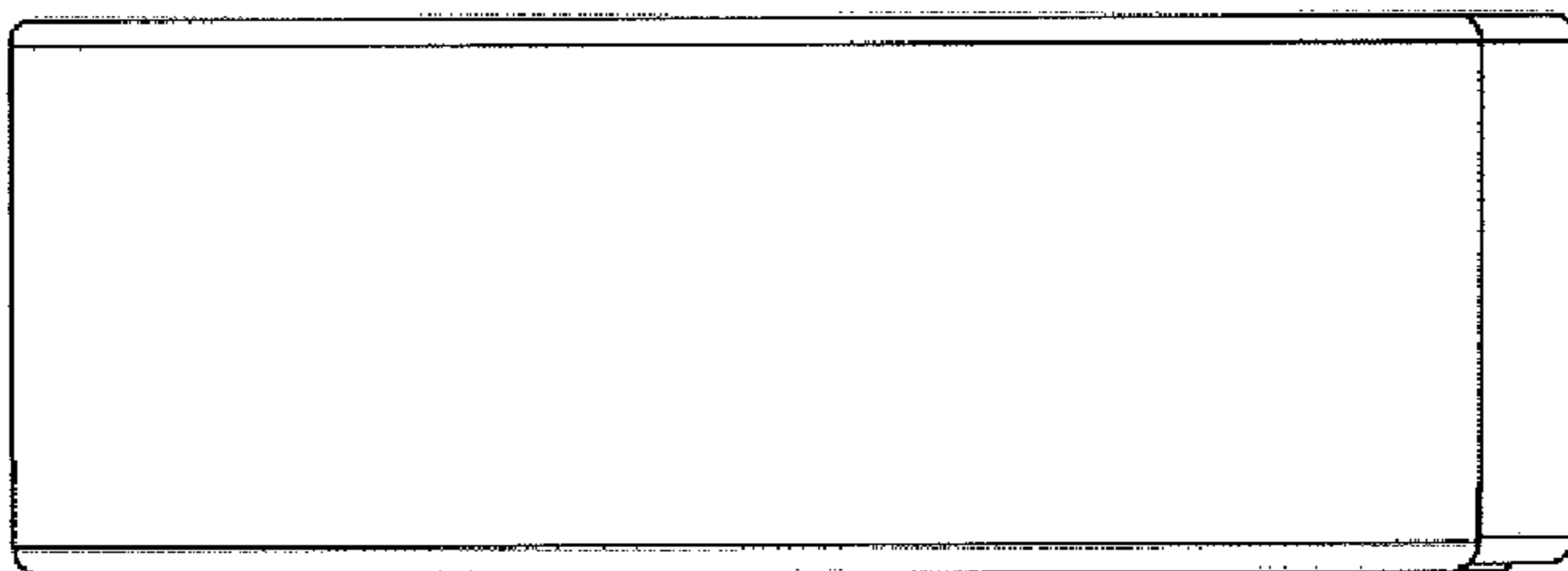


Figure 4



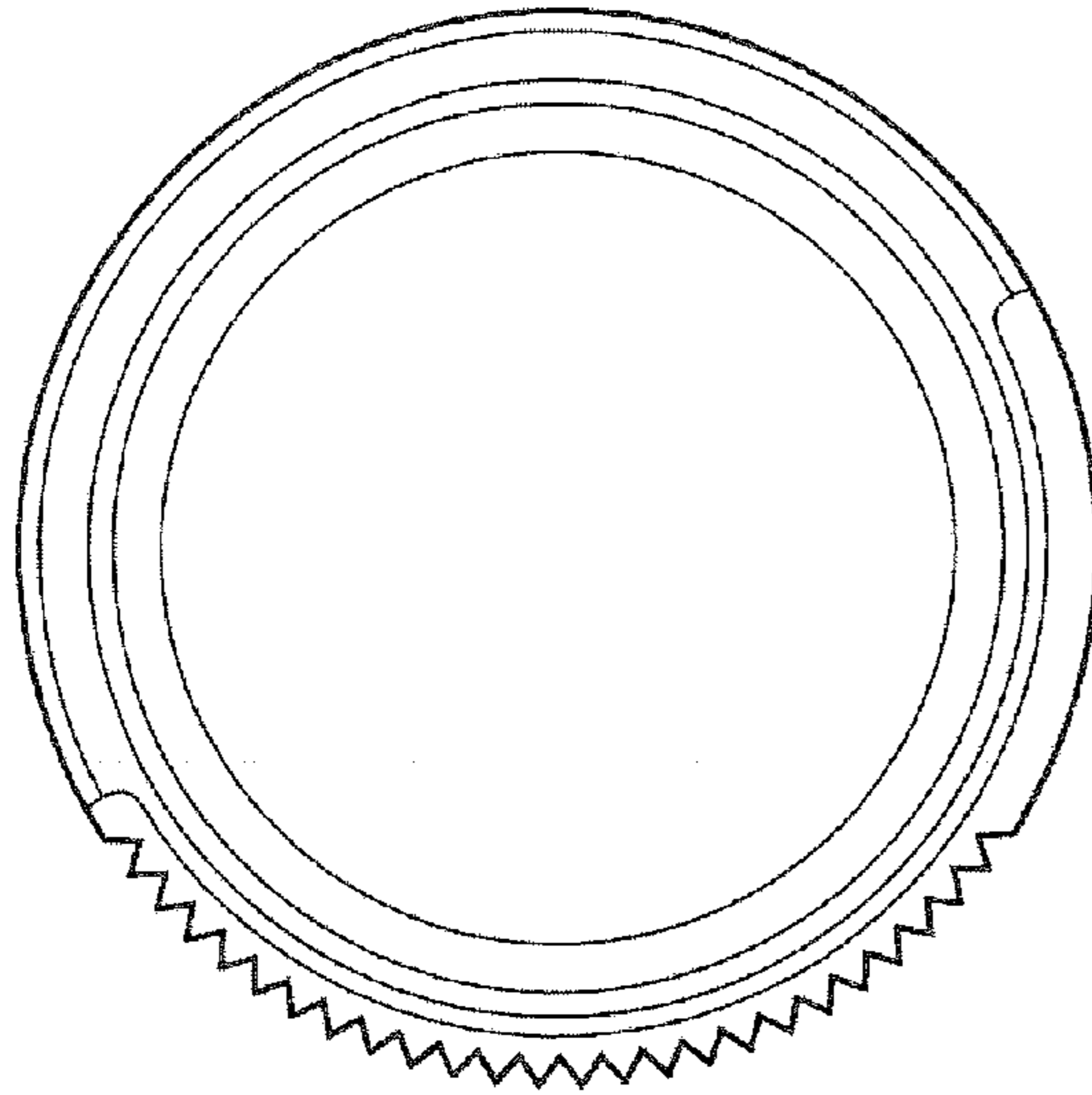


Figure 5

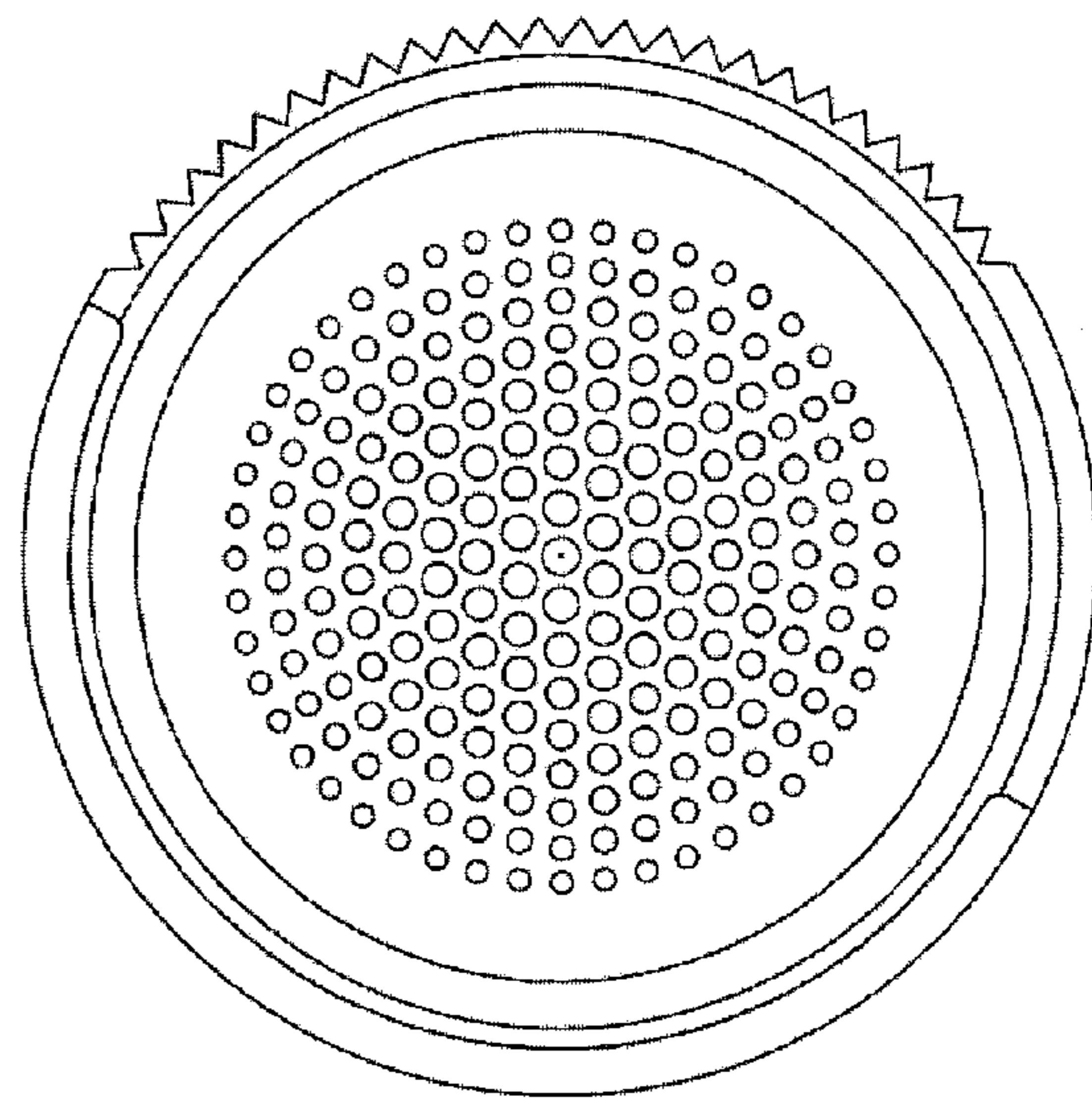


Figure 6

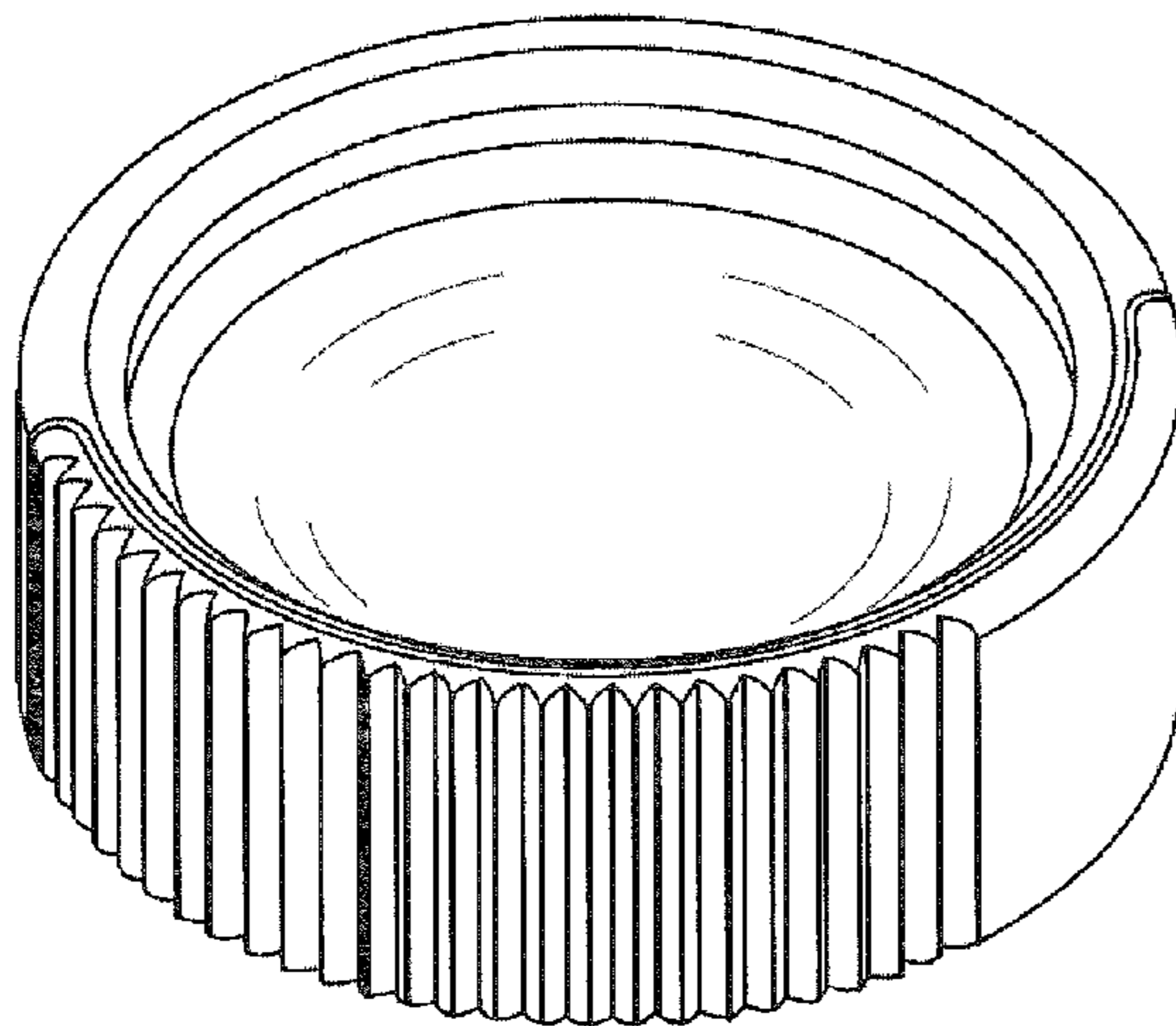


Figure 7