



US00D628857S

(12) **United States Design Patent**
Tatsukawa

(10) **Patent No.:** **US D628,857 S**

(45) **Date of Patent:** **** Dec. 14, 2010**

(54) **VACUUM BOTTLE**

(75) Inventor: **Naoko Tatsukawa**, Osaka (JP)

(73) Assignee: **Zojirushi Corporation** (JP)

(**) Term: **14 Years**

(21) Appl. No.: **29/357,058**

(22) Filed: **Mar. 5, 2010**

(30) **Foreign Application Priority Data**

Sep. 8, 2009 (JP) 2009-020681

(51) **LOC (9) Cl.** **07-01**

(52) **U.S. Cl.** **D7/608**

(58) **Field of Classification Search** D7/509-511,
D7/605-608; D9/500, 503, 504, 667, 542,
D9/549, 516, 538; 215/379-382, 12.1, 12.2,
215/13.1, 11.1, 11.6; 220/592.2, 592.16,
220/592.01, 592.27, 660, 669-673, 675

See application file for complete search history.

(56) **References Cited**

U.S. PATENT DOCUMENTS

D488,675 S * 4/2004 Moore D7/608

D533,032 S * 12/2006 Liu et al. D7/608

* cited by examiner

Primary Examiner—Terry A Wallace

(74) *Attorney, Agent, or Firm*—Saidman DesignLaw Group

(57) **CLAIM**

The ornamental design for a vacuum bottle, as shown and described.

DESCRIPTION

FIG. 1 is a perspective view of a vacuum bottle showing my new design;

FIG. 2 is a front view thereof, the opposite rear view being mirror image thereof;

FIG. 3 is a top plan view thereof;

FIG. 4 is a bottom view thereof;

FIG. 5 is a left side elevation thereof, the opposite right side elevation being mirror image thereof;

FIG. 6 is a front view removed a transparent cover and a bottom part thereof;

FIG. 7 is a bottom view removed the transparent cover and the bottom part thereof;

FIG. 8 is a perspective view removed the transparent cover and the bottom part thereof; and,

FIG. 9 is a perspective view of a vacuum bottle body thereof.

The transparent cover and body of the claimed design have been shown separately for clarity of illustration.

1 Claim, 9 Drawing Sheets

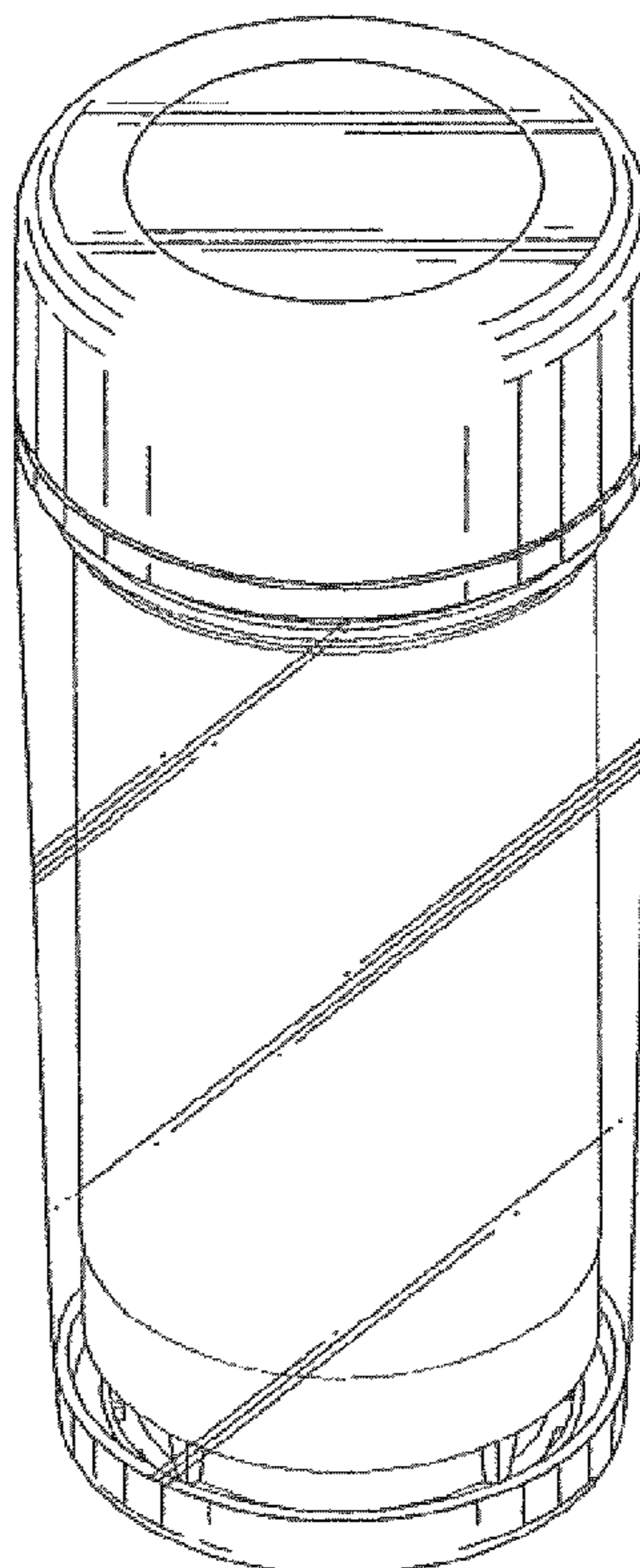


Fig. 1

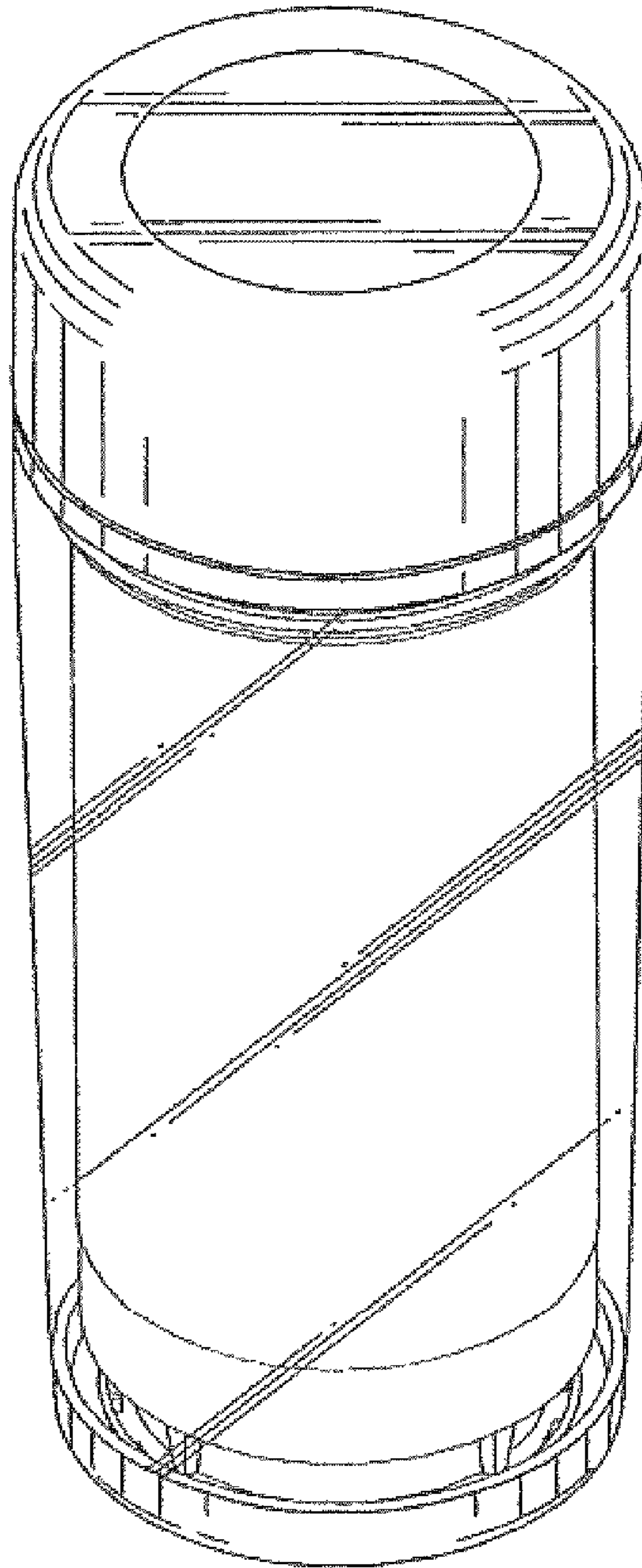


Fig. 2

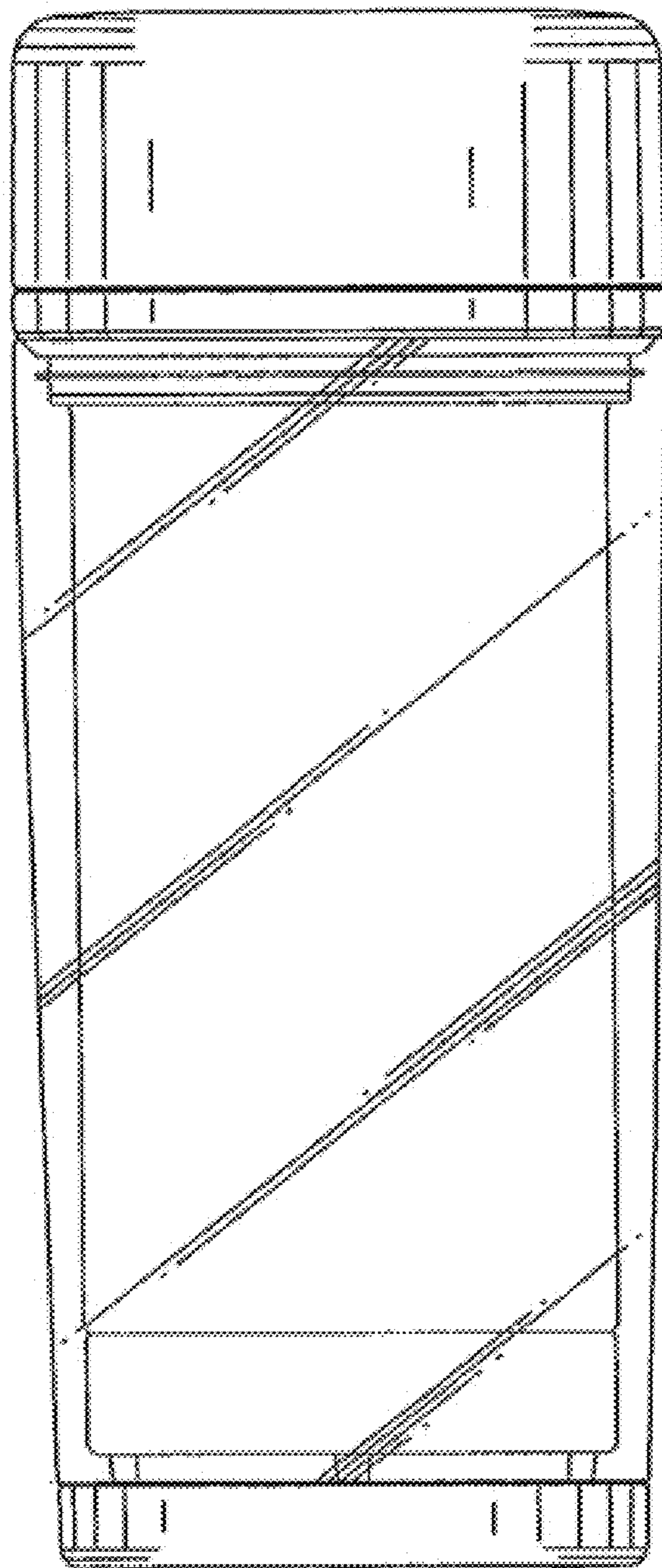


Fig. 3

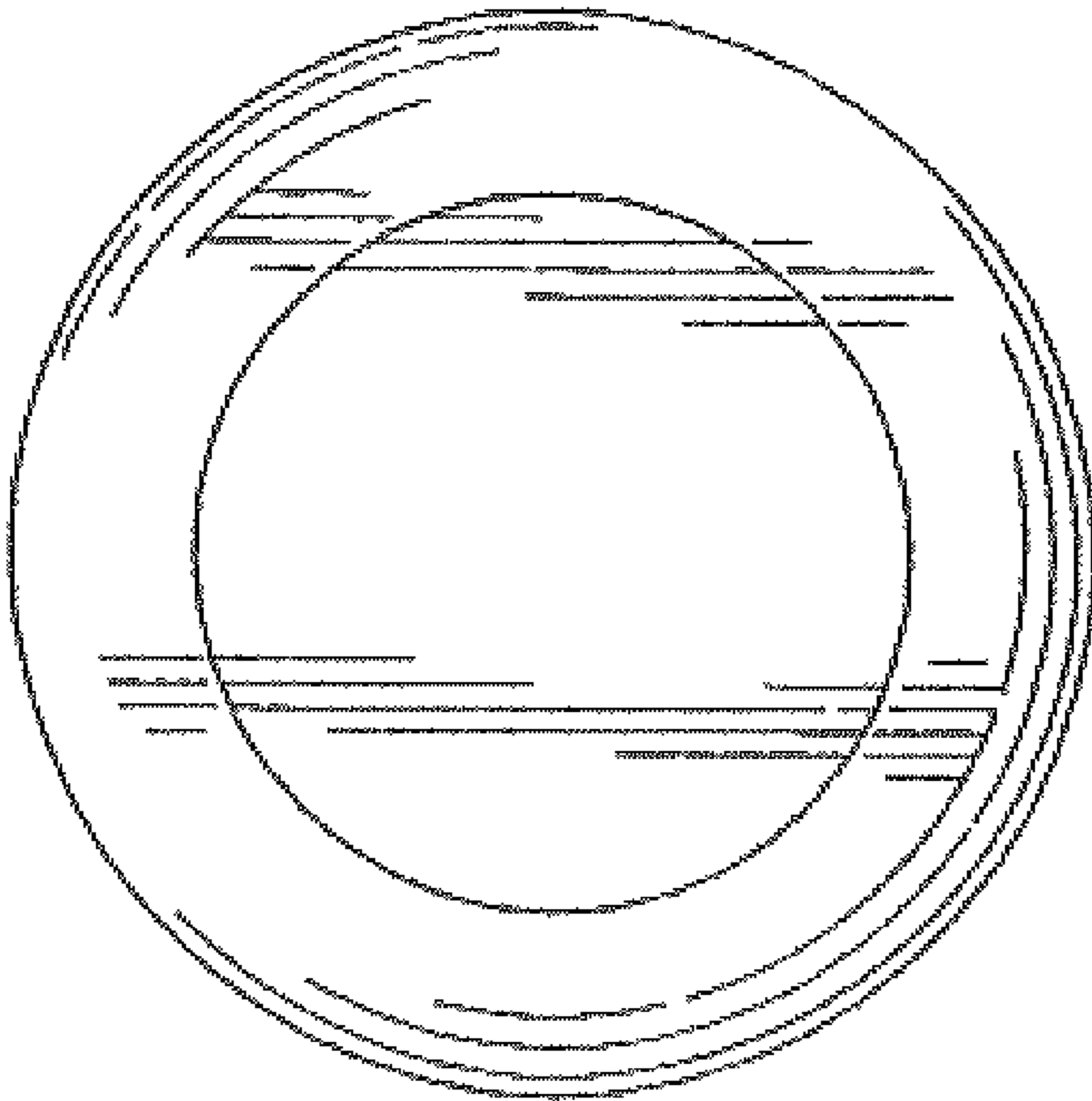


Fig. 4

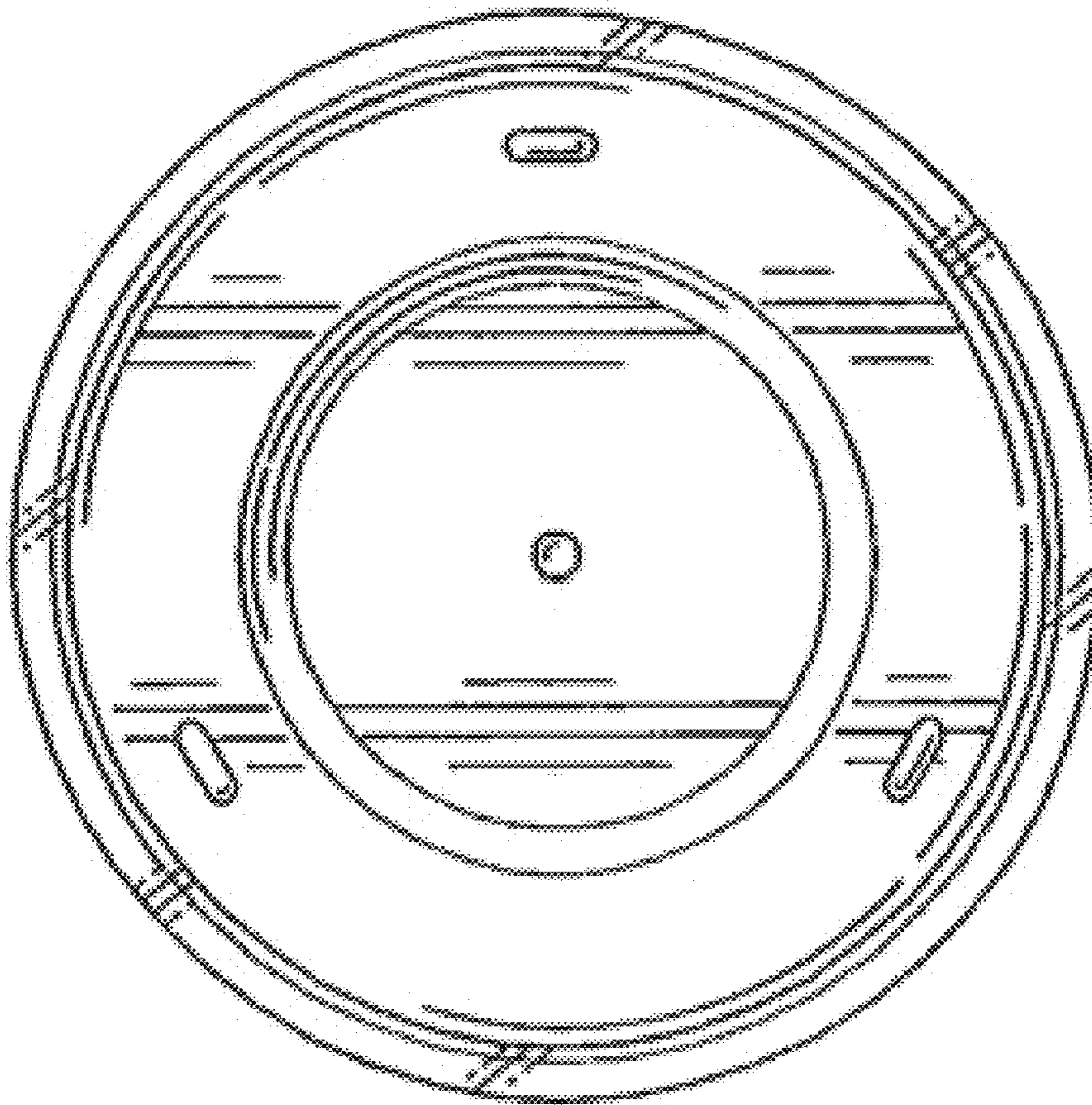


Fig. 5

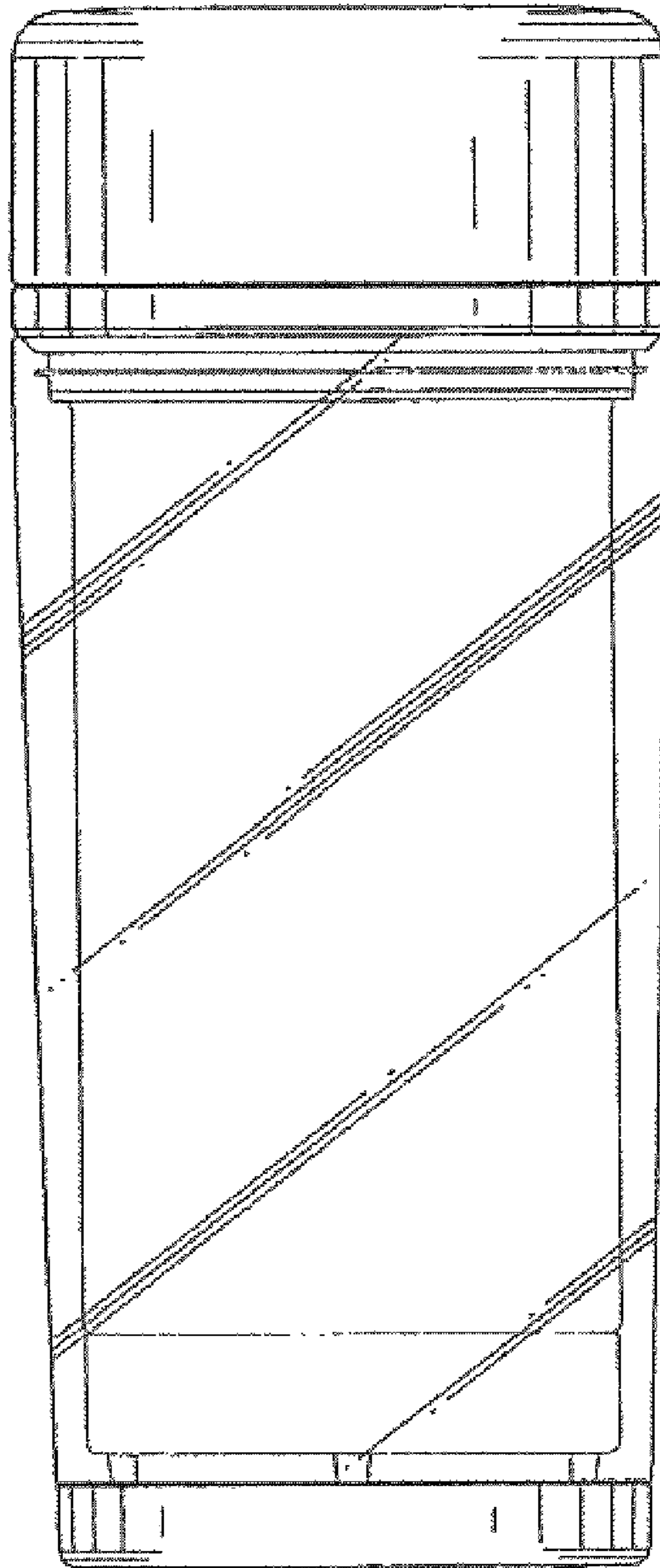


Fig. 6

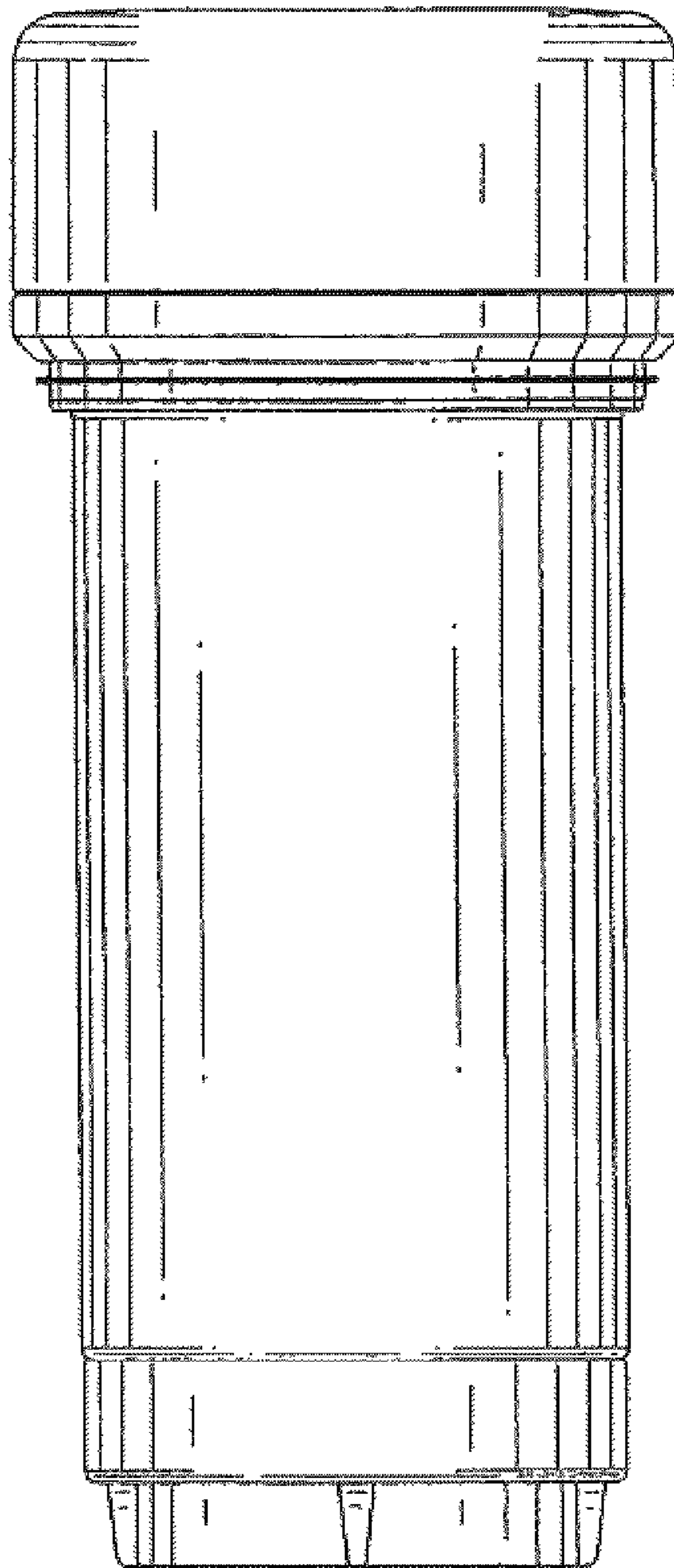


Fig. 7

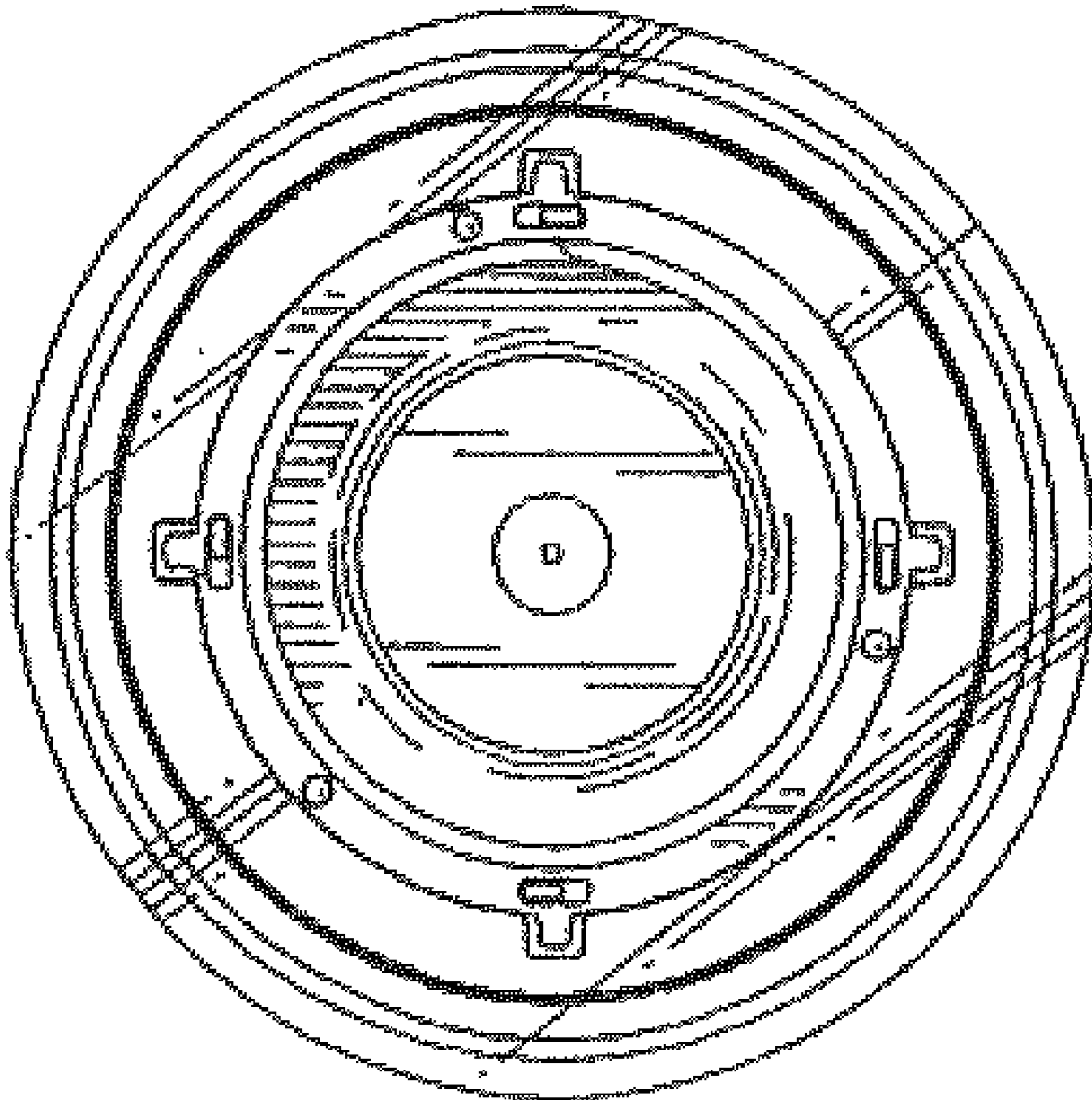


Fig. 8

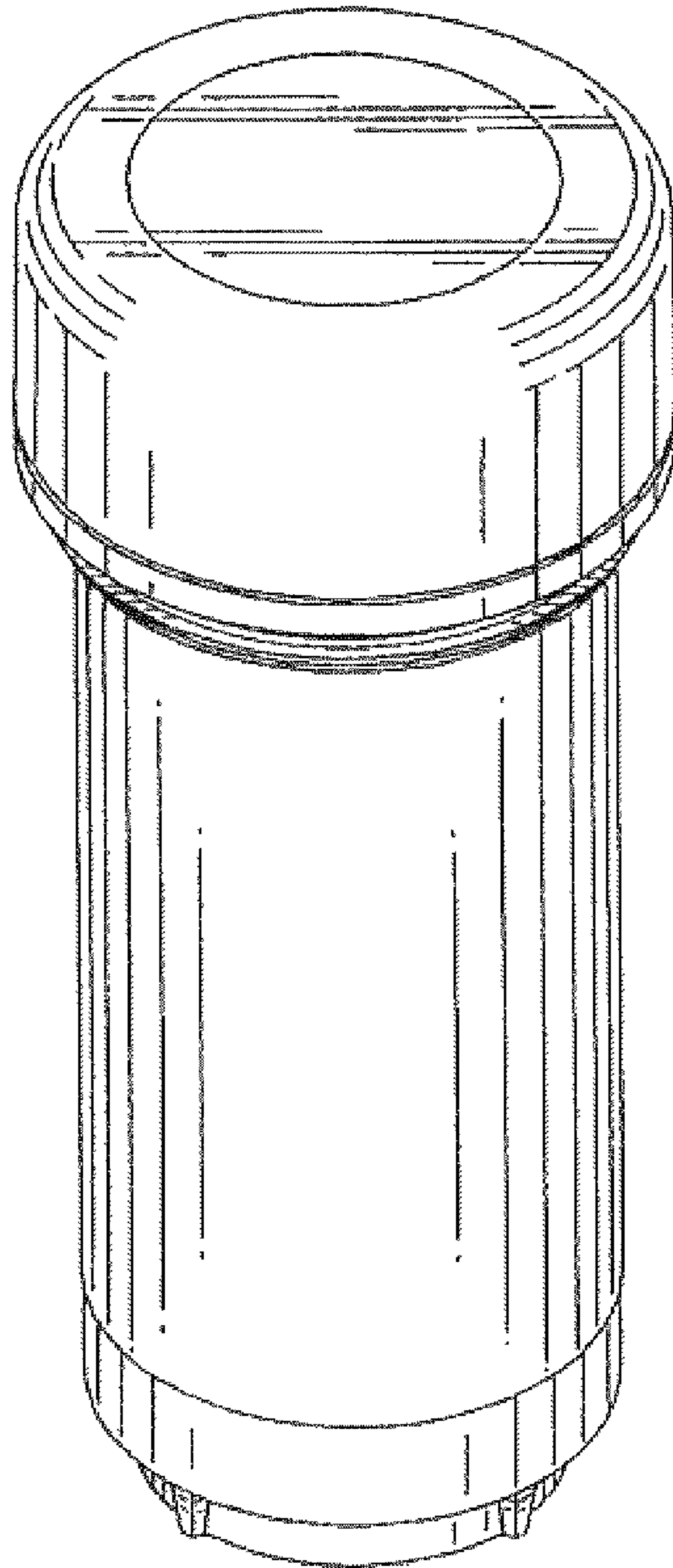


Fig. 9

