



US00D628854S

(12) **United States Design Patent**
Brattoli et al.

(10) **Patent No.:** **US D628,854 S**

(45) **Date of Patent:** **** Dec. 14, 2010**

(54) **FOOD HEATING PELLET**

(75) Inventors: **Pietro Brattoli**, Neckartenzlingen (DE);
Jorge Baez, Lake Forest, CA (US);
Charles W. Jarvis, Irvine, CA (US)

(73) Assignee: **Cambro Manufacturing Company**,
Huntington Beach, CA (US)

(**) Term: **14 Years**

(21) Appl. No.: **29/362,253**

(22) Filed: **May 21, 2010**

(51) **LOC (9) Cl.** **07-02**

(52) **U.S. Cl.** **D7/407**

(58) **Field of Classification Search** D7/362–363,
D7/365, 367, 402, 409, 354, 357, 359, 403,
D7/407, 368, 360; 99/339–340, 422, 447–448;
126/211, 40, 214 R, 39 H; 220/573.1; D23/419
See application file for complete search history.

(56) **References Cited**

U.S. PATENT DOCUMENTS

D162,573 S *	3/1951	Bleil et al.	D7/403
D215,514 S *	10/1969	Betzer	D7/363
D250,627 S *	12/1978	McNair et al.	D7/363
D266,307 S *	9/1982	Lam	D7/360
D270,805 S *	10/1983	Goldsworthy	D7/363
D300,500 S *	4/1989	Pickhan	D7/367
4,858,590 A *	8/1989	Bailey	126/39 H
D305,290 S *	1/1990	Springer	D7/367
D323,385 S *	1/1992	Higgins et al.	D7/407
D326,906 S *	6/1992	McWilliams et al.	D23/419
D326,982 S *	6/1992	Schreder	D7/407
D336,009 S *	6/1993	Tringali et al.	D7/367
D369,516 S *	5/1996	Higgins	D7/407
D372,638 S *	8/1996	McWilliams	D7/407
D378,485 S *	3/1997	Pena Angarita	D7/362

D388,659 S *	1/1998	Doyle et al.	D7/407
D401,107 S *	11/1998	Rimback	D7/368
D403,554 S *	1/1999	Asbury	D7/362
D431,964 S *	10/2000	Carter	D7/407
D432,855 S *	10/2000	Cho et al.	D7/363
D432,863 S *	10/2000	Carter	D7/407
D433,280 S *	11/2000	Carter	D7/407
D433,281 S *	11/2000	Carter	D7/407
D440,112 S *	4/2001	Su	D7/367
D491,013 S *	6/2004	Yang	D7/367
D557,981 S *	12/2007	Ross	D7/407
D616,701 S *	6/2010	Lee	D7/402
D620,750 S *	8/2010	Lee	D7/402

* cited by examiner

Primary Examiner—T. Chase Nelson

Assistant Examiner—Mark Cavanna

(74) *Attorney, Agent, or Firm*—George F. Bethel

(57) **CLAIM**

We claim the ornamental design for a food heating pellet, as shown and described.

DESCRIPTION

FIG. 1 is a perspective top view of the food heating pellet looking from the front left side.

FIG. 2 is a bottom perspective view looking from the front left side.

FIG. 3 is a front elevation view.

FIG. 4 is a left side elevation view.

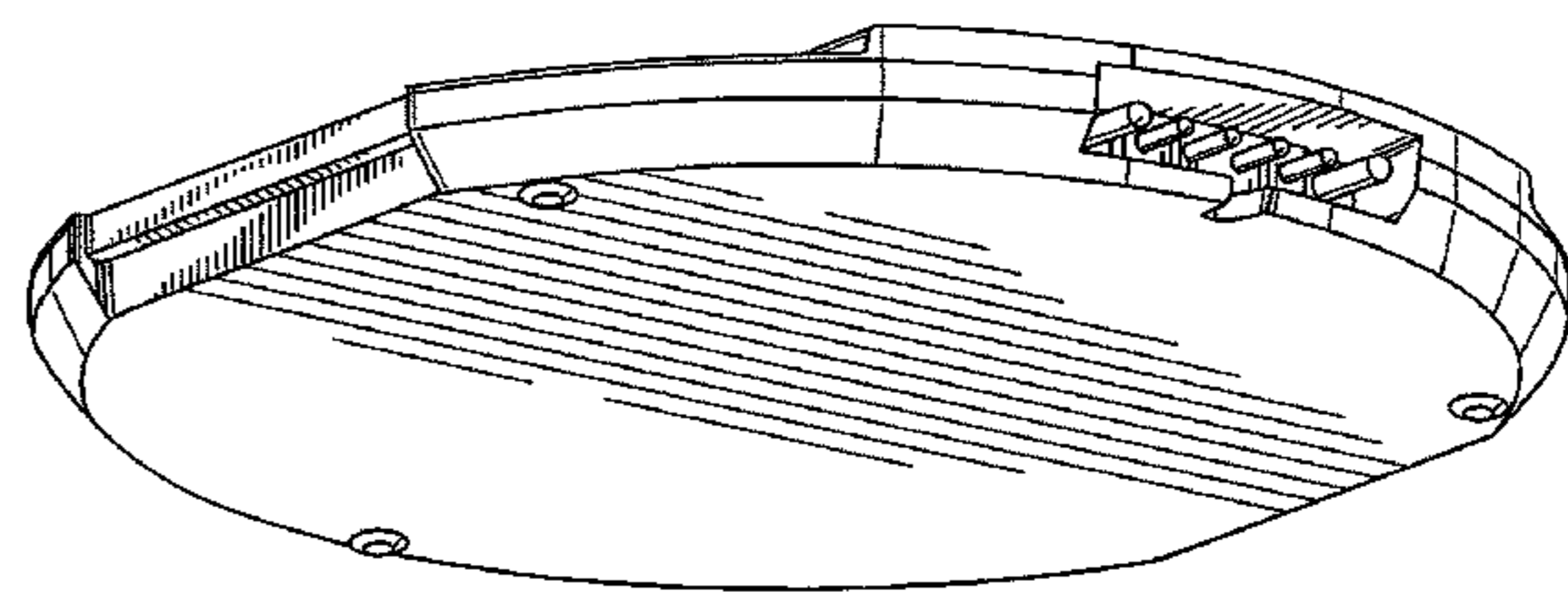
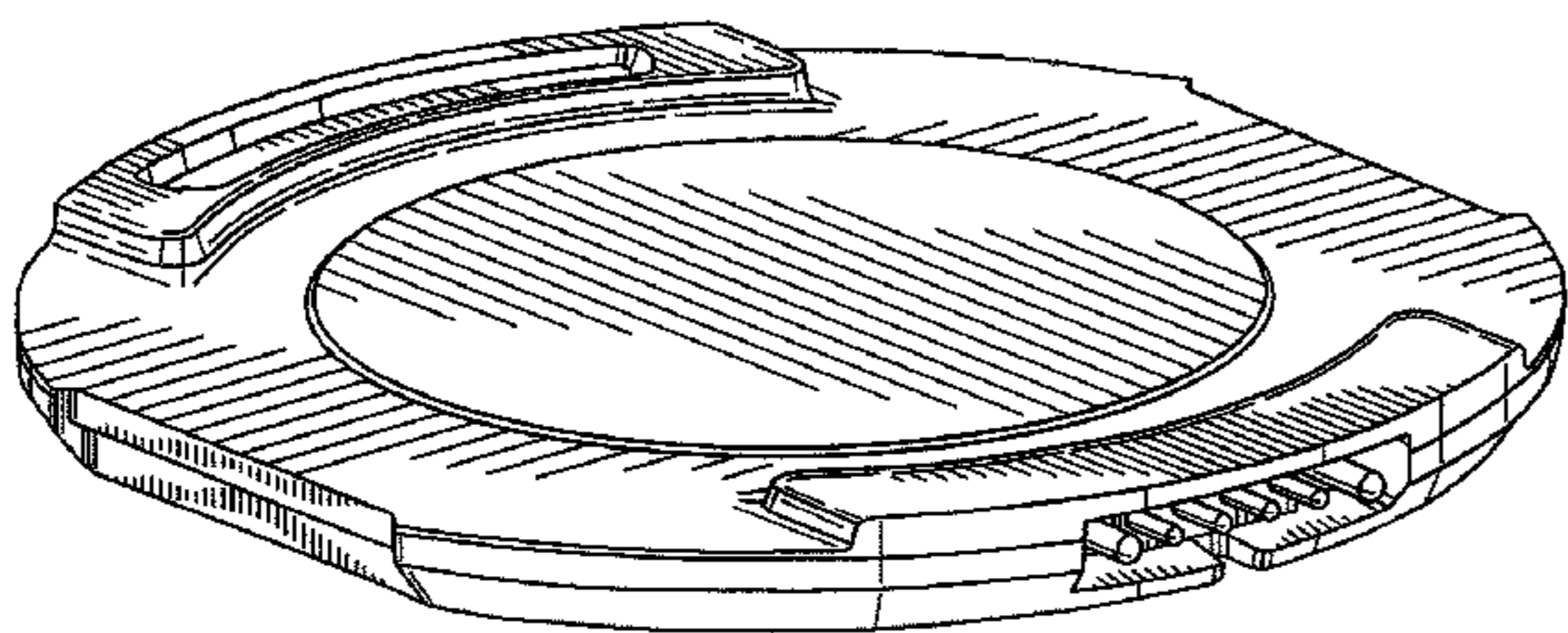
FIG. 5 is a top plan view.

FIG. 6 is a right side elevation view.

FIG. 7 is a back elevation view; and,

FIG. 8 is a bottom plan view of the food heating pellet.

1 Claim, 3 Drawing Sheets



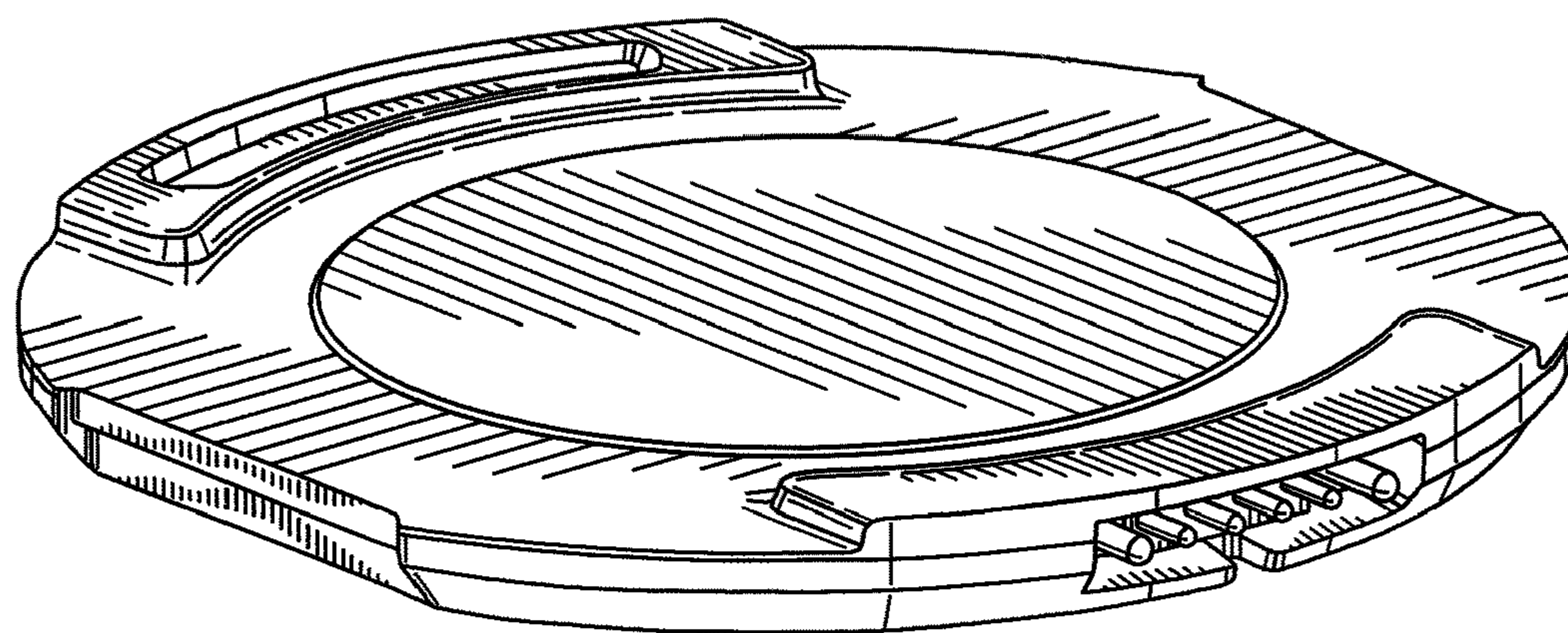


FIG. 1

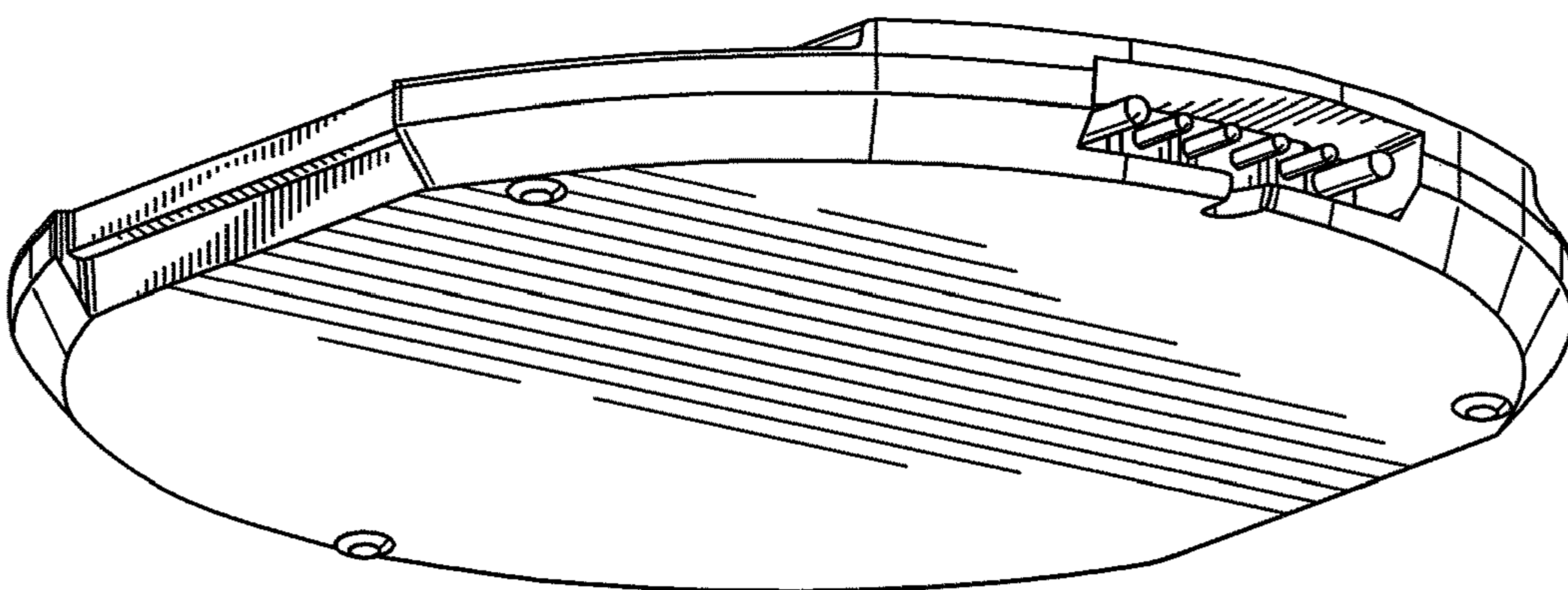


FIG. 2

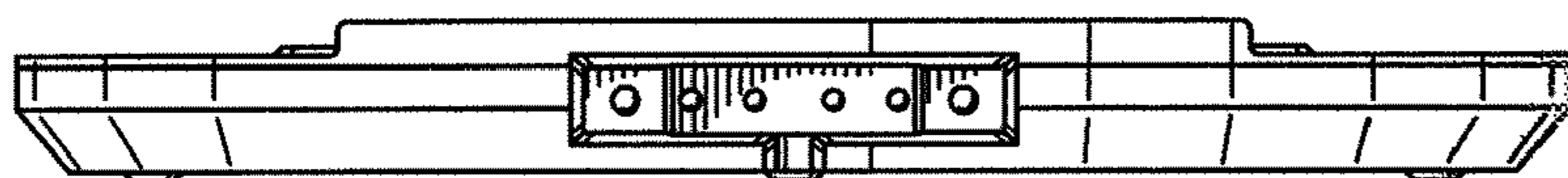


FIG. 3

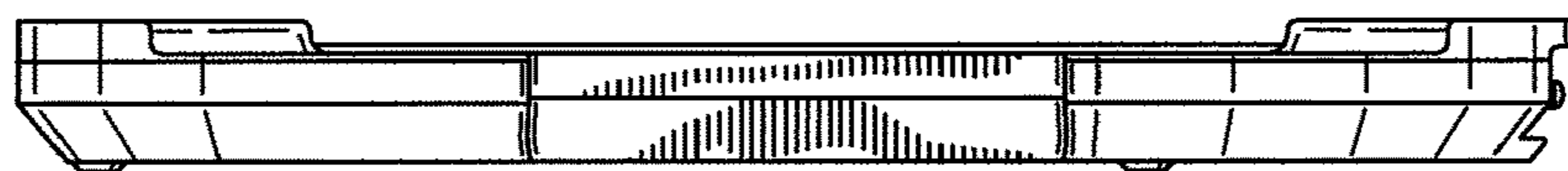


FIG. 4

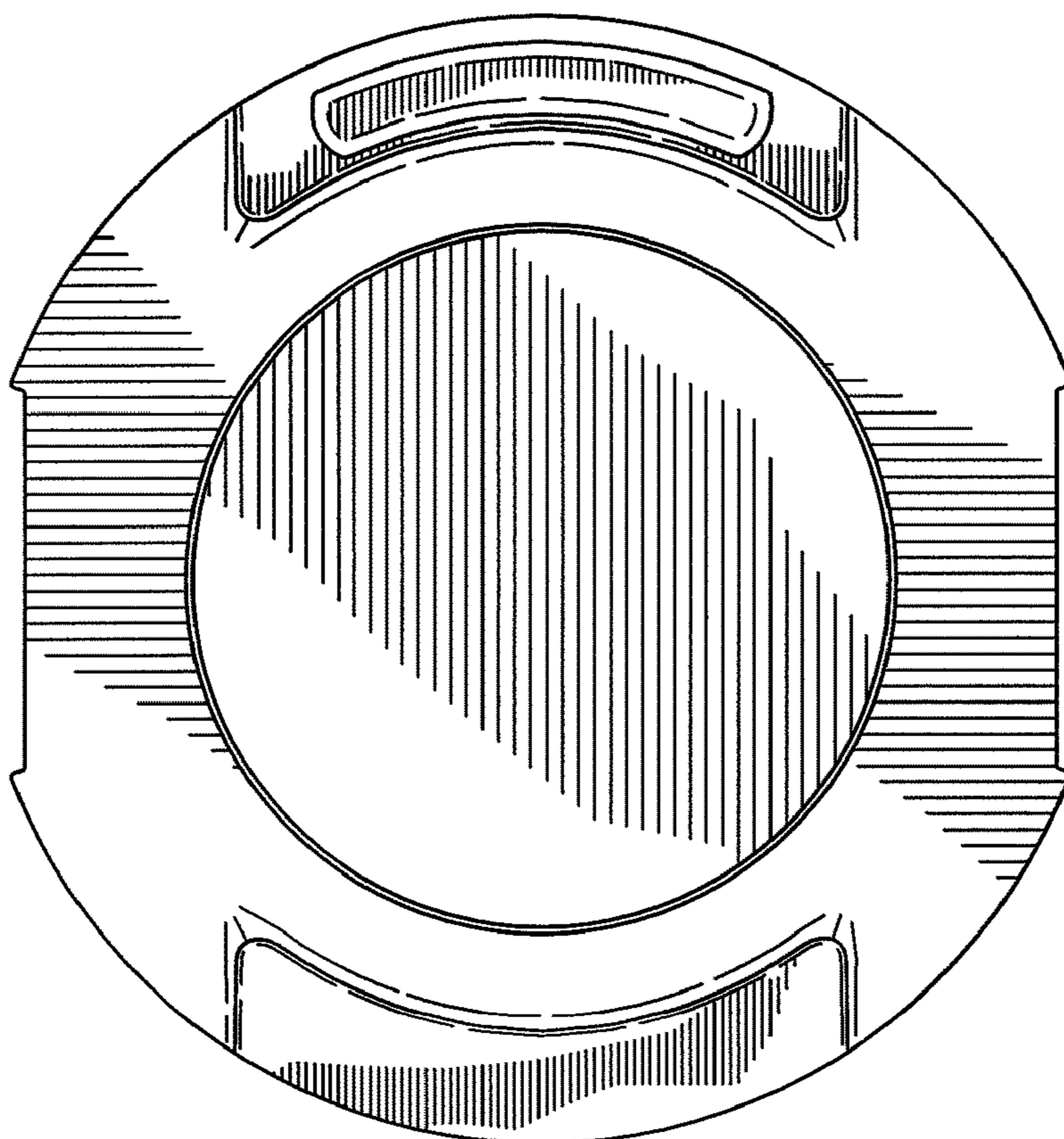


FIG. 5

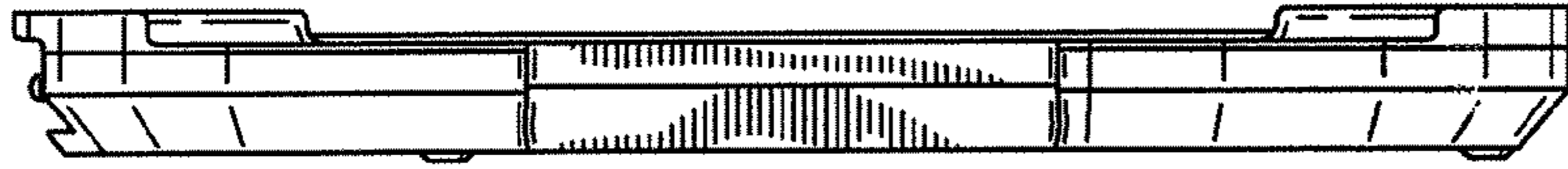


FIG. 6

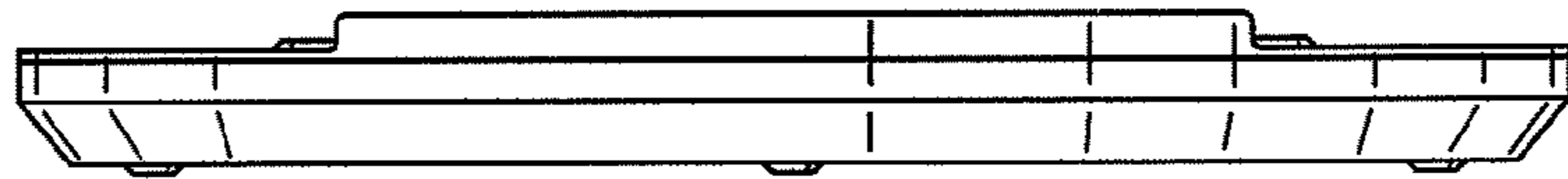


FIG. 7

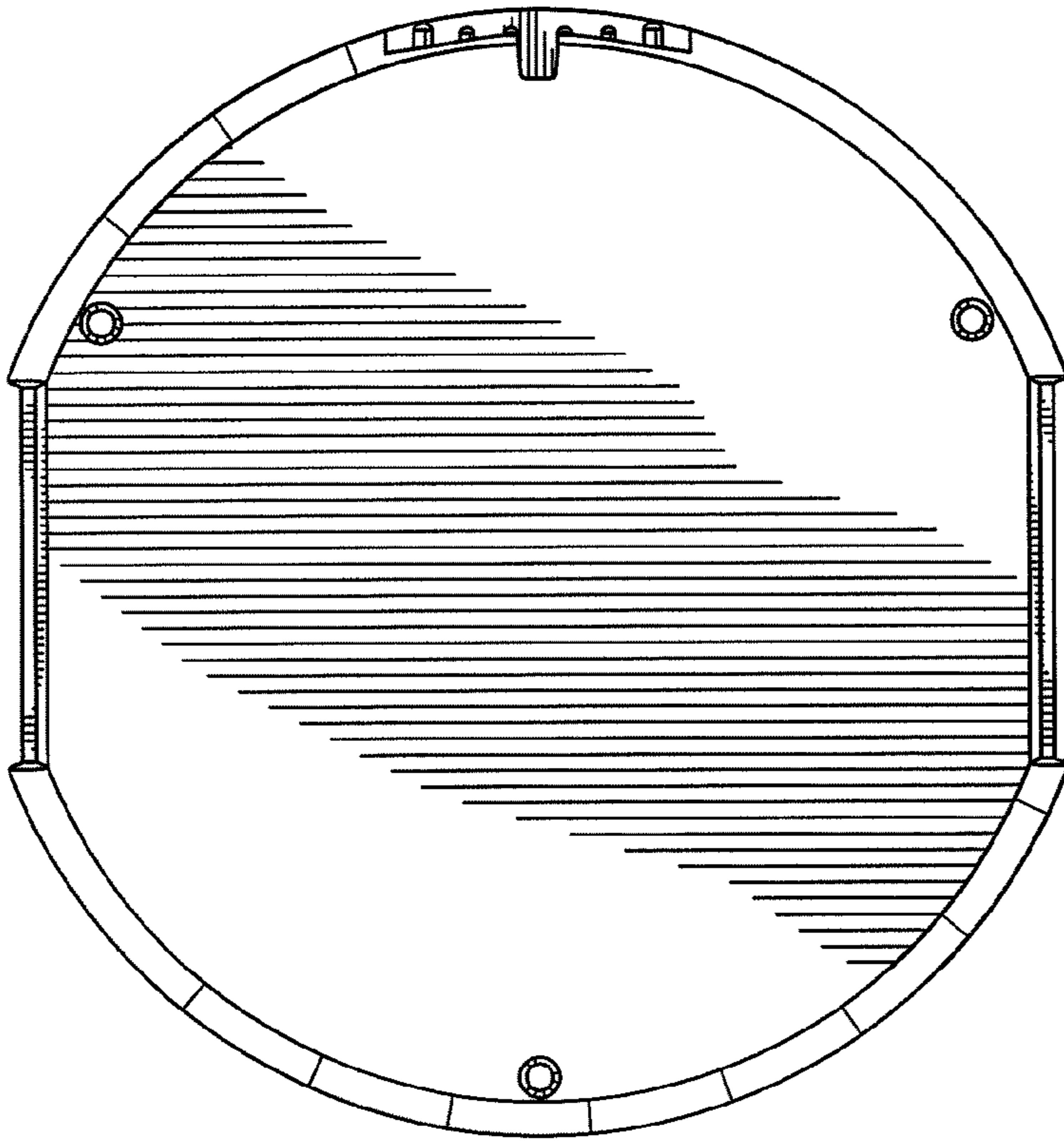


FIG. 8