



US00D628853S

(12) **United States Design Patent**  
**Junko**

(10) **Patent No.:** **US D628,853 S**

(45) **Date of Patent:** **\*\* Dec. 14, 2010**

(54) **FLATWARE**

(75) Inventor: **Theodore Junko**, Manlius, NY (US)

(73) Assignee: **Oneida, Ltd.**, Syracuse, NY (US)

(\*\*) Term: **14 Years**

(21) Appl. No.: **29/367,209**

(22) Filed: **Aug. 4, 2010**

(51) **LOC (9) Cl.** ..... **07-02**

(52) **U.S. Cl.** ..... **D7/401.2; D7/653**

(58) **Field of Classification Search** ..... D7/368,  
D7/395, 401.2, 642-646, 649-654, 660-664,  
D7/669, 675-676, 683, 688-692, 695-696;  
30/137, 141-143, 147-150, 322-327, 329,  
30/340, 342-344; 416/70 R

See application file for complete search history.

(56) **References Cited**

**U.S. PATENT DOCUMENTS**

D31,664 S *	10/1899	Mealy	.....	D7/662
D37,190 S *	10/1904	Codman	.....	D7/653
D37,563 S *	9/1905	Crowell, Jr.	.....	D7/662
D39,738 S *	1/1909	Dowse	.....	D7/653
D41,966 S *	12/1911	Ittig	.....	D7/653
D254,470 S *	3/1980	Knope	.....	D7/661
D491,770 S *	6/2004	Strange	.....	D7/653
D497,083 S *	10/2004	Welch	.....	D7/645
D514,898 S *	2/2006	Poupel	.....	D7/653
D577,263 S *	9/2008	Shane-Schuldt	.....	D7/653
D593,380 S *	6/2009	Shane-Schuldt	.....	D7/653
D593,381 S *	6/2009	Richmond	.....	D7/653
D618,054 S *	6/2010	Richmond	.....	D7/401.2

\* cited by examiner

*Primary Examiner*—Ricky Pham

(74) *Attorney, Agent, or Firm*—George R. McGuire; Bond Schoeneck & King, PLLC

(57) **CLAIM**

The ornamental design for flatware, as shown and described.

**DESCRIPTION**

FIG. 1 is a top plan view of a new and ornamental design for flatware embodied as a spoon, with the spoon portion shown in phantom for illustrative purposes only and forming no part of the claimed design;

FIG. 2 is a bottom plan view thereof;

FIG. 3 is a side elevation view thereof, the opposite side being a mirror image;

FIG. 4 is a cross-sectional view of a longitudinal portion of the handle taken along section line 4—4 of FIG. 1 to illustrate the shape of the handle portion that is the subject of the cross-section and with the interior construction details being illustrated in phantom lines and not forming any part of the claimed design;

FIG. 5 is an enlarged cross-sectional view taken along section line 5—5 of FIG. 1 to illustrate the exterior peripheral shape of the article at the cross-section and with the interior construction details being illustrated in phantom lines and not forming any part of the claimed design; and,

FIG. 6 is an enlarged cross-sectional view taken along section line 6—6 of FIG. 1 to illustrate the exterior peripheral shape of the article at the cross-section and with the interior construction details being illustrated in phantom lines and not forming any part of the claimed design.

**1 Claim, 2 Drawing Sheets**

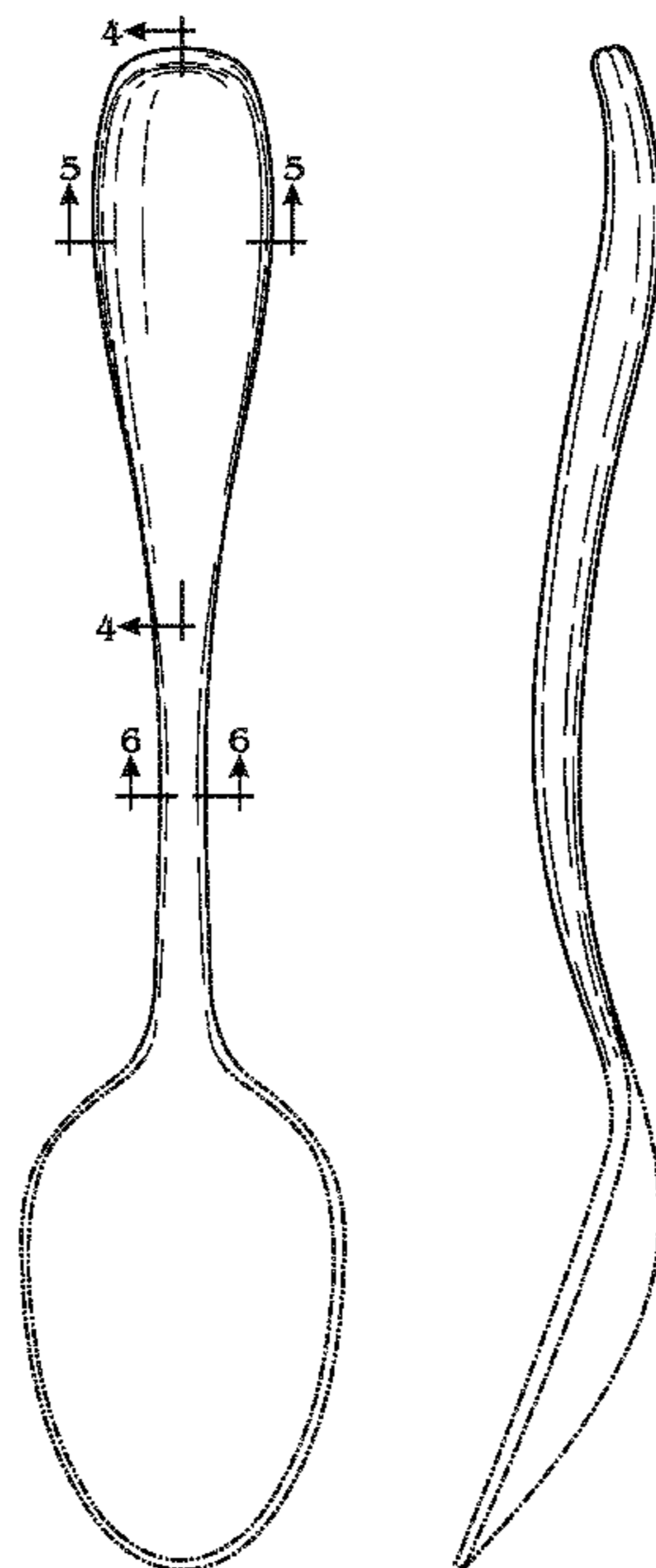


Fig. 1

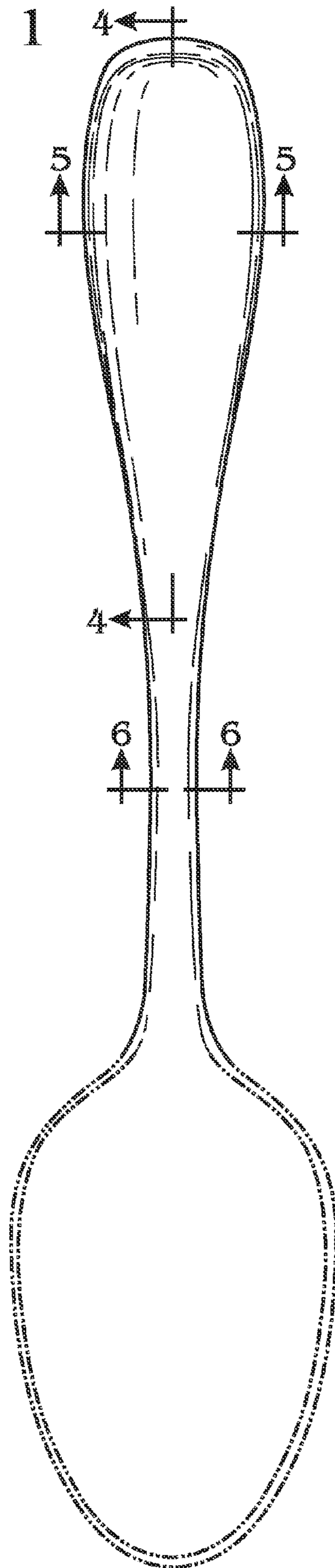


Fig. 2

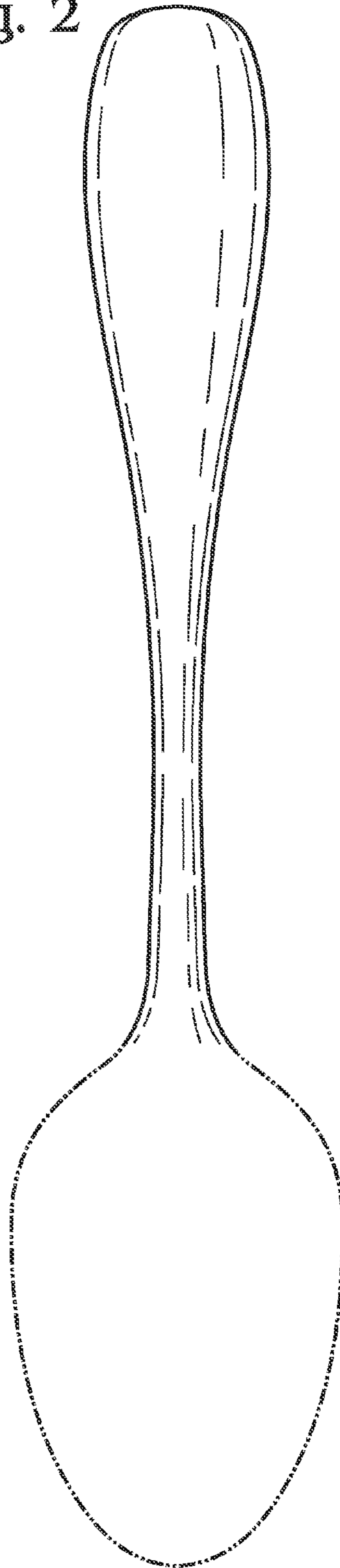


Fig. 3

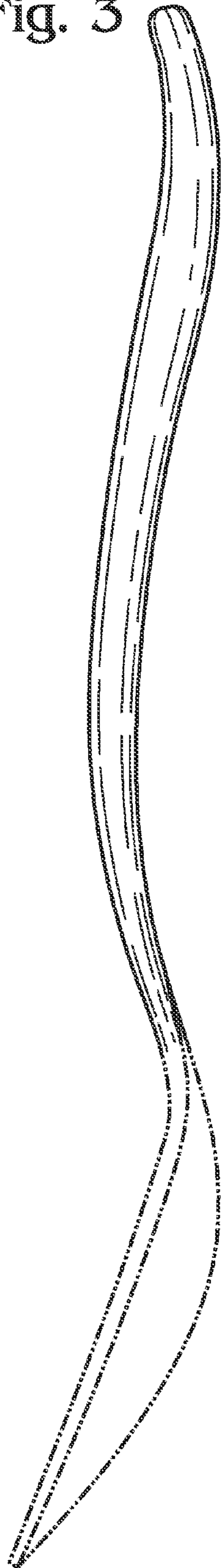


Fig. 4

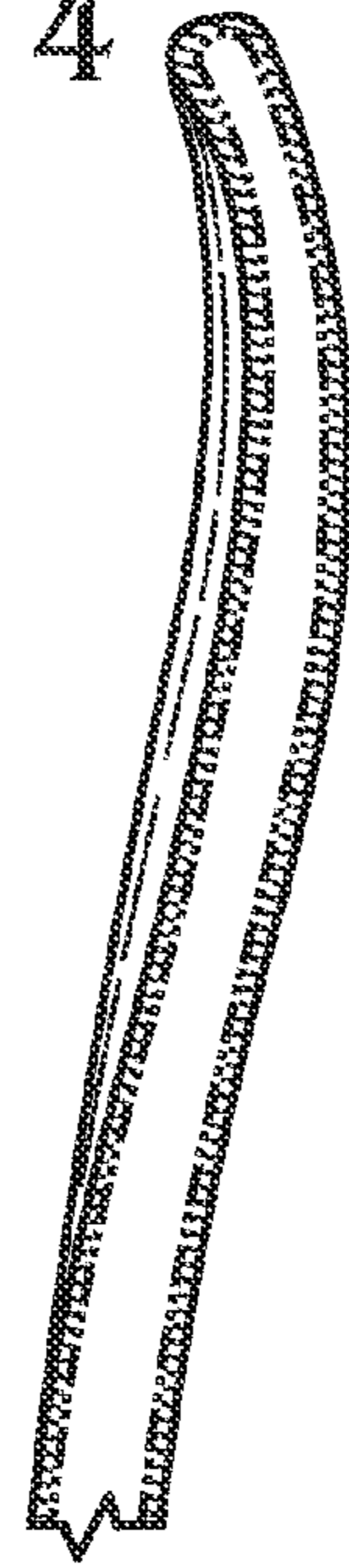


Fig. 5

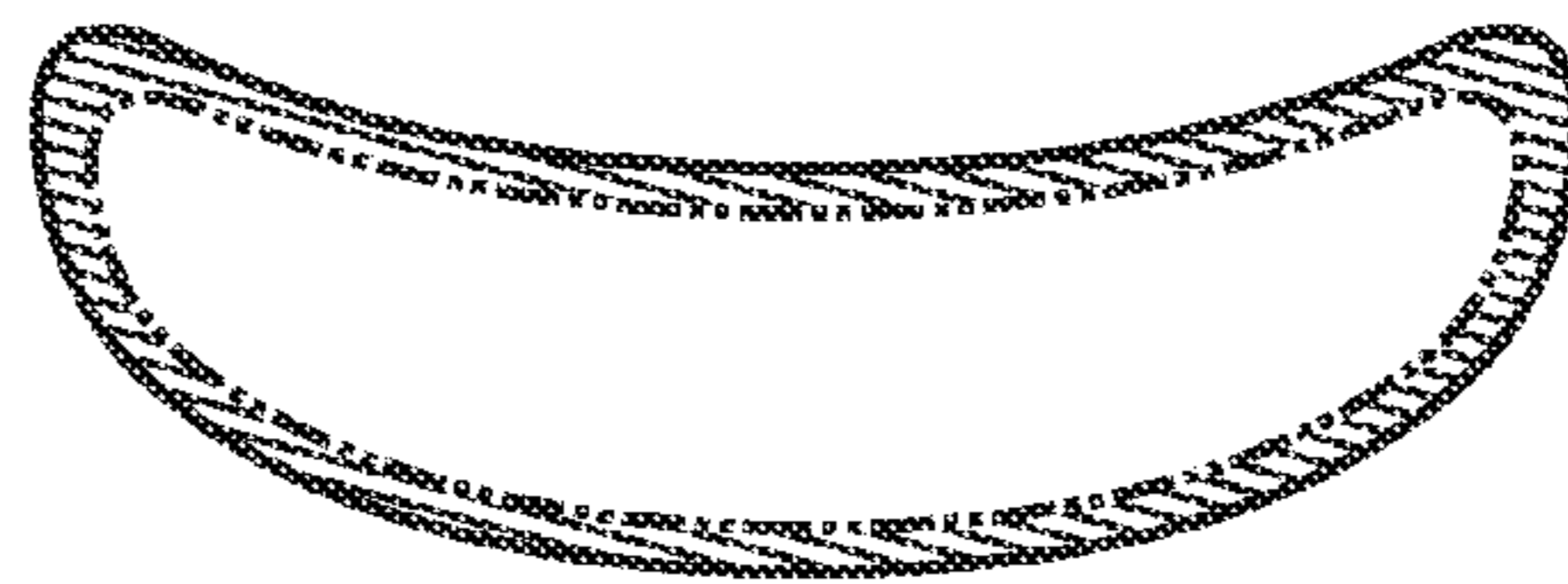


Fig. 6

