



US00D628852S

(12) **United States Design Patent**
Struzka et al.

(10) **Patent No.:** **US D628,852 S**

(45) **Date of Patent:** **** Dec. 14, 2010**

(54) **CAPSULE HOLDER**

(75) Inventors: **Pierre Struzka**, Lausanne (CH);
Sebastien Dassi, St-Blaise (CH)

(73) Assignee: **Societe des Produits Nestle S.A.**, Vevey (CH)

(**) Term: **14 Years**

(21) Appl. No.: **29/367,576**

(22) Filed: **Aug. 10, 2010**

Related U.S. Application Data

(62) Division of application No. 29/346,109, filed on Oct. 27, 2009, now Pat. No. Des. 623,463.

Foreign Application Priority Data

(30) May 6, 2009 (CH) 136005

(51) **LOC (9) Cl.** **07-99**

(52) **U.S. Cl.** **D7/399; D7/400**

(58) **Field of Classification Search** D7/400,
D7/399, 387, 309-311, 300, 306-308; 99/299,
99/295, 279, 302 R, 317; 222/129.1
See application file for complete search history.

(56) **References Cited**

U.S. PATENT DOCUMENTS

D423,284 S * 4/2000 Fischer D7/400

D459,152 S * 6/2002 Fischer et al. D7/400
D486,355 S * 2/2004 Lyall, III D7/400
D565,349 S * 4/2008 Denisart et al. D7/400
D614,444 S * 4/2010 Struzka et al. D7/400
D623,894 S * 9/2010 Jacquet et al. D7/400

* cited by examiner

Primary Examiner—Marianne Pandozzi

(74) *Attorney, Agent, or Firm*—K&L Gates LLP

(57) **CLAIM**

The ornamental design for a capsule holder, as shown and described.

DESCRIPTION

FIG. 1 is a front perspective view of the capsule holder showing our new design;

FIG. 2 is a bottom perspective view thereof;

FIG. 3 is a front elevation view thereof;

FIG. 4 is a rear elevation view thereof;

FIG. 5 is a left side elevation view thereof;

FIG. 6 is a right side elevation view thereof;

FIG. 7 is a top view of the capsule holder thereof; and,

FIG. 8 is a bottom view of the capsule holder thereof.

1 Claim, 5 Drawing Sheets

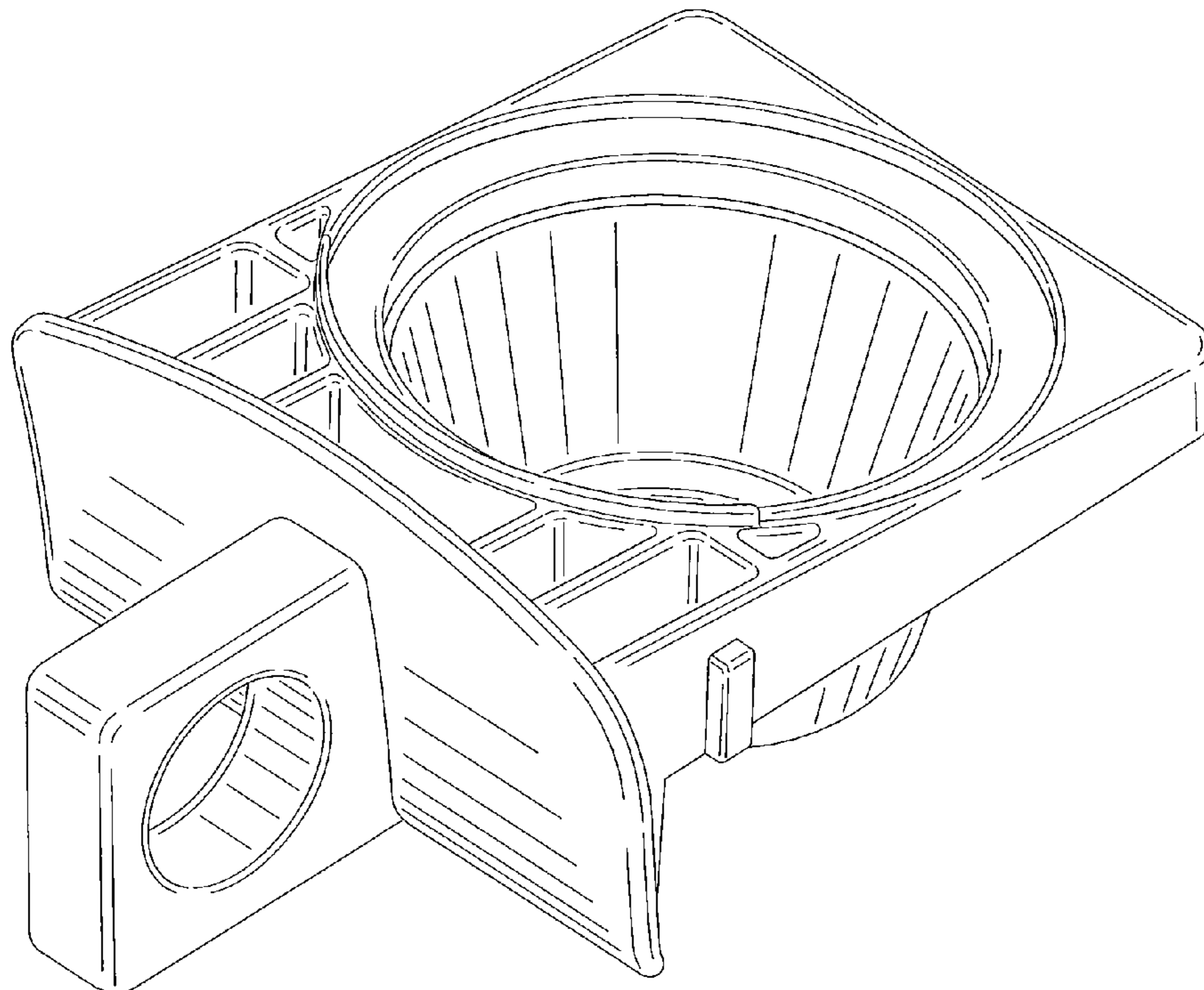


FIG. 1

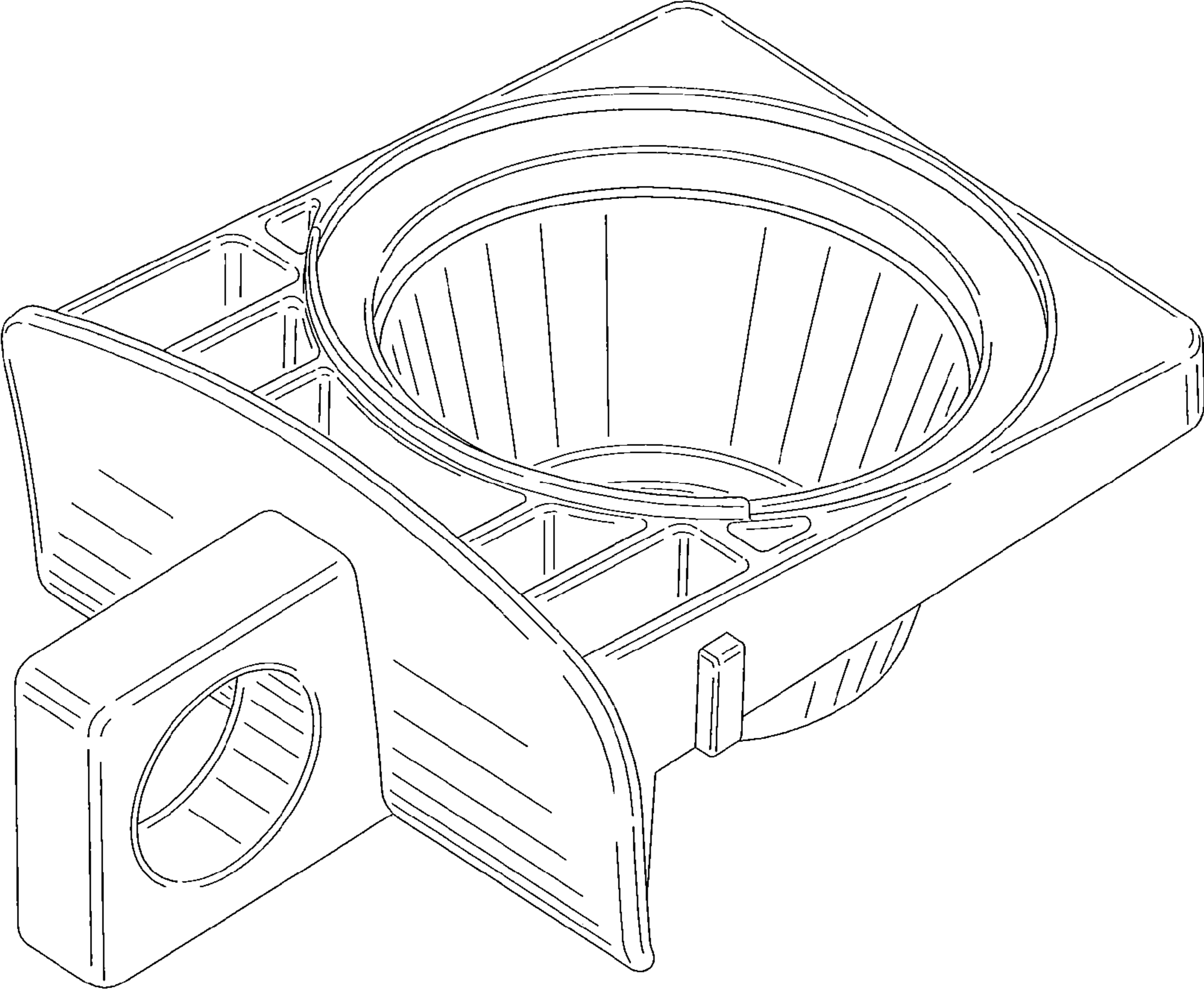


FIG. 2

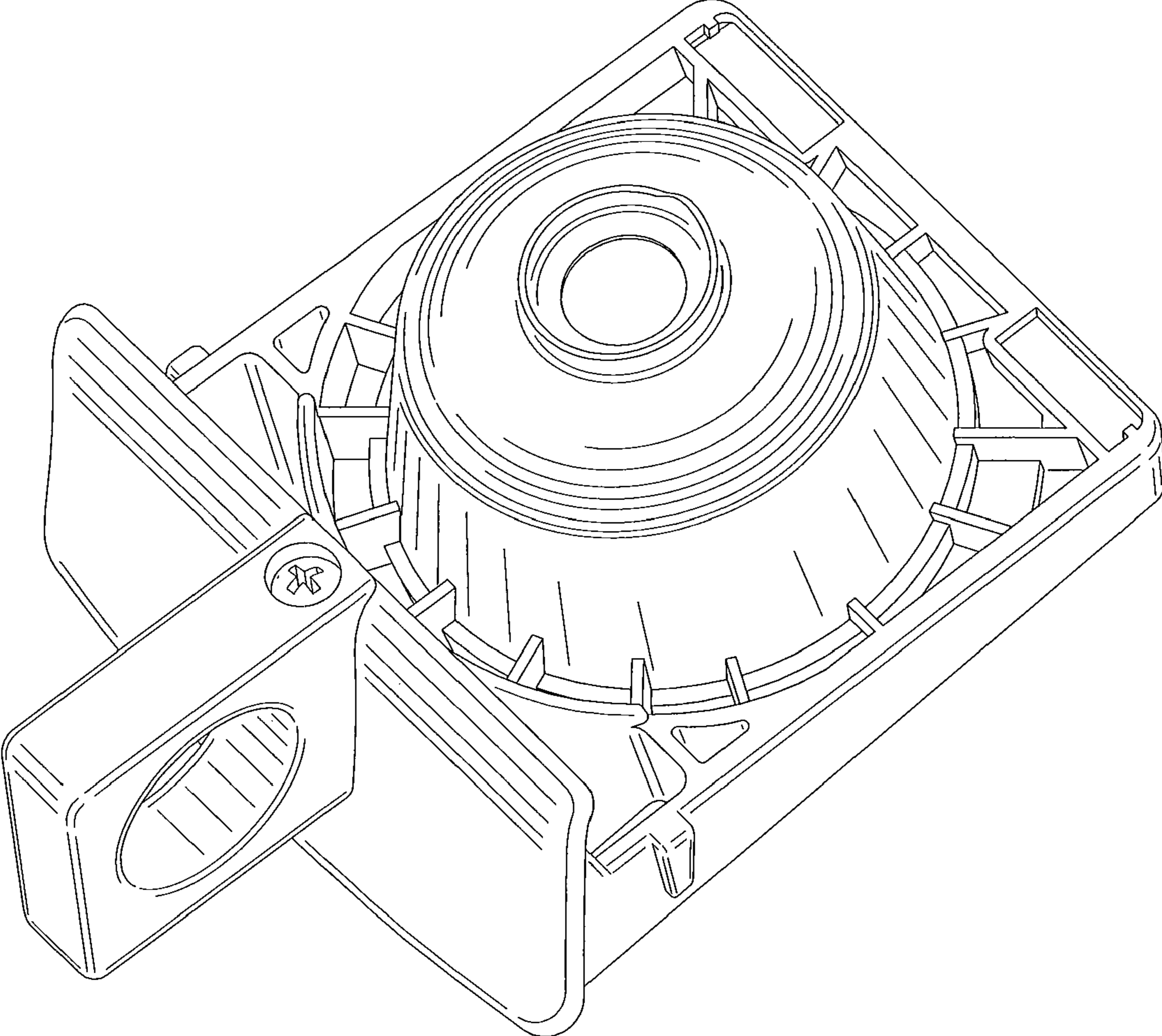


FIG. 3

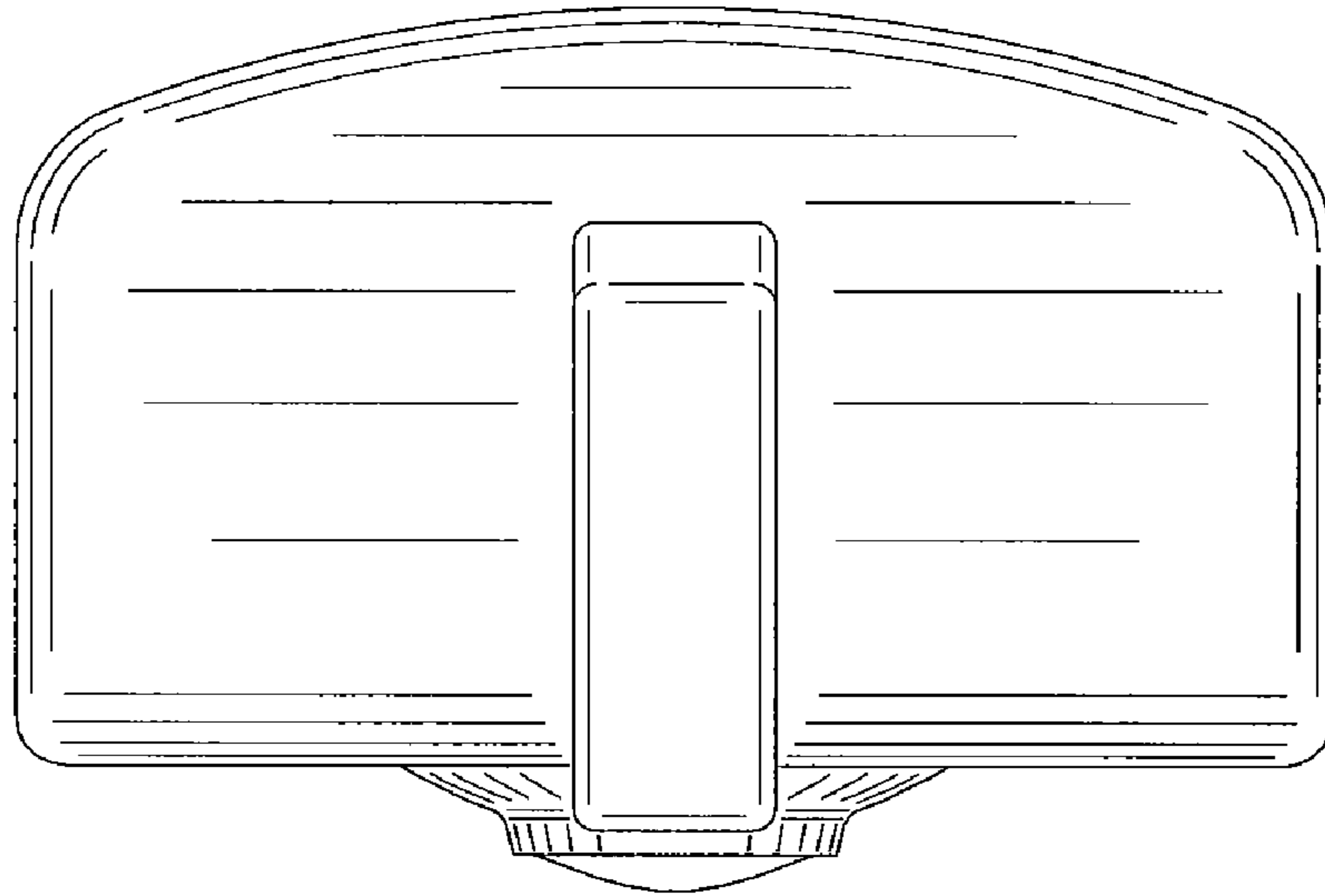


FIG. 4

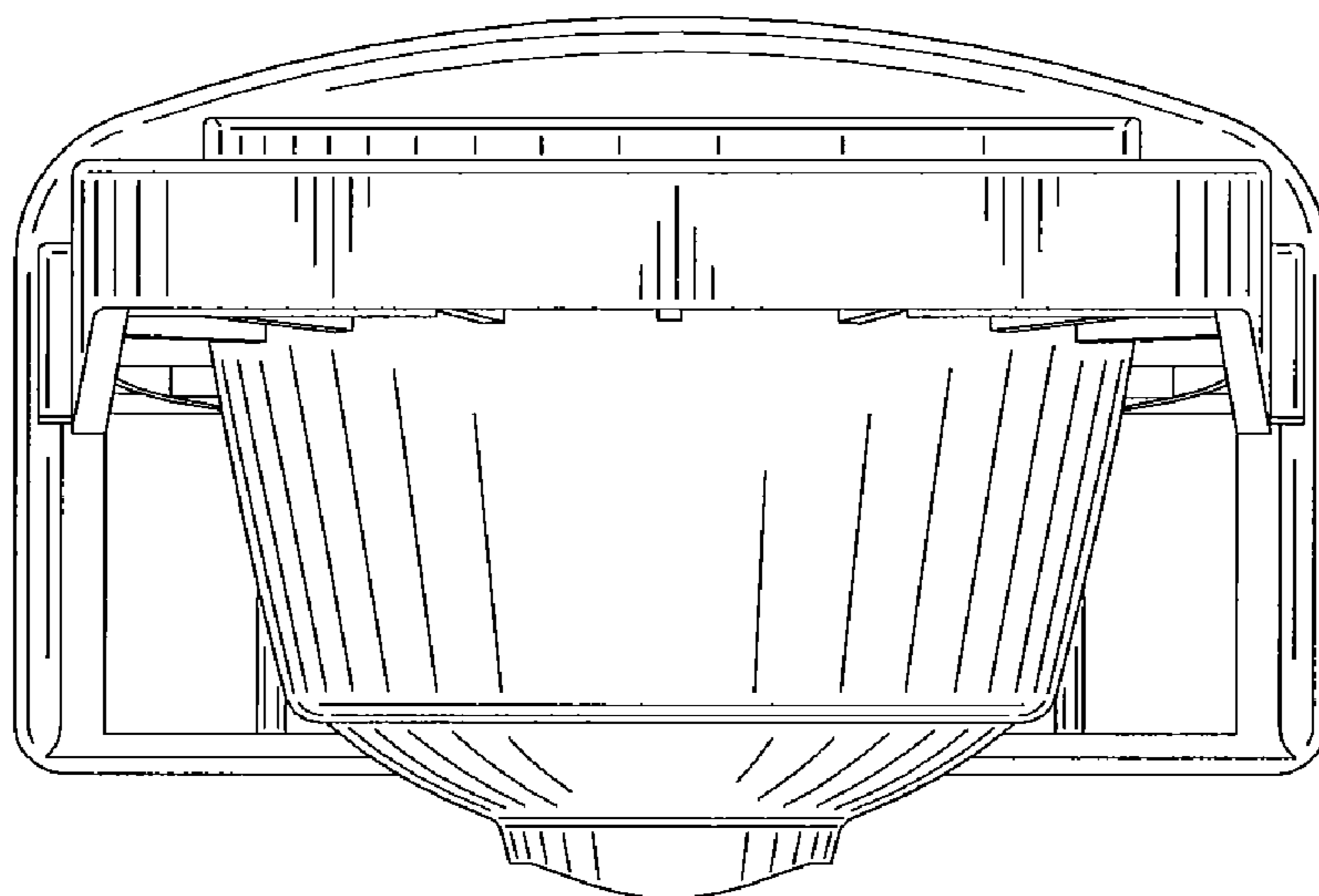


FIG. 5

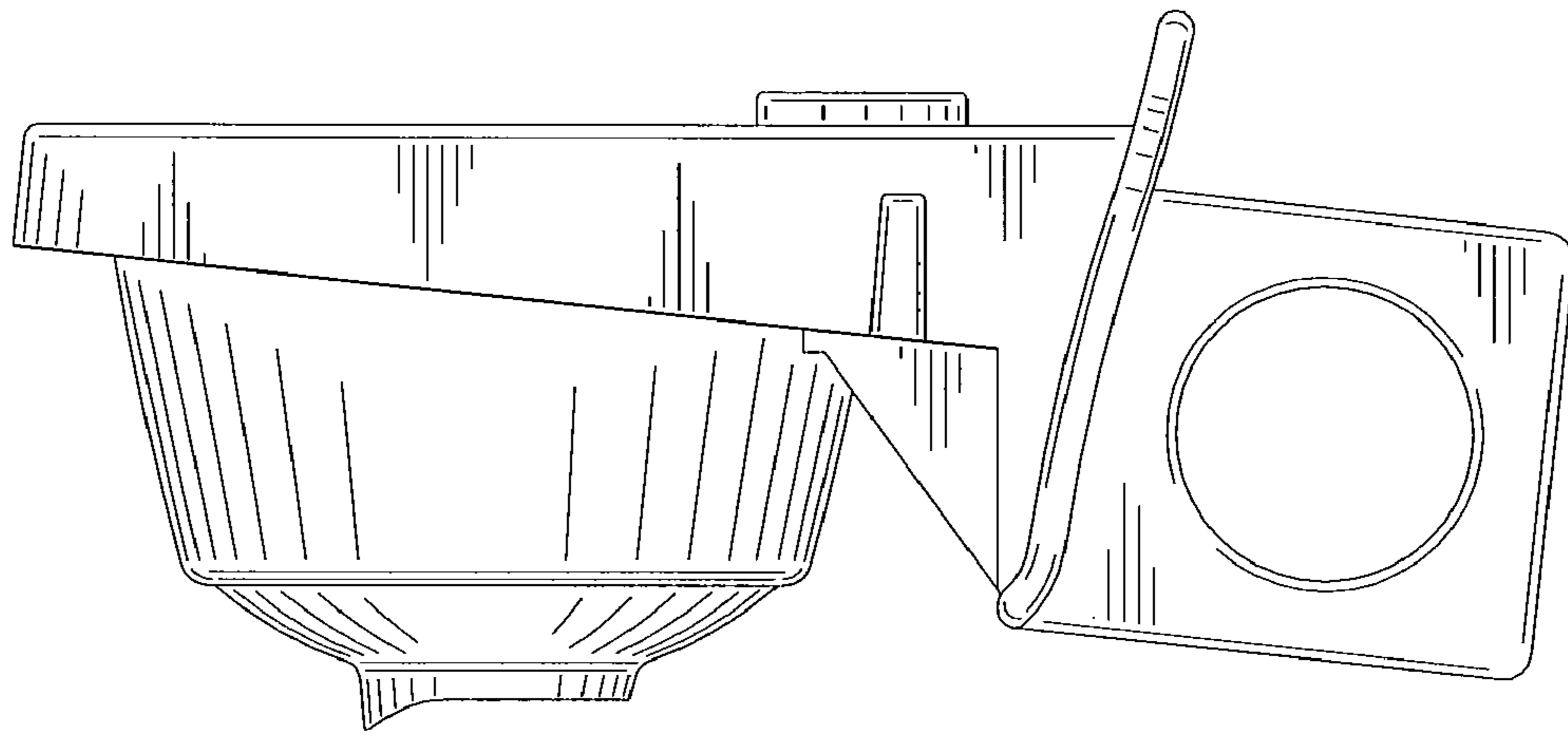


FIG. 6

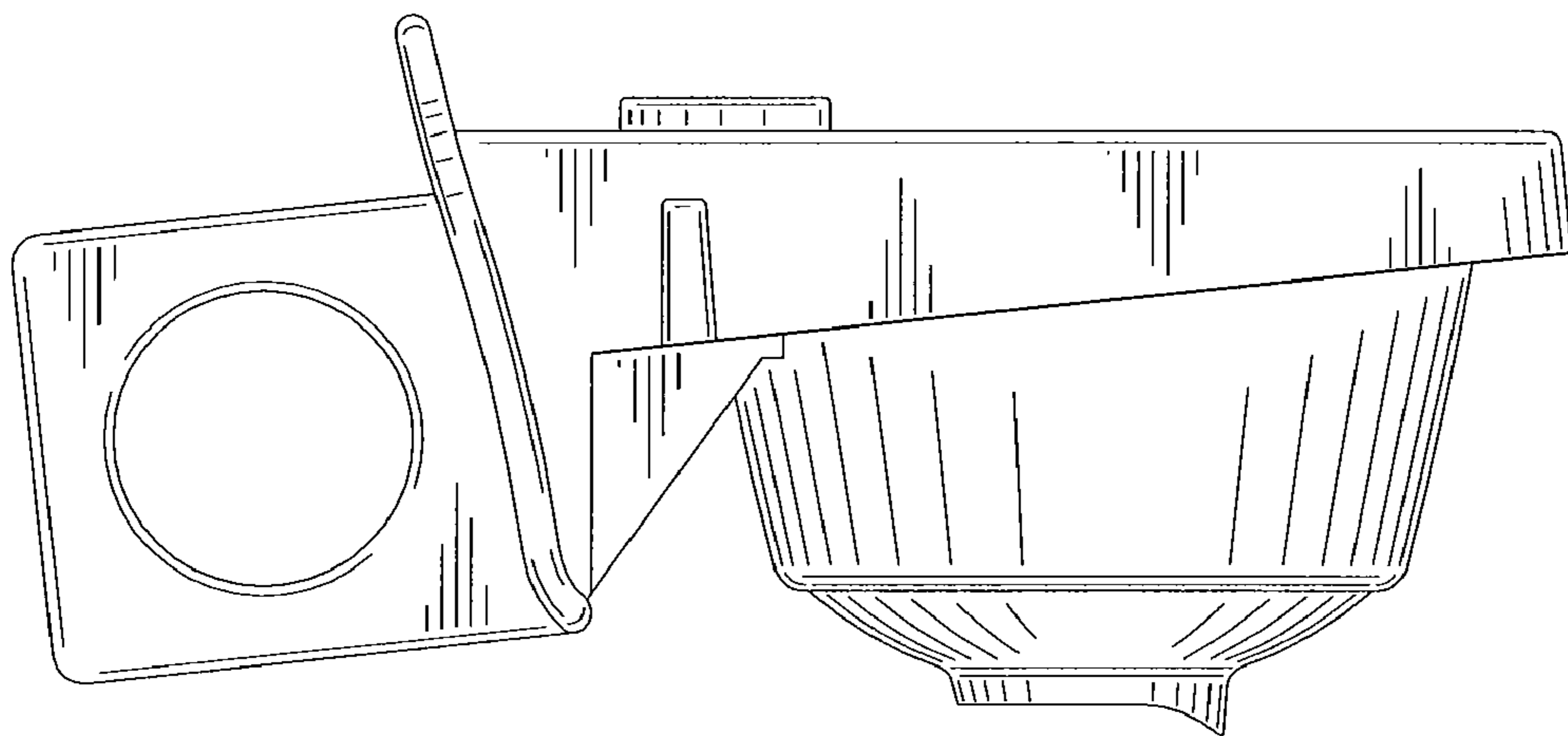


FIG. 7

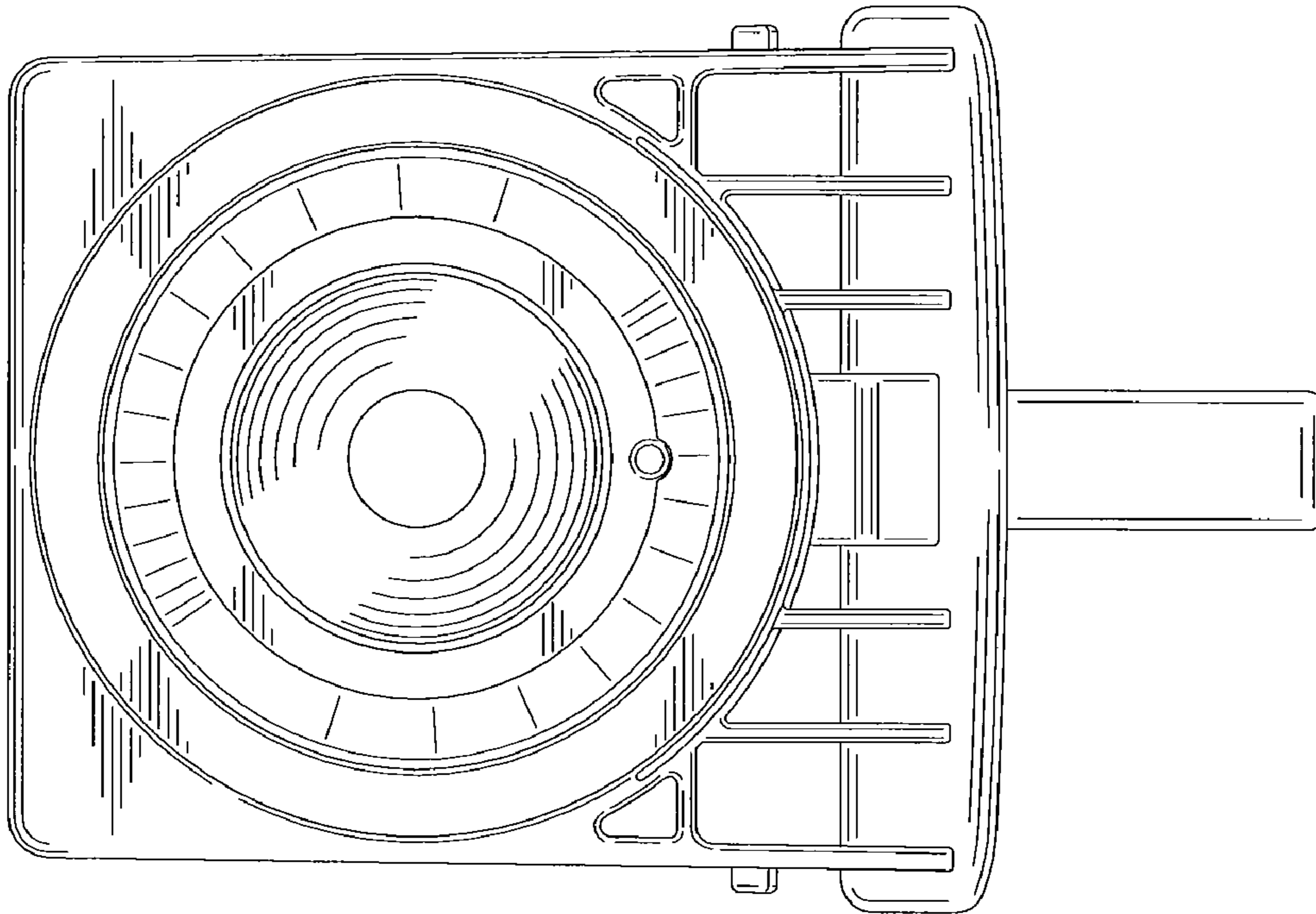


FIG. 8

