



US00D628847S

(12) **United States Design Patent**  
**Liu**

(10) **Patent No.:** **US D628,847 S**

(45) **Date of Patent:** **\*\* Dec. 14, 2010**

(54) **POPCORN MAKER**

(75) Inventor: **Bobby Liu**, Bradbury, CA (US)

(73) Assignee: **Pick Five Imports Inc.**, City of Industry, CA (US)

(\*\*) Term: **14 Years**

(21) Appl. No.: **29/363,839**

(22) Filed: **Jun. 15, 2010**

(51) **LOC (9) Cl.** ..... **31-00**

(52) **U.S. Cl.** ..... **D7/325**

(58) **Field of Classification Search** ..... D7/323,  
D7/325, 354-361; D20/1; D34/12-27; 99/323.4-323.11;  
219/620; 426/101-107, 241-243, 445  
See application file for complete search history.

(56) **References Cited**

**U.S. PATENT DOCUMENTS**

D163,497 S *	5/1951	Waas	.....	D7/325
D177,456 S *	4/1956	Altemiller	.....	D7/325
2,972,292 A *	2/1961	Waas et al.	.....	99/323.8
D388,466 S *	12/1997	Yurchak	.....	D20/1
D460,846 S *	7/2002	Helman et al.	.....	D34/14
6,460,451 B1 *	10/2002	Helman et al.	.....	99/323.5
D551,016 S *	9/2007	Bond	.....	D7/325

D552,405 S *	10/2007	Bond	.....	D7/325
D570,067 S *	5/2008	Chan	.....	D34/14
2004/0081732 A1 *	4/2004	Weiss	.....	426/445
2009/0056558 A1 *	3/2009	Cretors et al.	.....	99/323.8

\* cited by examiner

*Primary Examiner*—Ricky Pham

(74) *Attorney, Agent, or Firm*—Brooks Kushman P.C.

(57) **CLAIM**

The ornamental design for a popcorn maker, as shown and described.

**DESCRIPTION**

FIG. 1 is a perspective view of a popcorn maker in accordance with the present invention;

FIG. 2 is a left side elevational view thereof;

FIG. 3 is a front elevational view thereof;

FIG. 4 is a right side elevational view thereof;

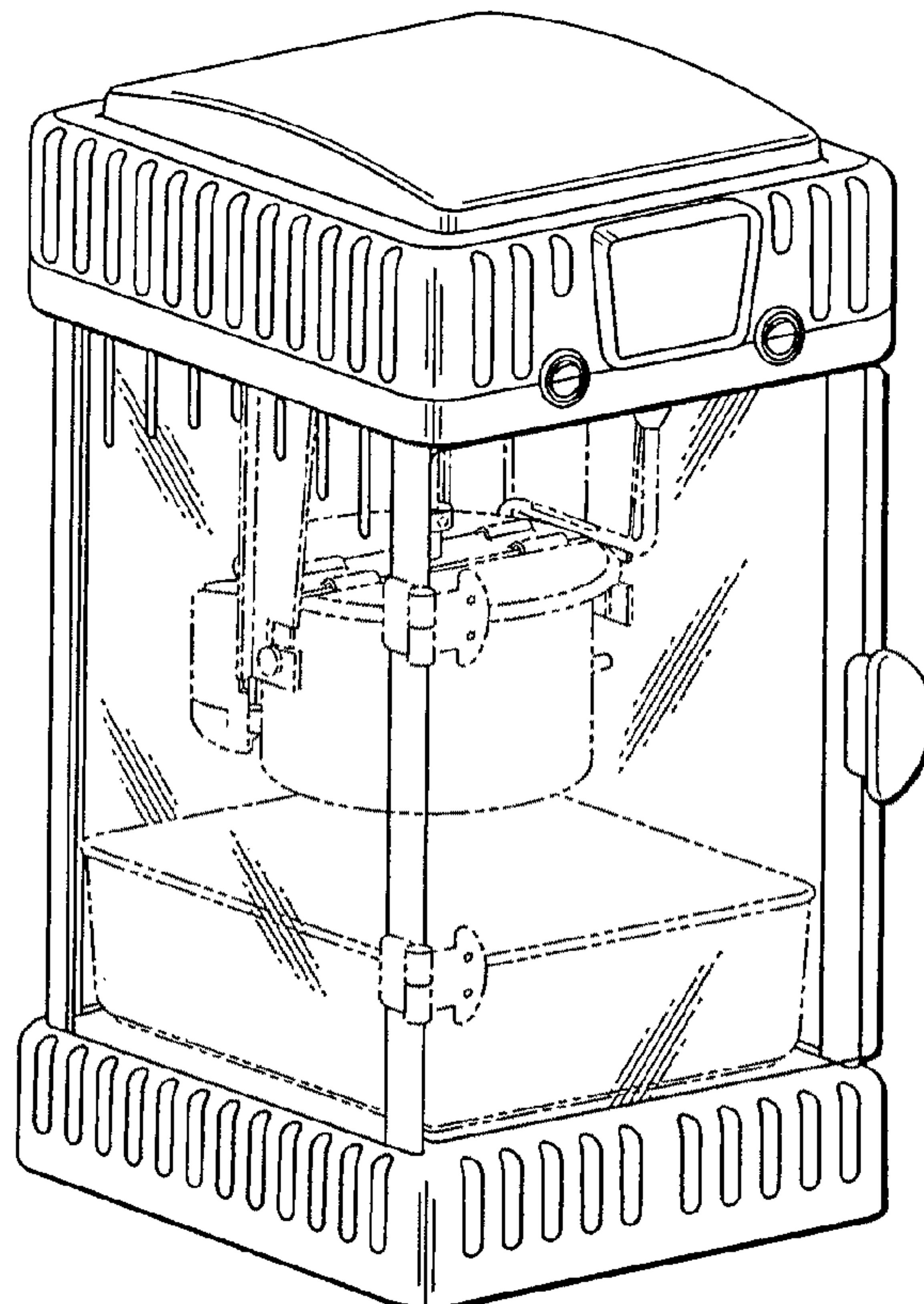
FIG. 5 is a rear elevational view thereof;

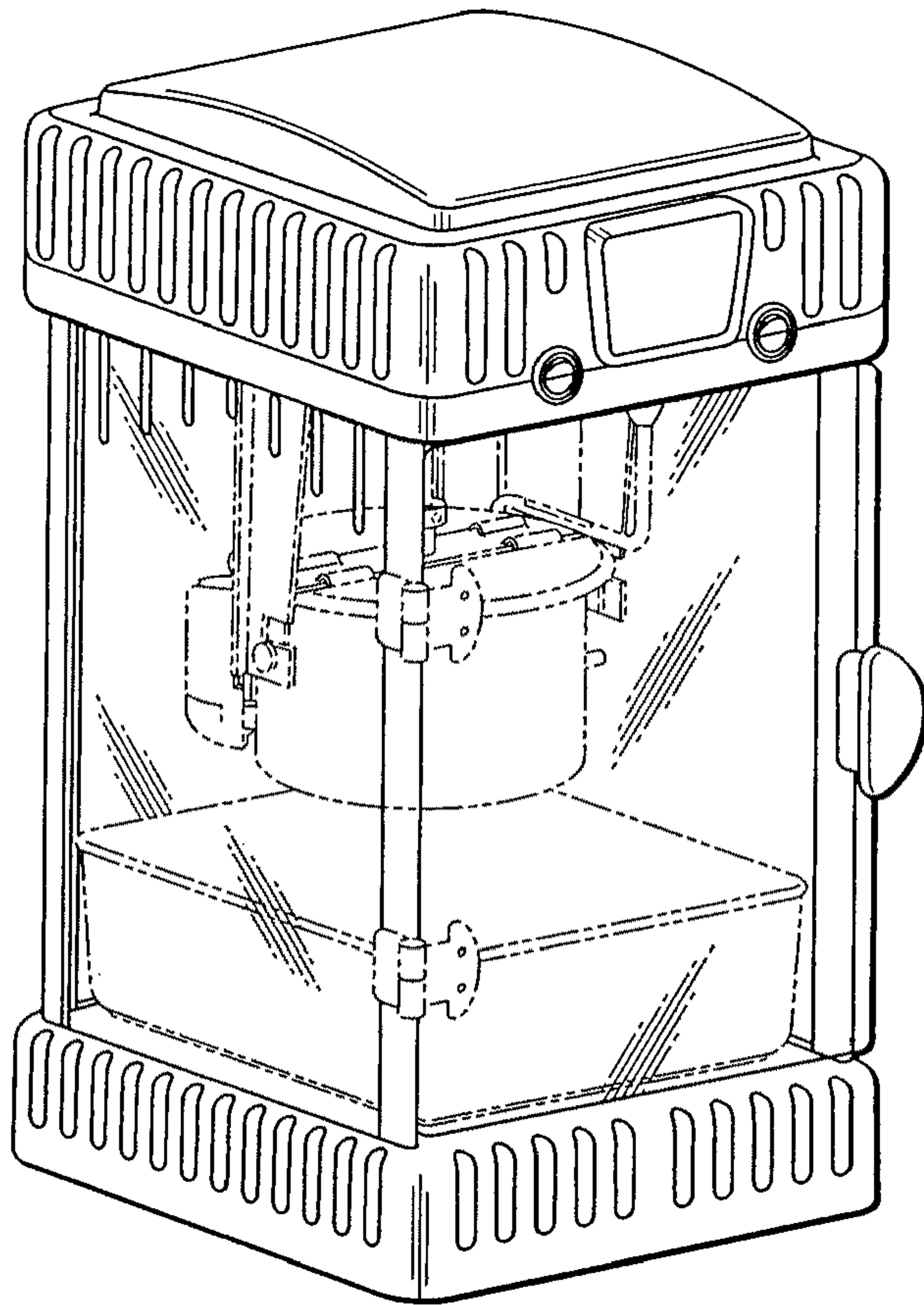
FIG. 6 is a top plan view thereof; and,

FIG. 7 is a bottom plan view thereof.

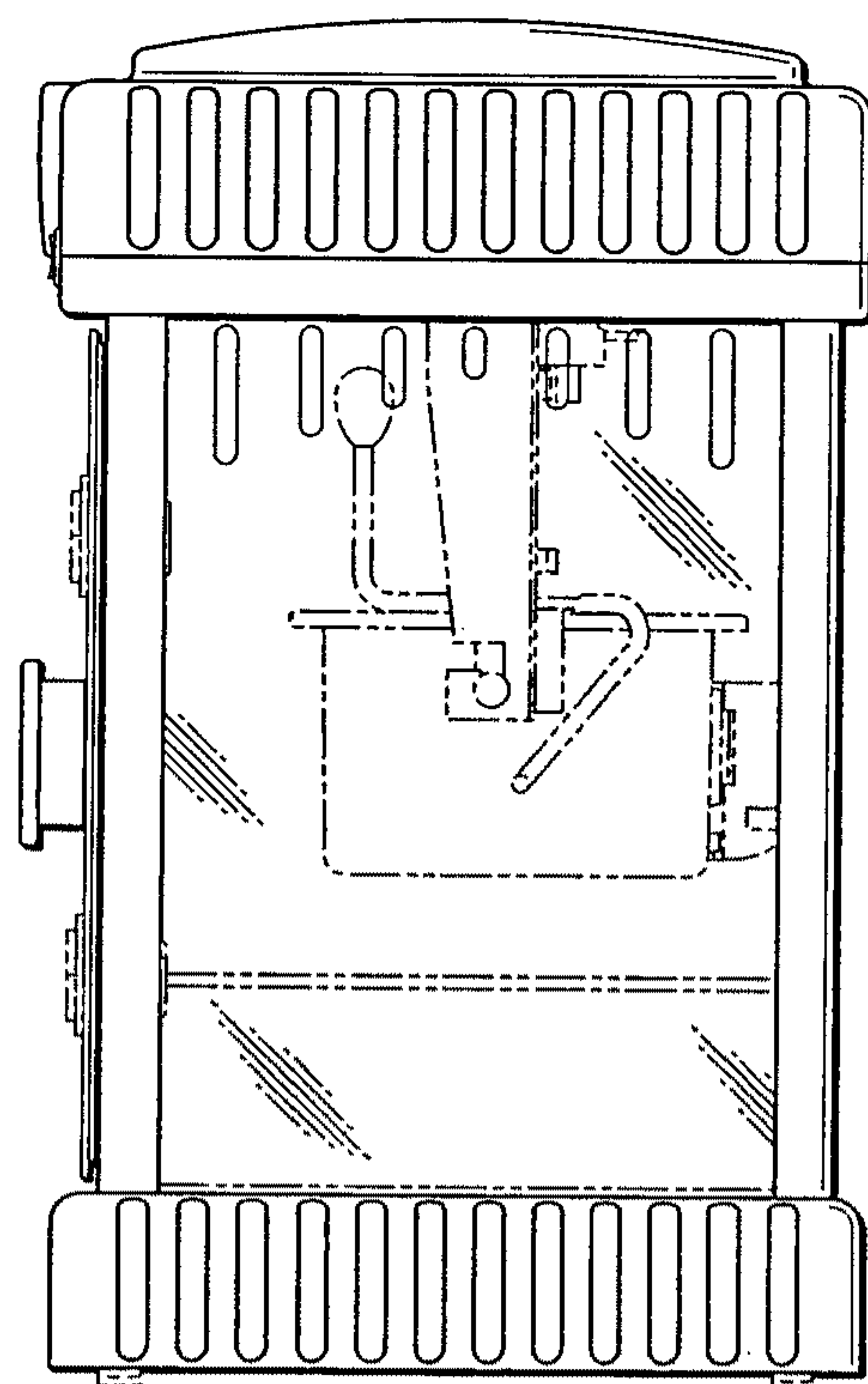
The broken lines are for illustrative purposes only and form no part of the claimed design.

**1 Claim, 4 Drawing Sheets**

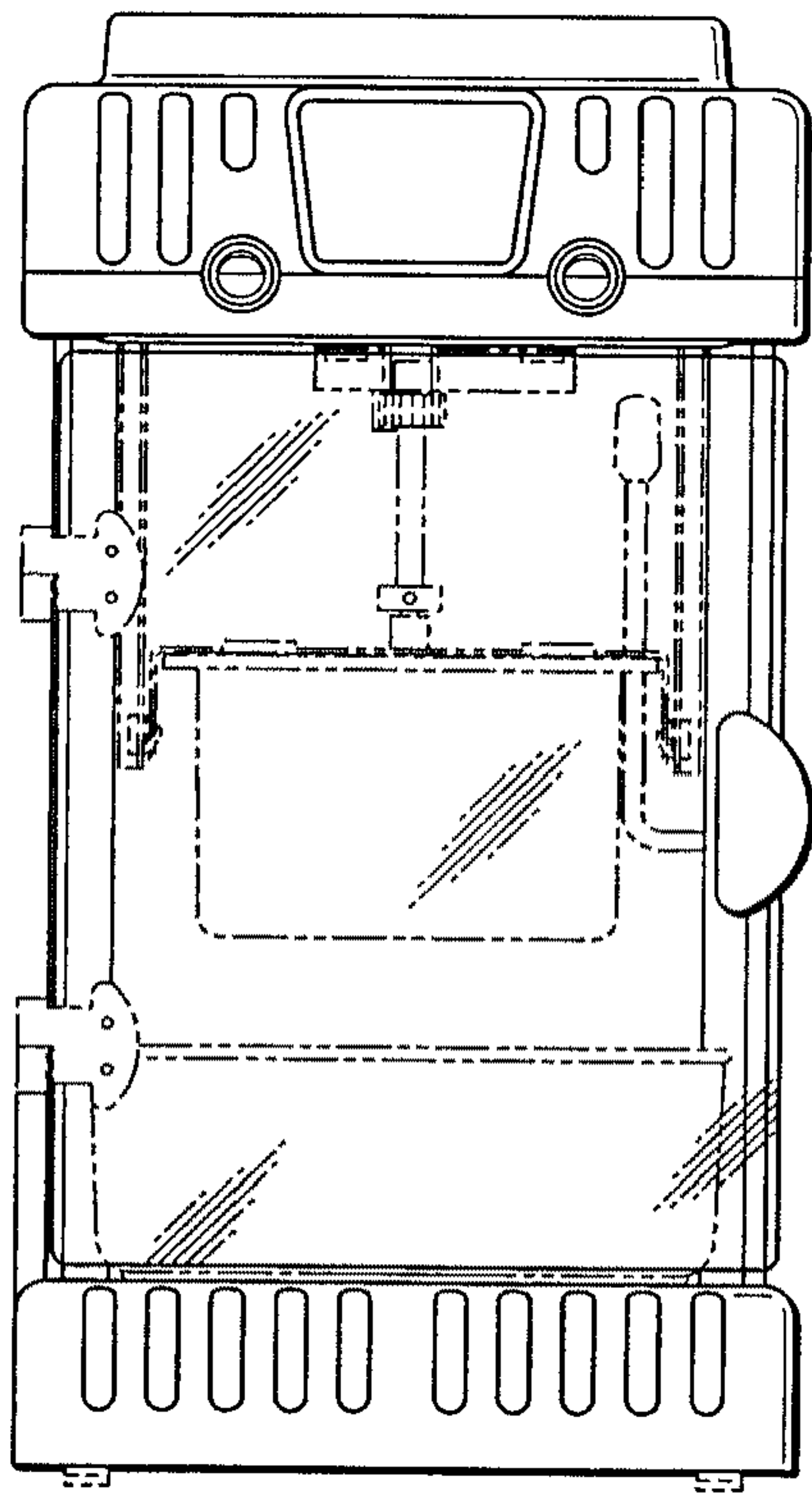




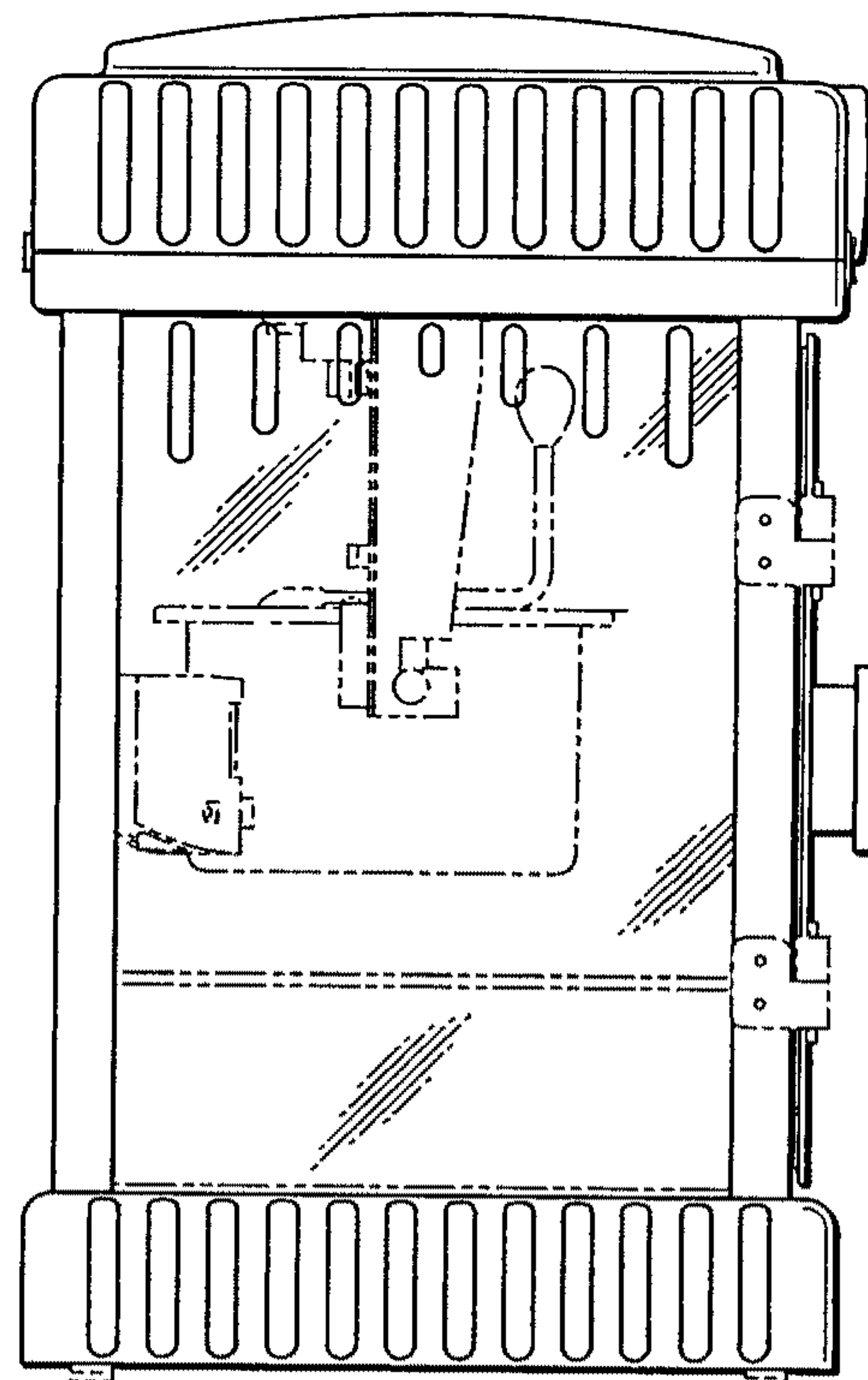
*Fig. 1*



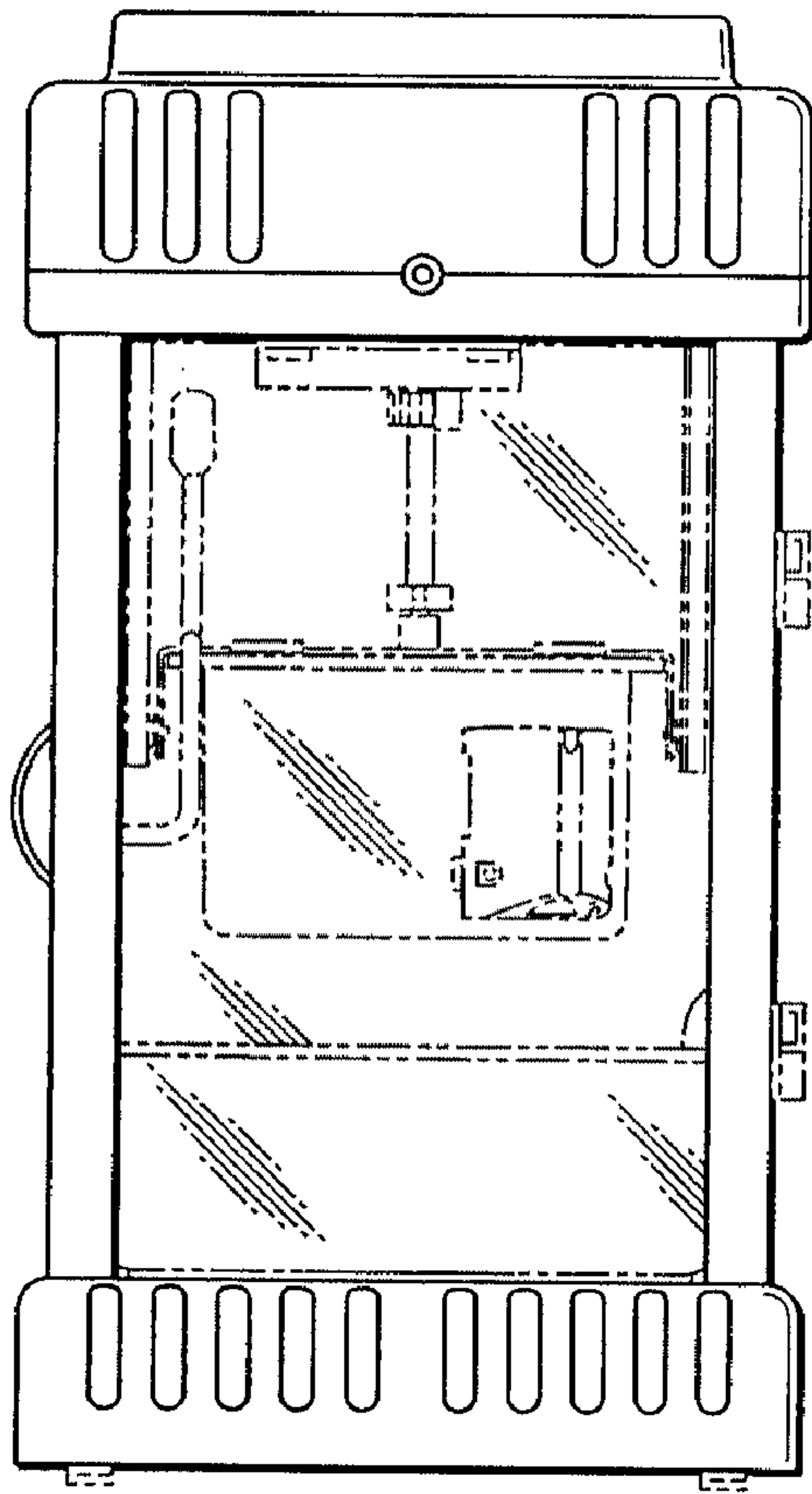
*Fig. 2*



*Fig. 3*

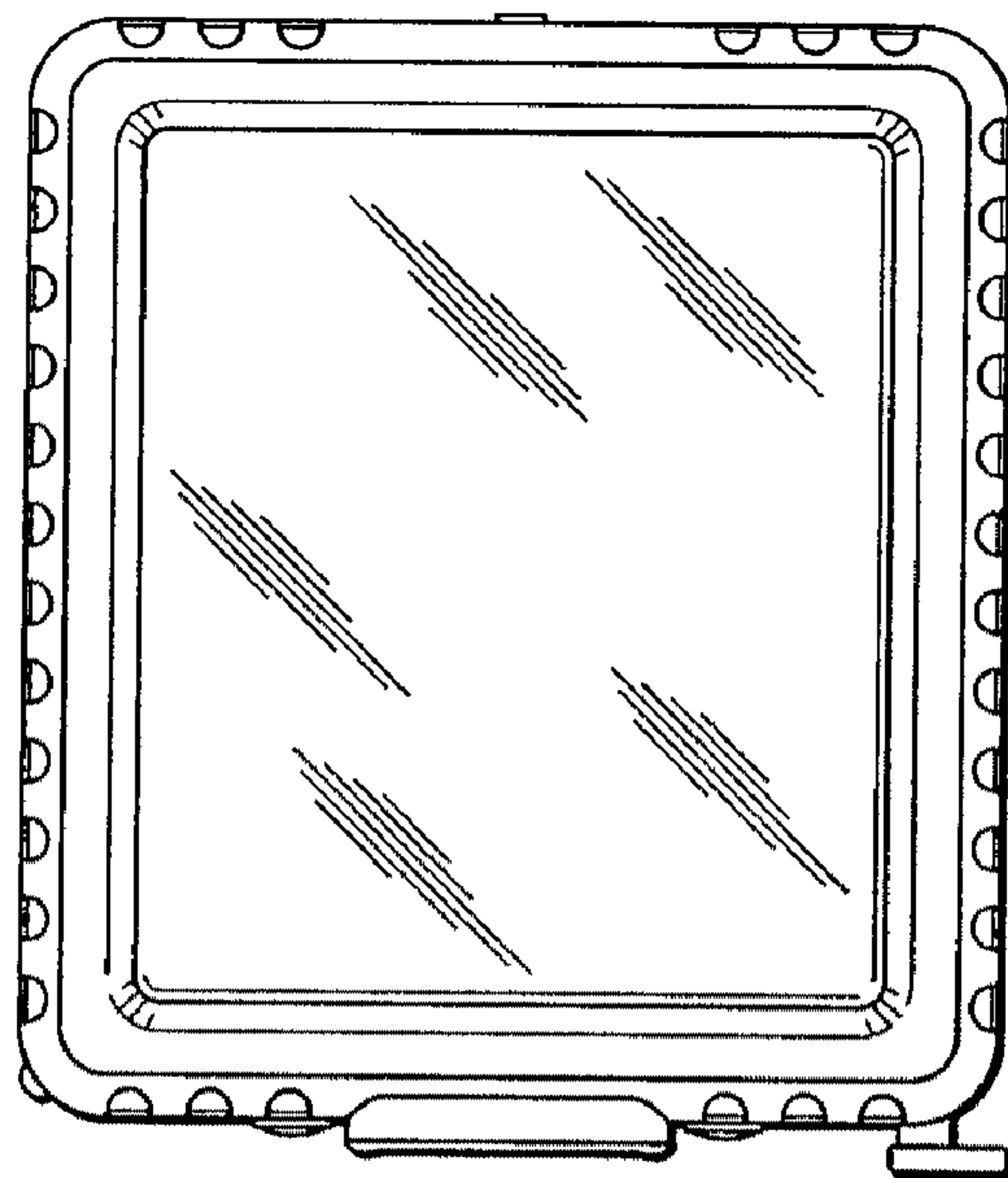


*Fig. 4*

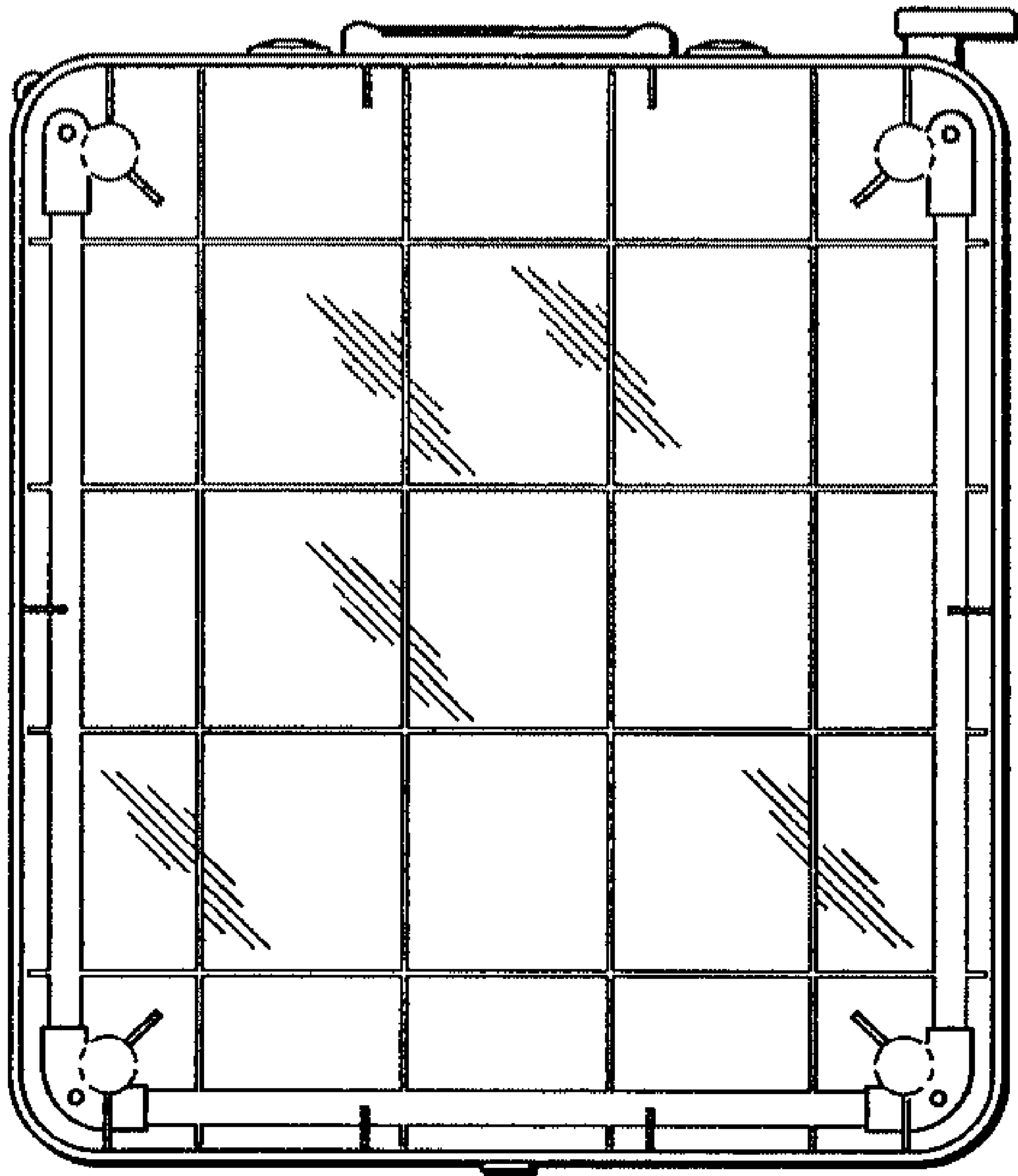


*Fig. 5*

*Fig. 6*







*Fig. 7*