



US00D628846S

(12) **United States Design Patent**
Bodum

(10) **Patent No.:** **US D628,846 S**

(45) **Date of Patent:** **** *Dec. 14, 2010**

(54) **BEVERAGE MAKER**

D490,266 S * 5/2004 Imai D7/318
D536,926 S * 2/2007 Schreitmuller D7/398

(75) Inventor: **Jorgen Bodum**, Meggen (CH)

(73) Assignee: **PI-Design AG**, Triengen (CH)

(**) Term: **14 Years**

(21) Appl. No.: **29/334,778**

(22) Filed: **Apr. 1, 2009**

(30) **Foreign Application Priority Data**

Oct. 31, 2008 (WO) DM/070 919

(51) **LOC (9) Cl.** **07-01**

(52) **U.S. Cl.** **D7/319; D7/317**

(58) **Field of Classification Search** D7/376,
D7/312, 316–319, 322, 399, 392.1; 222/465.1;
99/297, 287, 285, 323.3

See application file for complete search history.

(56) **References Cited**

U.S. PATENT DOCUMENTS

- D342,414 S * 12/1993 Jorgensen D7/317
- D372,627 S * 8/1996 Ireland D7/319
- D382,764 S * 8/1997 Brady D7/317
- D386,040 S * 11/1997 Joergensen D7/317
- D386,351 S * 11/1997 Joergensen D7/319
- D405,641 S * 2/1999 Brady D7/319
- D405,642 S * 2/1999 Toriba D7/319
- 5,939,122 A * 8/1999 Brady 426/474
- D420,251 S * 2/2000 Brady D7/392.1
- D428,757 S * 8/2000 Loffler et al. D7/319
- D436,283 S * 1/2001 Tsubokawa D7/318
- D441,248 S * 5/2001 Brady D7/319
- D448,601 S * 10/2001 Yeh D7/319
- D448,603 S * 10/2001 Yeh D7/319
- D449,957 S * 11/2001 Yeh D7/319
- D457,383 S * 5/2002 Brady D7/392
- D458,074 S * 6/2002 Bodum D7/319
- D458,505 S * 6/2002 Bodum D7/319
- D475,568 S * 6/2003 Bodum D7/319

FOREIGN PATENT DOCUMENTS

WO 2010/003258 A1 1/2010

OTHER PUBLICATIONS

Bodum Catalog 2004/2005, p. 22, showing the classic “Chambord” Coffee Maker.

Primary Examiner—Marianne Pandozzi

(74) *Attorney, Agent, or Firm*—Sughrue Mion, PLLC

(57) **CLAIM**

The ornamental design for a beverage maker, as shown and described.

DESCRIPTION

FIG. 1 is a perspective view of a beverage maker showing my new design;

FIG. 2 is a first side view thereof;

FIG. 3 is a second side view thereof;

FIG. 4 is a third side view thereof;

FIG. 5 is a fourth side view thereof;

FIG. 6 is a Top view thereof;

FIG. 7 is a bottom view thereof;

FIG. 8 is a perspective view of a beverage maker showing a second embodiment of my new design;

FIG. 9 is a first side view thereof;

FIG. 10 is a second side view thereof;

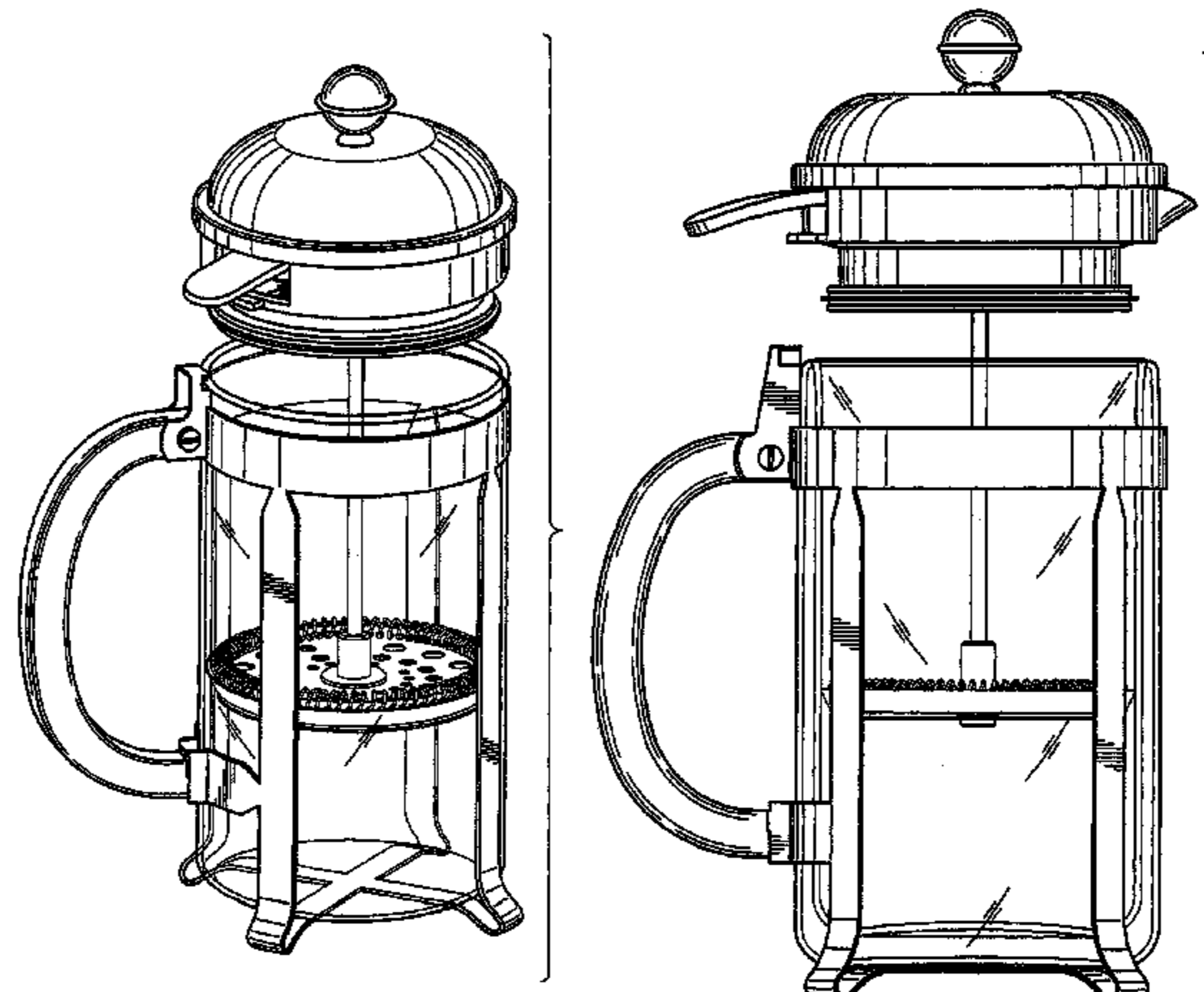
FIG. 11 is a third side view thereof;

FIG. 12 is a fourth side view thereof;

FIG. 13 is a top view thereof; and,

FIG. 14 is a bottom view thereof.

1 Claim, 14 Drawing Sheets



US D628,846 S

Page 2

U.S. PATENT DOCUMENTS

D557,978 S *	12/2007	Bodum	D7/399	D586,178 S *	2/2009	Ku	D7/392.1
D559,028 S *	1/2008	Appleton	D7/317	D588,857 S *	3/2009	Bodum	D7/319
D559,030 S *	1/2008	Bodum	D7/319	D594,267 S *	6/2009	Bodum	D7/319
D563,713 S *	3/2008	Bodum	D7/319	D598,696 S *	8/2009	Bodum	D7/319
D565,887 S *	4/2008	Bodum	D7/319	D602,304 S *	10/2009	Elissen	D7/318
D566,454 S *	4/2008	Bodum	D7/319	D603,209 S *	11/2009	Bodum	D7/319
				D610,860 S *	3/2010	Bodum	D7/319

* cited by examiner

FIG. 1

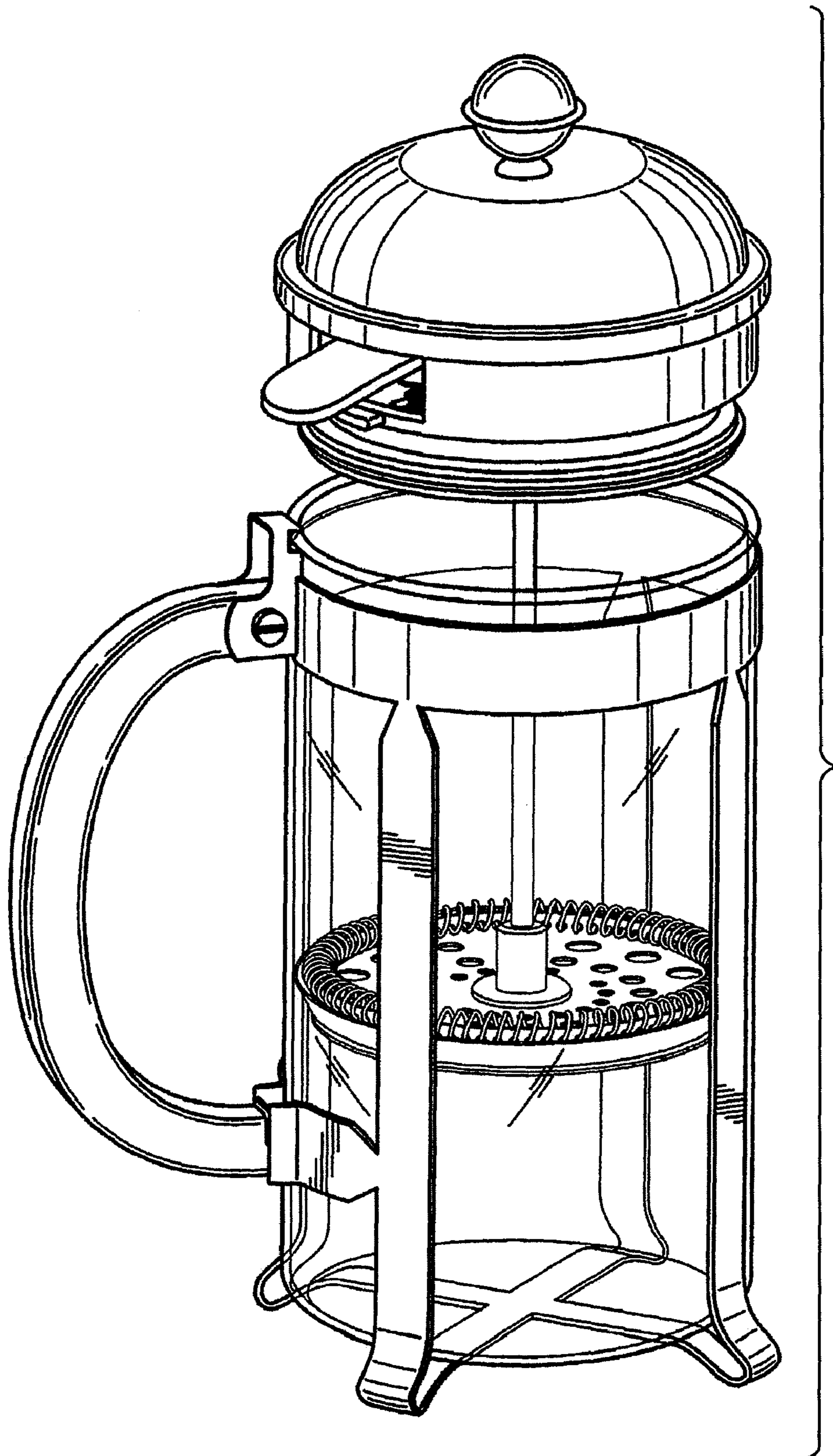


FIG. 2

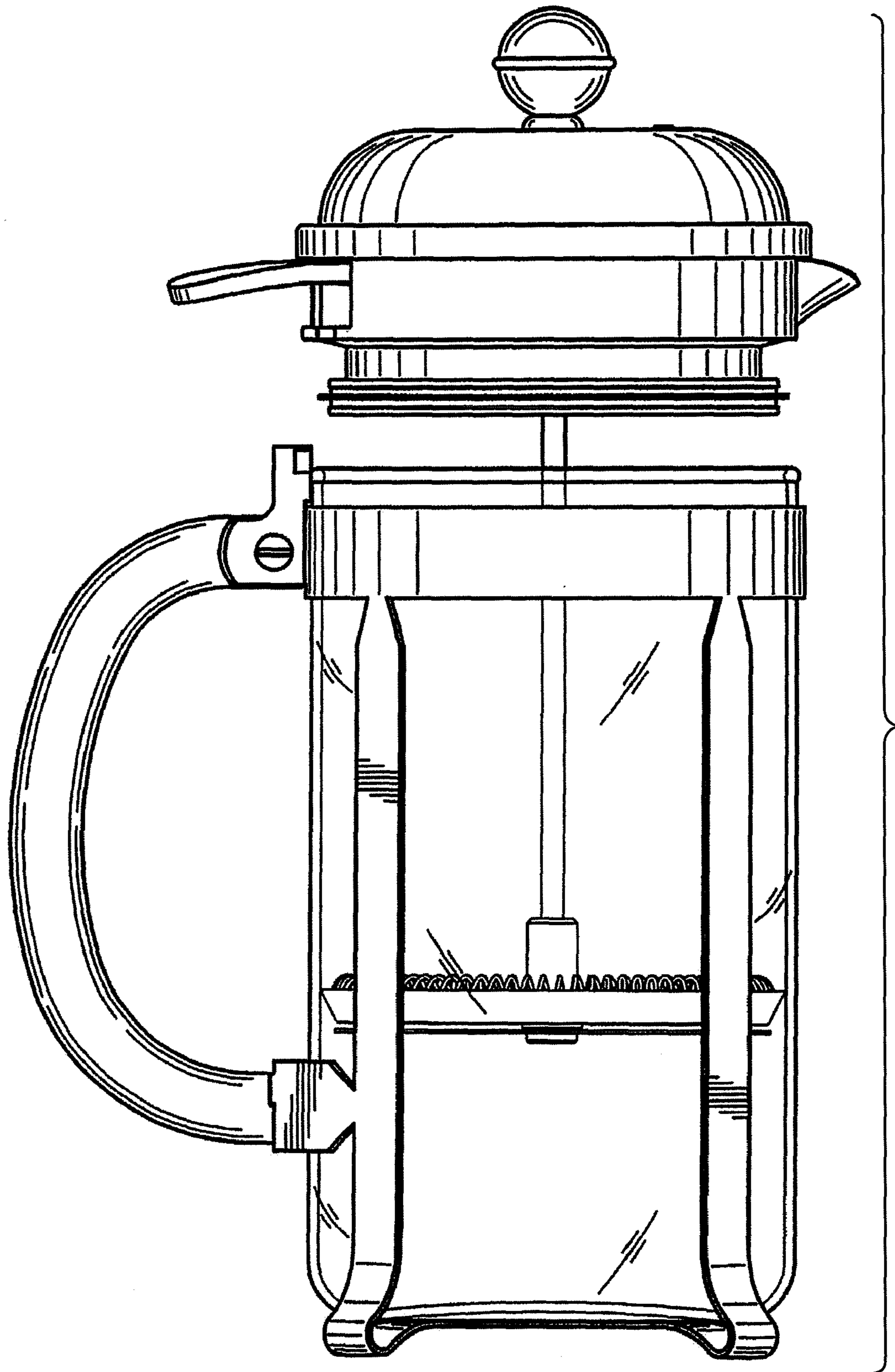


FIG. 3

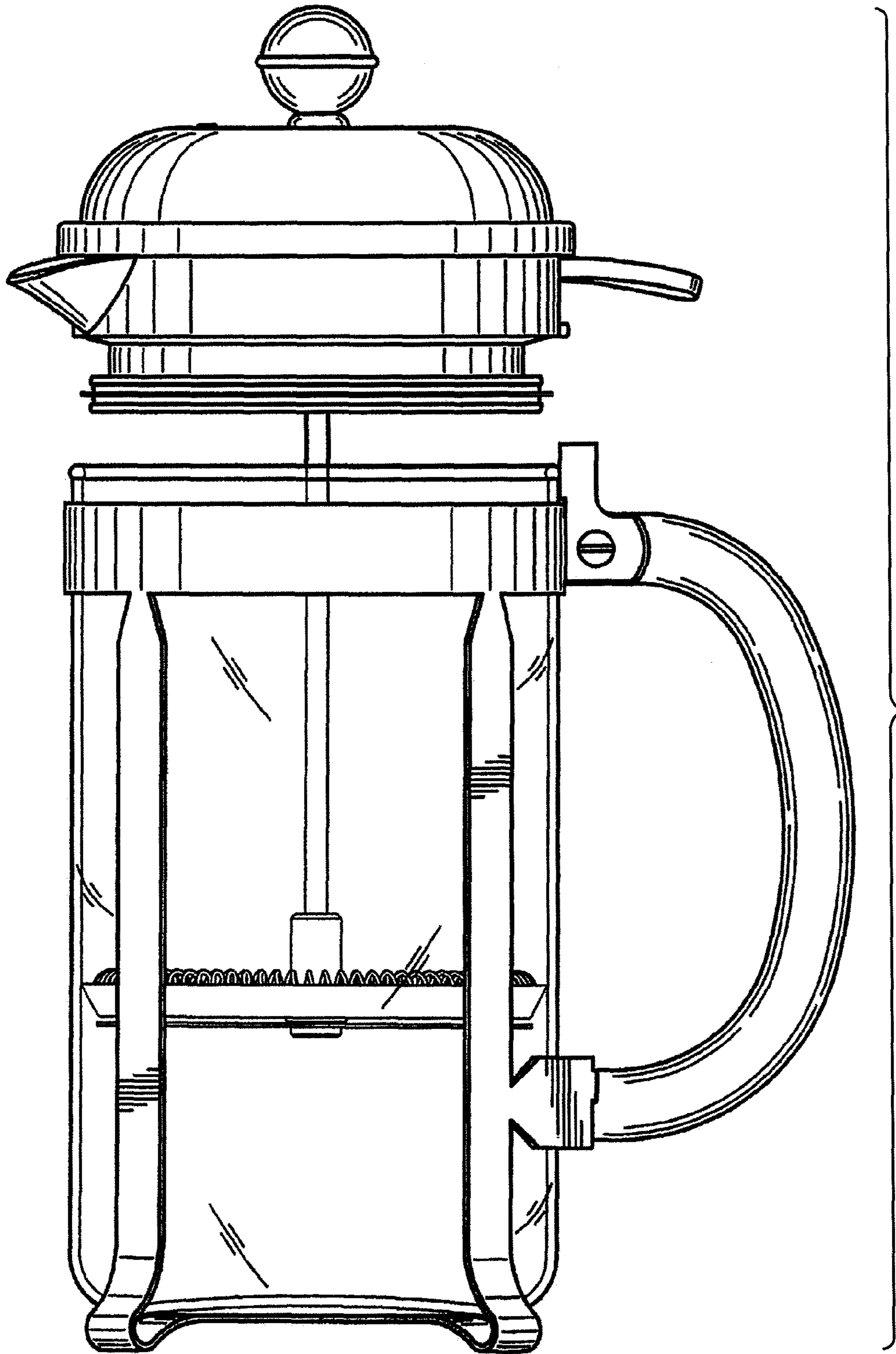


FIG. 4

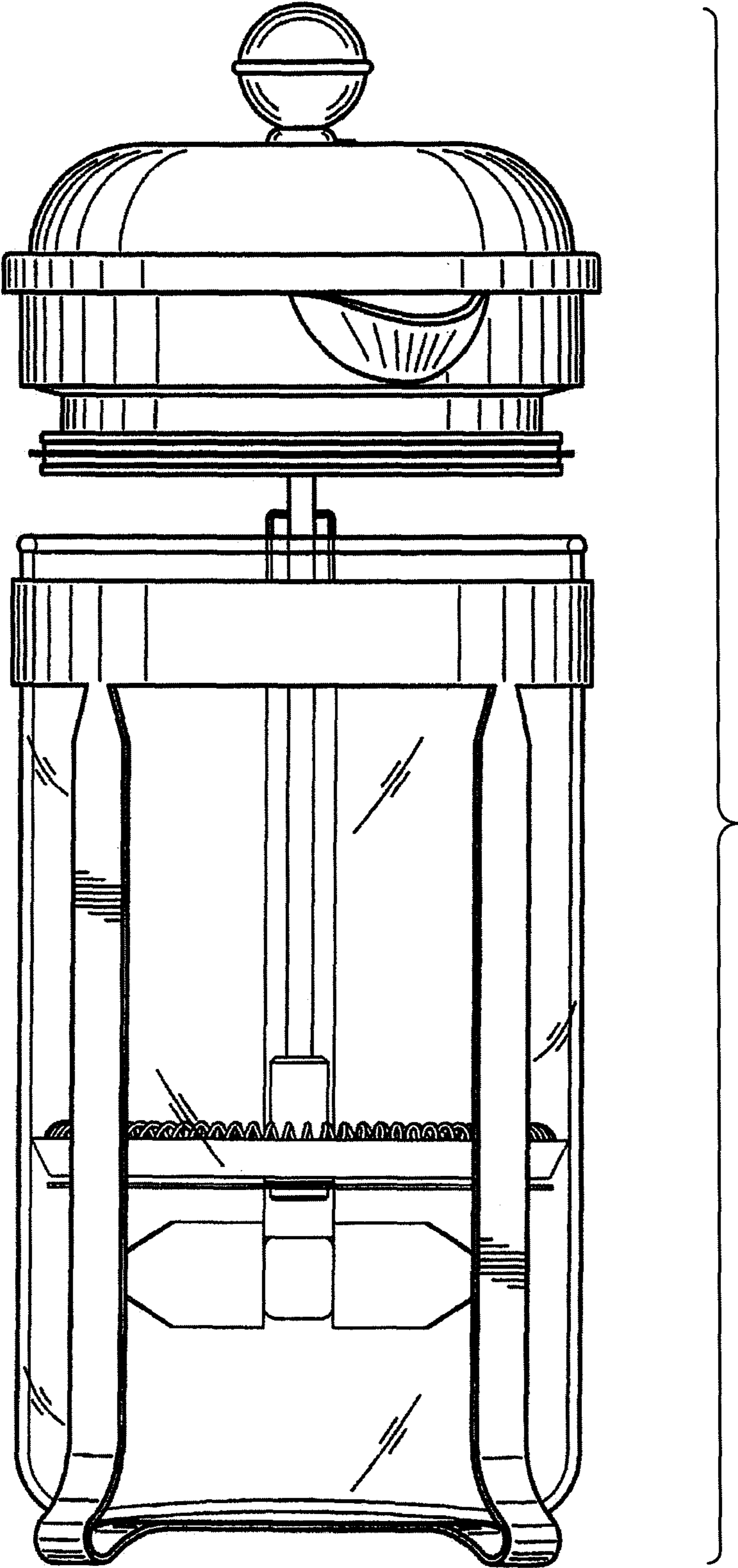


FIG. 5

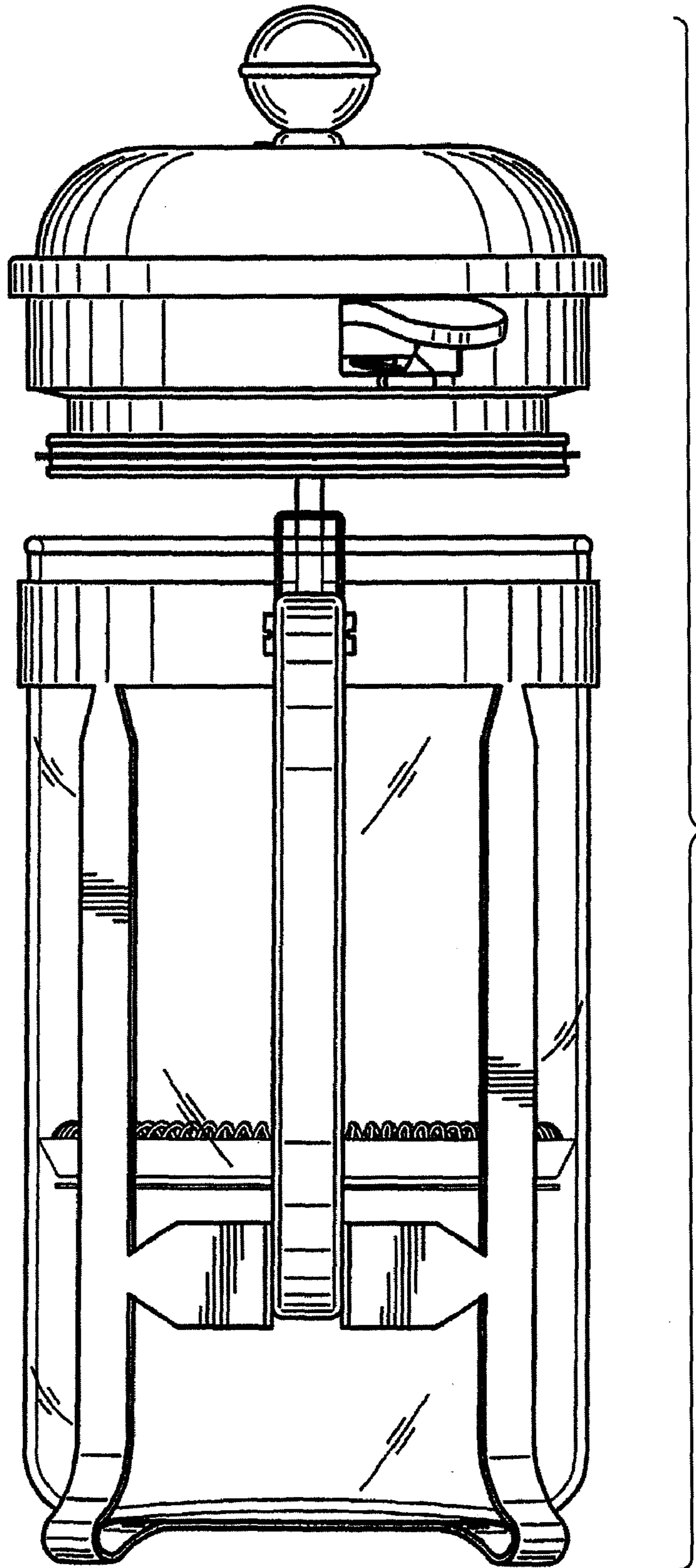


Figure 6

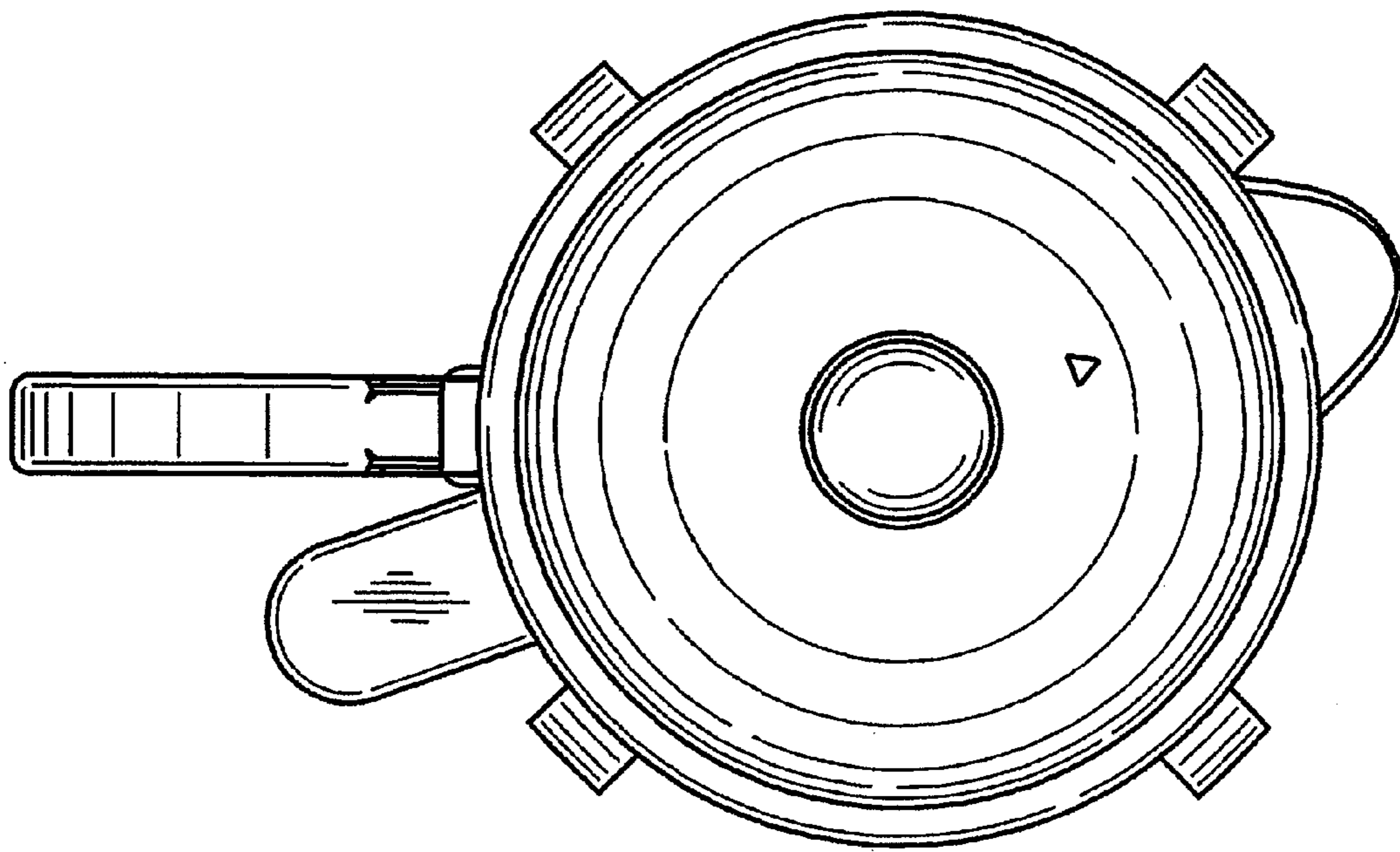


Figure 7

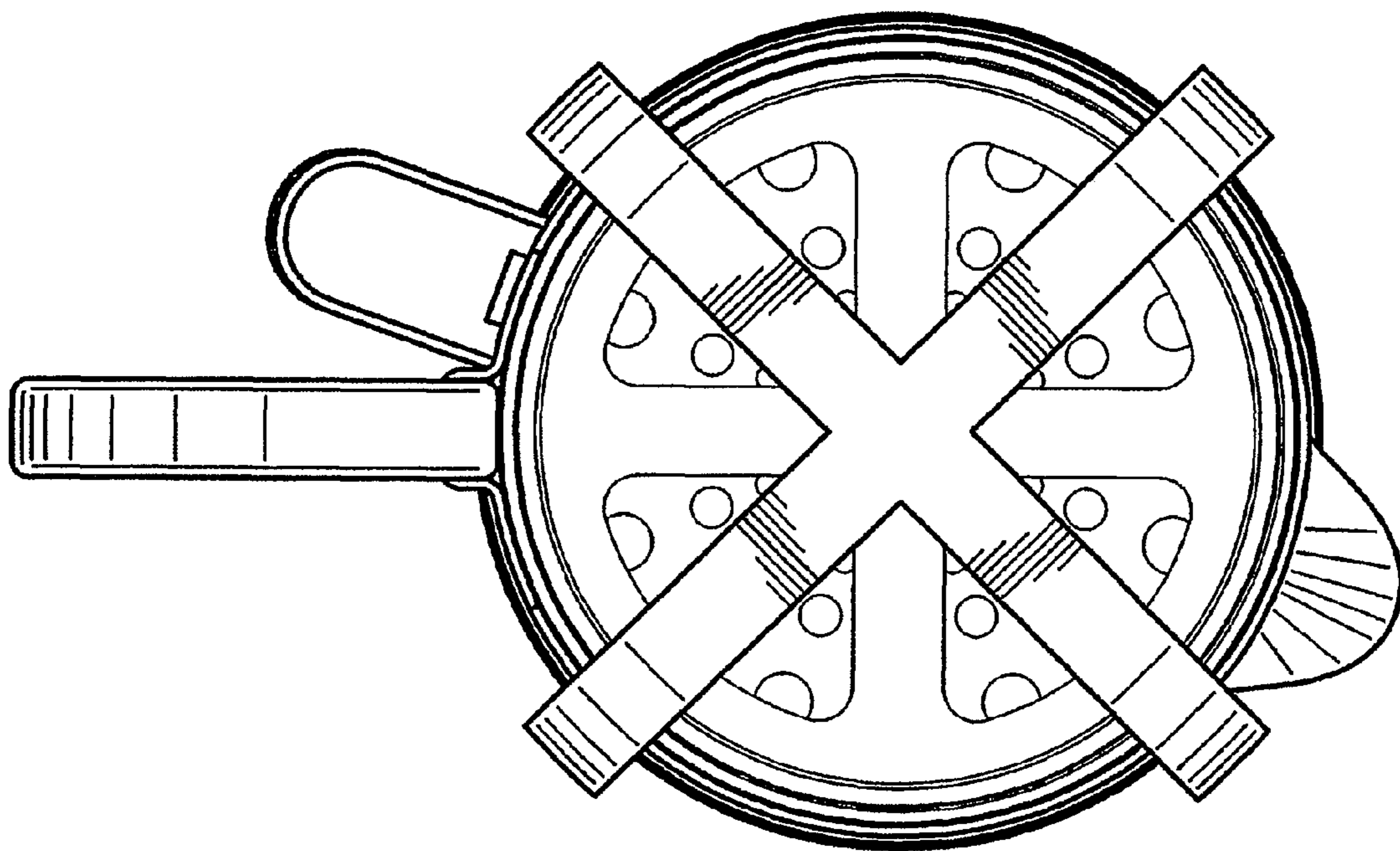


FIG. 8

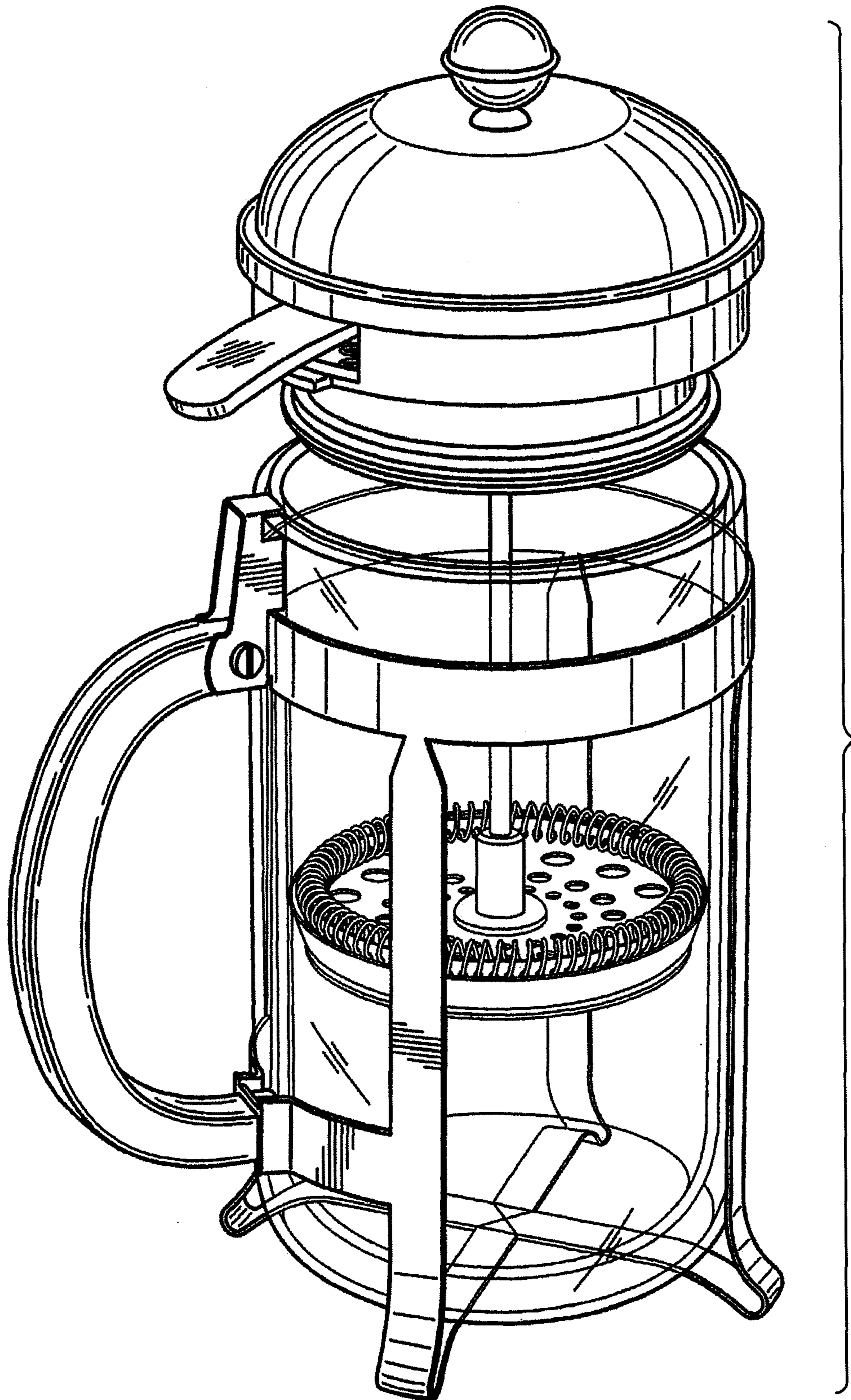


FIG. 9

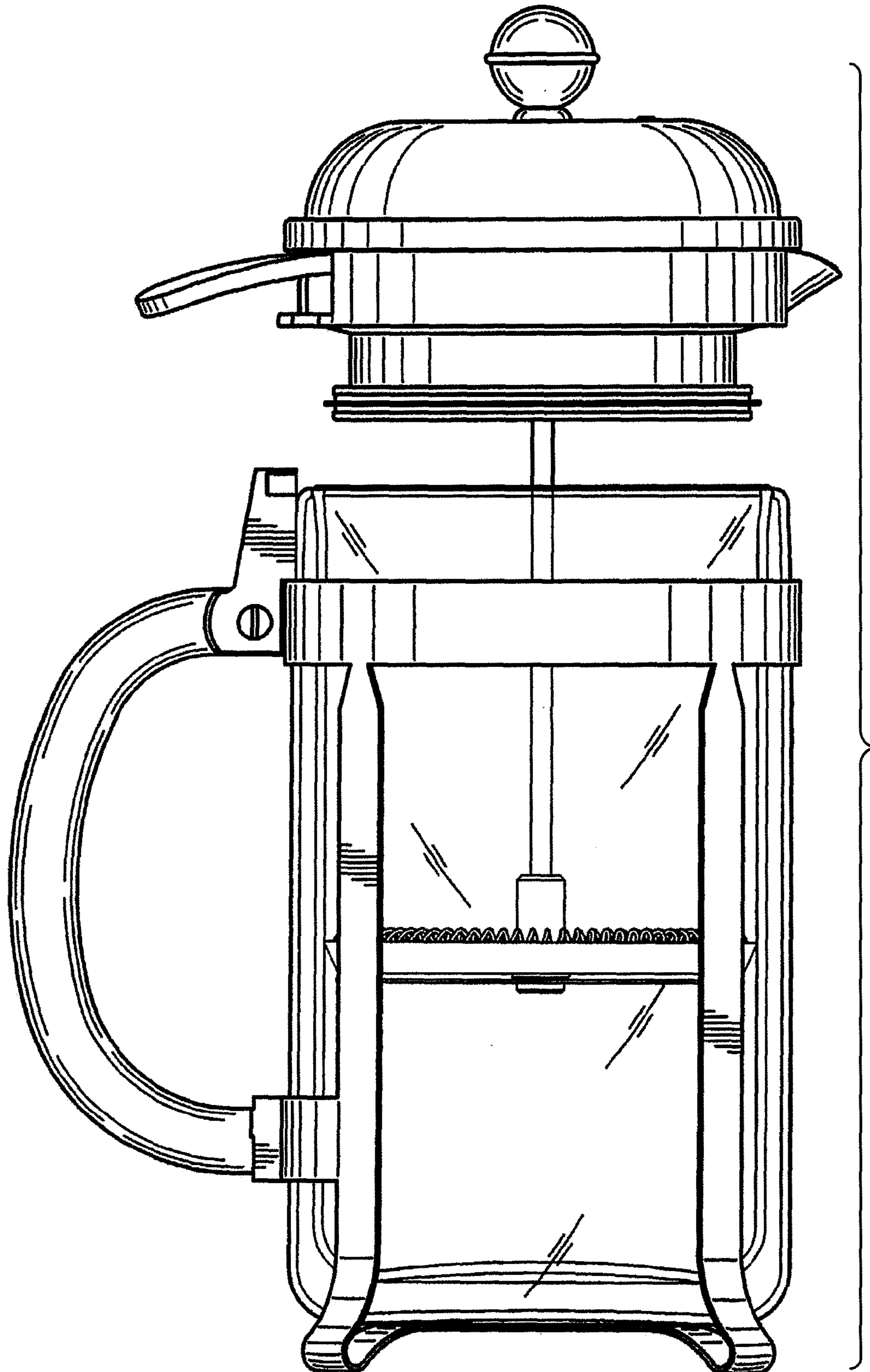


FIG. 10

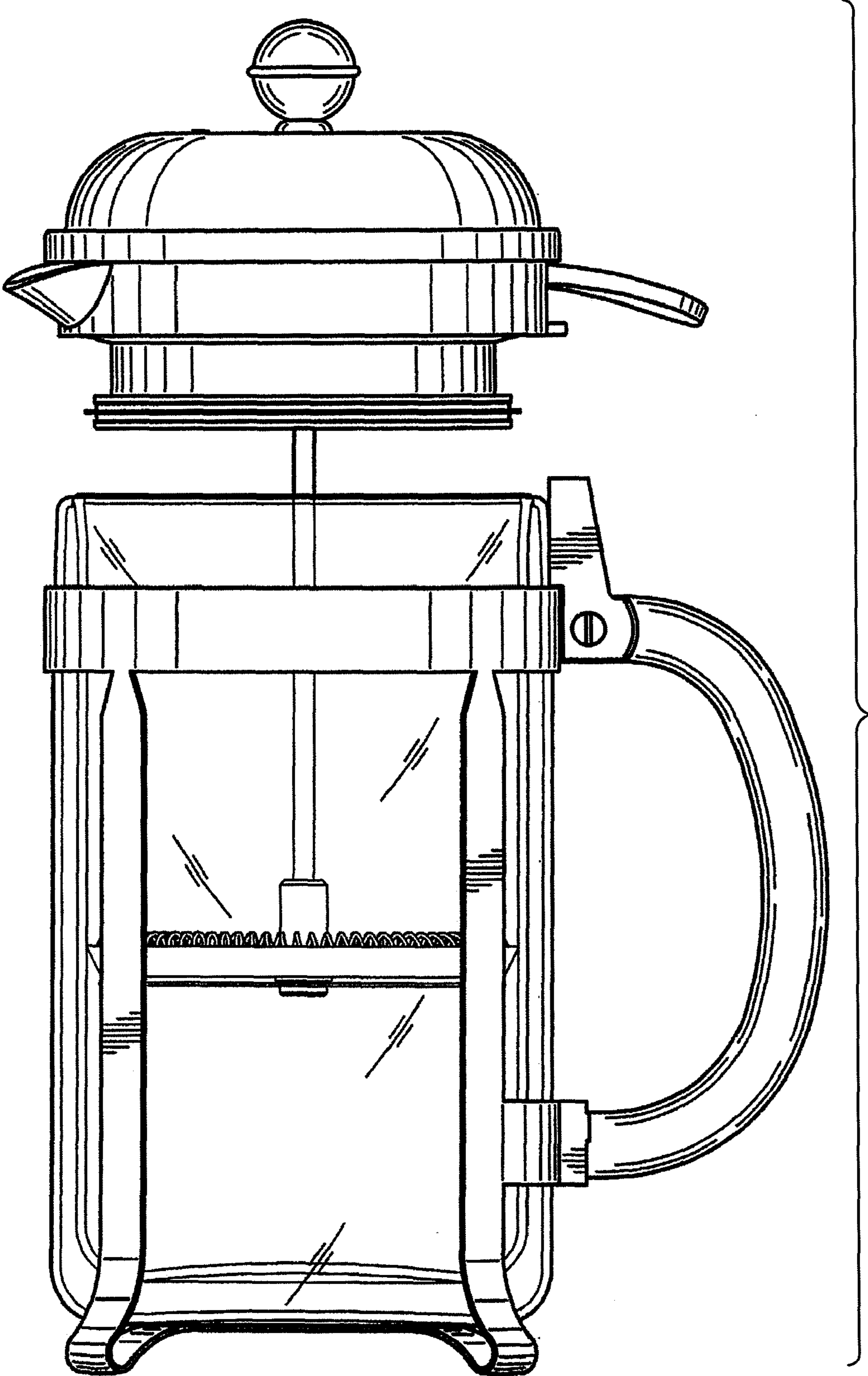


FIG. 11

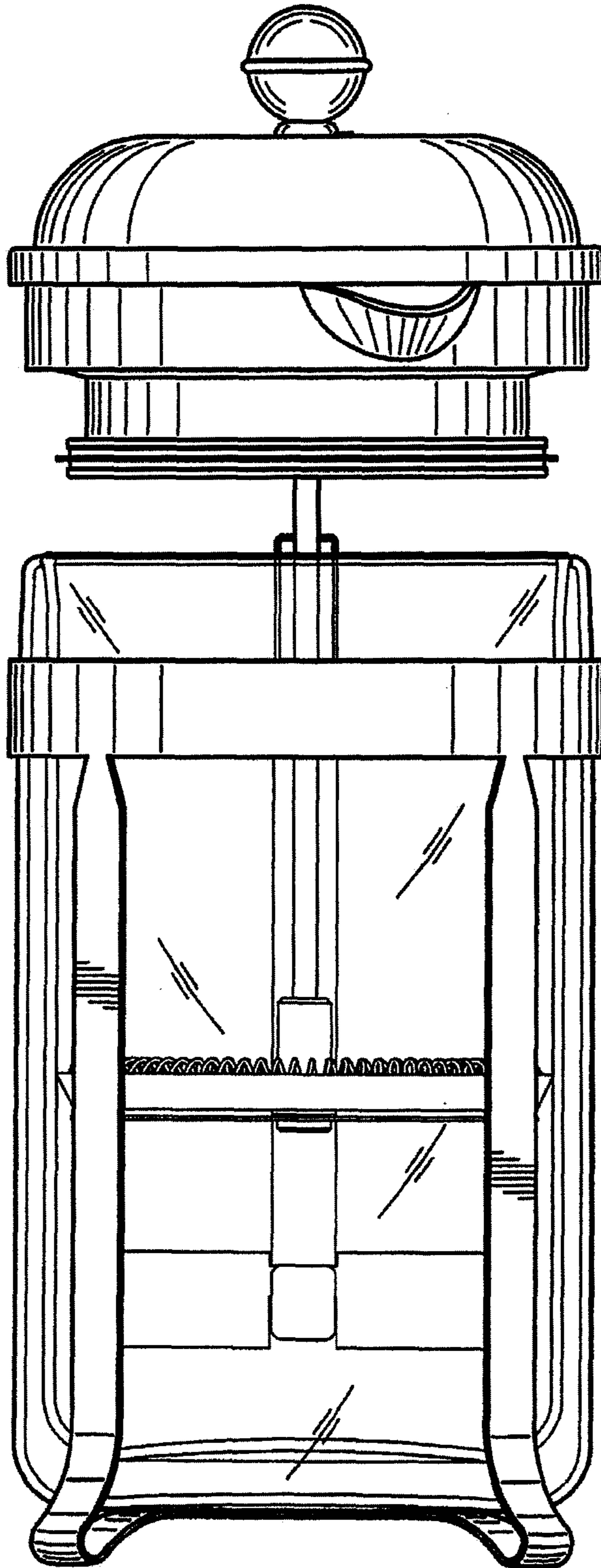


FIG. 12

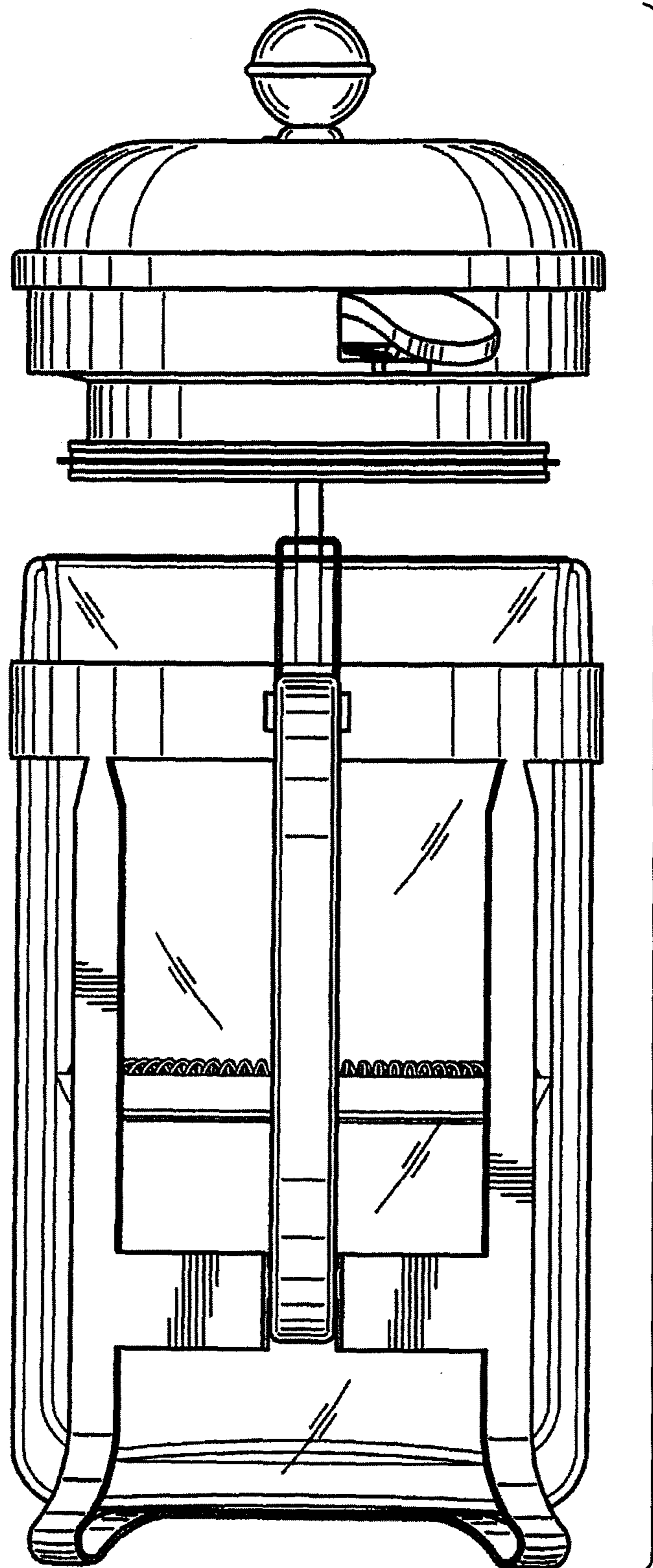


Figure 13

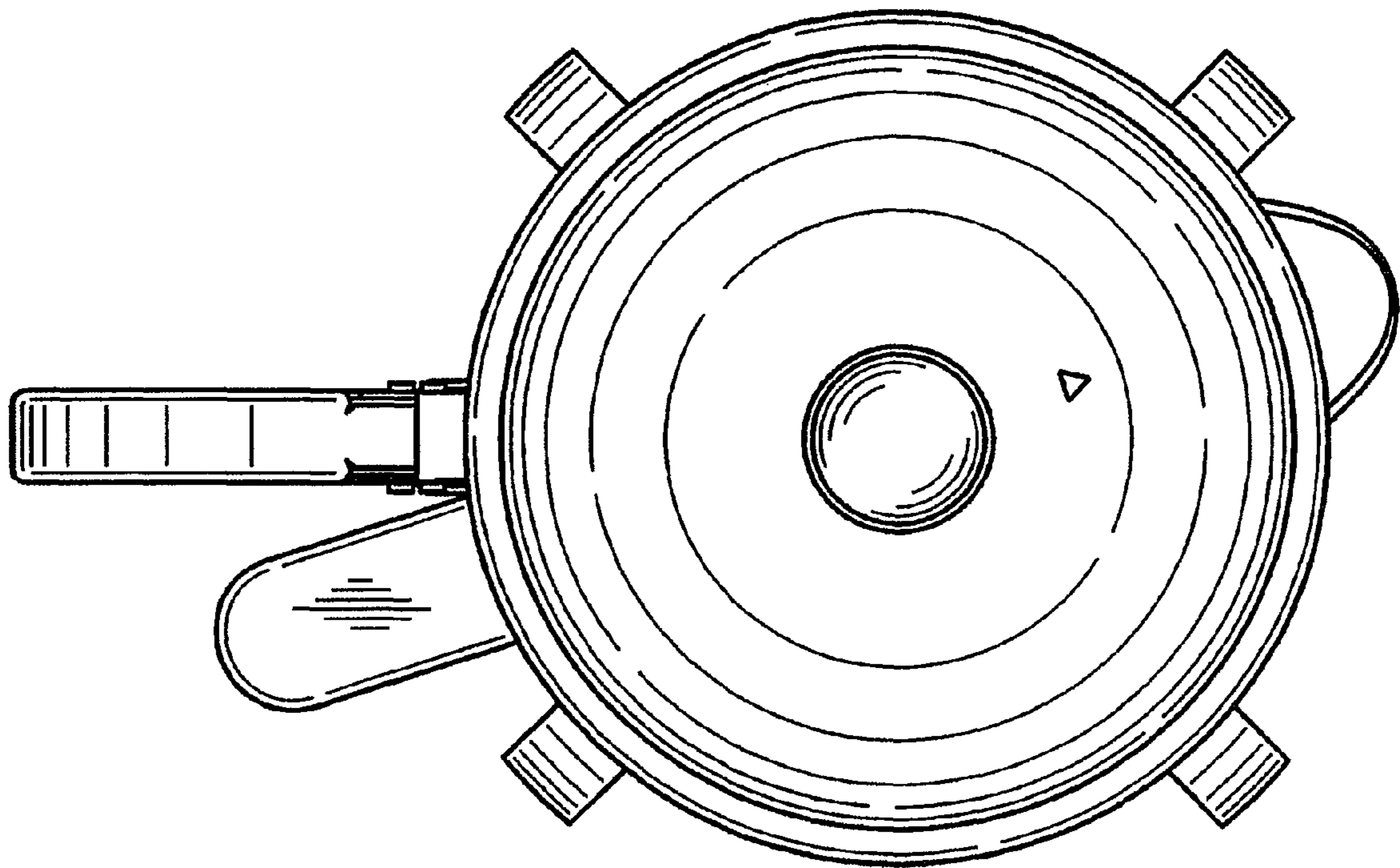


Figure 14

