



US00D628842S

(12) **United States Design Patent**
Guindi

(10) **Patent No.:** **US D628,842 S**
(45) **Date of Patent:** **** Dec. 14, 2010**

(54) **LETTER RACK**

(75) Inventor: **Henry V. Guindi**, Brooklyn, NY (US)

(73) Assignee: **HDS Trading Corp.**, North Brunswick, NJ (US)

(**) Term: **14 Years**

(21) Appl. No.: **29/359,577**

(22) Filed: **Apr. 13, 2010**

(51) **LOC (9) Cl.** **06-04**

(52) **U.S. Cl.** **D6/566**

(58) **Field of Classification Search** D6/512-514,
D6/553, 566, 567, 569, 315, 320, 327; D8/349,
D8/354, 367, 372; 248/301-304, 309.1,
248/309.2; 211/13.1, 30, 32, 70.6, 56.01,
211/87.01, 181.1

See application file for complete search history.

(56) **References Cited**

U.S. PATENT DOCUMENTS

D540,091 S	*	4/2007	Snell	D6/566
D567,561 S	*	4/2008	Rodriguez et al.	D6/566
D578,816 S	*	10/2008	Goodman et al.	D6/566
D584,091 S	*	1/2009	Goodman et al.	D6/566

* cited by examiner

Primary Examiner—Brian N Vinson

(74) *Attorney, Agent, or Firm*—Rankin, Hill & Clark LLP

(57) **CLAIM**

The ornamental design for a letter rack, as shown and described.

DESCRIPTION

FIG. 1 is a front left perspective view of a letter rack showing my new design;

FIG. 2 is a front elevational view thereof;

FIG. 3 is a left side view thereof;

FIG. 4 is a rear elevational view thereof;

FIG. 5 is a top plan view thereof;

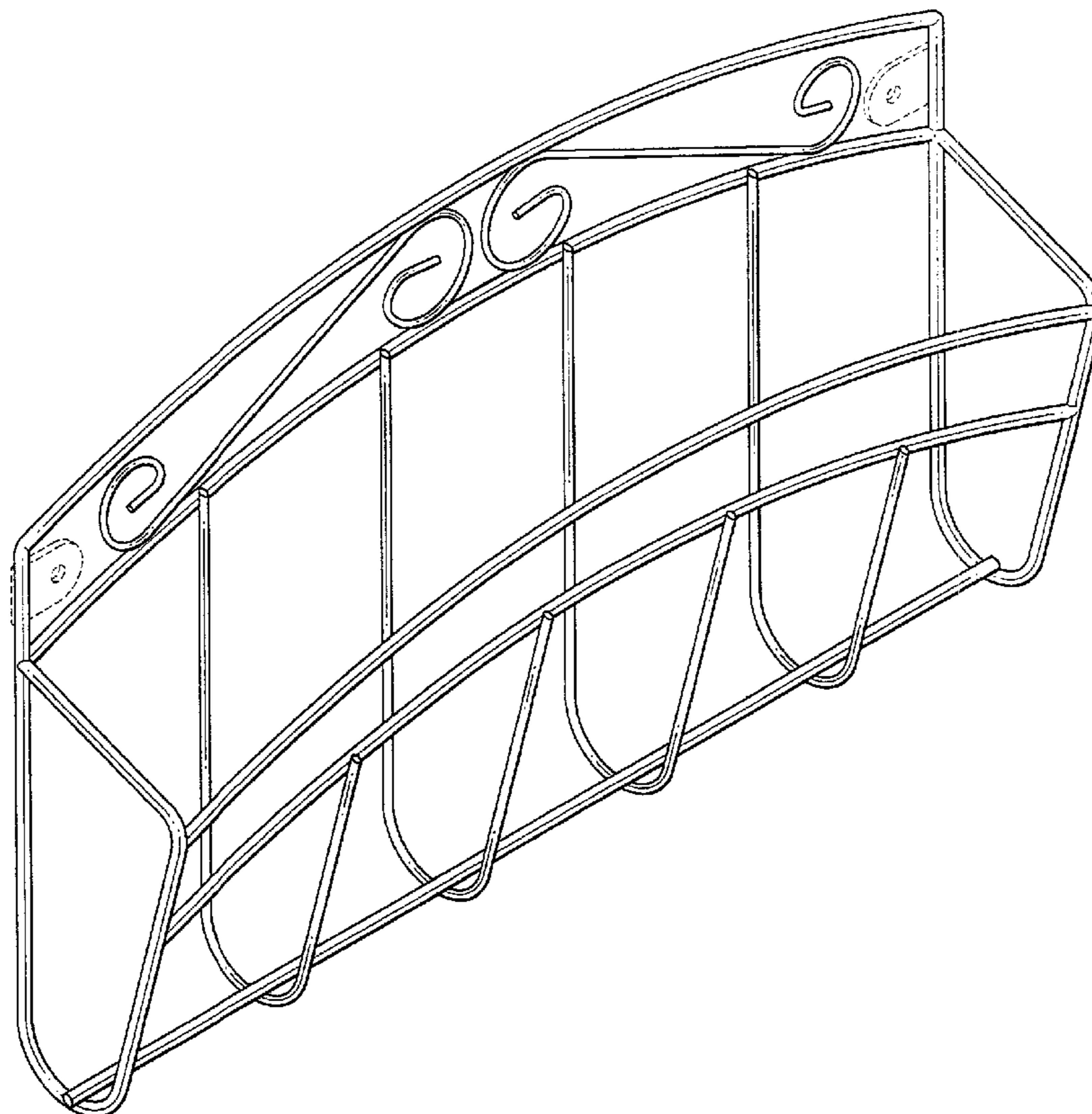
FIG. 6 is a bottom plan view thereof;

FIG. 7 is an additional front left perspective view thereof; and,

FIG. 8 is an additional front left perspective view thereof.

The broken-line disclosure in the views is understood to represent portions of the article in which the claimed design is embodied, but which form no part of the claimed design.

1 Claim, 8 Drawing Sheets



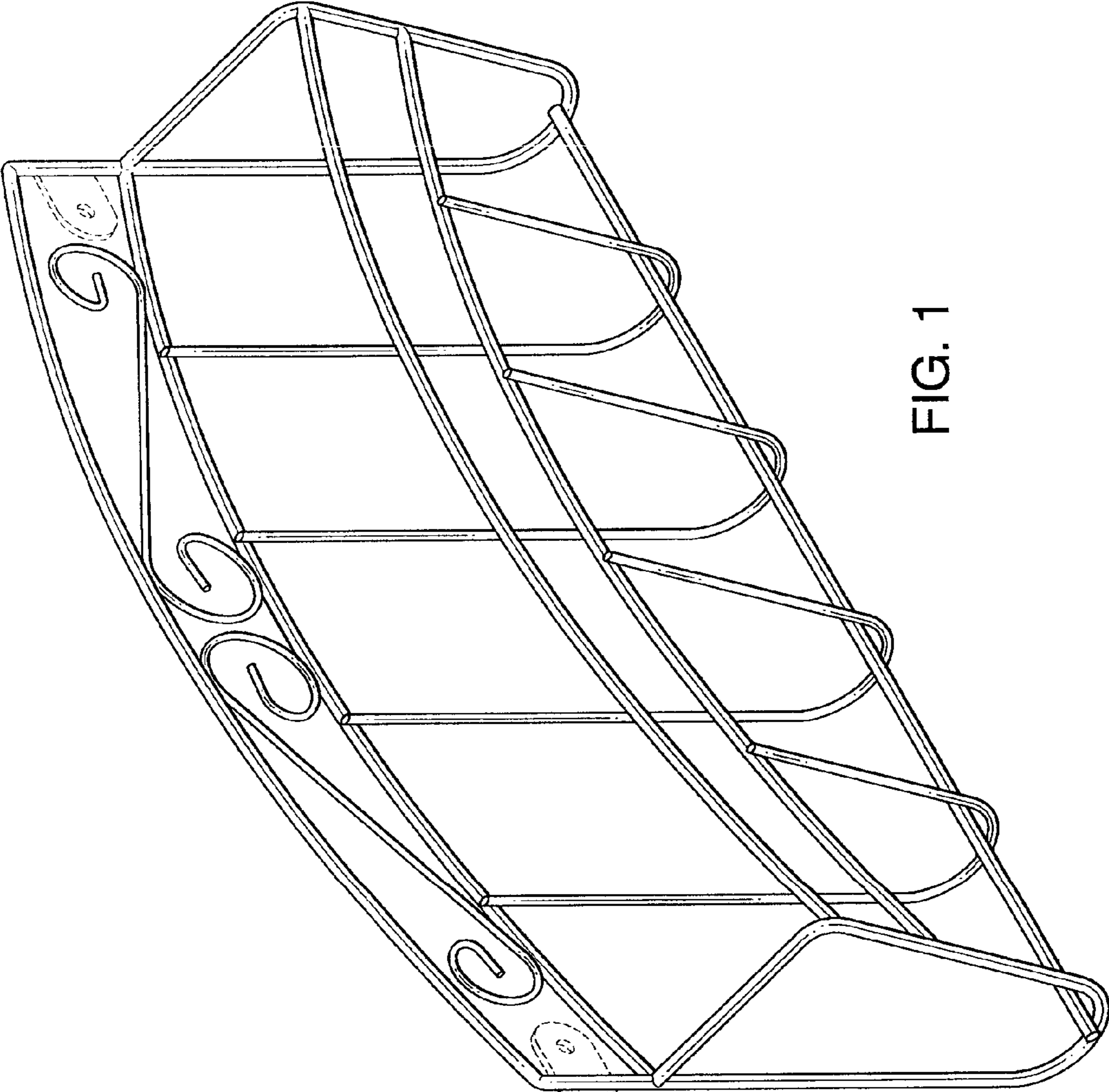


FIG. 1

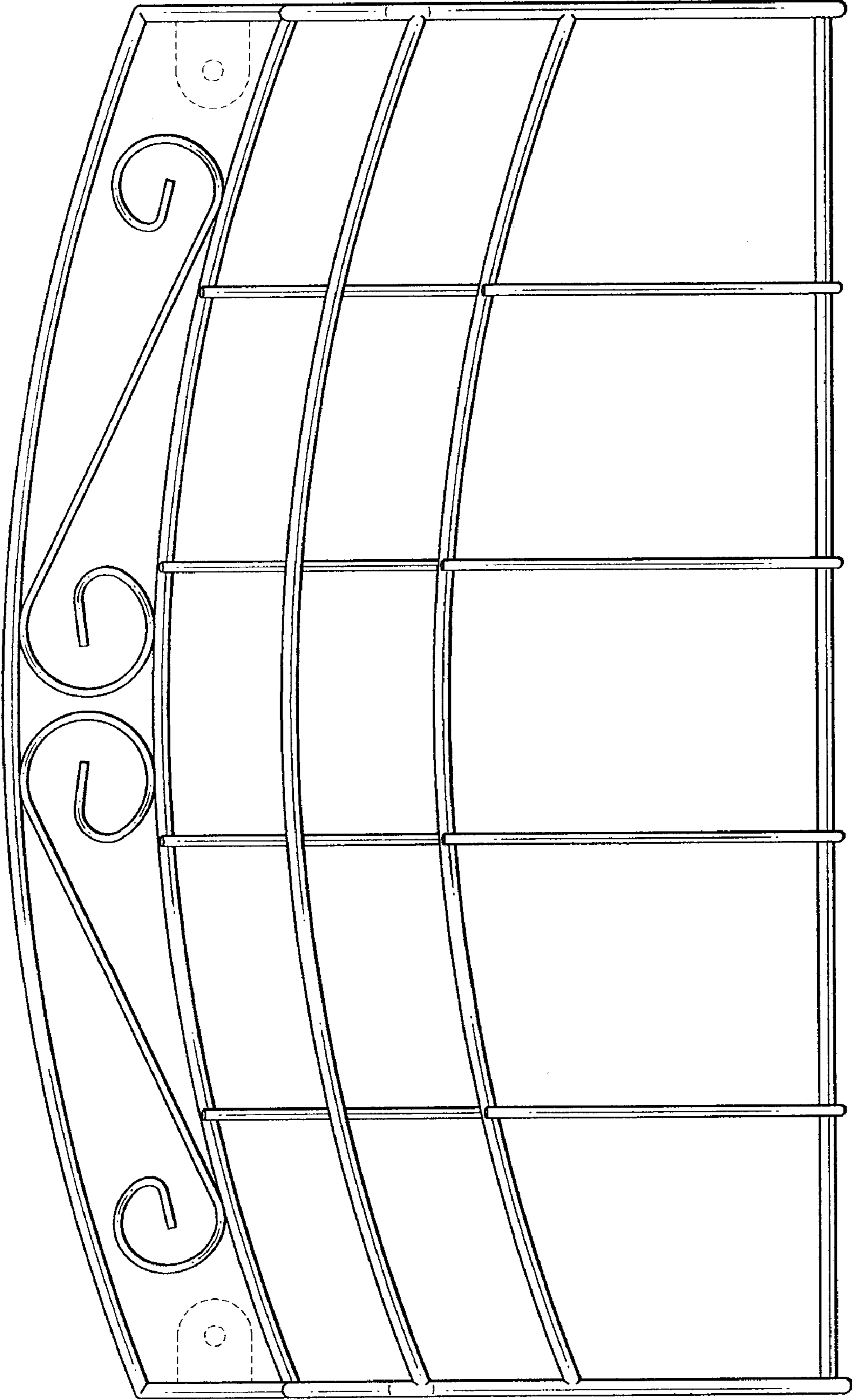


FIG. 2

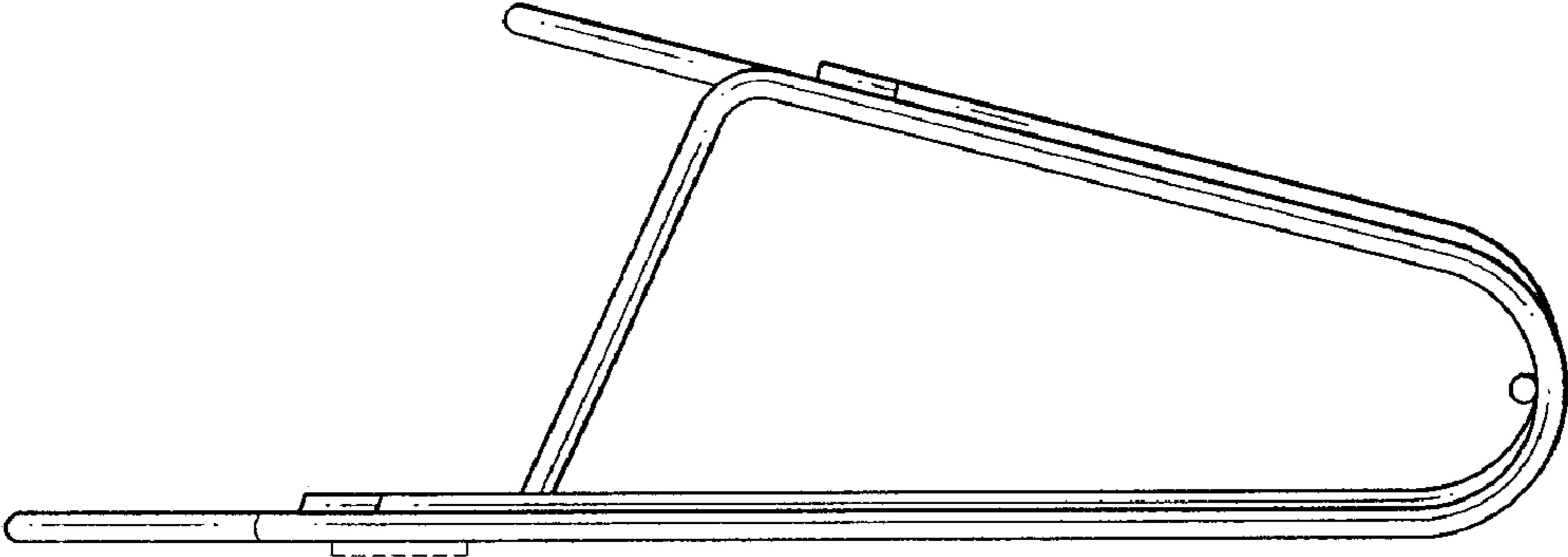


FIG. 3

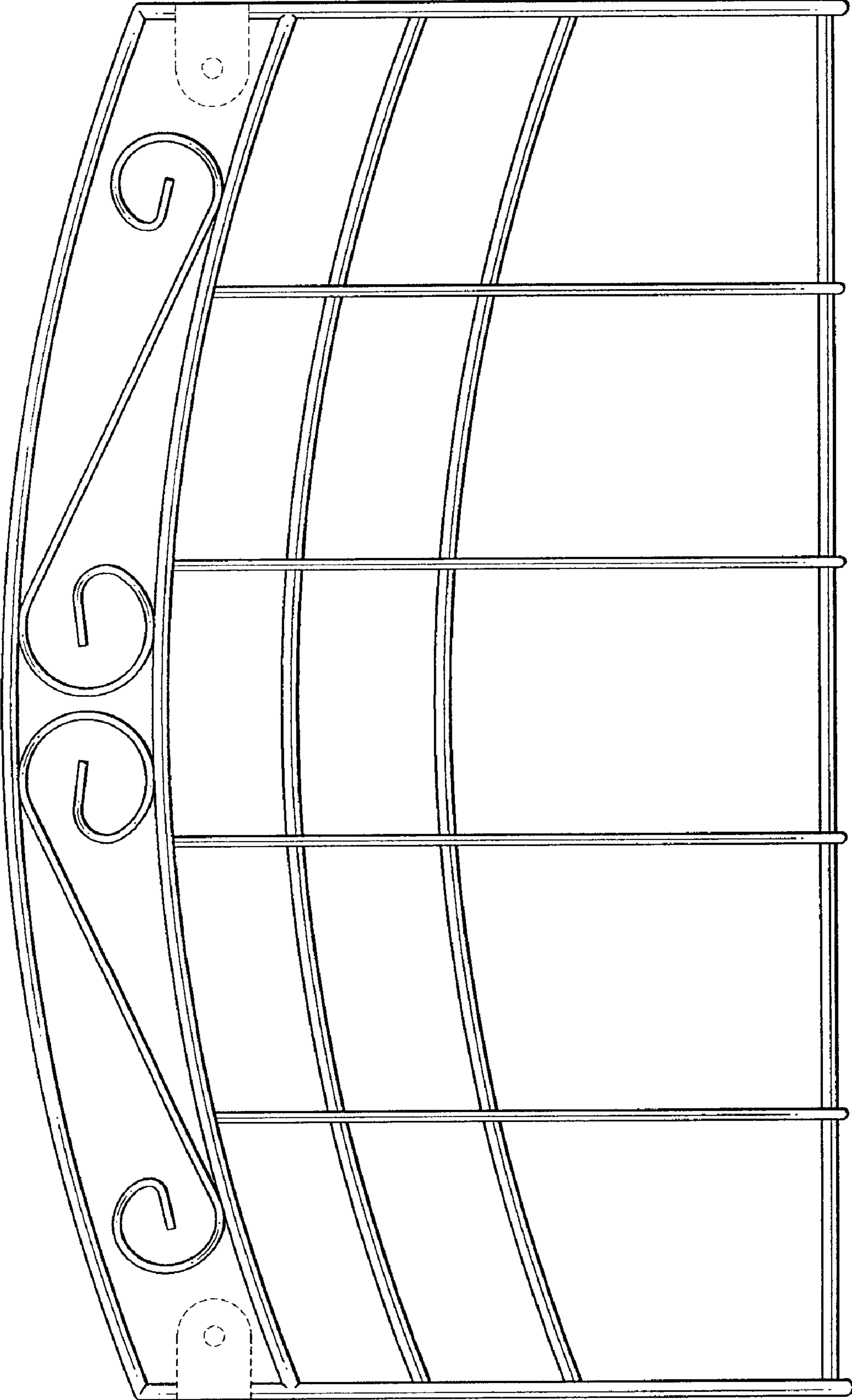


FIG. 4

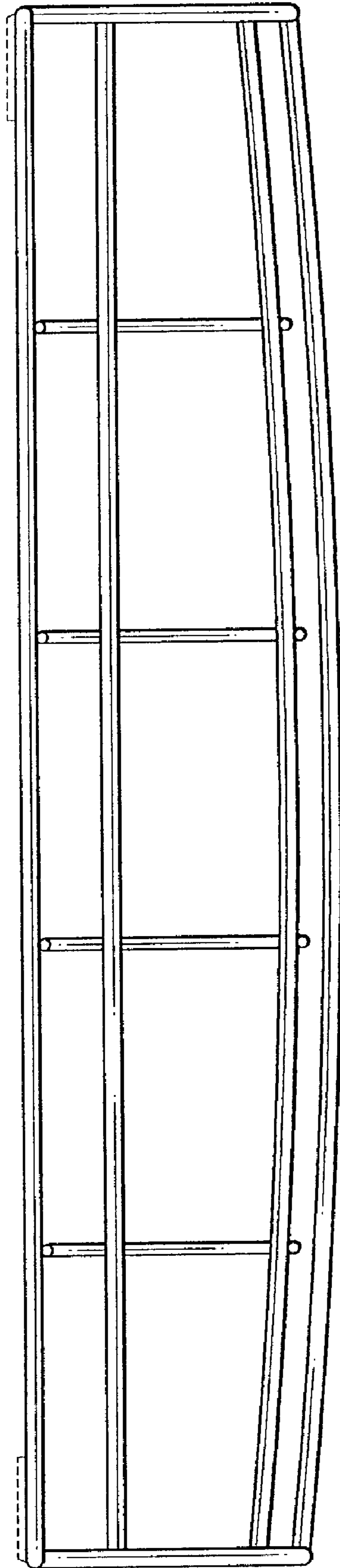


FIG. 5

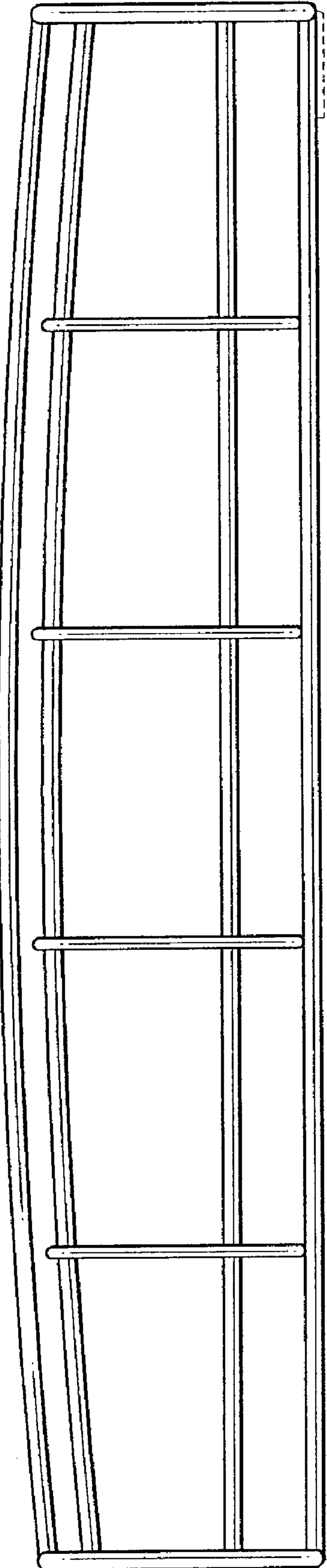


FIG. 6

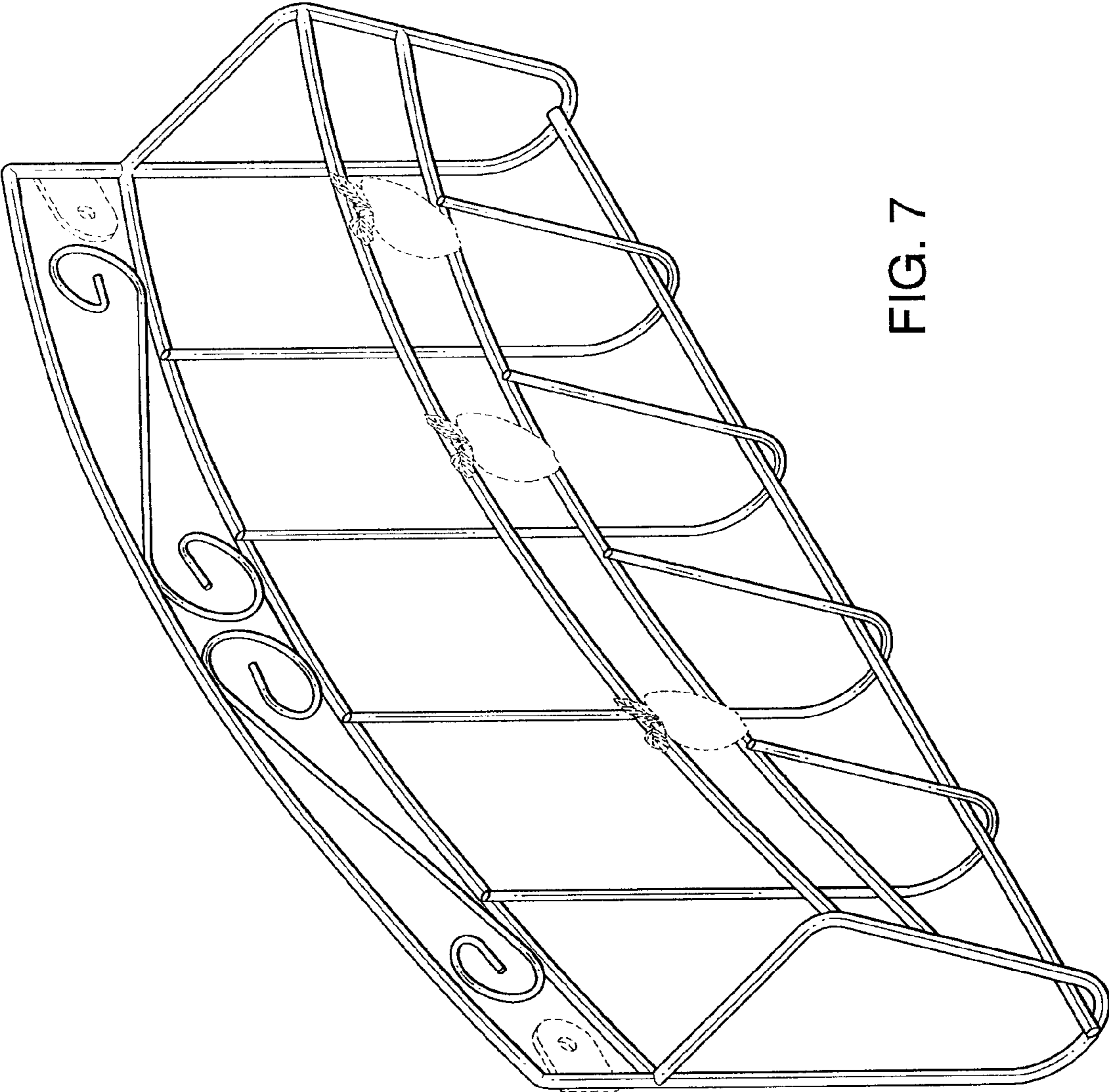


FIG. 7

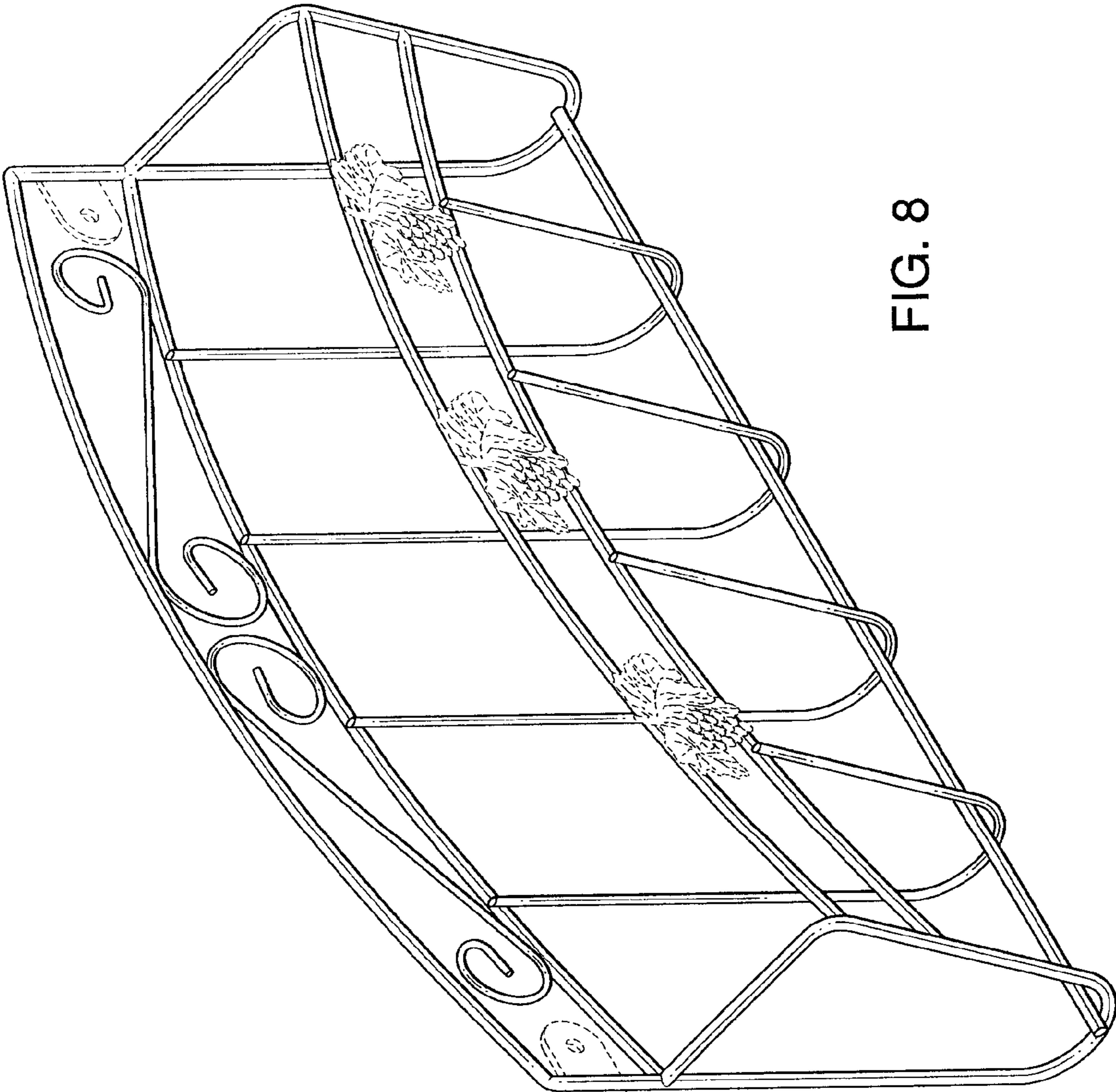


FIG. 8