



US00D628841S

(12) **United States Design Patent**
Yang et al.

(10) **Patent No.:** **US D628,841 S**

(45) **Date of Patent:** **** Dec. 14, 2010**

(54) **SHELVING SYSTEM**

(75) Inventors: **Frank Yang**, Rancho Palos Verdes, CA (US); **Tzu-Hao Wei**, Hacienda Heights, CA (US); **Di-Fong Chang**, Torrance, CA (US); **Myk Wayne Lum**, Irvine, CA (US); **Joseph Dieudonne Morin**, Mission Viejo, CA (US)

(73) Assignee: **simplehuman, LLC**, Torrance, CA (US)

(**) Term: **14 Years**

(21) Appl. No.: **29/351,158**

(22) Filed: **Dec. 1, 2009**

(51) **LOC (9) Cl.** **06-04**

(52) **U.S. Cl.** **D6/553; D6/525; D8/376**

(58) **Field of Classification Search** D6/512, D6/524, 525, 527, 532, 553, 567, 574; D8/349, D8/354, 363, 373, 376, 380; 211/13.1, 71.01, 211/86.01, 87.01, 88.01, 90.01, 90.03, 90.04, 211/105.1, 105.3, 106, 123, 126.1, 134, 181.1; 4/610, 558

See application file for complete search history.

(56) **References Cited**

U.S. PATENT DOCUMENTS

141,186 A	7/1873	Thomas
163,852 A	6/1875	Denman
181,593 A	8/1876	Randall
387,758 A	8/1888	Barnhart
434,708 A	8/1890	Grier
475,020 A	5/1892	Perry
477,291 A	6/1892	Bomar
496,961 A	5/1893	Trude
543,935 A	8/1895	Hostler
612,061 A	10/1898	Shambaugh
613,231 A	11/1898	Bennett
618,425 A	1/1899	Manger
626,739 A	6/1899	Vanderman
644,080 A	2/1900	Huebel
839,339 A	12/1906	Tuttle
845,917 A	3/1907	Worley

913,955 A	3/1909	Hansen
970,485 A	9/1910	Frey
1,026,149 A	5/1912	Crane
1,446,036 A	2/1923	Dodd
1,478,339 A	12/1923	Jayne
1,511,704 A	10/1924	Buck
1,554,137 A	9/1925	Slifkin
1,582,762 A	4/1926	Klock
2,012,452 A	8/1935	Littell
2,042,517 A	6/1936	Ellis
2,254,770 A	9/1941	Bitney

(Continued)

OTHER PUBLICATIONS

U.S. Appl. No. 12/628,453, filed Dec. 1, 2009, Yang et al.

(Continued)

Primary Examiner—Brian N Vinson
(74) *Attorney, Agent, or Firm*—Knobbe, Martens, Olson & Bear, LLP

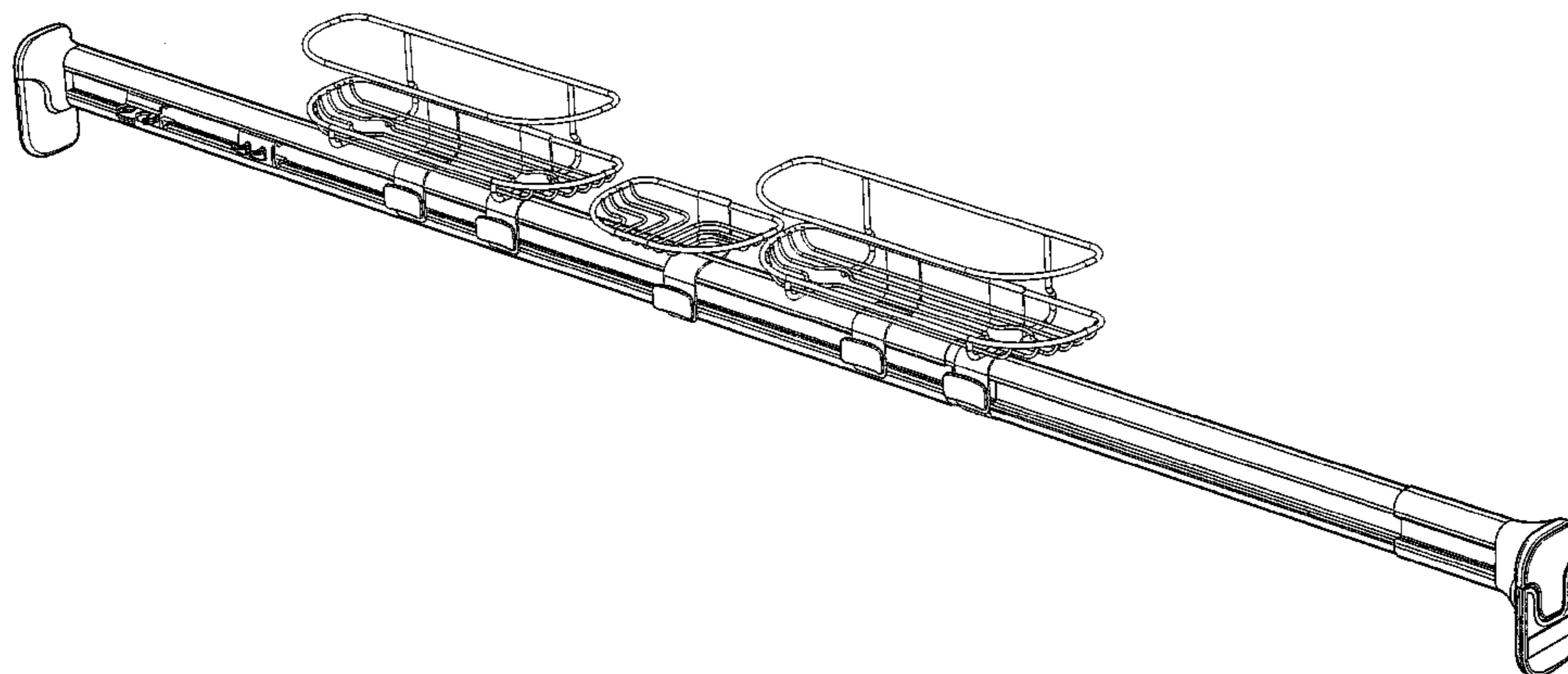
(57) **CLAIM**

The ornamental design for a shelving system, as shown and described.

DESCRIPTION

FIG. 1 is a front, top, and left side perspective view of a shelving system embodying my new design;
FIG. 2 is a front elevational view thereof;
FIG. 3 is a left side elevational view thereof, the right side elevational view being a mirror image of the left side elevational view;
FIG. 4 is a top plan view thereof;
FIG. 5 is a bottom plan view thereof; and,
FIG. 6 is a rear elevational view thereof.

1 Claim, 6 Drawing Sheets



US D628,841 S

Page 2

U.S. PATENT DOCUMENTS						
			5,429,252	A *	7/1995	Liu 211/105.1
2,513,889	A	7/1950	5,462,178	A	10/1995	Wallach et al.
2,677,519	A	5/1954	5,483,761	A	1/1996	Simpson
2,746,661	A	5/1956	5,505,318	A	4/1996	Goff
2,923,415	A	2/1960	5,524,772	A	6/1996	Simmons
2,932,873	A	4/1960	5,632,049	A	5/1997	Chen
2,937,766	A	5/1960	D382,733	S	8/1997	Goetz
2,941,669	A	6/1960	5,666,940	A	9/1997	Kreiter
D188,332	S	7/1960	5,702,010	A *	12/1997	Liang 211/105.1
D189,722	S	2/1961	D388,642	S	1/1998	Winter
2,976,003	A	3/1961	5,735,413	A	4/1998	Allen
2,977,953	A	4/1961	5,772,048	A	6/1998	Sopcisak
3,035,708	A	5/1962	5,772,050	A	6/1998	Shih
3,043,440	A	7/1962	D396,379	S	7/1998	Stoetzl
3,059,374	A	10/1962	D396,585	S	8/1998	Hofman
3,088,598	A	5/1963	5,833,192	A	11/1998	Buhrman
D195,412	S	6/1963	D402,145	S	12/1998	Hofman et al.
3,111,723	A	11/1963	5,855,286	A	1/1999	Zaid
3,115,107	A	12/1963	5,899,423	A	5/1999	Albertini
3,132,609	A	5/1964	5,934,636	A	8/1999	Cyrell
3,181,923	A	5/1965	5,941,397	A	8/1999	Buchanan et al.
3,266,764	A	8/1966	5,984,114	A	11/1999	Frankel
3,307,710	A	3/1967	D417,991	S	12/1999	Hofman et al.
3,319,983	A	5/1967	D419,020	S	1/2000	Emery et al.
3,343,685	A	9/1967	6,017,009	A	1/2000	Swartz et al.
3,593,857	A	7/1971	D421,692	S	3/2000	Wojtowicz et al.
D222,276	S	10/1971	D421,867	S	3/2000	Carville et al.
3,641,922	A	2/1972	D424,355	S	5/2000	Barton
3,695,455	A	10/1972	6,065,618	A	5/2000	Stetler
3,787,078	A	1/1974	D429,934	S	8/2000	Hofman
3,789,996	A	2/1974	6,113,042	A	9/2000	Welsch et al.
3,791,091	A	2/1974	6,135,668	A	10/2000	Lin
3,907,119	A	9/1975	D443,162	S	6/2001	Winter
3,923,162	A	12/1975	D444,333	S	7/2001	Ferrer Beltran
D239,579	S	4/1976	D446,670	S	8/2001	Emery et al.
3,998,334	A	12/1976	6,302,280	B1	10/2001	Bermes
4,096,951	A	6/1978	6,311,856	B2	11/2001	Battaglia et al.
4,106,736	A	8/1978	6,318,572	B1	11/2001	Lai
4,232,790	A	11/1980	6,347,777	B1	2/2002	Webber et al.
4,274,400	A	6/1981	6,378,709	B1	4/2002	Stuart
4,360,283	A	11/1982	6,394,404	B1	5/2002	Cyrell
4,387,811	A	6/1983	6,409,029	B1	6/2002	Bermes
4,415,091	A	11/1983	D462,552	S	9/2002	Emery et al.
4,428,488	A	1/1984	6,481,586	B1	11/2002	Hoff
4,437,450	A	3/1984	6,494,327	B2	12/2002	Huang
D274,201	S	6/1984	D470,703	S	2/2003	Hoernig
4,511,047	A	4/1985	6,520,351	B1	2/2003	Zadro
4,541,131	A	9/1985	6,527,473	B2	3/2003	Chen
4,559,879	A	12/1985	D473,411	S	4/2003	Walker
D286,599	S	11/1986	6,540,430	B2	4/2003	Hsu
D289,353	S	4/1987	6,550,739	B1	4/2003	Brindisi
4,761,092	A	8/1988	6,551,226	B1	4/2003	Webber et al.
4,776,471	A	10/1988	D475,560	S	6/2003	Suero, Jr.
4,786,022	A	11/1988	D475,561	S	6/2003	Suero, Jr.
4,860,909	A	8/1989	6,575,315	B2	6/2003	Zidek
4,865,283	A	9/1989	6,581,790	B1	6/2003	Zadro
4,909,467	A	3/1990	6,591,996	B1	7/2003	Wu
D314,294	S	2/1991	6,619,164	B1	9/2003	Ricci et al.
4,998,647	A	3/1991	6,648,152	B2	11/2003	Bermes
5,014,860	A	5/1991	D483,251	S *	12/2003	Suero, Jr. D8/376
5,023,755	A	6/1991	6,688,238	B1	2/2004	Alexiou
5,127,528	A	7/1992	6,726,034	B2	4/2004	Holbrook et al.
5,160,101	A	11/1992	D489,207	S	5/2004	Rosen
5,180,067	A	1/1993	D492,188	S	6/2004	Goldberg
5,192,427	A	3/1993	6,758,355	B2	7/2004	Zidek
5,197,614	A	3/1993	D493,991	S	8/2004	Dretzka
5,255,401	A	10/1993	6,824,000	B2 *	11/2004	Samelson 211/105.3
5,284,260	A	2/1994	6,871,748	B2	3/2005	Suttles
5,307,797	A	5/1994	6,918,498	B2	7/2005	Sparkowski
5,318,175	A	6/1994	D509,361	S	9/2005	Suero, Jr.
D351,751	S	10/1994	D512,861	S	12/2005	Rosen
5,355,867	A	10/1994	6,983,853	B1	1/2006	Fickett
			D516,901	S *	3/2006	Murray D8/376

US D628,841 S

Page 3

7,086,633 B2	8/2006	Welch et al.	D587,504 S	3/2009	Russell et al.
D530,551 S	10/2006	Snell	D598,688 S *	8/2009	Yang et al. D6/525
D534,062 S	12/2006	Van den Bosch	2001/0004064 A1	6/2001	Battaglia et al.
7,195,213 B2	3/2007	Weatherly	2002/0158033 A1	10/2002	Chen
D543,747 S	6/2007	Harwanko	2002/0172549 A1	11/2002	Koros et al.
D544,786 S *	6/2007	Barrese D8/376	2003/0132181 A1	7/2003	Saulnier-Matteini
7,229,059 B1	6/2007	Hood	2004/0188577 A1	9/2004	Gaderick
D546,879 S	7/2007	Qiu	2005/0040301 A1	2/2005	Walter
7,246,711 B1	7/2007	Metcalf	2005/0139562 A1	6/2005	Chen
D552,393 S	10/2007	Rosen	2005/0205722 A1	9/2005	Krueger
7,398,790 B2	2/2008	Glatz	2006/0261022 A1	11/2006	Sampaio
D564,257 S	3/2008	Yang et al.	2007/0045208 A1	3/2007	Quan
7,347,197 B2	3/2008	Hankinson	2007/0235611 A1	10/2007	Riblet
D566,991 S	4/2008	Harwanko	2007/0295681 A1	12/2007	Colin
D568,657 S	5/2008	Snider	2008/0000859 A1	1/2008	Yang et al.
D568,658 S	5/2008	Yang et al.	2008/0035592 A1	2/2008	Yang et al.
D569,148 S	5/2008	Yang et al.	2008/0053935 A1	3/2008	Newbould et al.
D572,060 S	7/2008	Snider	2008/0142669 A1	6/2008	Zlotocha
D572,502 S	7/2008	Yang et al.	2009/0188880 A1	7/2009	Yang et al.
D572,516 S	7/2008	Snider			
D573,386 S	7/2008	Clucas			
D573,387 S	7/2008	Walker			
D573,822 S	7/2008	Yang et al.			
7,401,754 B2	7/2008	Welch et al.			
D574,649 S	8/2008	Snider			
D574,650 S	8/2008	Snider			
D578,815 S	10/2008	Dominique et al.			

OTHER PUBLICATIONS

U.S. Appl. No. 29/334,143, filed Mar. 30, 2009, Yang et al.
U.S. Appl. No. 29/357,567, filed Mar. 12, 2010, Yang et al.
U.S. Appl. No. 29/357,568, filed Mar. 12, 2010, Yang et al.
U.S. Appl. No. 29/357,566, filed Mar. 12, 2010, Yang et al.

* cited by examiner

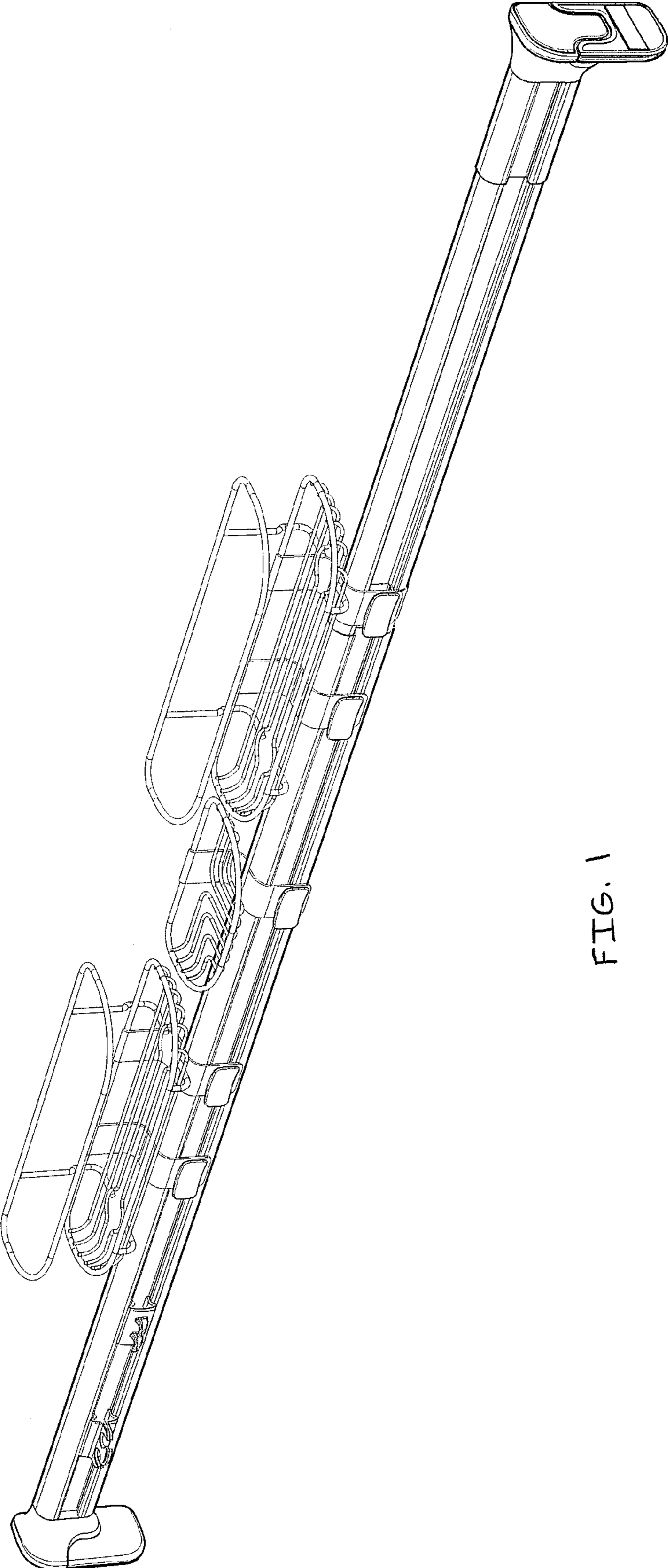


FIG. 1

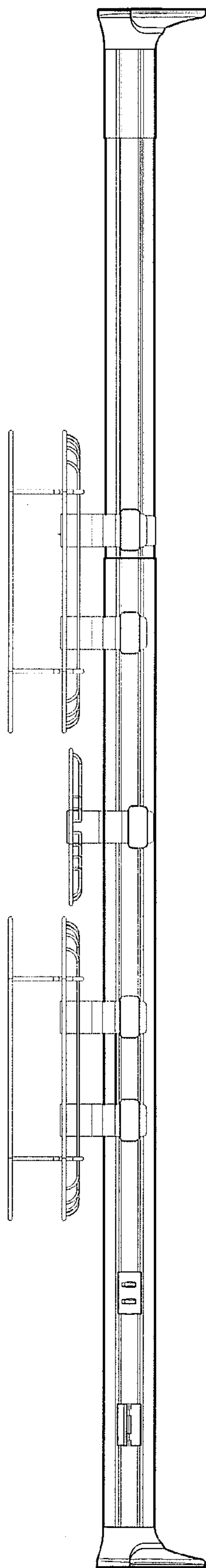


FIG. 2

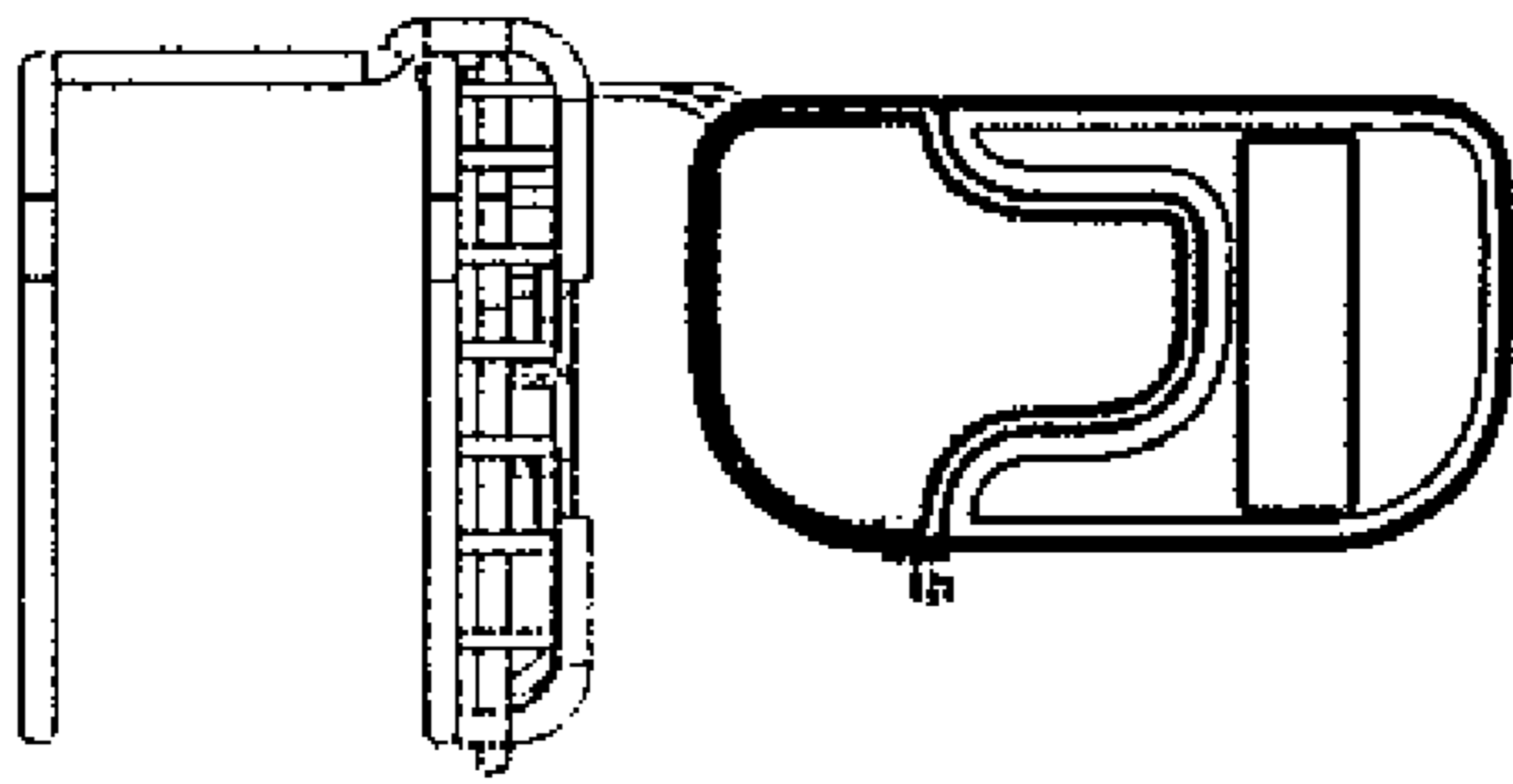


FIG. 3

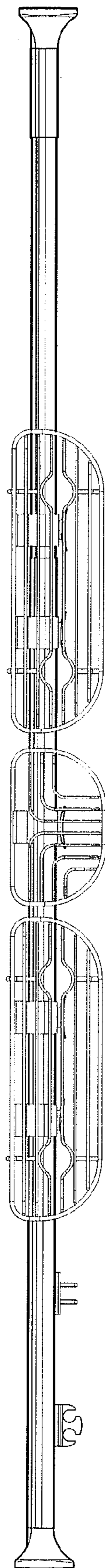


FIG. 4

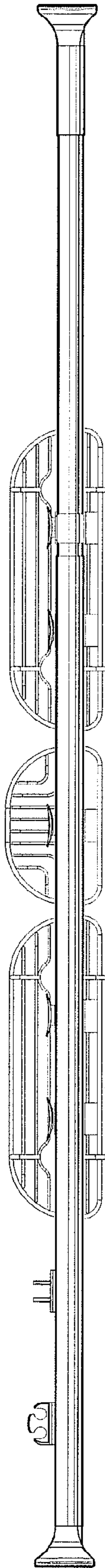


FIG. 5

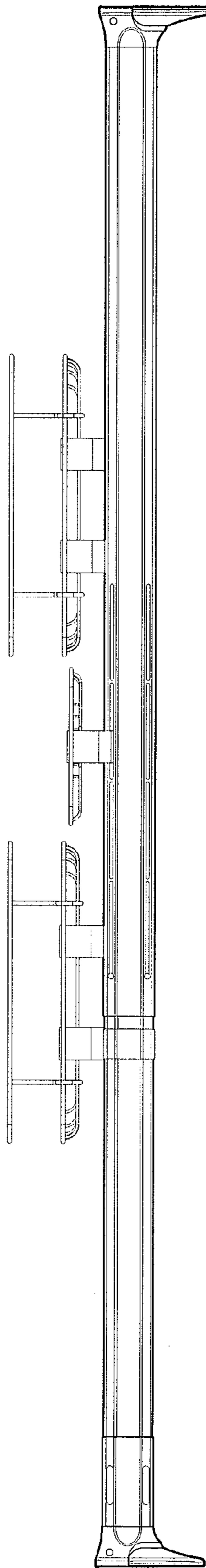


FIG. 6