



US00D628839S

(12) **United States Design Patent**  
**Schulz**

(10) **Patent No.:** **US D628,839 S**

(45) **Date of Patent:** **\*\* Dec. 14, 2010**

(54) **ORGANIZER STAND FOR COMBINATION SHAVING AND TRIMMING DEVICE**

(75) Inventor: **Kristopher William Schulz**, Framingham, MA (US)

(73) Assignee: **The Gillette Company**, Boston, MA (US)

(\*\*) Term: **14 Years**

(21) Appl. No.: **29/355,152**

(22) Filed: **Feb. 3, 2010**

(51) **LOC (9) Cl.** ..... **28-03**

(52) **U.S. Cl.** ..... **D6/526**

(58) **Field of Classification Search** ..... D6/526, D6/524, 540, 534; 211/13.1, 70.6, 87.01, 211/89.01; 248/200, 205.5, 309.1, 314, 127, 248/176.1; D32/73; D3/205  
See application file for complete search history.

(56) **References Cited**

**U.S. PATENT DOCUMENTS**

D423,845 S *	5/2000	Coffin et al.	.....	D6/526
D464,222 S *	10/2002	Coffin et al.	.....	D6/526
D574,171 S *	8/2008	Kling et al.	.....	D6/526
D576,436 S *	9/2008	Provost et al.	.....	D6/526

\* cited by examiner

*Primary Examiner*—Brian N Vinson

(74) *Attorney, Agent, or Firm*—Jay A. Krebs; Kevin C. Johnson

(57) **CLAIM**

The ornamental design for an organizer stand for combination shaving and trimming device, as shown and described.

**DESCRIPTION**

FIG. 1 is a top, front, and left side perspective view of an organizer stand for combination shaving and trimming device showing our design;

FIG. 2 is a front elevational view thereof;

FIG. 3 is a rear elevational view thereof;

FIG. 4 is a left side elevational view thereof;

FIG. 5 is a right side elevational view thereof;

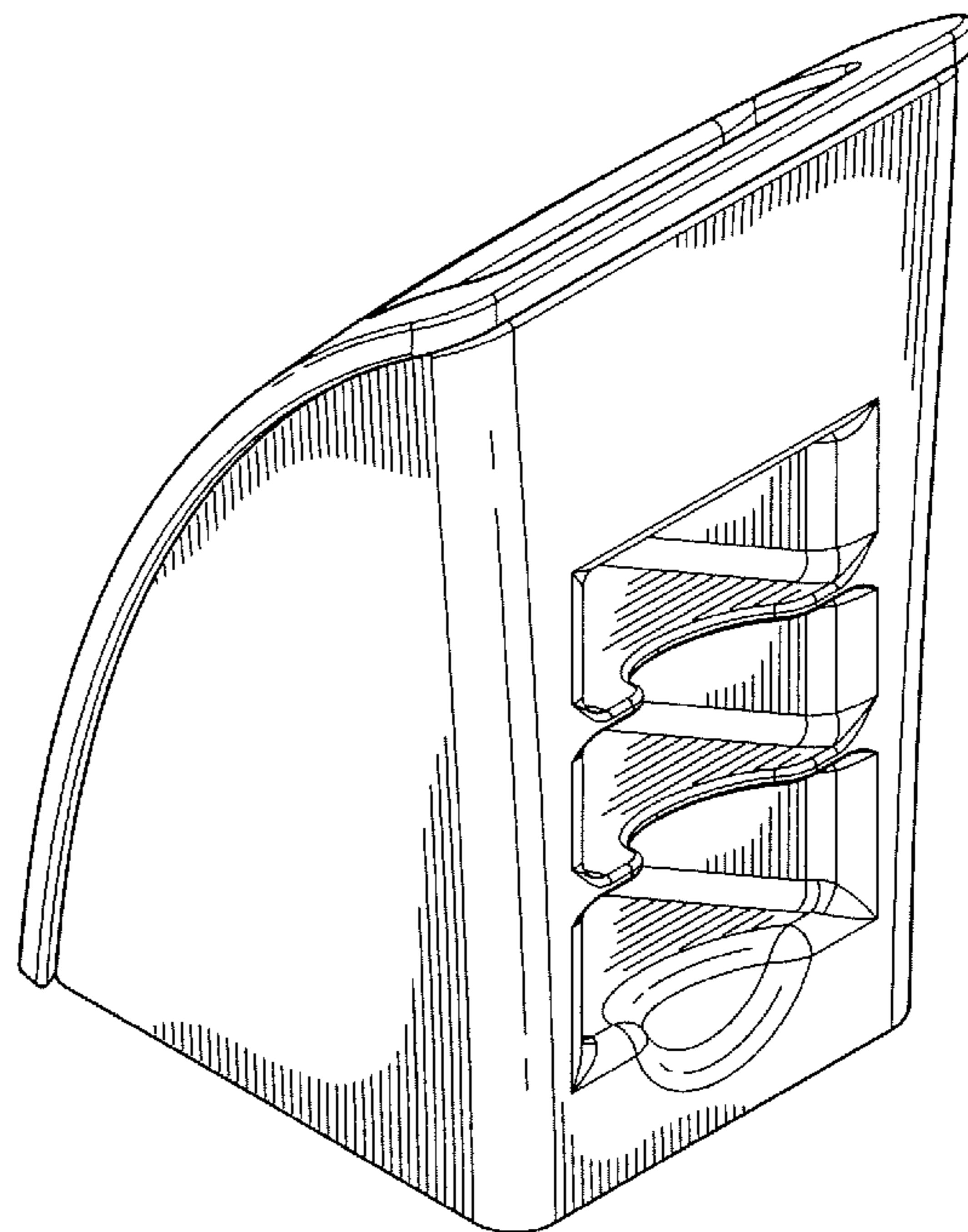
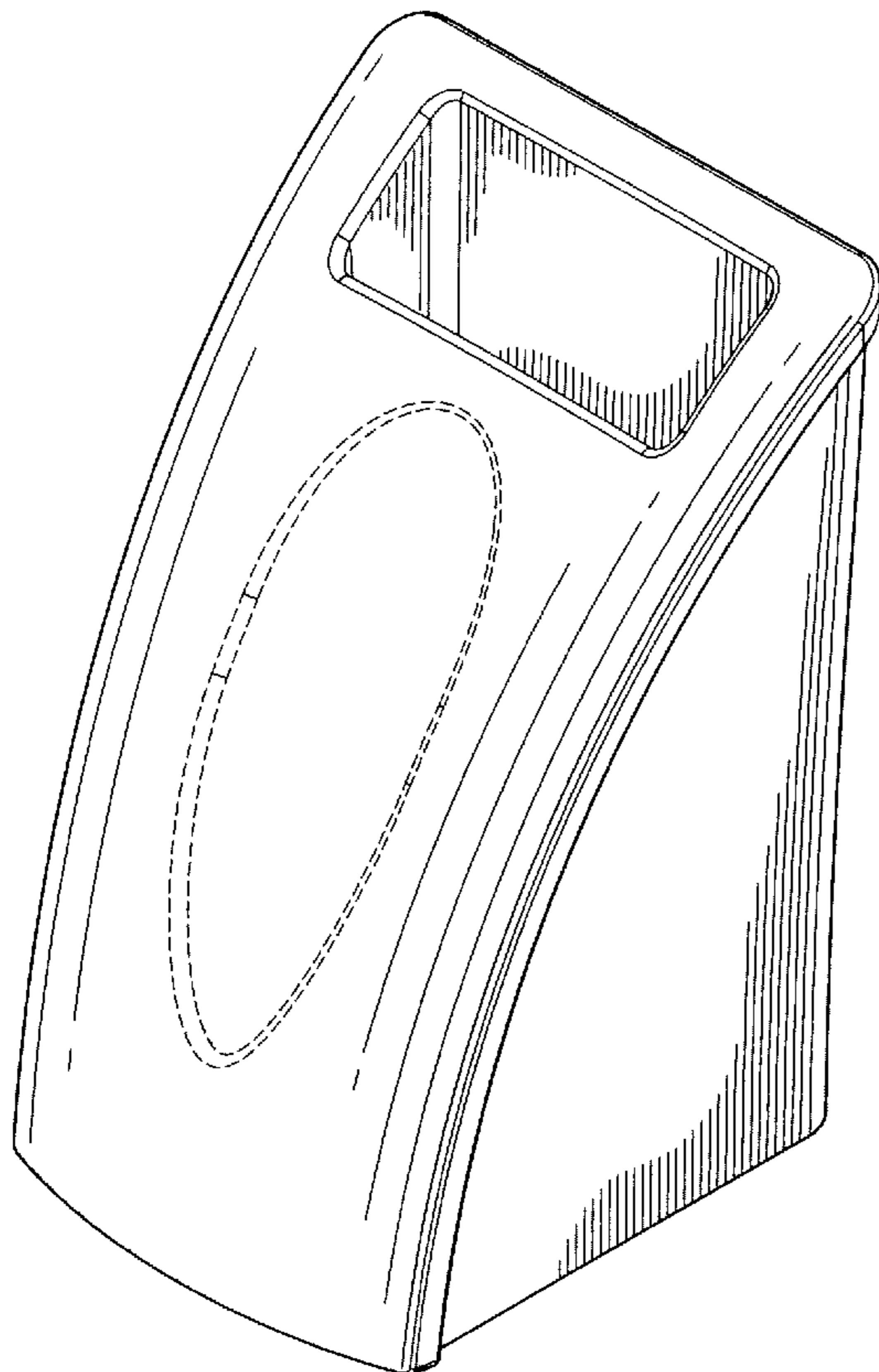
FIG. 6 is a top plan view thereof;

FIG. 7 is a bottom plan view thereof; and,

FIG. 8 is a top, rear, and left side perspective view thereof.

The broken line disclosure is understood to represent portions of the article in which the claimed design is embodied, but which form no part of the claimed design.

**1 Claim, 5 Drawing Sheets**



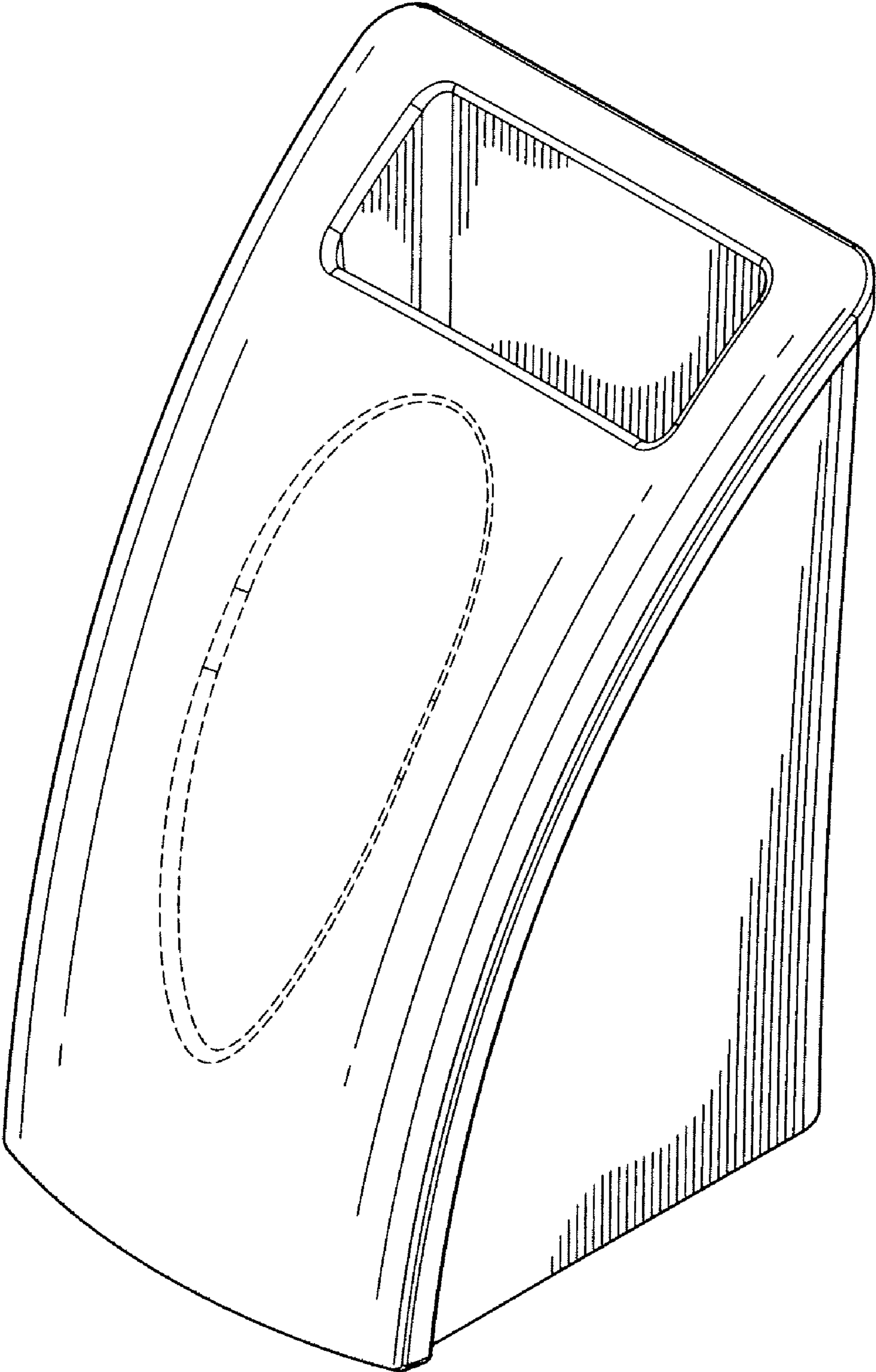


FIG. 1

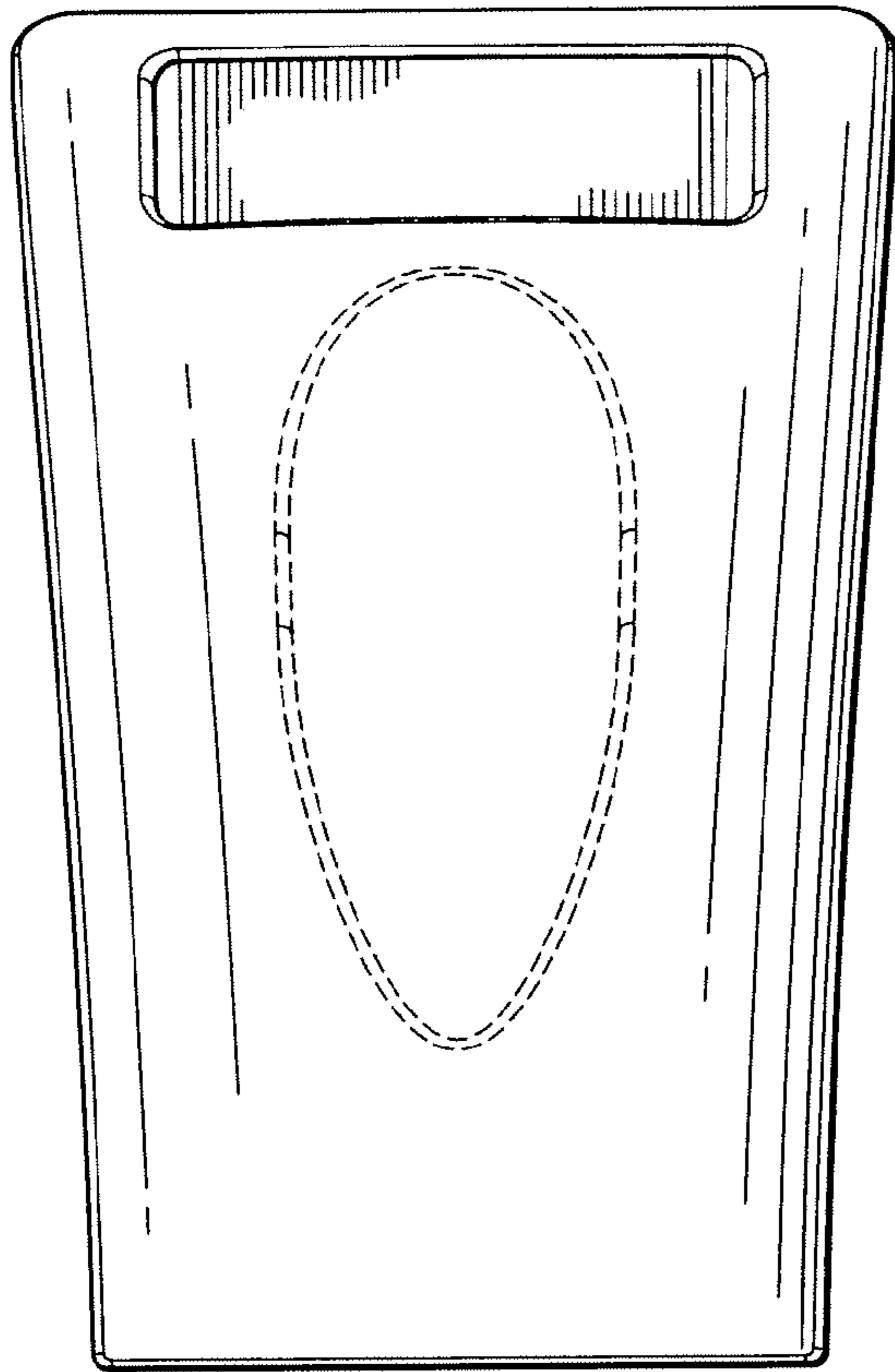


FIG. 2

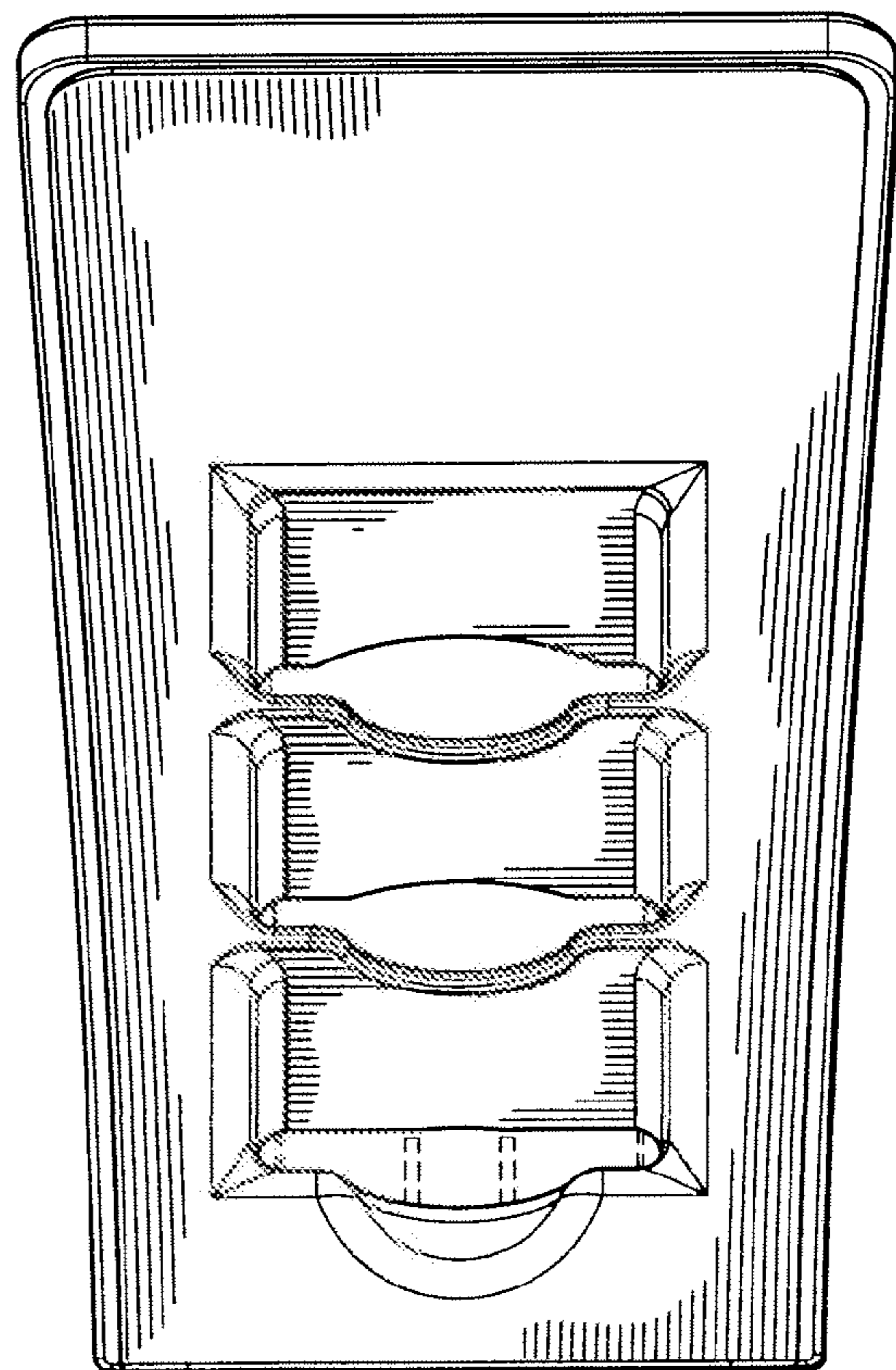


FIG. 3

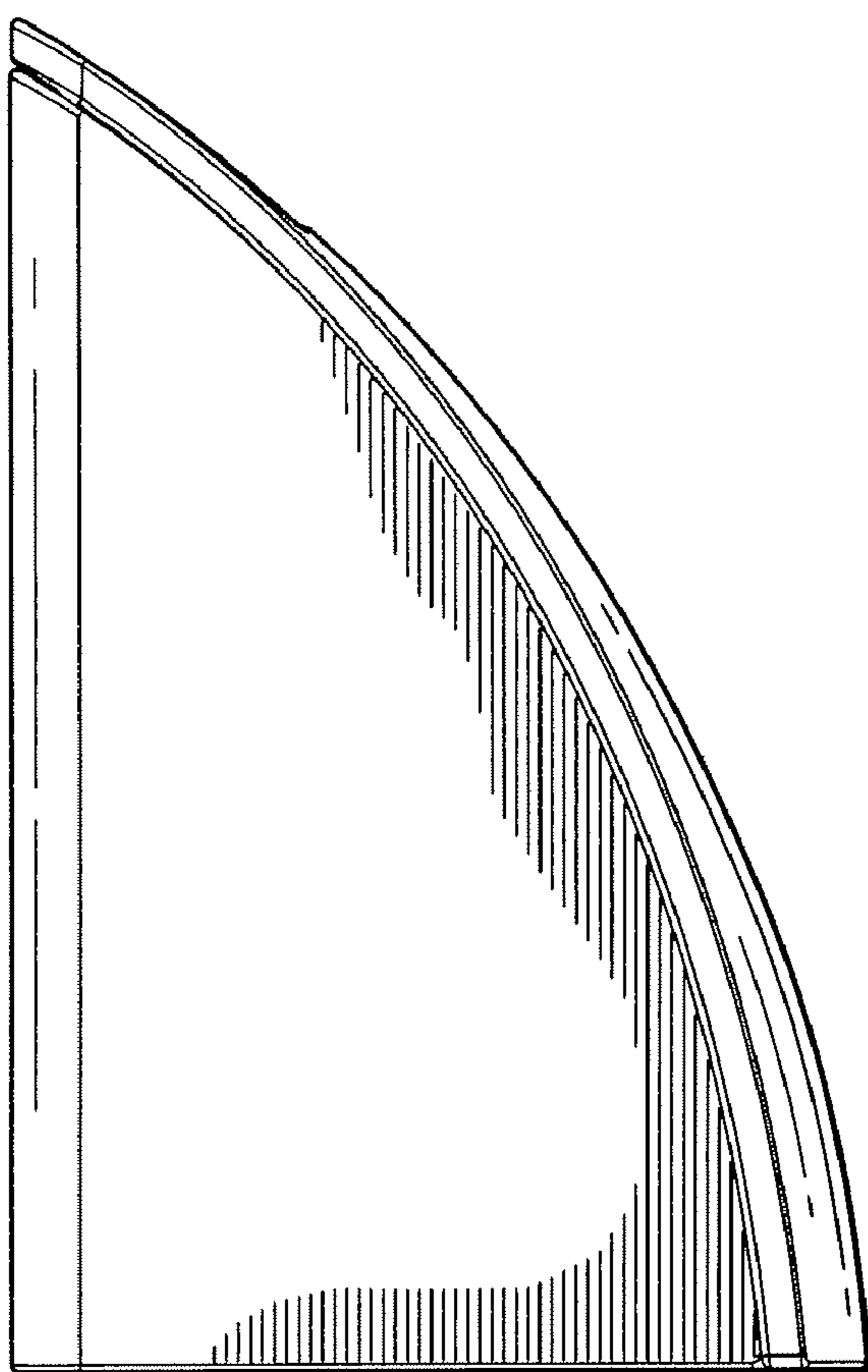


FIG. 4

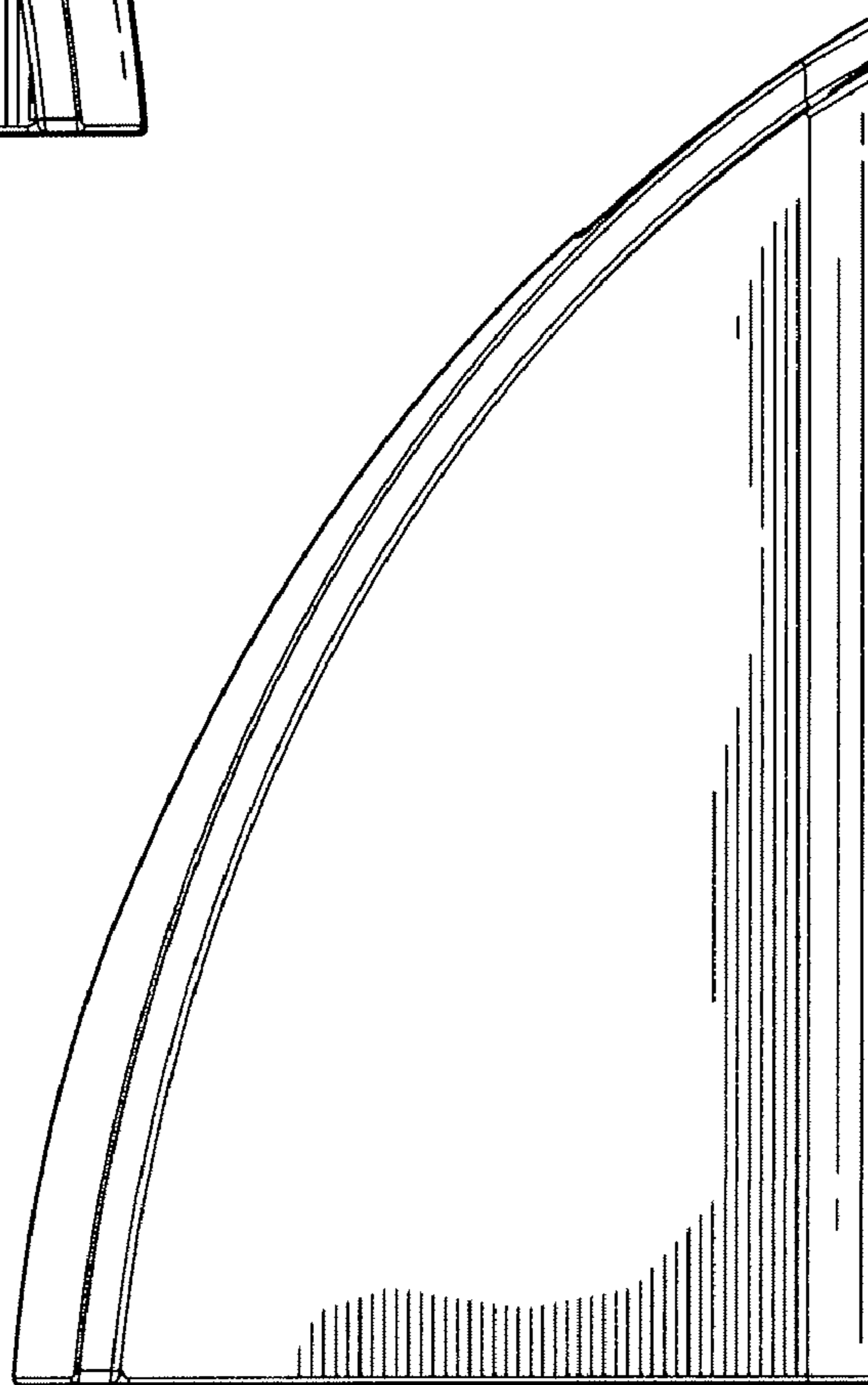


FIG. 5

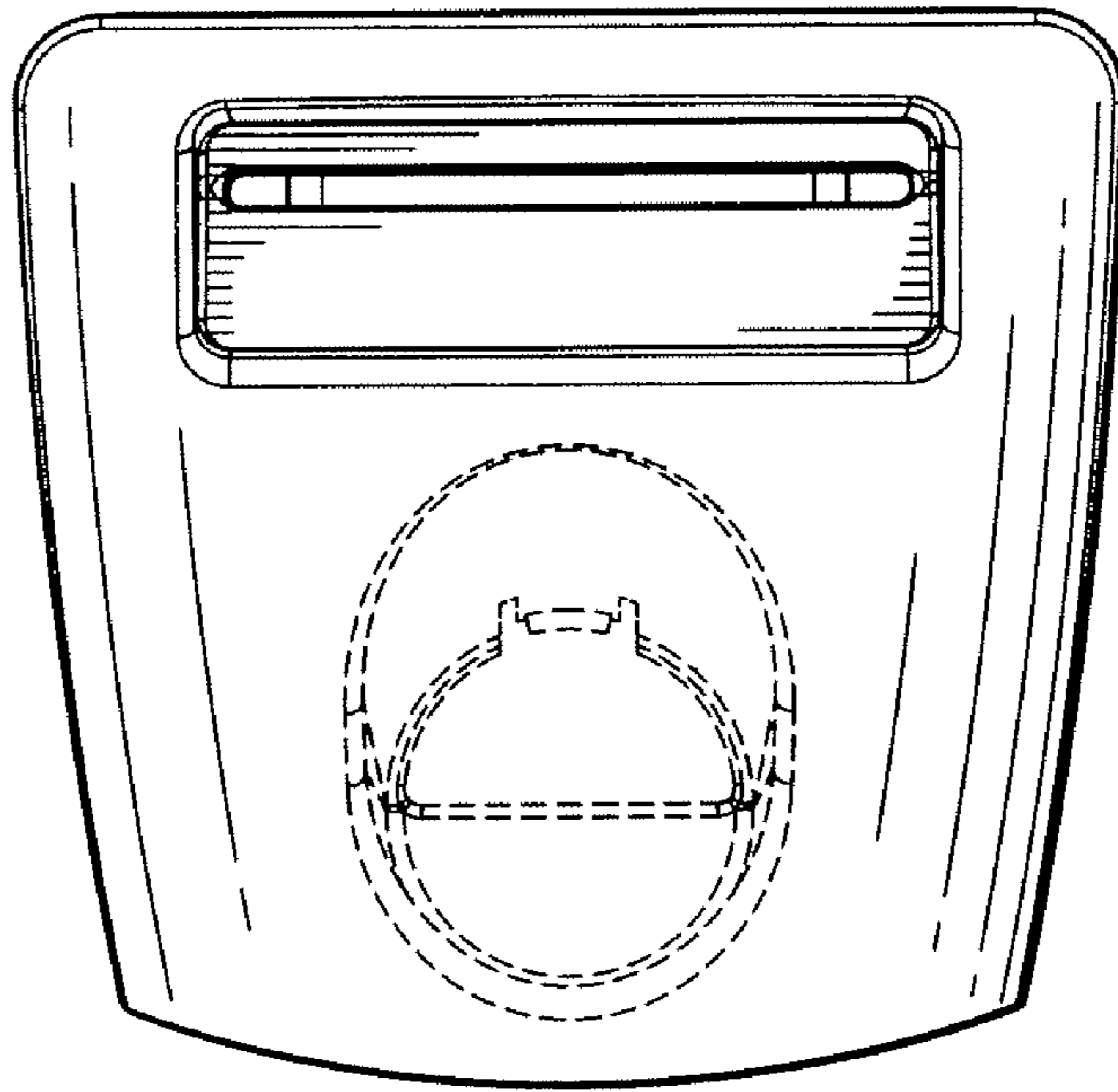


FIG. 6

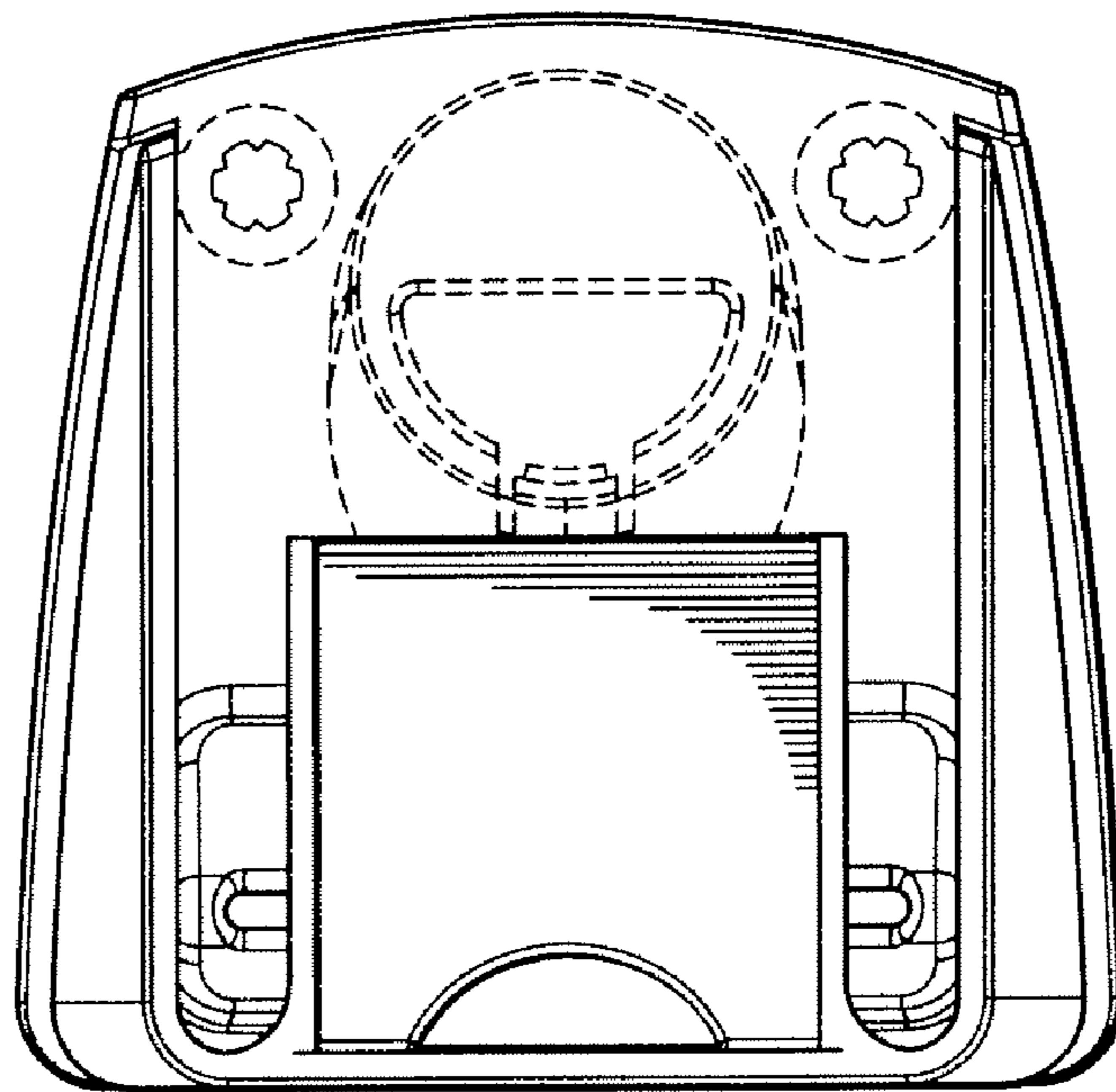


FIG. 7

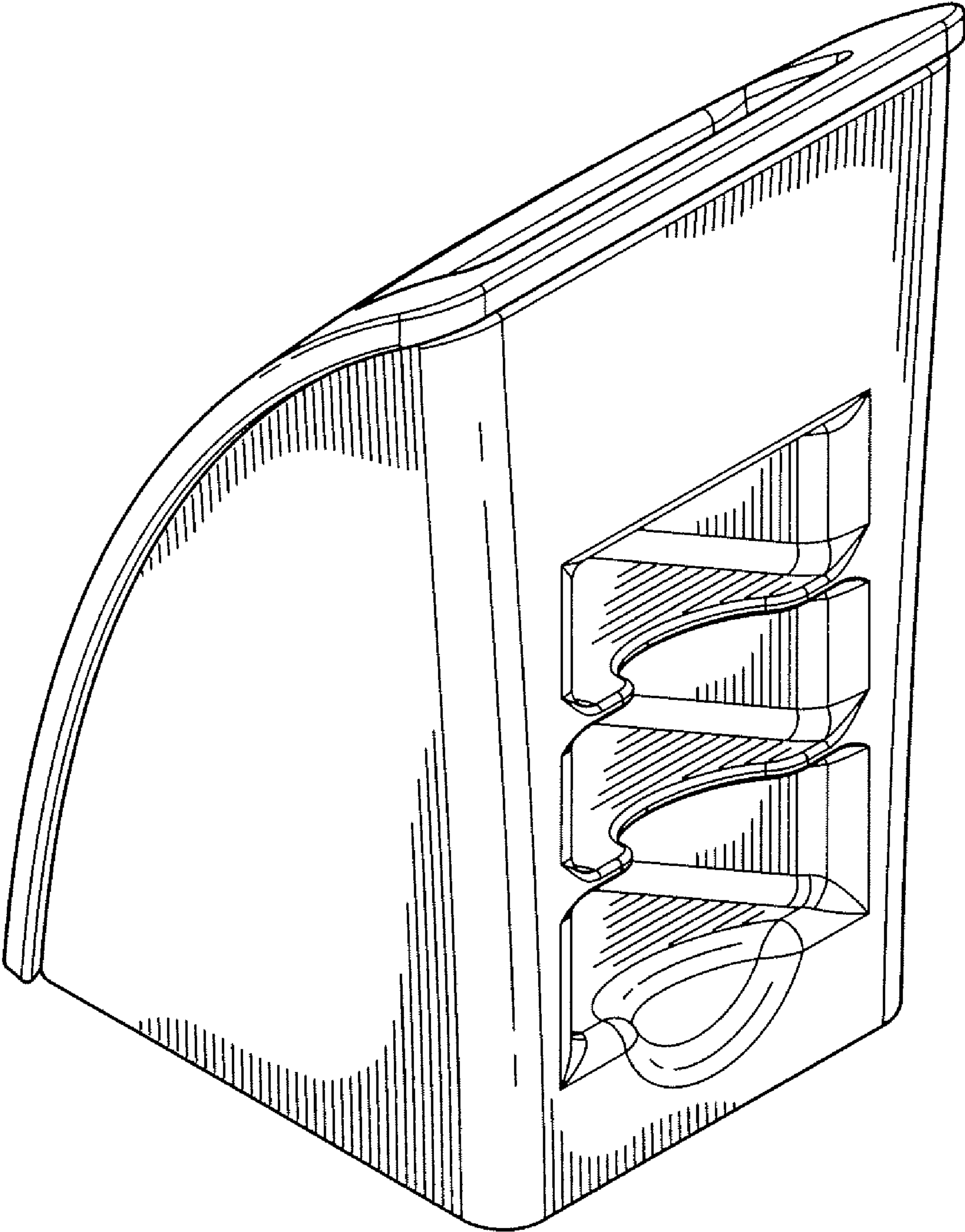


FIG. 8