

US00D628837S

(12) **United States Design Patent**  
**Goodman et al.**

(10) **Patent No.:** **US D628,837 S**

(45) **Date of Patent:** **\*\* Dec. 14, 2010**

(54) **PAPER TOWEL HOLDER**

(75) Inventors: **Sheldon H. Goodman**, Solon, OH (US);  
**Omer I. Sazir**, Cleveland, OH (US);  
**Elizabeth A. Cho**, Strongsville, OH  
(US)

(73) Assignee: **Spectrum Diversified Designs, Inc.**,  
Streetsboro, OH (US)

(\*\*) Term: **14 Years**

(21) Appl. No.: **29/363,888**

(22) Filed: **Jun. 16, 2010**

(51) **LOC (9) Cl.** ..... **20-02**

(52) **U.S. Cl.** ..... **D6/521; D6/522**

(58) **Field of Classification Search** ..... D6/518–523;  
206/389, 391; 211/13.1, 59.1, 45, 890.1;  
242/570, 590, 597.7; 248/309.1, 309.2  
See application file for complete search history.

(56) **References Cited**

U.S. PATENT DOCUMENTS

D390,054 S \* 2/1998 Goodman ..... D6/522  
D412,803 S \* 8/1999 Goodman et al. .... D6/521  
D452,398 S \* 12/2001 Hollinger ..... D6/522  
D472,412 S \* 4/2003 Goodman et al. .... D6/522

D474,634 S \* 5/2003 Ancona ..... D6/522  
D474,635 S \* 5/2003 Ancona ..... D6/522  
D479,072 S \* 9/2003 Duncan et al. .... D6/522  
D522,292 S \* 6/2006 Goodman et al. .... D6/521  
D582,709 S \* 12/2008 Goodman et al. .... D6/521

\* cited by examiner

*Primary Examiner*—Brian N Vinson

(74) *Attorney, Agent, or Firm*—Pearne & Gordon LLP

(57) **CLAIM**

The ornamental design for a paper towel holder, as shown and described.

**DESCRIPTION**

FIG. 1 is a perspective view of a paper towel holder showing our new design;

FIG. 2 is a top plan view thereof;

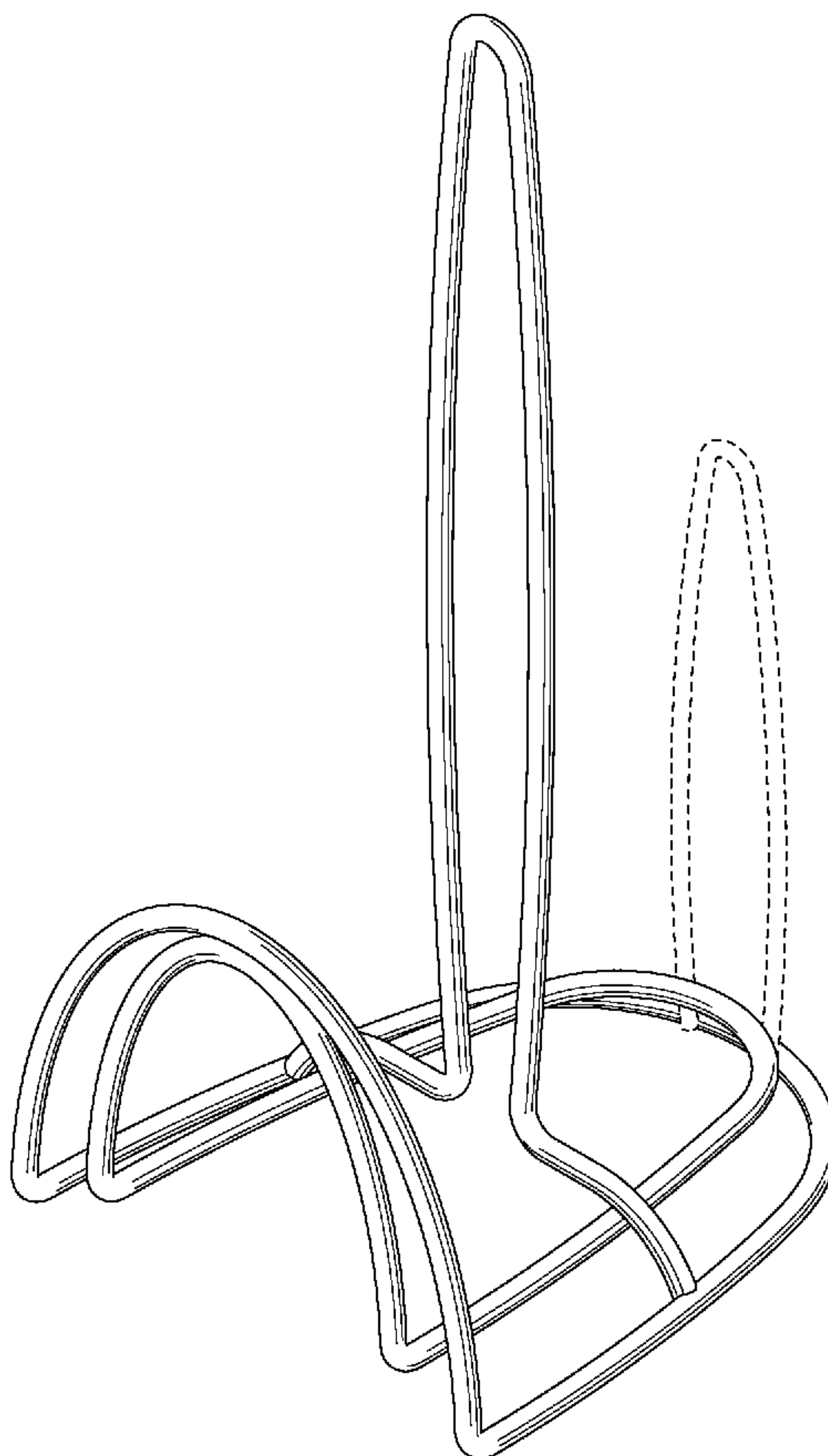
FIG. 3 is a bottom plan view thereof;

FIG. 4 is a front elevational view thereof; and,

FIG. 5 is a right side elevational view thereof.

The broken-line disclosure is understood to represent a portion of the article in which the claimed design is embodied, but which forms no part of the claimed design.

**1 Claim, 2 Drawing Sheets**



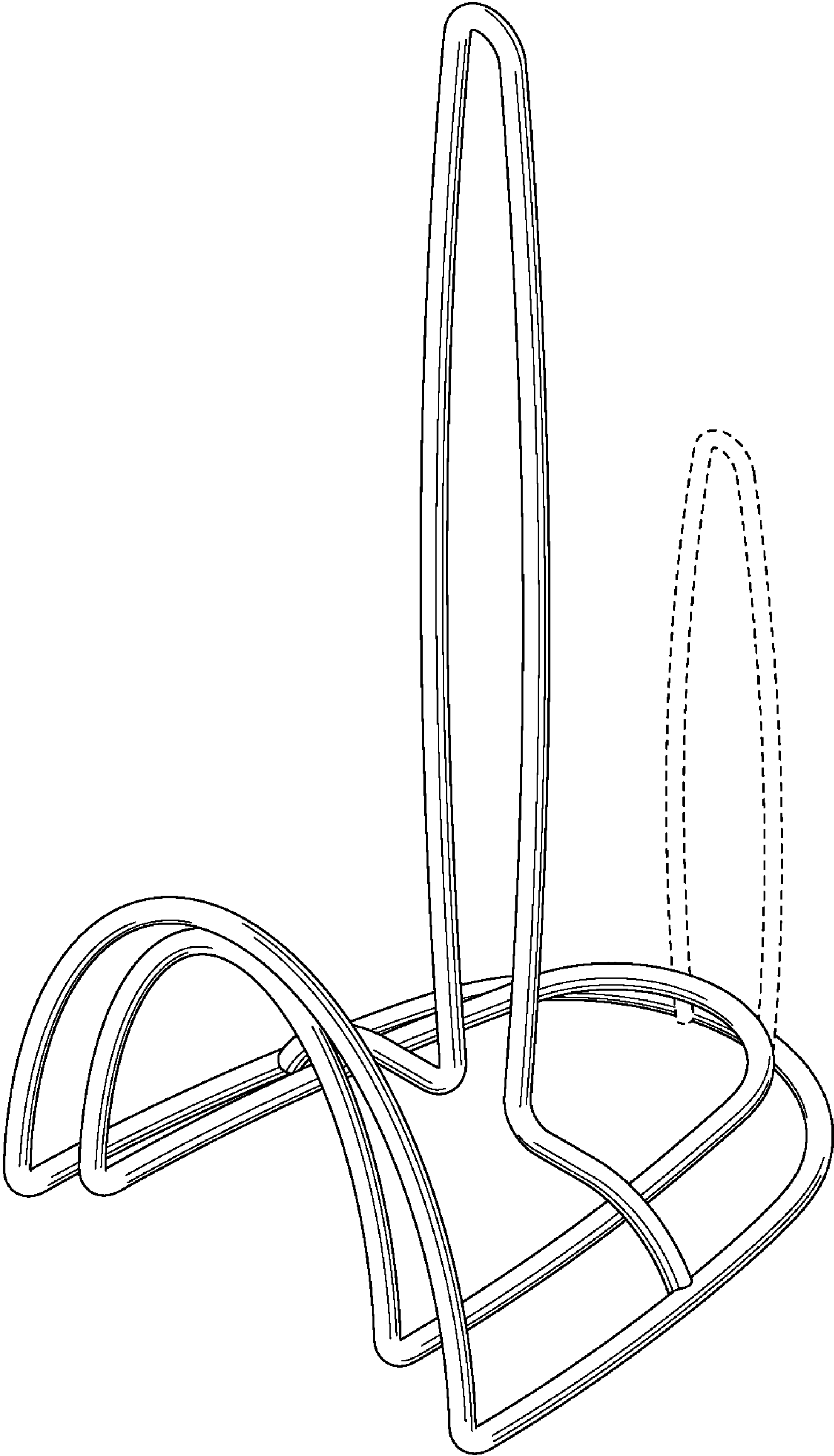


FIG. 1

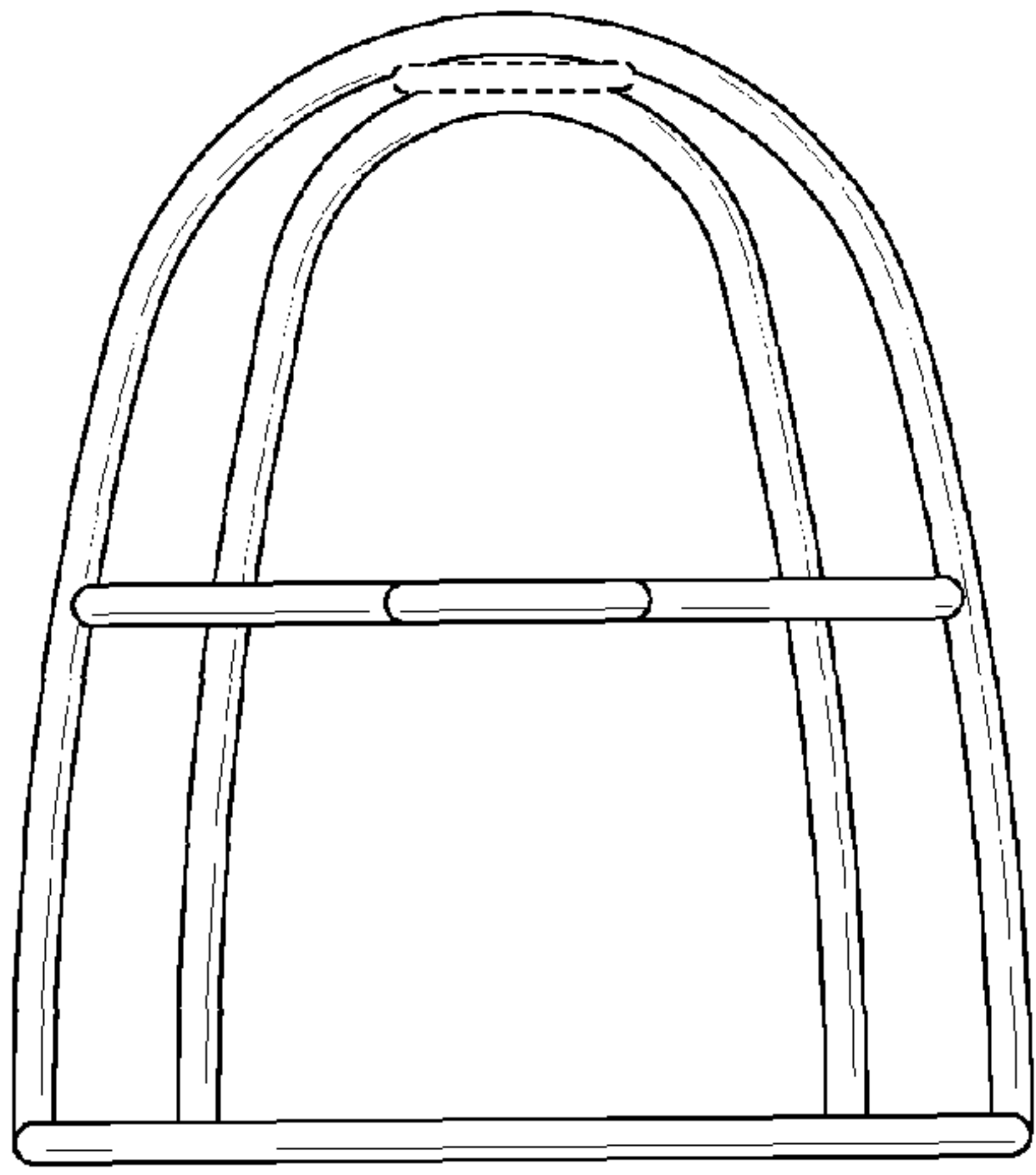


FIG. 2

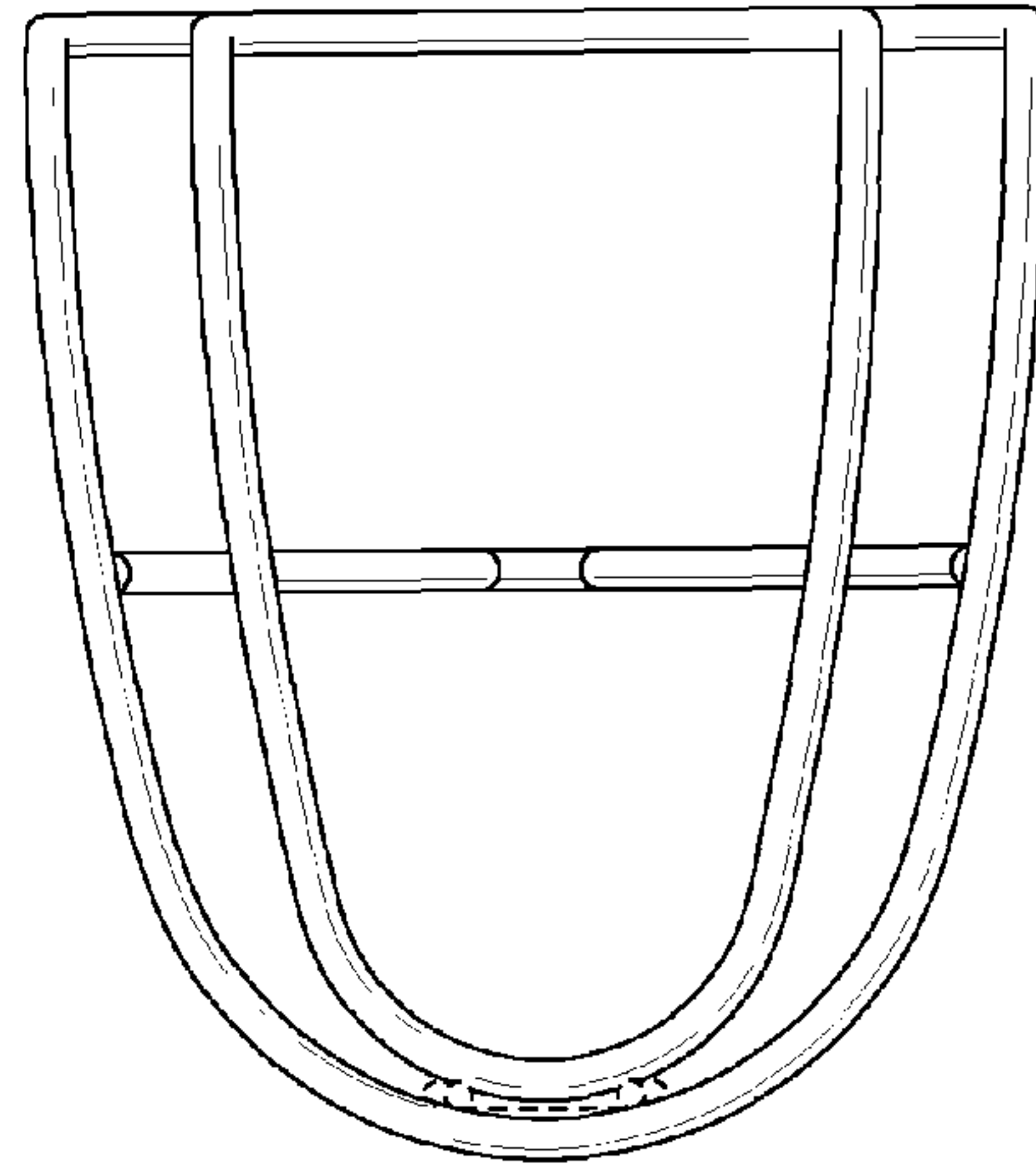


FIG. 3

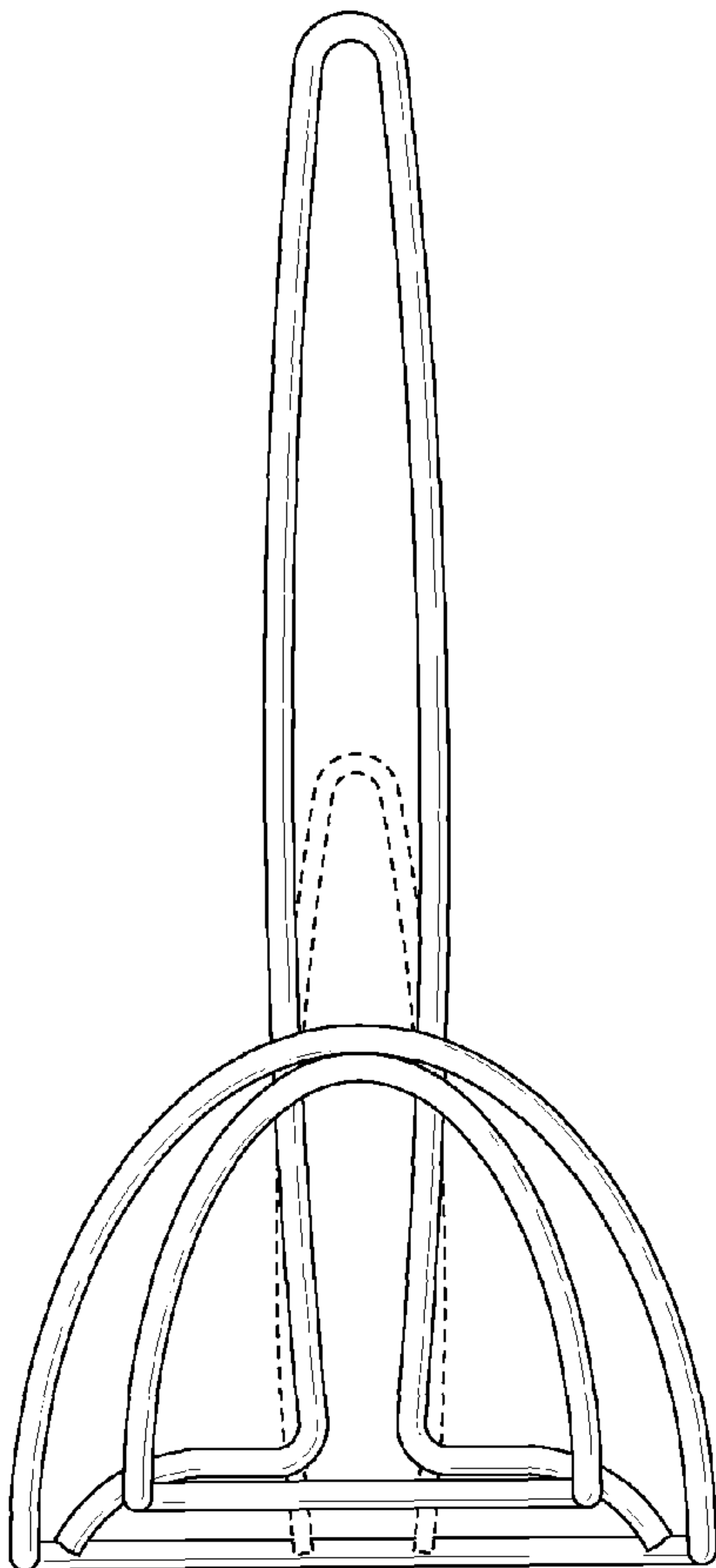


FIG. 4

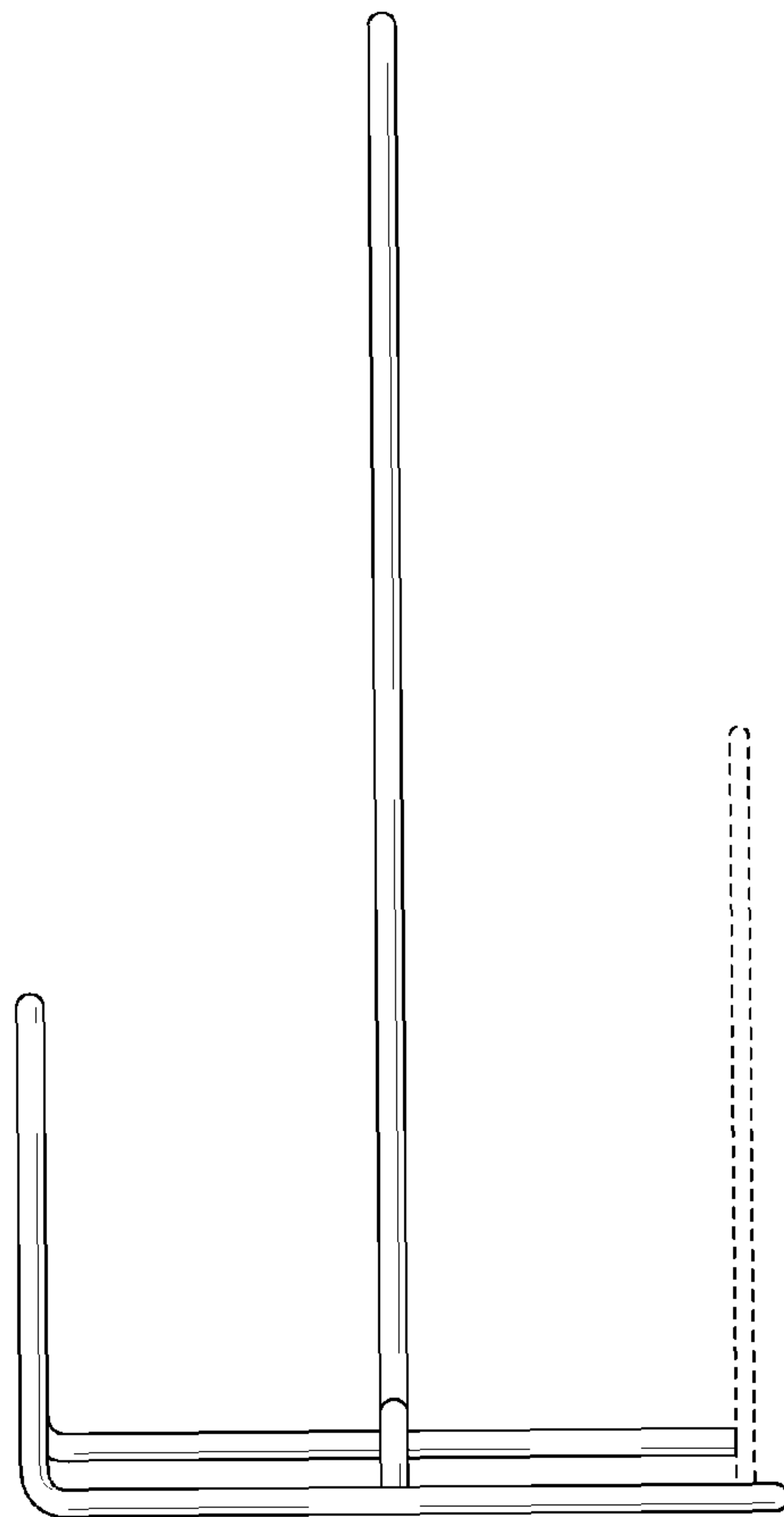


FIG. 5