



US00D628836S

(12) **United States Design Patent**
Guindi

(10) **Patent No.:** **US D628,836 S**

(45) **Date of Patent:** **** Dec. 14, 2010**

(54) **PAPER TOWEL HOLDER**

(75) Inventor: **Henry V. Guindi**, Brooklyn, NY (US)

(73) Assignee: **HDS Trading Corp.**, North Brunswick, NJ (US)

(**) Term: **14 Years**

(21) Appl. No.: **29/359,581**

(22) Filed: **Apr. 13, 2010**

(51) **LOC (9) Cl.** **20-02**

(52) **U.S. Cl.** **D6/521**

(58) **Field of Classification Search** D6/518-523;
206/389, 391; 211/13.1, 59.1, 45, 890.1;
242/570, 590; 248/309.1, 309.2

See application file for complete search history.

(56) **References Cited**

U.S. PATENT DOCUMENTS

D390,054 S *	2/1998	Goodman	D6/522
D405,304 S *	2/1999	Goodman et al.	D6/522
D412,803 S *	8/1999	Goodman et al.	D6/521
D474,635 S *	5/2003	Ancona	D6/522
D522,292 S *	6/2006	Goodman et al.	D6/521
D555,954 S *	11/2007	Yang et al.	D6/521
D582,709 S *	12/2008	Goodman et al.	D6/521

* cited by examiner

Primary Examiner—Brian N Vinson

(74) *Attorney, Agent, or Firm*—Rankin, Hill & Clark LLP

(57) **CLAIM**

The ornamental design for a paper towel holder, as shown and described.

DESCRIPTION

FIG. 1 is a front left perspective view of a paper towel holder.

FIG. 2 is a front elevational view thereof;

FIG. 3 is a right side view thereof;

FIG. 4 is a rear elevational thereof;

FIG. 5 is a left side view thereof;

FIG. 6 is a top plan view thereof;

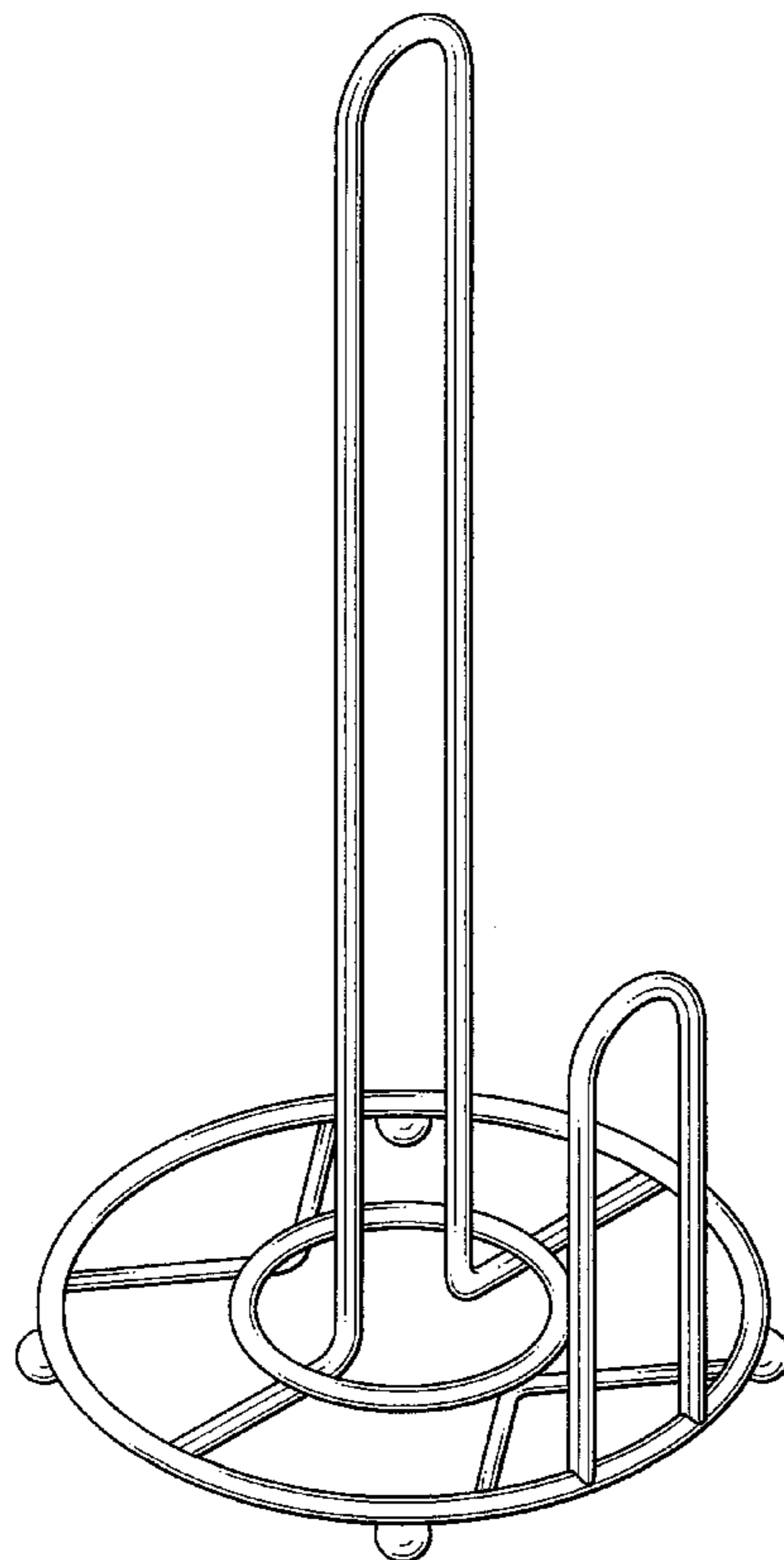
FIG. 7 is a bottom plan view thereof;

FIG. 8 is an additional front left perspective view thereof; and,

FIG. 9 is an additional front left perspective view thereof.

The broken-line disclosure in the views is understood to represent portions of the article in which the claimed design is embodied, but which for no part of the claimed design.

1 Claim, 9 Drawing Sheets



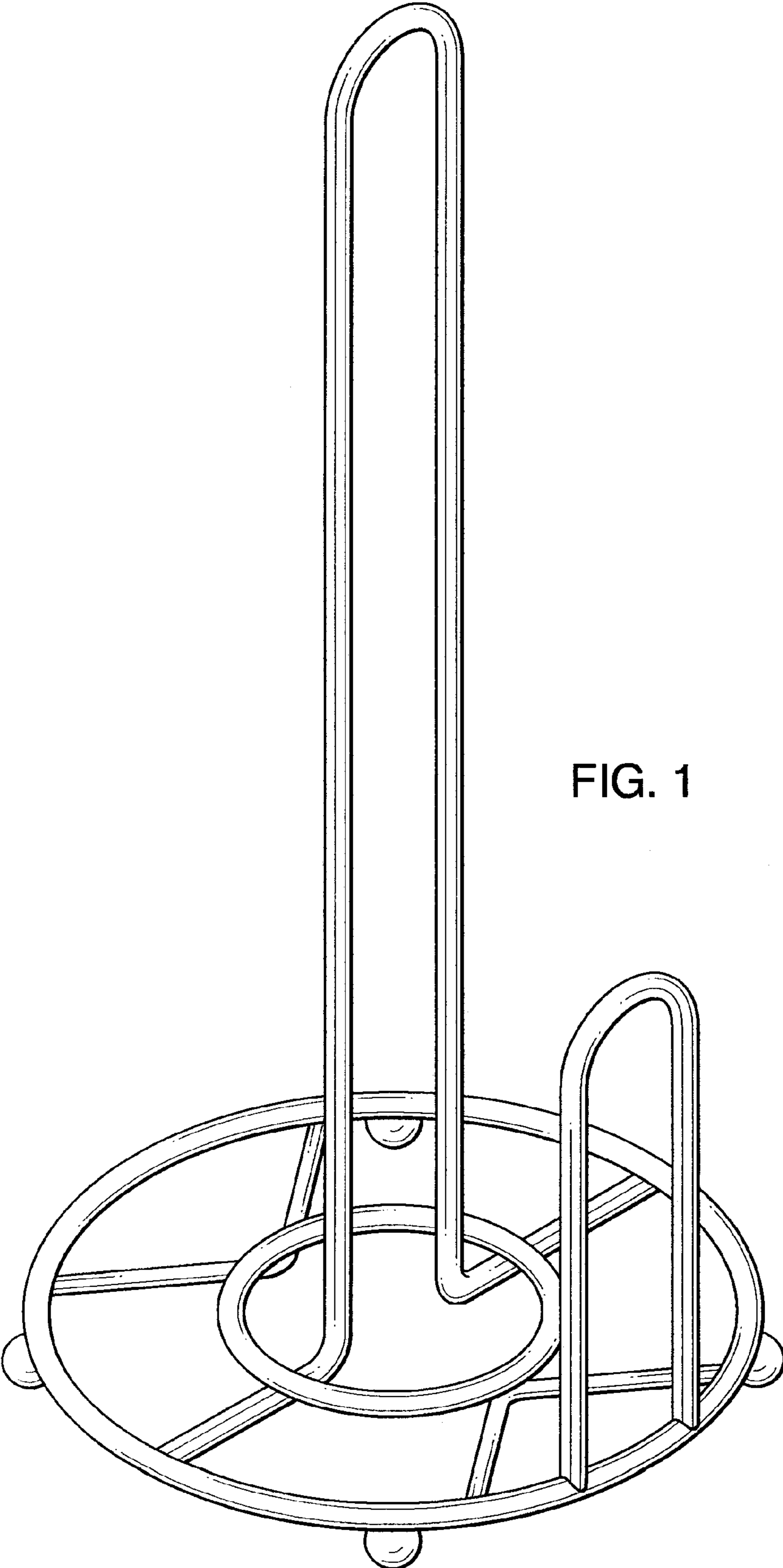


FIG. 1

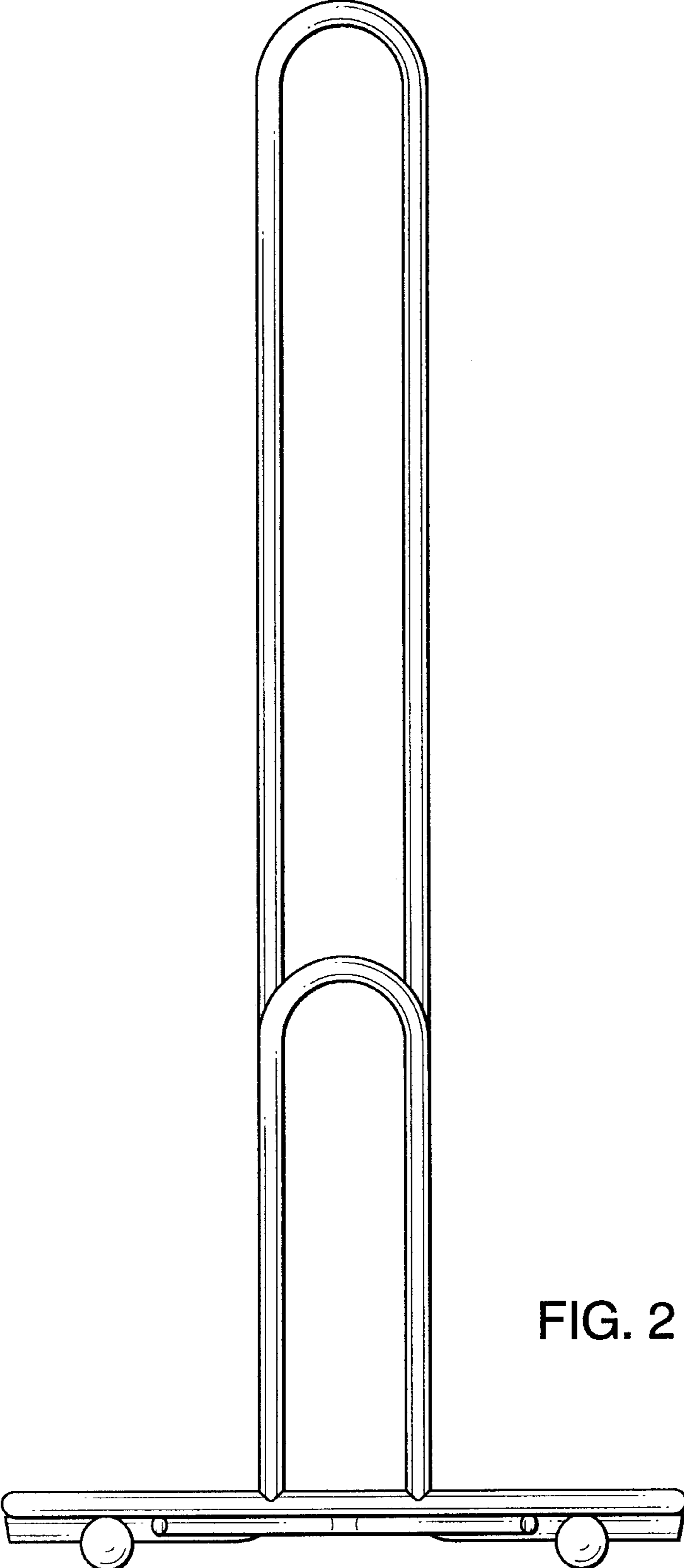


FIG. 2

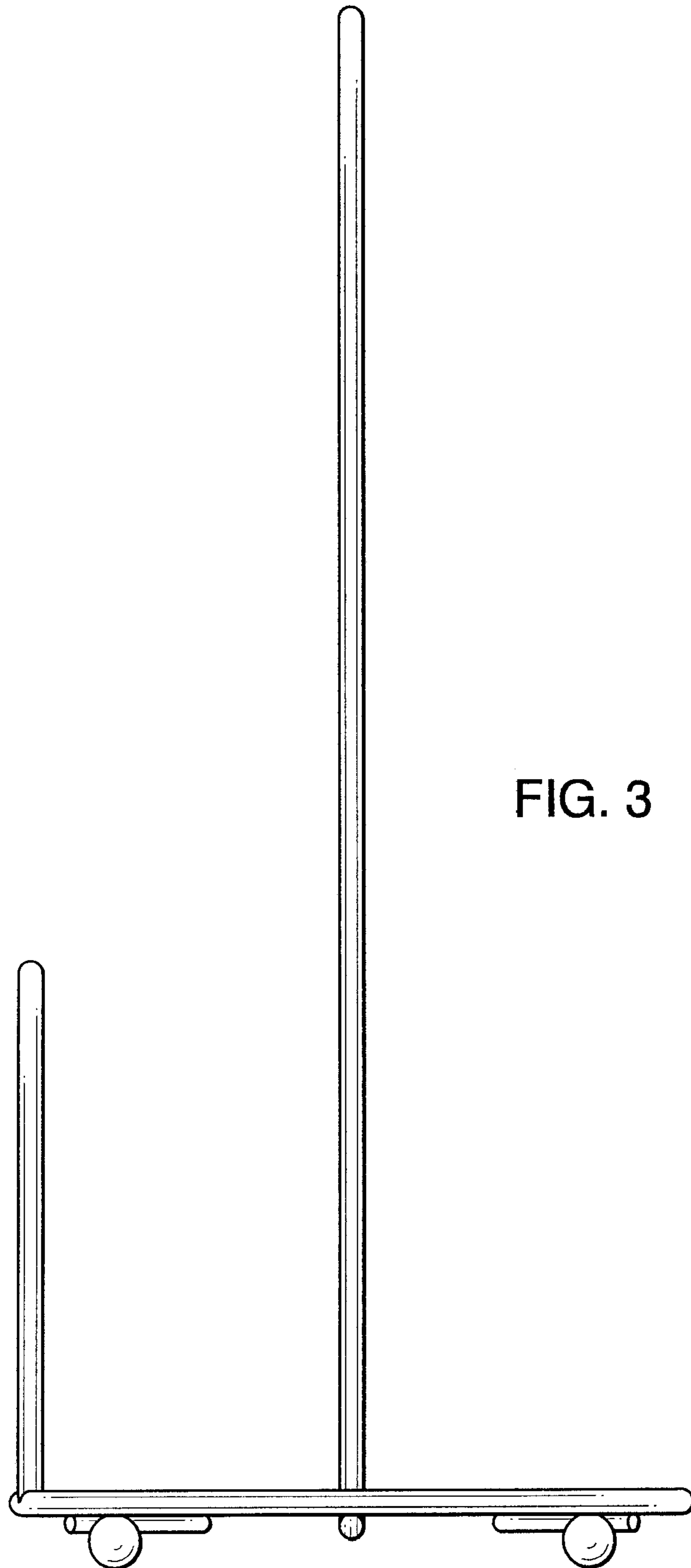


FIG. 3

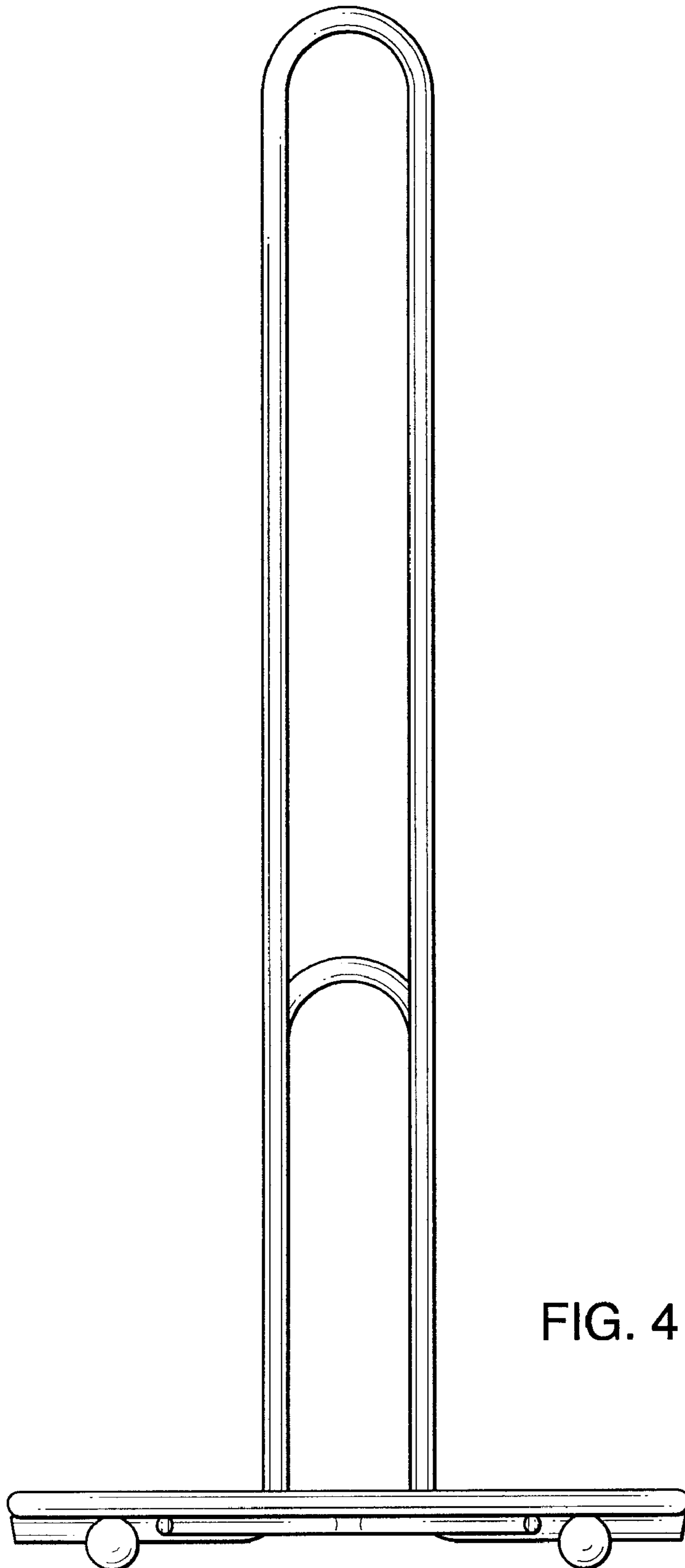


FIG. 4

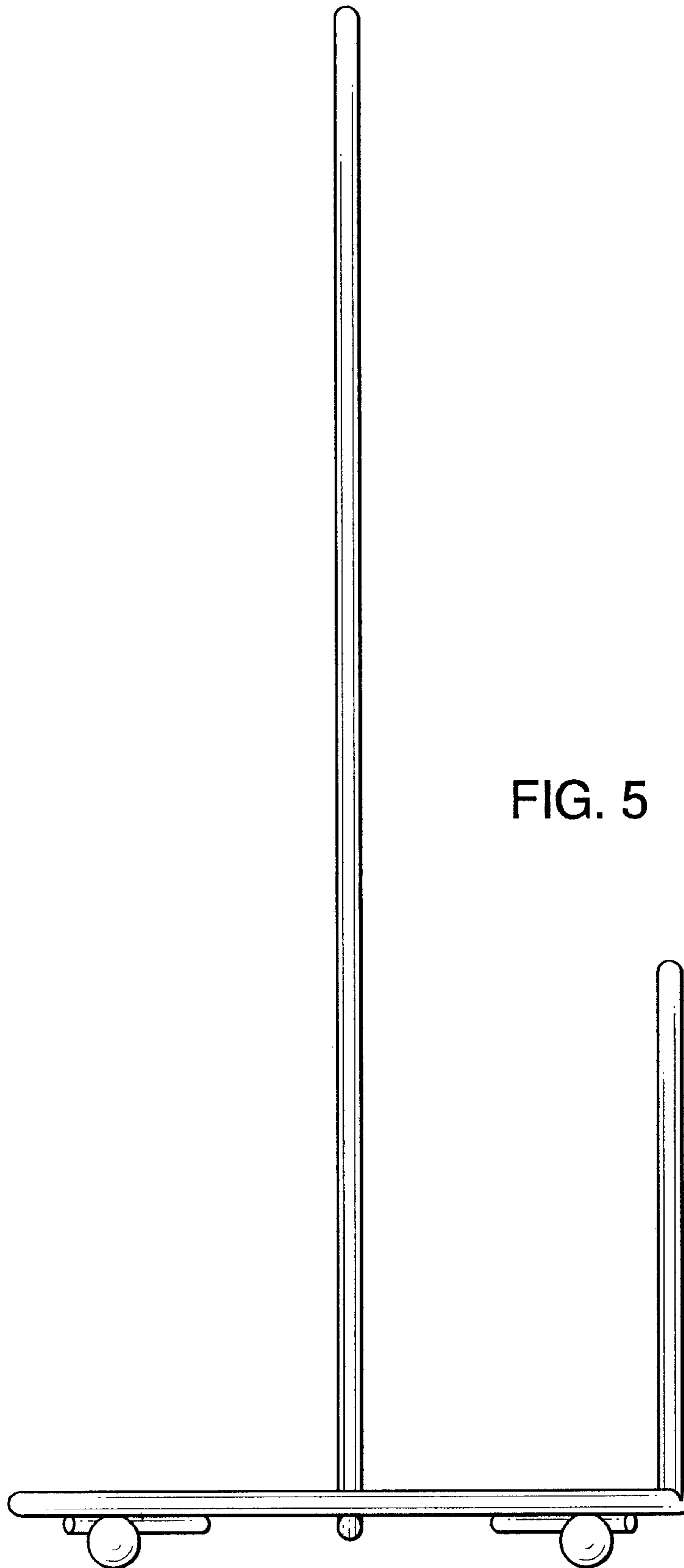


FIG. 5

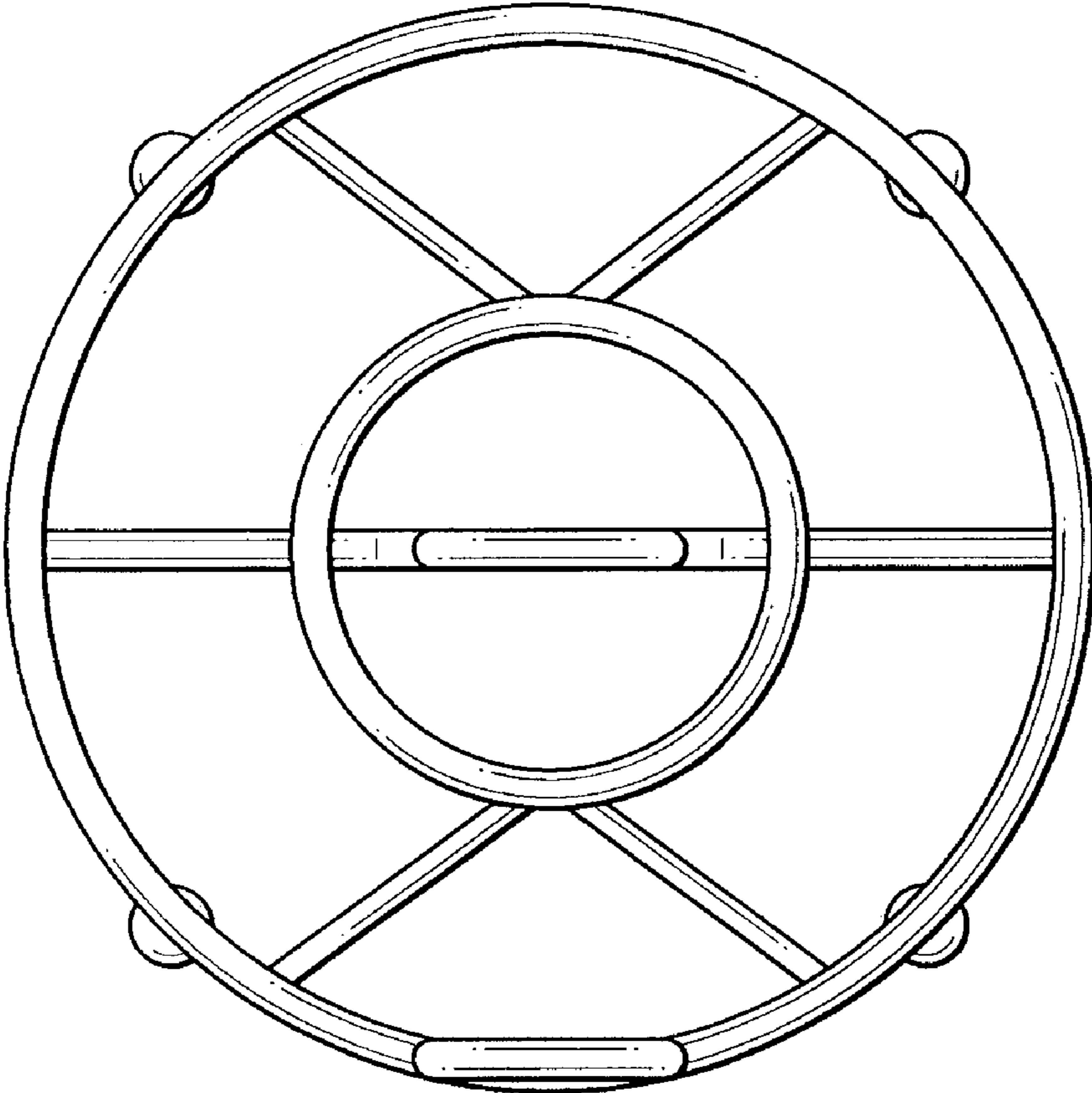


FIG. 6

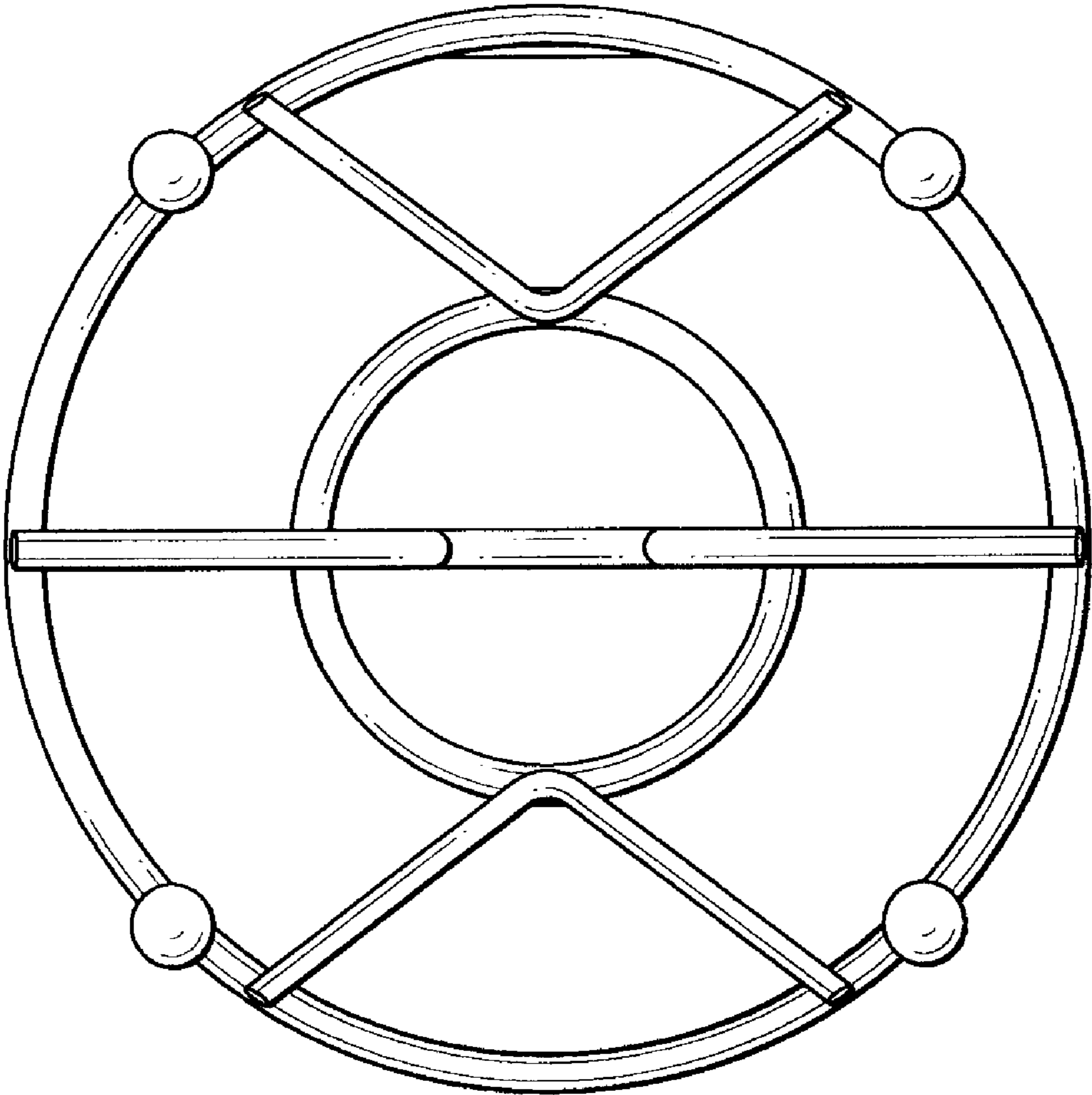


FIG. 7

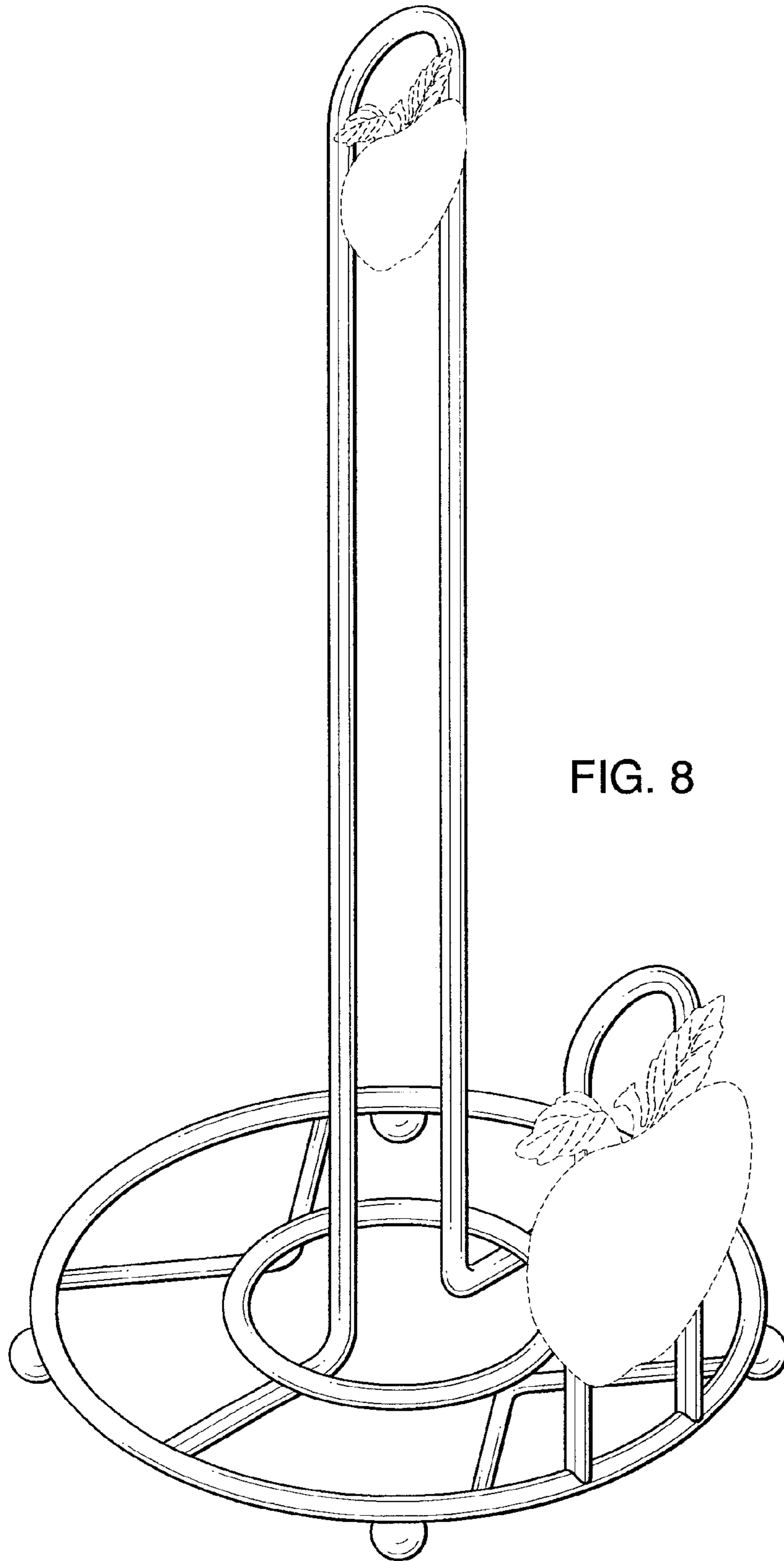


FIG. 8

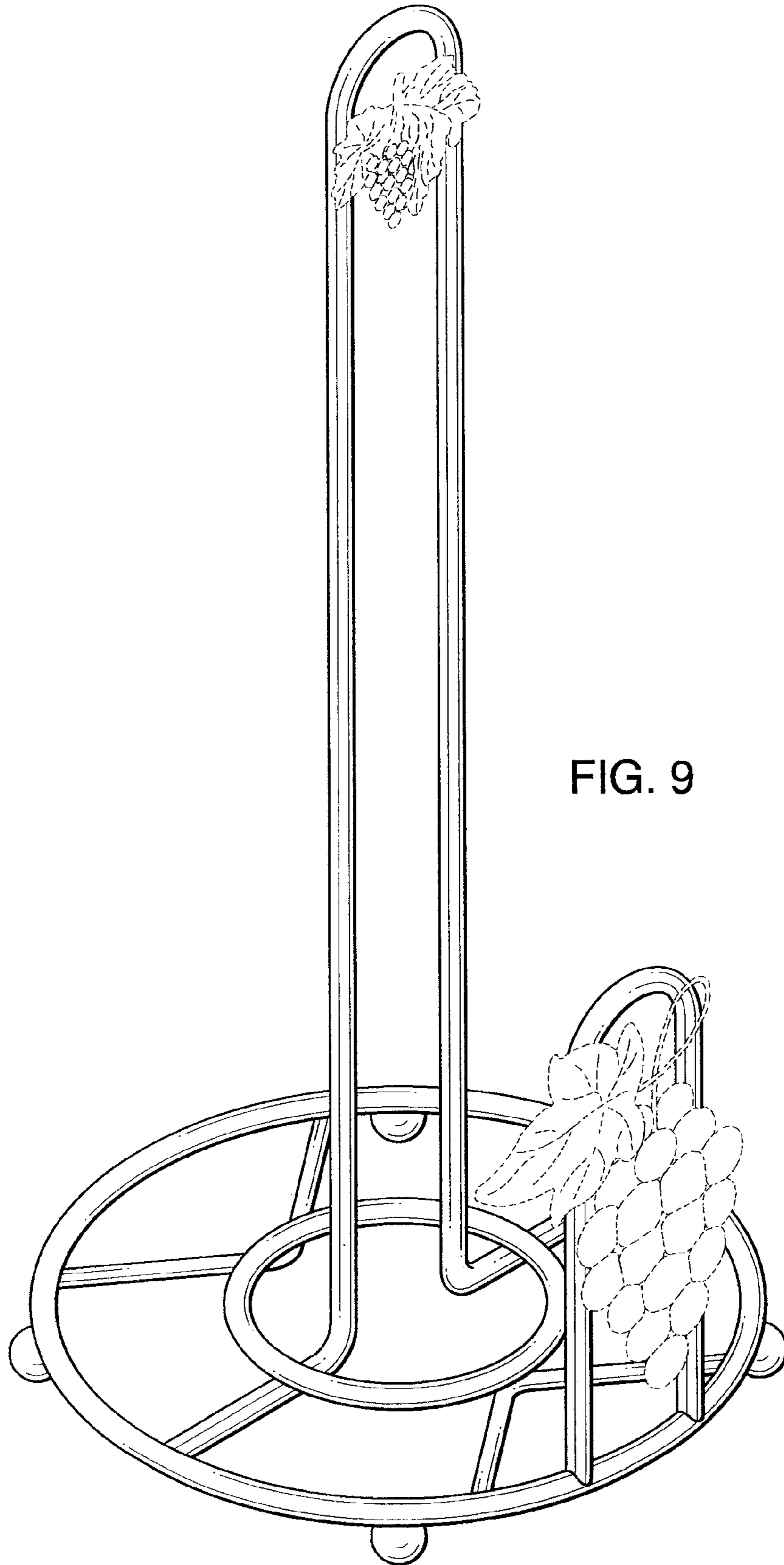


FIG. 9