



US00D628834S

(12) **United States Design Patent**
Tierney

(10) **Patent No.:** **US D628,834 S**

(45) **Date of Patent:** **** Dec. 14, 2010**

(54) **HANGING STORAGE ORGANIZER**

(75) Inventor: **David James Tierney**, Jersey City, NJ
(US)

(73) Assignee: **Bed Bath & Beyond Procurement Co.**
Inc., Farmingdale, NY (US)

(**) Term: **14 Years**

(21) Appl. No.: **29/353,786**

(22) Filed: **Jan. 14, 2010**

(51) **LOC (9) Cl.** **06-06**

(52) **U.S. Cl.** **D6/513**

(58) **Field of Classification Search** D6/512-514,
D6/315, 317, 320, 324, 325, 522, 570, 574,
D6/548, 549; D21/692; 211/13.1, 34-39,
211/85.31, 113, 117-119; 248/309.2

See application file for complete search history.

(56) **References Cited**

U.S. PATENT DOCUMENTS

1,982,166 A	11/1934	Hultquist	
2,440,192 A	4/1948	Cowan	
D167,836 S	9/1952	Kandarian	
2,620,074 A	12/1952	Moore	
2,710,638 A	6/1955	Ford	
3,162,473 A *	12/1964	George	211/113
3,184,273 A	5/1965	Blough	
3,187,904 A *	6/1965	Kiechle	211/118
3,414,175 A	12/1968	Brosk	
3,610,426 A *	10/1971	Thomas	211/117
D243,055 S	1/1977	Blumberg	
D247,084 S	1/1978	De Mascole et al.	
4,134,479 A	1/1979	Crider, Jr.	
D256,636 S	9/1980	Leishman	
4,422,556 A	12/1983	Moore	
D277,349 S *	1/1985	Campbell	D6/513
4,518,089 A *	5/1985	Campbell	211/118
4,535,990 A	8/1985	Yamada	
4,595,106 A	6/1986	Kunze et al.	
4,620,651 A	11/1986	Spies	
4,893,715 A *	1/1990	Papazian et al.	211/118

4,947,987 A	8/1990	Keenan
5,065,864 A	11/1991	Schmitt
D332,697 S	1/1993	Schildkraut
D367,985 S	3/1996	Hale
5,509,588 A	4/1996	Kimball
5,526,968 A	6/1996	Larson
5,542,530 A	8/1996	Freelander
5,628,398 A	5/1997	Jackson
D382,747 S	8/1997	Dickinson et al.

(Continued)

Primary Examiner—Brian N Vinson

(74) *Attorney, Agent, or Firm*—Lerner, David, Littenberg,
Krumholz & Mentlik, LLP

(57) **CLAIM**

The ornamental design for a hanging storage organizer, as shown and described.

DESCRIPTION

FIG. 1 is a perspective view of a hanging storage organizer showing one embodiment of my new design;

FIG. 2 is a front elevational view of the hanging storage organizer as shown in FIG. 1;

FIG. 3 is a rear elevational view of the hanging storage organizer as shown in FIG. 1;

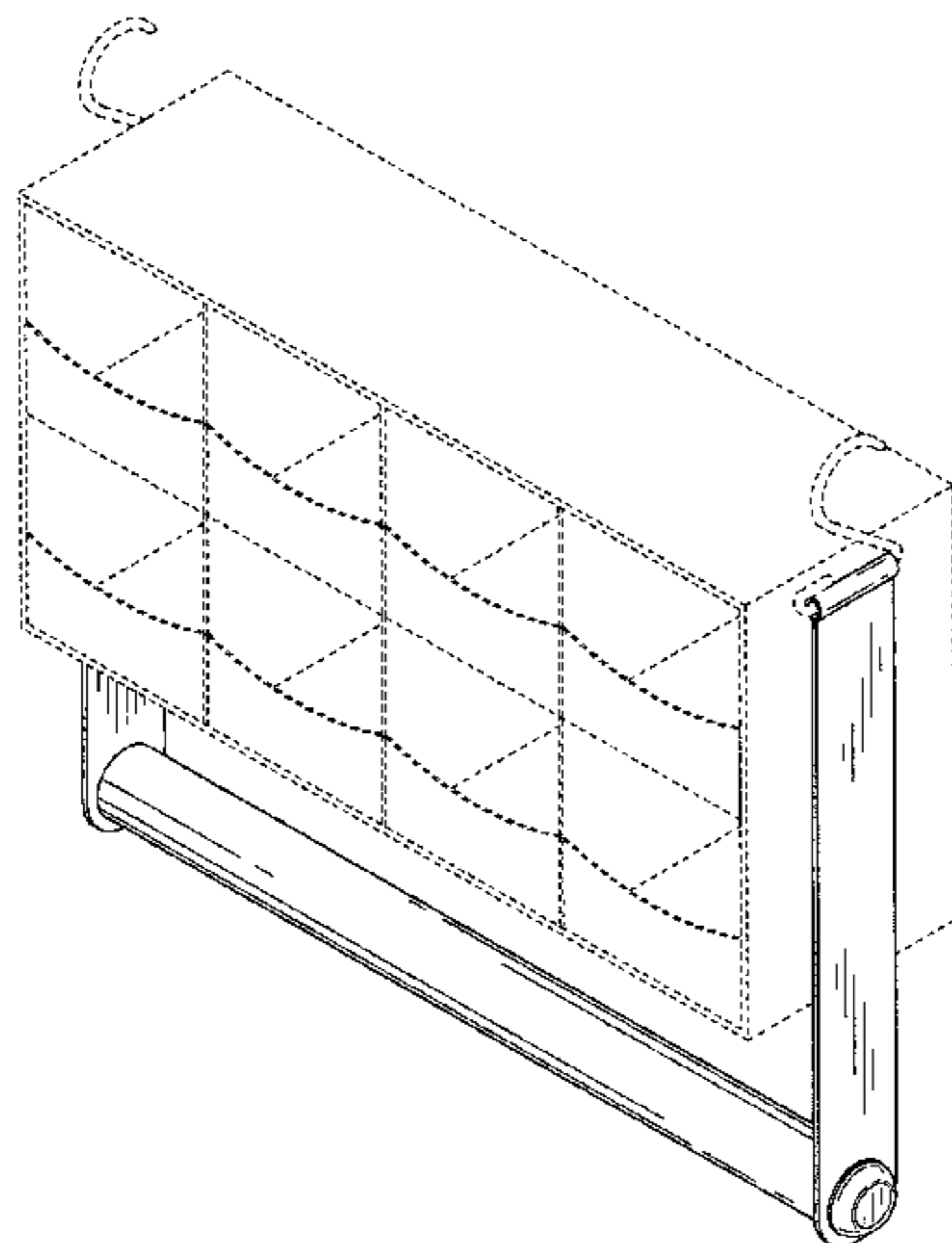
FIG. 4 is a right side elevational view of the hanging storage organizer as shown in FIG. 1, the left side elevational view being a mirror image thereof;

FIG. 5 is a top plan view of the hanging storage organizer as shown in FIG. 1; and,

FIG. 6 is a bottom plan view of the hanging storage organizer as shown in FIG. 1.

The broken lines shown in the drawings are for illustration purposes only and form no part of the claimed design.

1 Claim, 5 Drawing Sheets



US D628,834 S

Page 2

U.S. PATENT DOCUMENTS

D390,011 S	2/1998	Turner	6,732,659 B2	5/2004	Poon
5,713,646 A	2/1998	Wang	6,808,064 B1	10/2004	Fanning
5,865,517 A	2/1999	Wang	7,059,469 B2	6/2006	Simon et al.
6,273,280 B1 *	8/2001	Markarian	D610,849 S *	3/2010	Klein et al. D6/513
D465,363 S	11/2002	Ong	2006/0137949 A1	6/2006	Levinson et al.

* cited by examiner

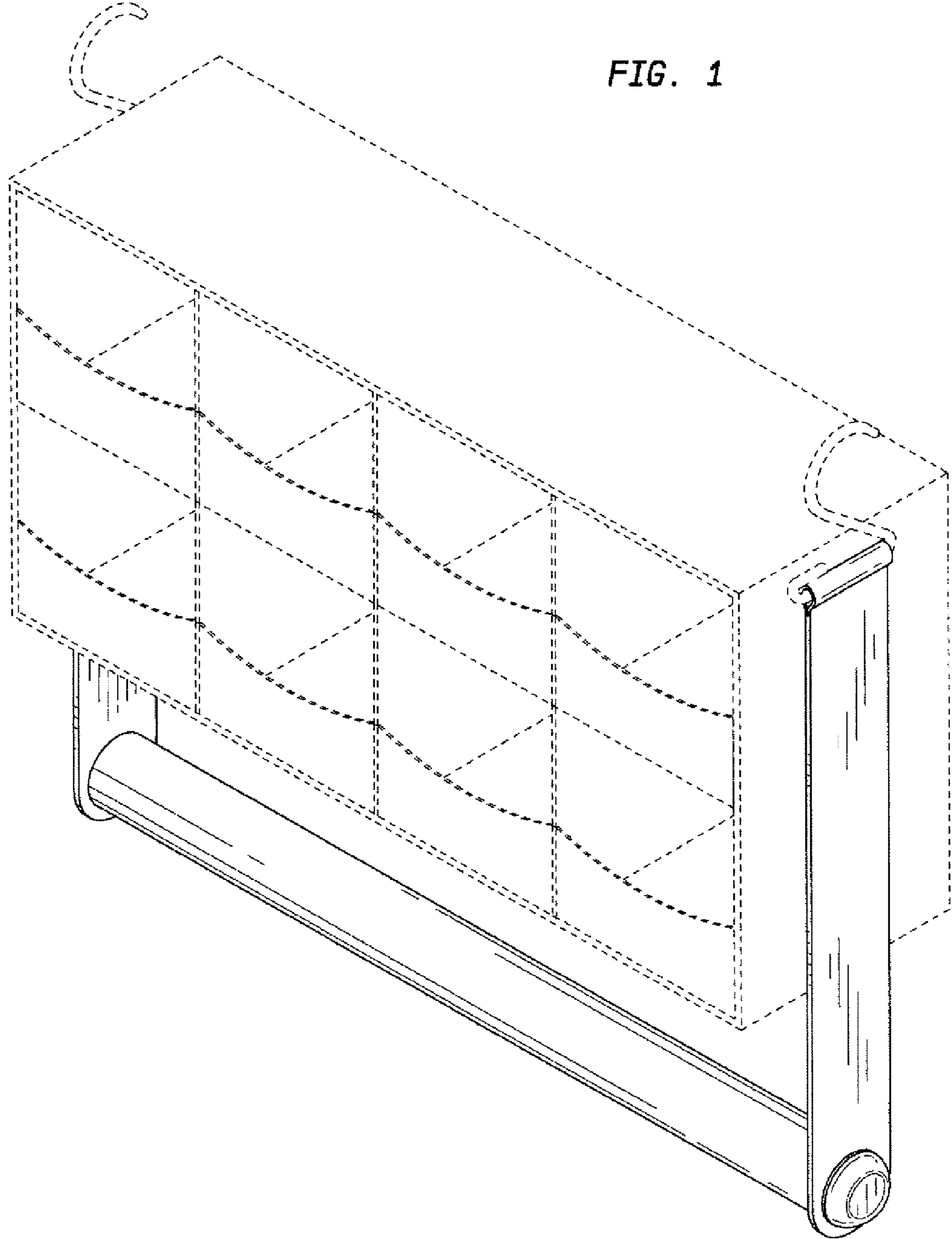


FIG. 1

FIG. 2

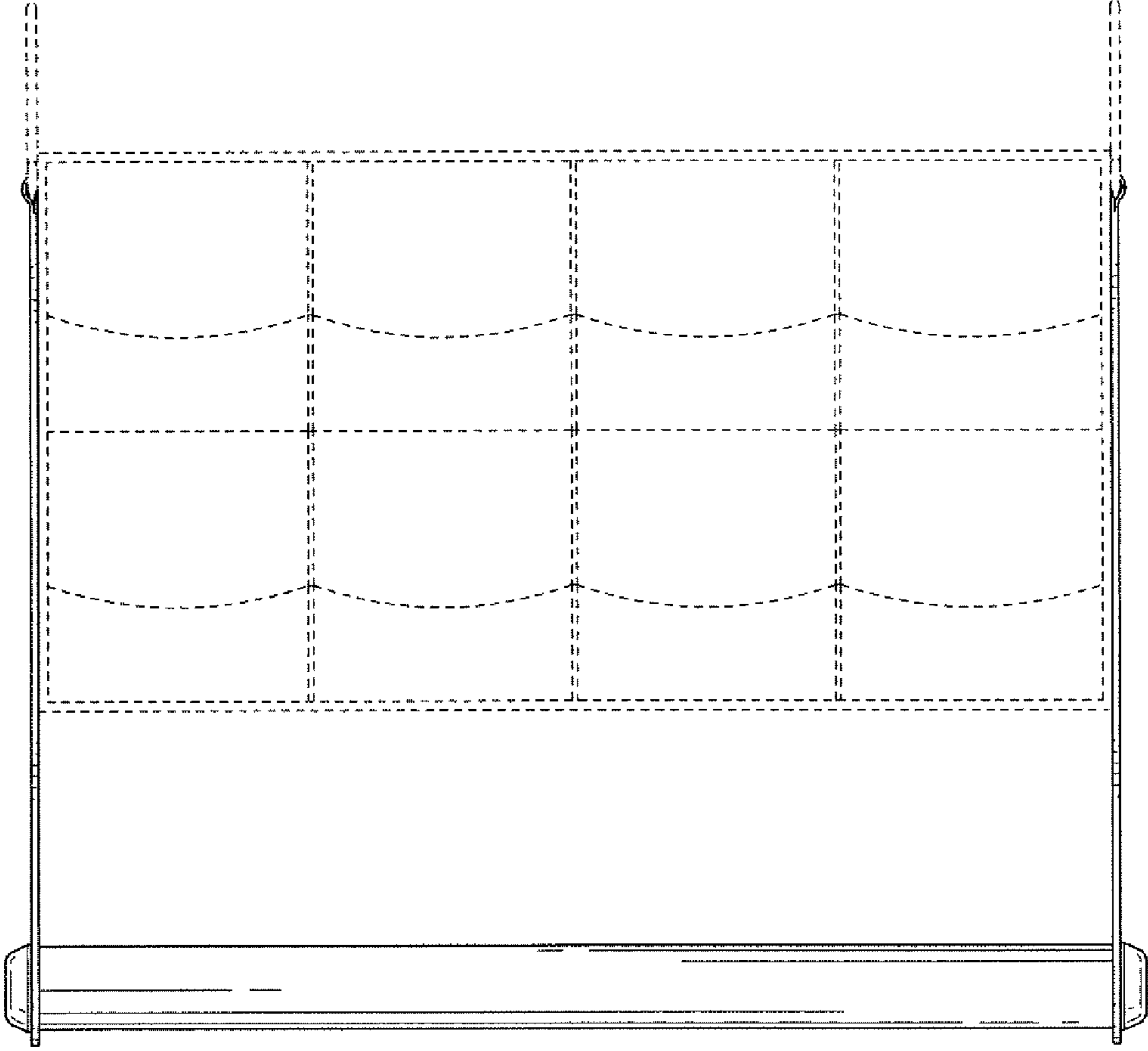


FIG. 3

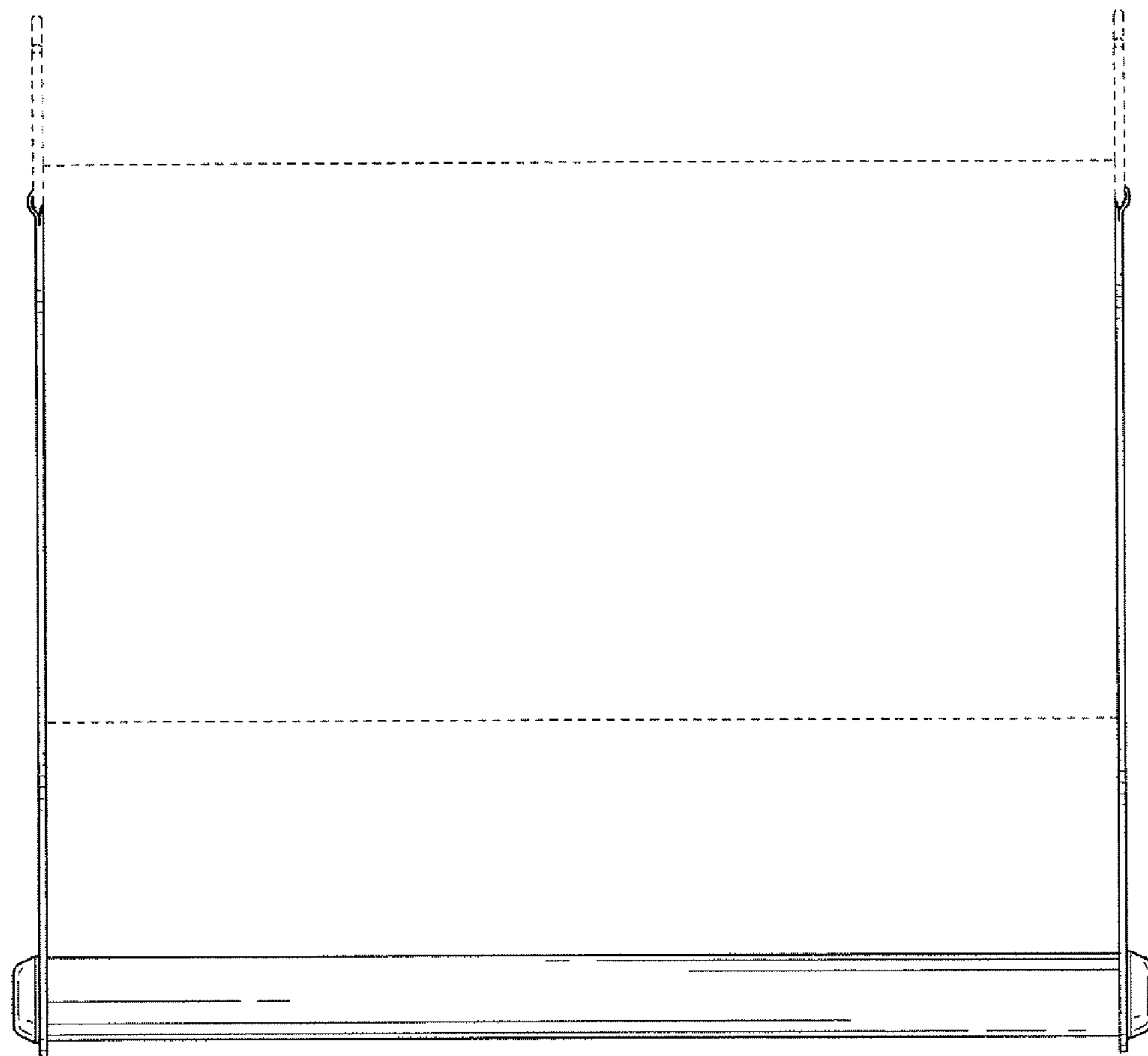


FIG. 4

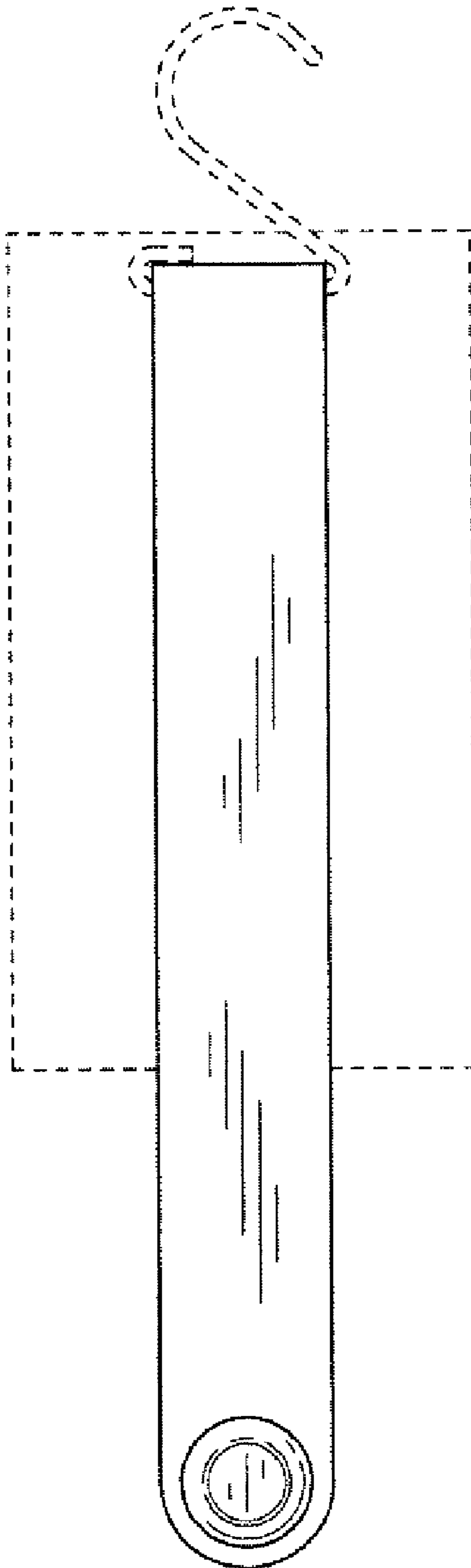


FIG. 5

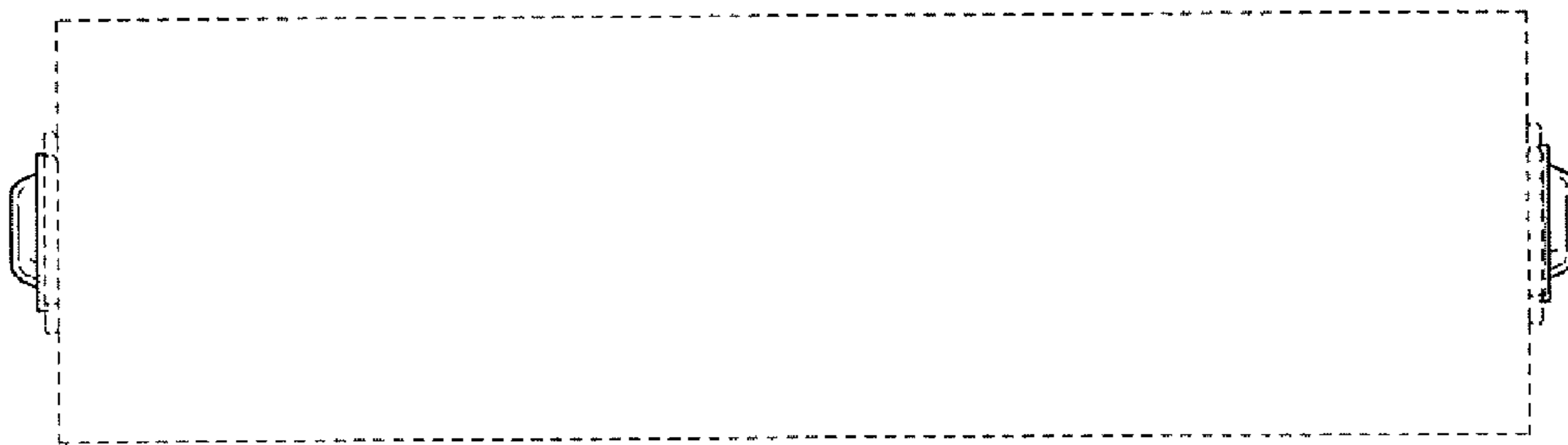


FIG. 6

