

US00D628833S

(12) **United States Design Patent**
Giles et al.

(10) **Patent No.:** **US D628,833 S**

(45) **Date of Patent:** **** Dec. 14, 2010**

(54) **TABLE COMPARTMENT**

(75) Inventors: **Stephen Giles**, High Point, NC (US);
David A. Clark, Charlotte, NC (US)

(73) Assignee: **Universal Furniture International, Inc.**, High Point, NC (US)

(**) Term: **14 Years**

(21) Appl. No.: **29/360,006**

(22) Filed: **Apr. 19, 2010**

Related U.S. Application Data

(63) Continuation of application No. 11/781,626, filed on Jul. 23, 2007, now abandoned.

(51) **LOC (9) Cl.** **06-06**

(52) **U.S. Cl.** **D6/511; D6/510**

(58) **Field of Classification Search** D6/480,
D6/484, 429-431, 440, 510, 511; 108/50.01,
108/50.02, 25, 33, 38; 312/204
See application file for complete search history.

(56) **References Cited**

U.S. PATENT DOCUMENTS

1,906,213 A * 4/1933 Ratner et al. 108/25

4,792,881 A * 12/1988 Wilson et al. 361/827
D463,924 S * 10/2002 Kovac D6/480
D502,342 S * 3/2005 O'Hare D6/480
D553,395 S * 10/2007 Everson et al. D6/480
D591,983 S * 5/2009 Mohundro D6/480
2005/0046315 A1 * 3/2005 Doane et al. 312/196

* cited by examiner

Primary Examiner—Janice E Seeger

(74) *Attorney, Agent, or Firm*—MacCord Mason PLLC

(57) **CLAIM**

The ornamental design for a table compartment, as shown and described.

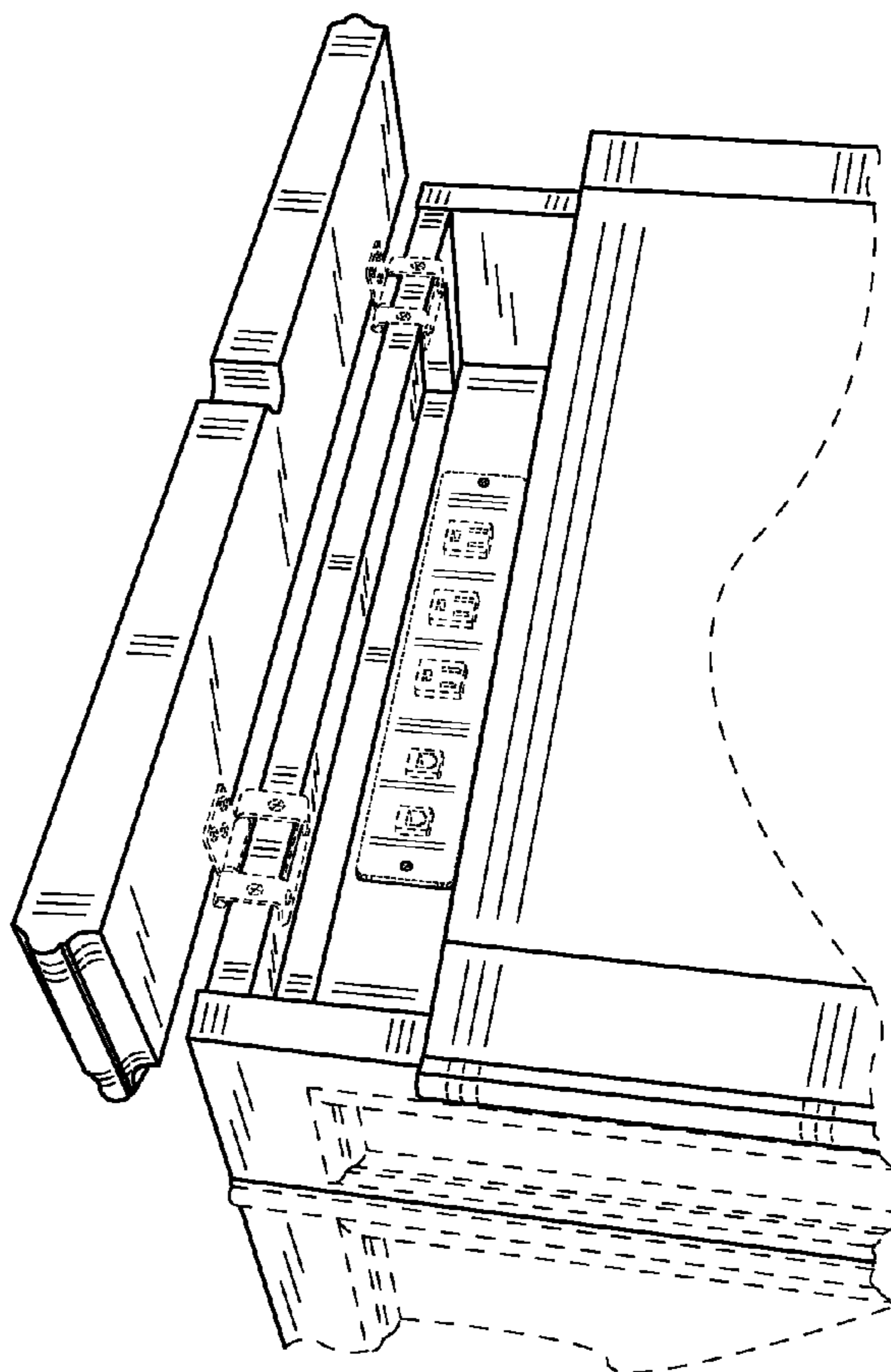
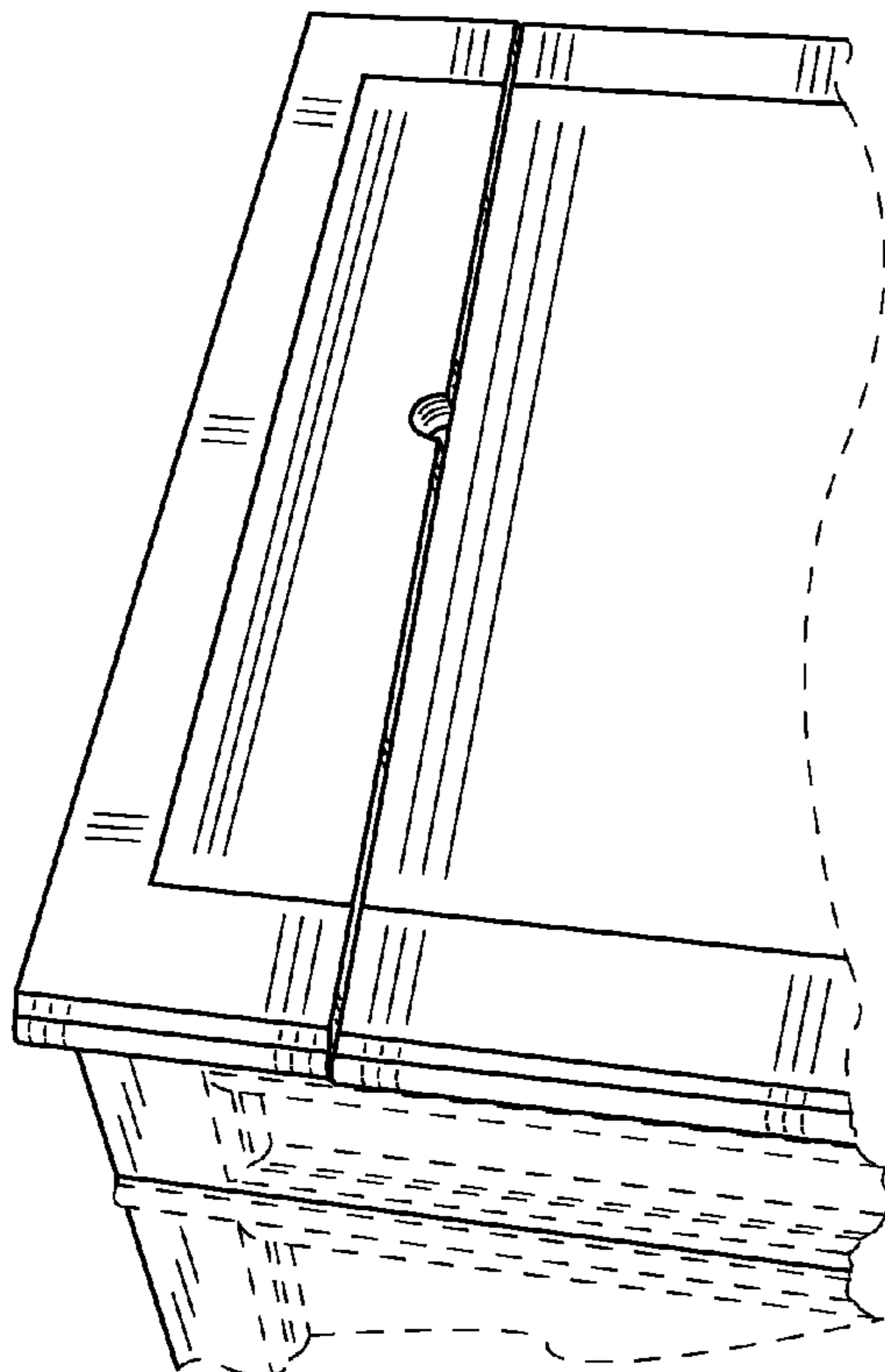
DESCRIPTION

FIG. 1 is a perspective view of a table showing my new design with the compartment in a closed position, the opposite side perspective view being a mirror image of; and,

FIG. 2 is a perspective view of the table with the compartment in an open position, the opposite side perspective view being a mirror image.

The elements shown in dotted lines are for illustrative purposes only and form no part of the claimed design.

1 Claim, 2 Drawing Sheets



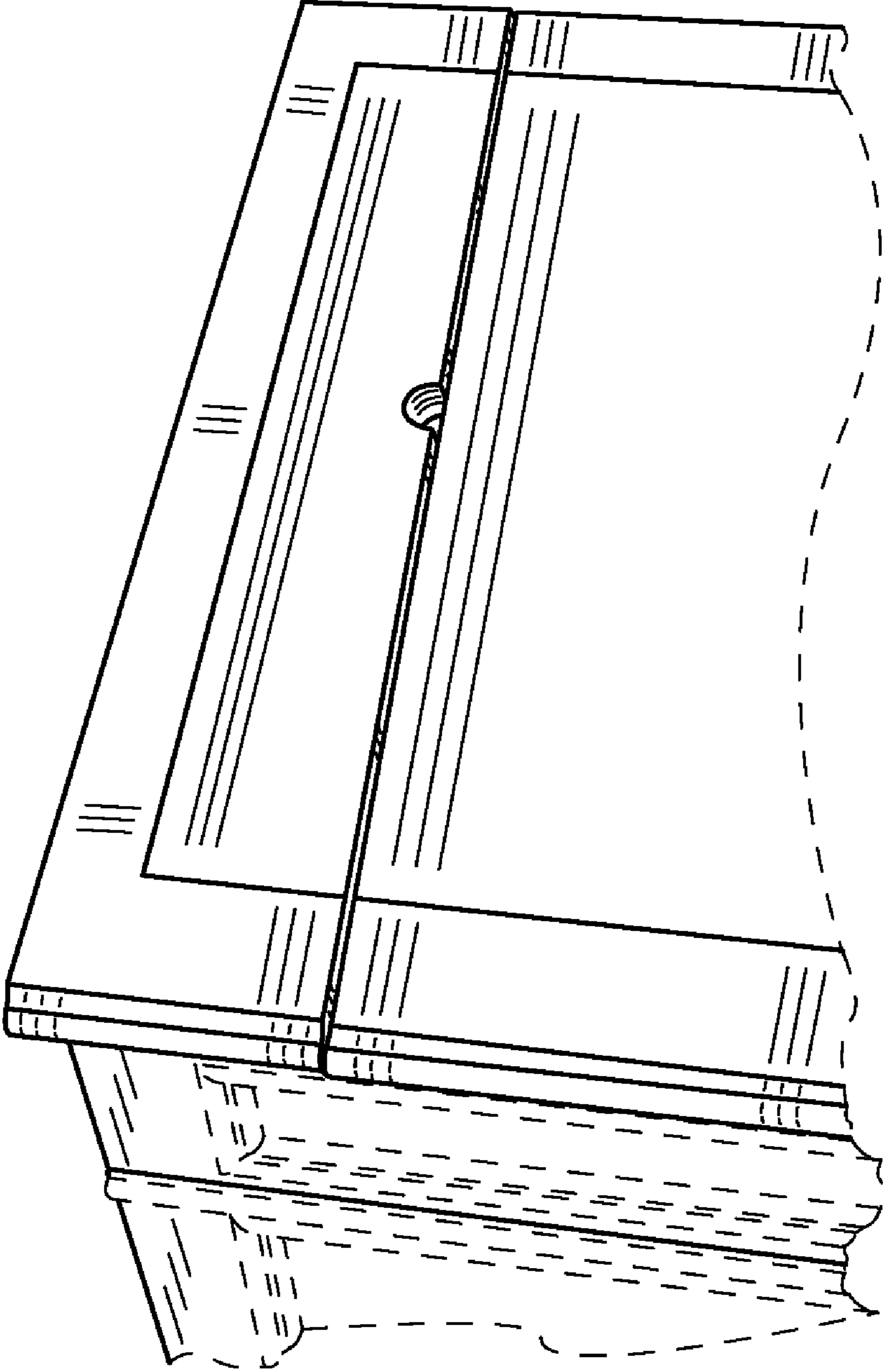


FIG. 1

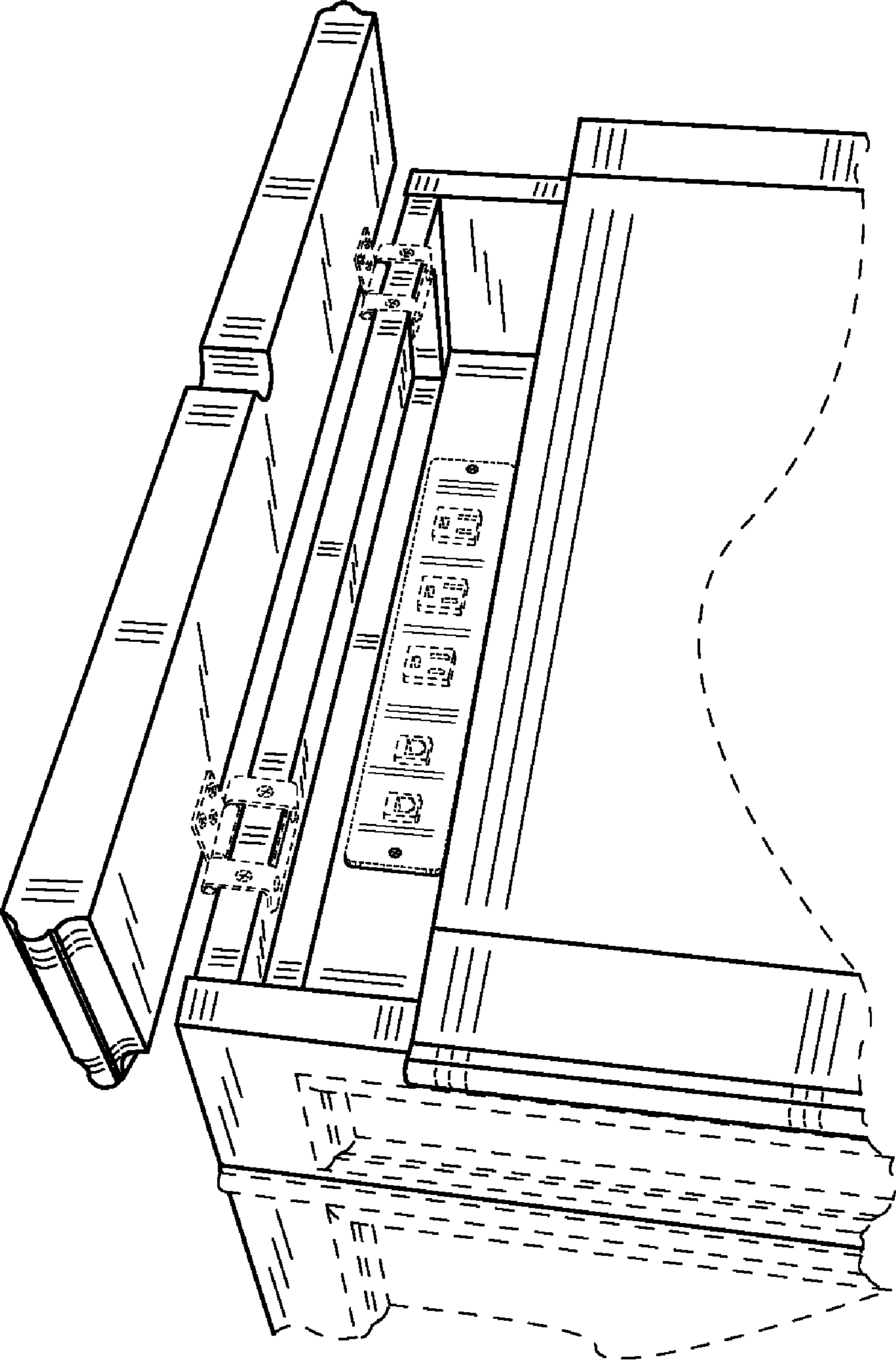


FIG. 2