



US00D628826S

(12) **United States Design Patent**  
**Kohler**

(10) **Patent No.:** **US D628,826 S**

(45) **Date of Patent:** **\*\* Dec. 14, 2010**

(54) **STORAGE APPARATUS FOR MULTIMEDIA ITEMS**

(75) Inventor: **Paul Albert Kohler**, Seattle, WA (US)

(73) Assignee: **Slam Brands, Inc.**, Redmond, WA (US)

(\*\*) Term: **14 Years**

(21) Appl. No.: **29/362,107**

(22) Filed: **May 20, 2010**

(51) **LOC (9) Cl.** ..... **06-04**

(52) **U.S. Cl.** ..... **D6/407; D6/510**

(58) **Field of Classification Search** ..... D6/407,  
D6/510, 626-635, 406.3; D19/26, 27, 65,  
D19/75, 77, 78, 81, 83, 86, 981, 92, 95, 99,  
D19/100; 206/307, 307.1, 308.1, 309, 311,  
206/312, 313, 310, 751, 373, 562, 563, 214,  
206/371; 211/69.1, 69.9, 10, 11, 13.1, 45,  
211/50; D3/273, 294, 295, 299-301, 303,  
D3/304

See application file for complete search history.

(56) **References Cited**

**U.S. PATENT DOCUMENTS**

D280,290 S *	8/1985	Bakus	.....	D9/737
D283,666 S *	5/1986	Holz Kopf	.....	D7/553.2
D308,699 S *	6/1990	Ancona et al.	.....	D19/75
D322,631 S *	12/1991	Jin	.....	D19/77
D325,397 S *	4/1992	Williams	.....	D19/75
D328,099 S *	7/1992	Williams	.....	D19/75
D331,258 S *	11/1992	Tarozzi	.....	D19/35
D339,824 S *	9/1993	Ancona et al.	.....	D19/77
D363,509 S *	10/1995	Parekh et al.	.....	D19/75
D391,295 S *	2/1998	Kocon et al.	.....	D19/77

D421,554 S *	3/2000	Govrik et al.	.....	D7/637
D427,767 S *	7/2000	Young	.....	D3/276
D478,810 S *	8/2003	Wilson	.....	D9/732
D534,421 S *	1/2007	Tanner	.....	D9/420
D583,599 S *	12/2008	Nielsen	.....	D6/510
D585,683 S *	2/2009	Nielsen	.....	D6/510
D586,596 S *	2/2009	Nielsen	.....	D6/510
D622,532 S *	8/2010	Moore	.....	D6/629
2009/0065375 A1 *	3/2009	Winters et al.	.....	206/38

\* cited by examiner

*Primary Examiner*—T. Chase Nelson

(74) *Attorney, Agent, or Firm*—Turocy & Watson, LLP

(57) **CLAIM**

The ornamental design for a storage apparatus for multimedia items, as shown and described.

**DESCRIPTION**

FIG. 1 is a first perspective view of a design for the storage apparatus for multimedia items;

FIG. 2 is a second perspective view of the design therefor;

FIG. 3 is a top plan view of the design therefor;

FIG. 4 is a bottom plan view of the design therefor;

FIG. 5 is a first side view of the design therefor;

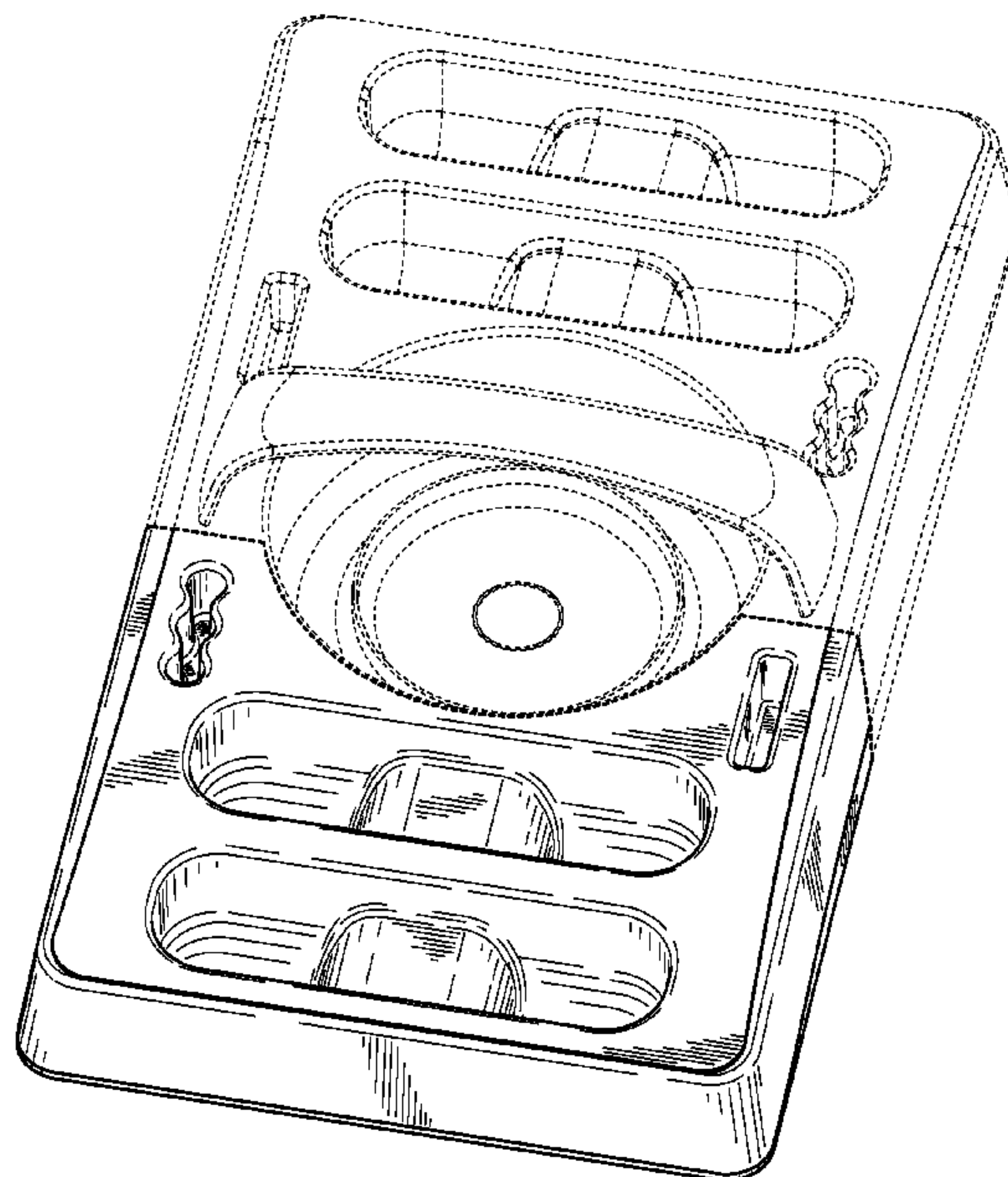
FIG. 6 is a second side view of the design therefor, opposite the first side view;

FIG. 7 is a third side view of the design therefor; and,

FIG. 8 is a fourth side view of the design therefor, opposite the third side view.

The dashed lines in the drawings are shown for environmental purposes and form no part of the claimed design.

**1 Claim, 6 Drawing Sheets**



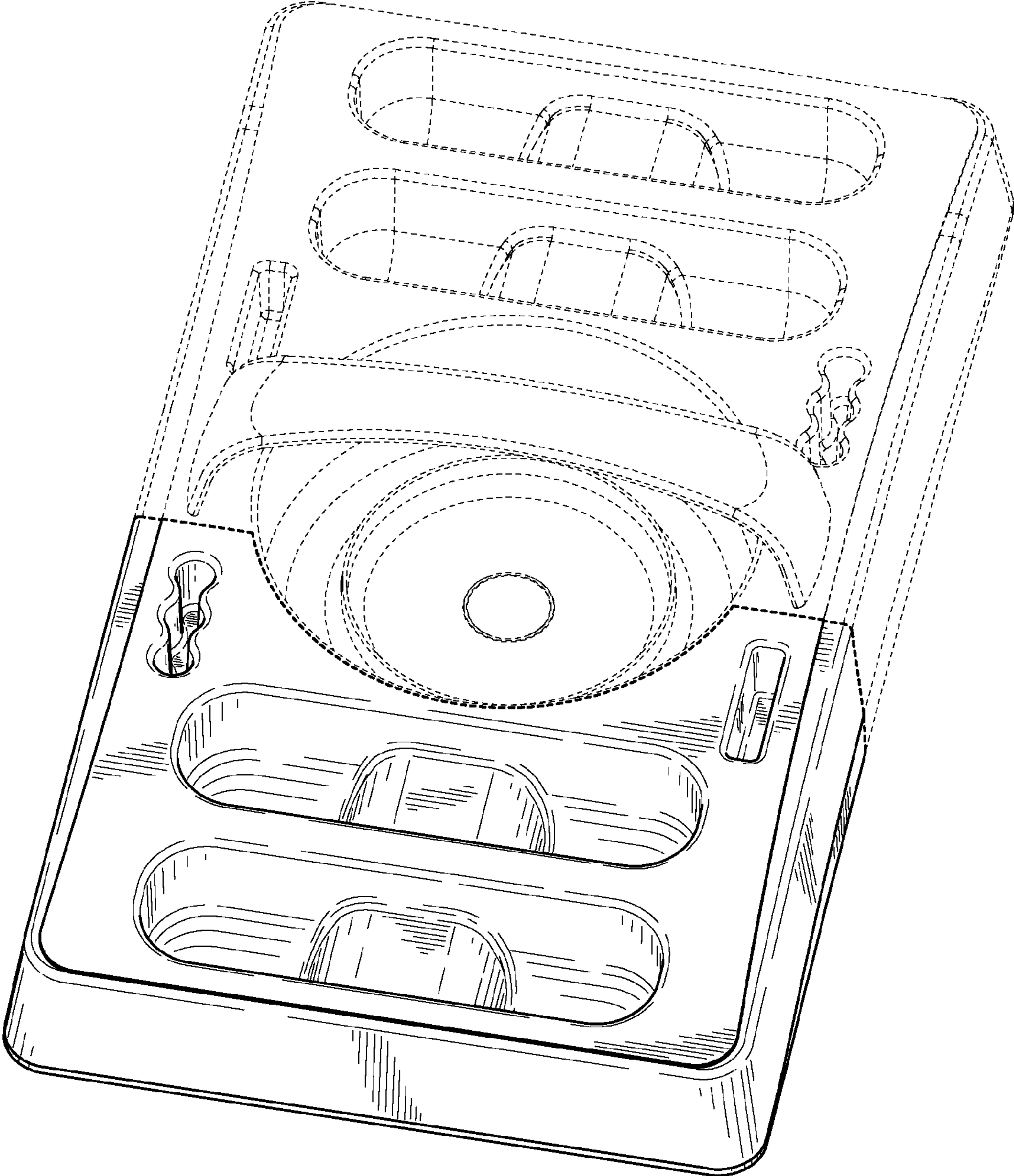


Fig. 1



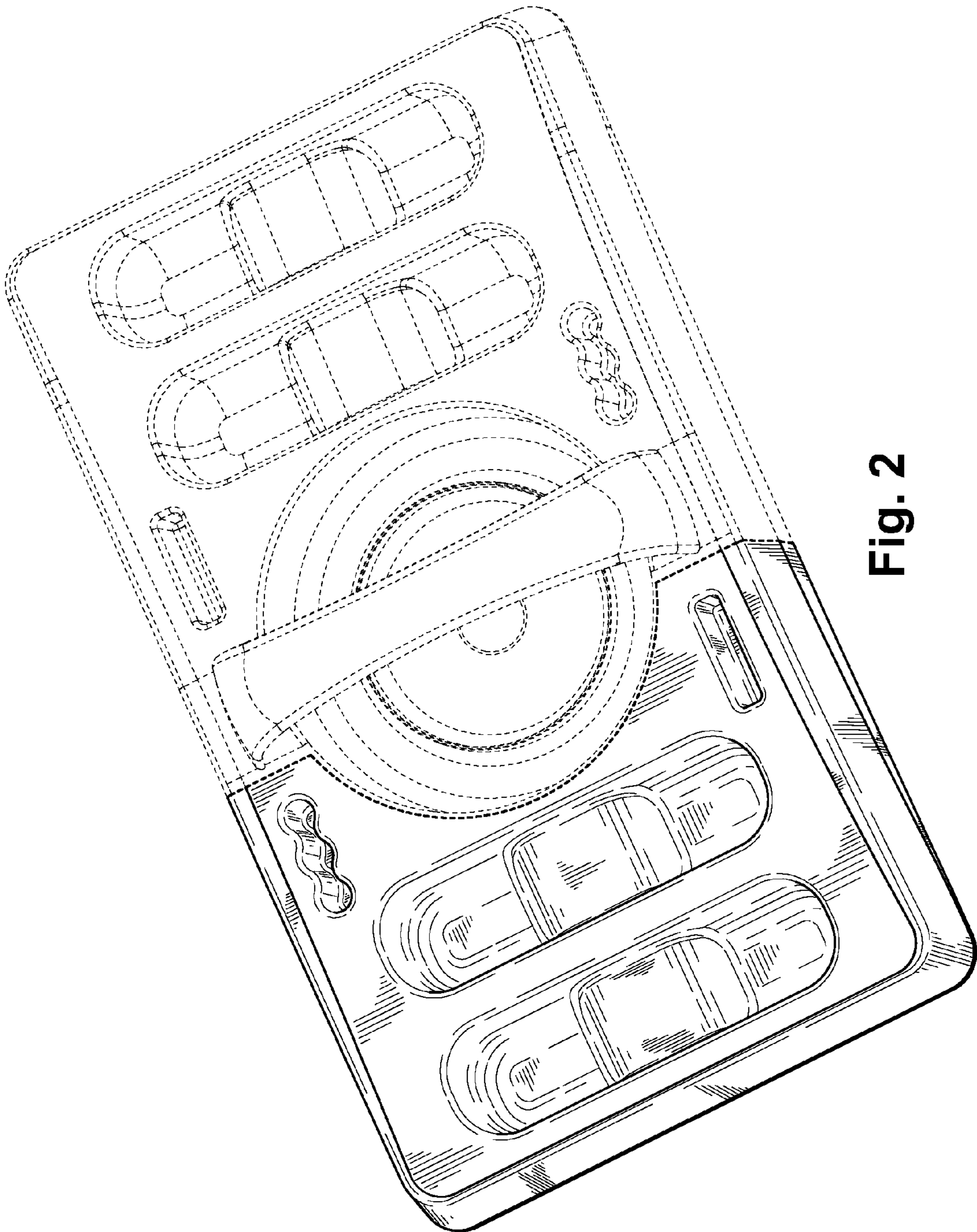


Fig. 2

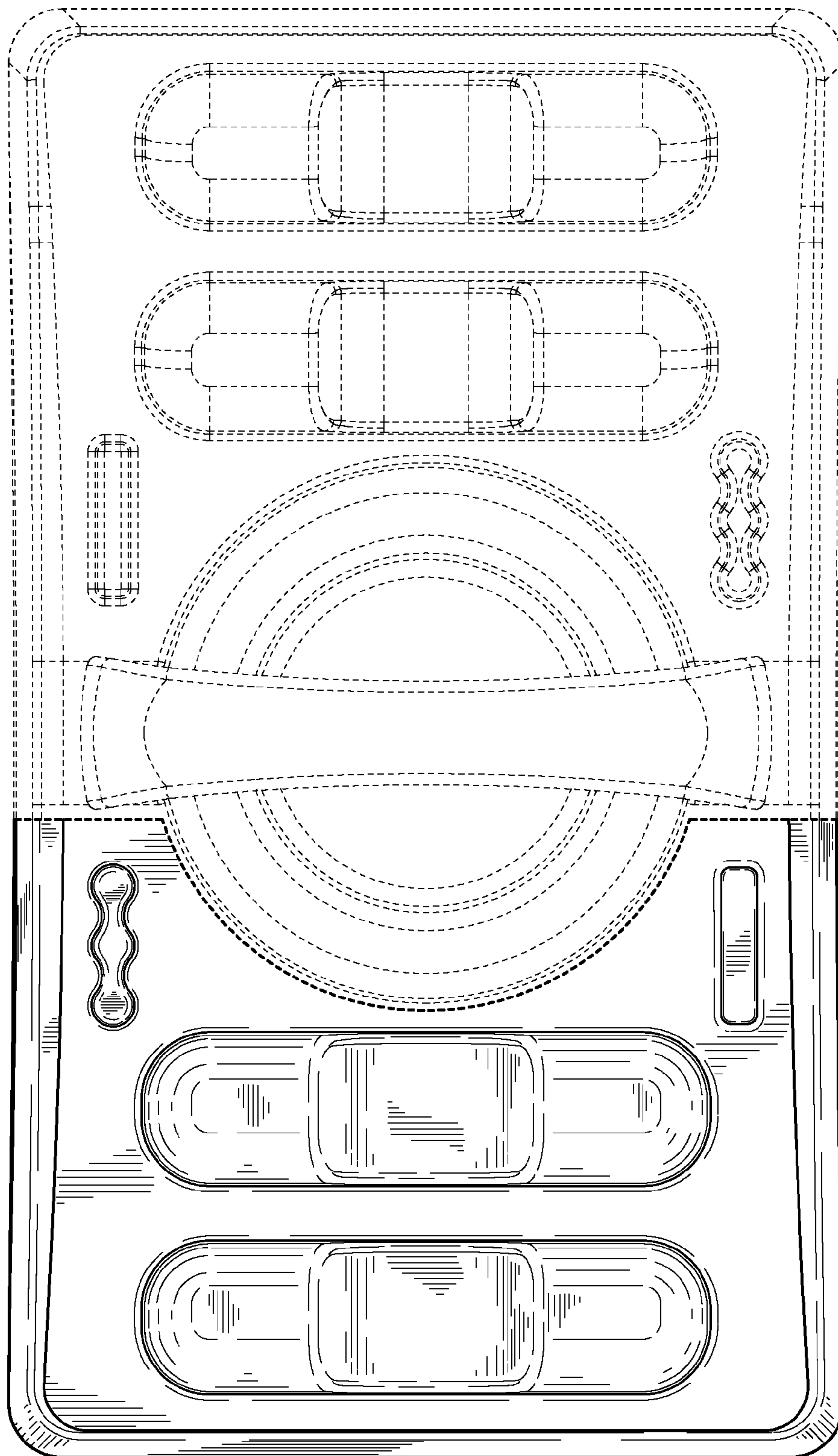


Fig. 3

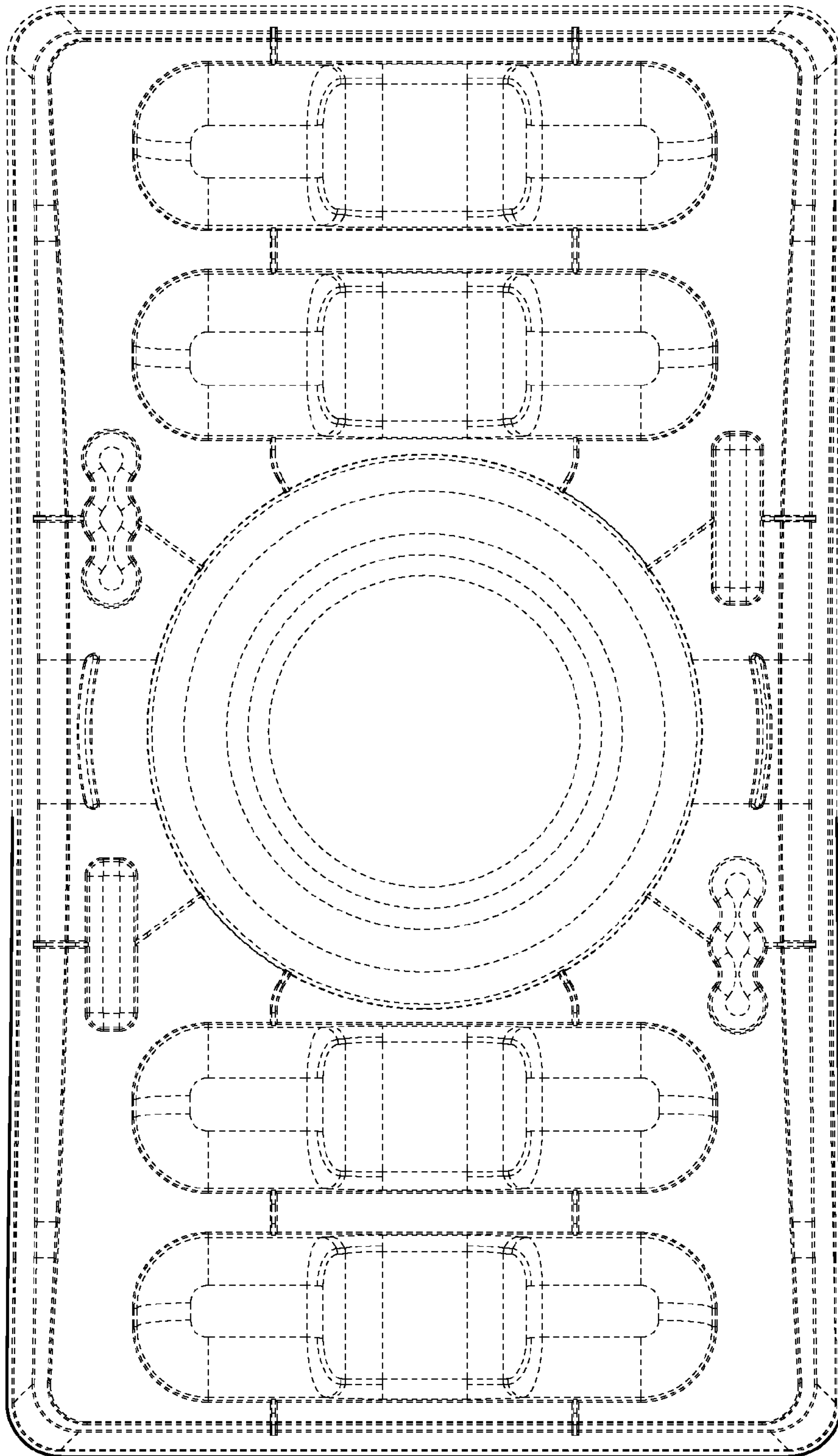
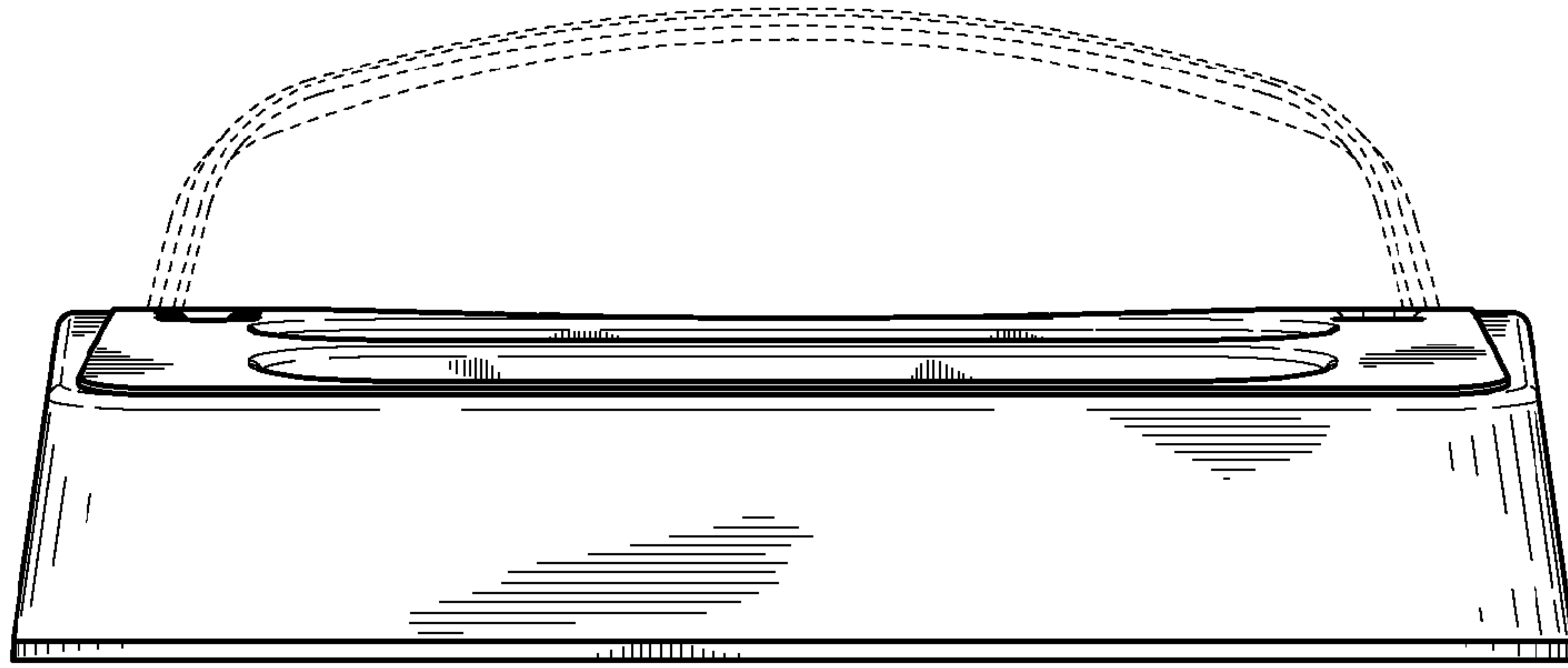
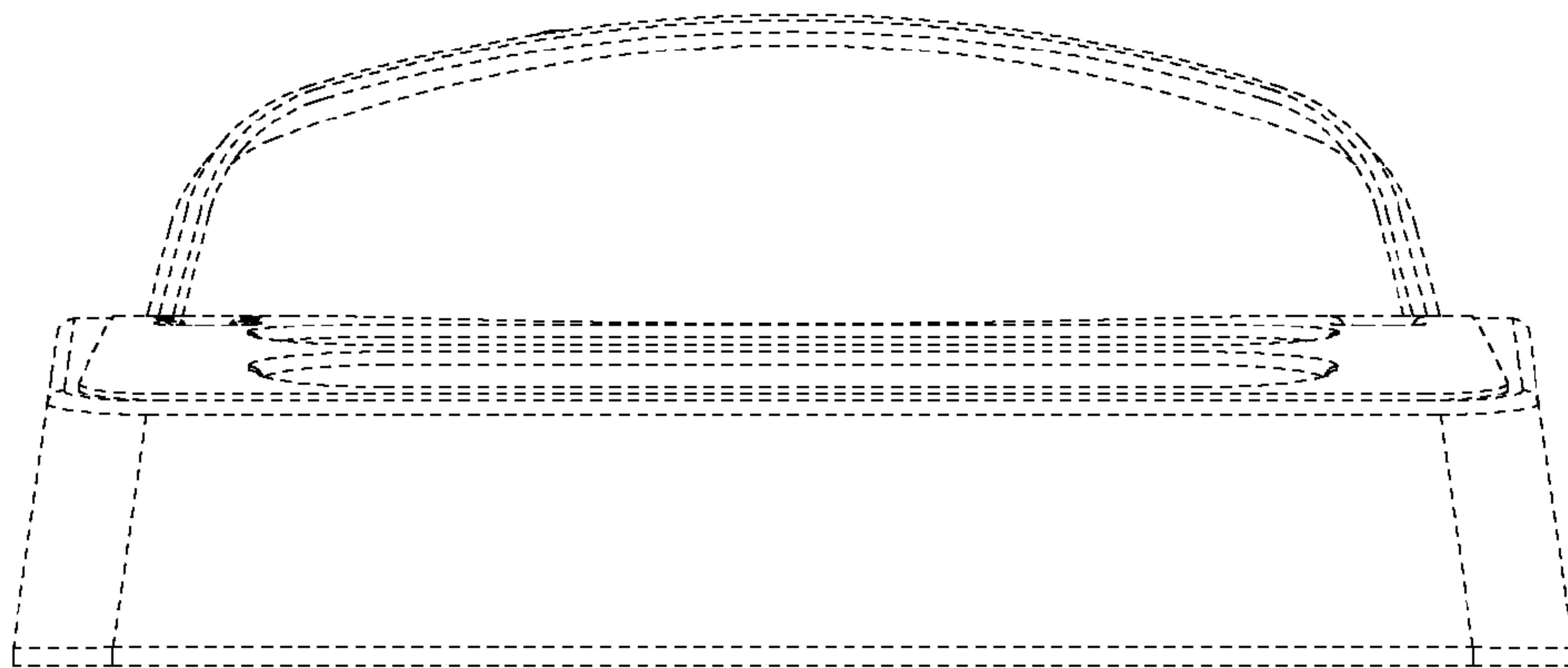


Fig. 4



**Fig. 5**



**Fig. 6**

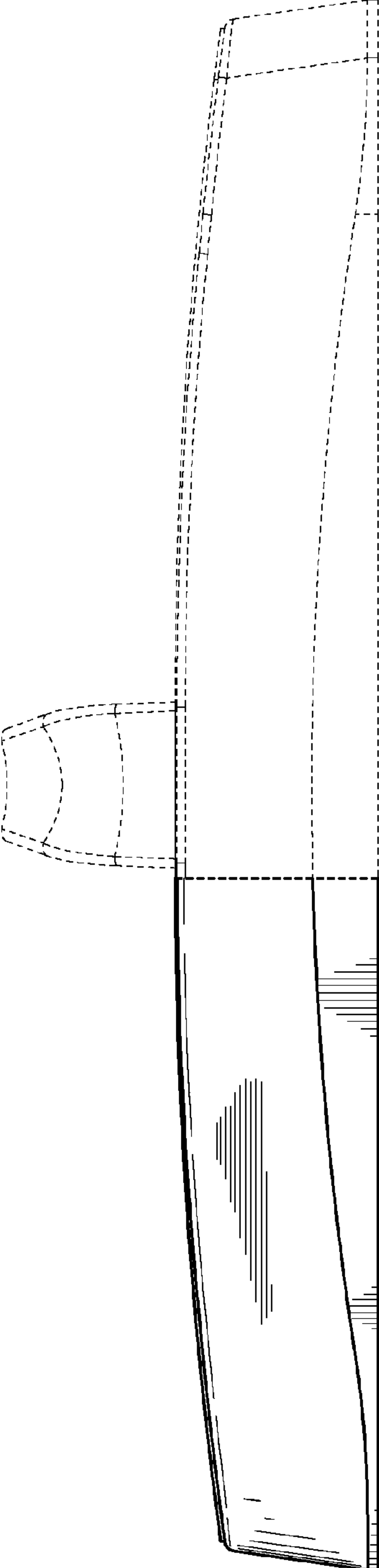


Fig. 7

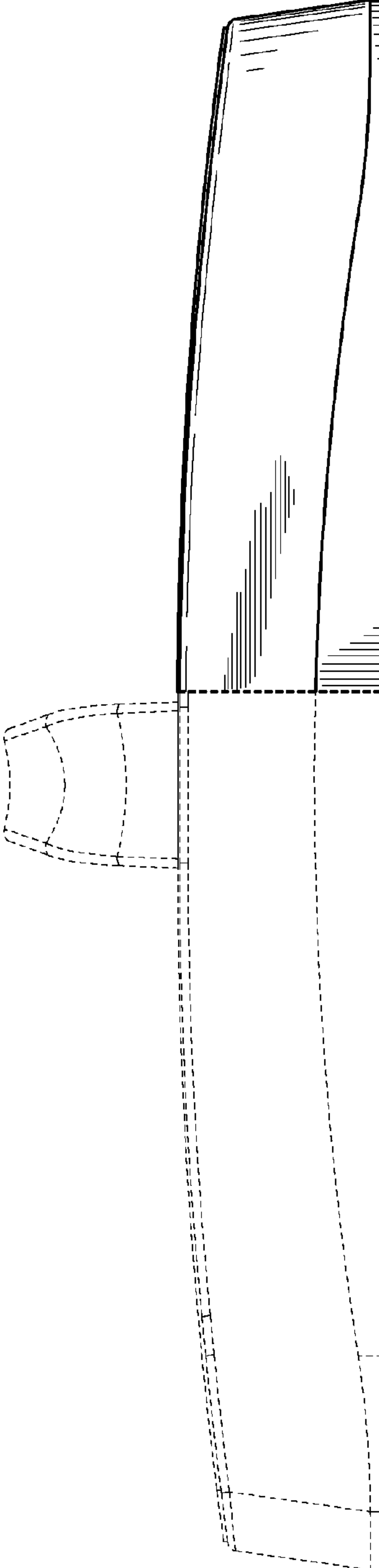


Fig. 8