

US00D628825S

(12) **United States Design Patent**
Nielsen

(10) **Patent No.:** **US D628,825 S**

(45) **Date of Patent:** **** Dec. 14, 2010**

(54) **STORAGE TRAY FOR MULTIMEDIA ITEMS**

(75) Inventor: **Britta Claire Nielsen**, Seattle, WA (US)

(73) Assignee: **Slam Brands, Inc.**, Redmond, WA (US)

(**) Term: **14 Years**

(21) Appl. No.: **29/362,106**

(22) Filed: **May 20, 2010**

(51) **LOC (9) Cl.** **06-04**

(52) **U.S. Cl.** **D6/407; D6/510**

(58) **Field of Classification Search** D6/407,
D6/510, 626-635, 406.3; D19/26, 27, 65,
D19/75, 77, 78, 81, 83, 86, 981, 92, 95, 99,
D19/100; 206/307, 307.1, 308.1, 309, 311,
206/312, 313, 310, 751, 373, 562, 563, 214,
206/371; 211/69.1, 69.9, 10, 11, 13.1, 45,
211/50; D3/273, 294, 295, 299-301, 303,
D3/304

See application file for complete search history.

(56) **References Cited**

U.S. PATENT DOCUMENTS

D280,290 S *	8/1985	Bakus	D9/737
D283,666 S *	5/1986	Holz Kopf	D7/553.2
D308,699 S *	6/1990	Ancona et al.	D19/75
D323,532 S *	1/1992	Evenson	D19/75
D328,099 S *	7/1992	Williams	D19/75
D330,219 S *	10/1992	Carlson et al.	D19/77
D331,942 S *	12/1992	Kirchner	D19/78
D333,842 S *	3/1993	Kirchner	D19/78
D339,824 S *	9/1993	Ancona et al.	D19/77
D363,509 S *	10/1995	Parekh et al.	D19/75
D396,954 S *	8/1998	Iversen et al.	D3/313
D396,955 S *	8/1998	Iversen et al.	D3/313
D417,785 S *	12/1999	Daniels	D3/313
D419,772 S *	2/2000	Williams	D3/313
D421,554 S *	3/2000	Govrik et al.	D7/637

D422,141 S *	4/2000	Dembicks	D3/313
6,129,235 A *	10/2000	Creske	220/575
D456,451 S *	4/2002	Slater et al.	D19/78
6,439,388 B1 *	8/2002	Lerner	206/562
D463,977 S *	10/2002	Castellanos et al.	D9/761
6,467,622 B1 *	10/2002	Hull	206/553
6,591,990 B2 *	7/2003	Lanman et al.	211/10
D509,249 S *	9/2005	Nelson et al.	D19/75

(Continued)

Primary Examiner—T. Chase Nelson

(74) *Attorney, Agent, or Firm*—Turocy & Watson, LLP

(57) **CLAIM**

The ornamental design for a storage tray for multimedia items, as shown and described.

DESCRIPTION

FIG. 1 is a first perspective view of a design for the storage tray for multimedia items;

FIG. 2 is a second perspective view of the design therefor;

FIG. 3 is a top plan view of the design therefor;

FIG. 4 is a bottom plan view of the design therefor;

FIG. 5 is a first side view of the design therefor;

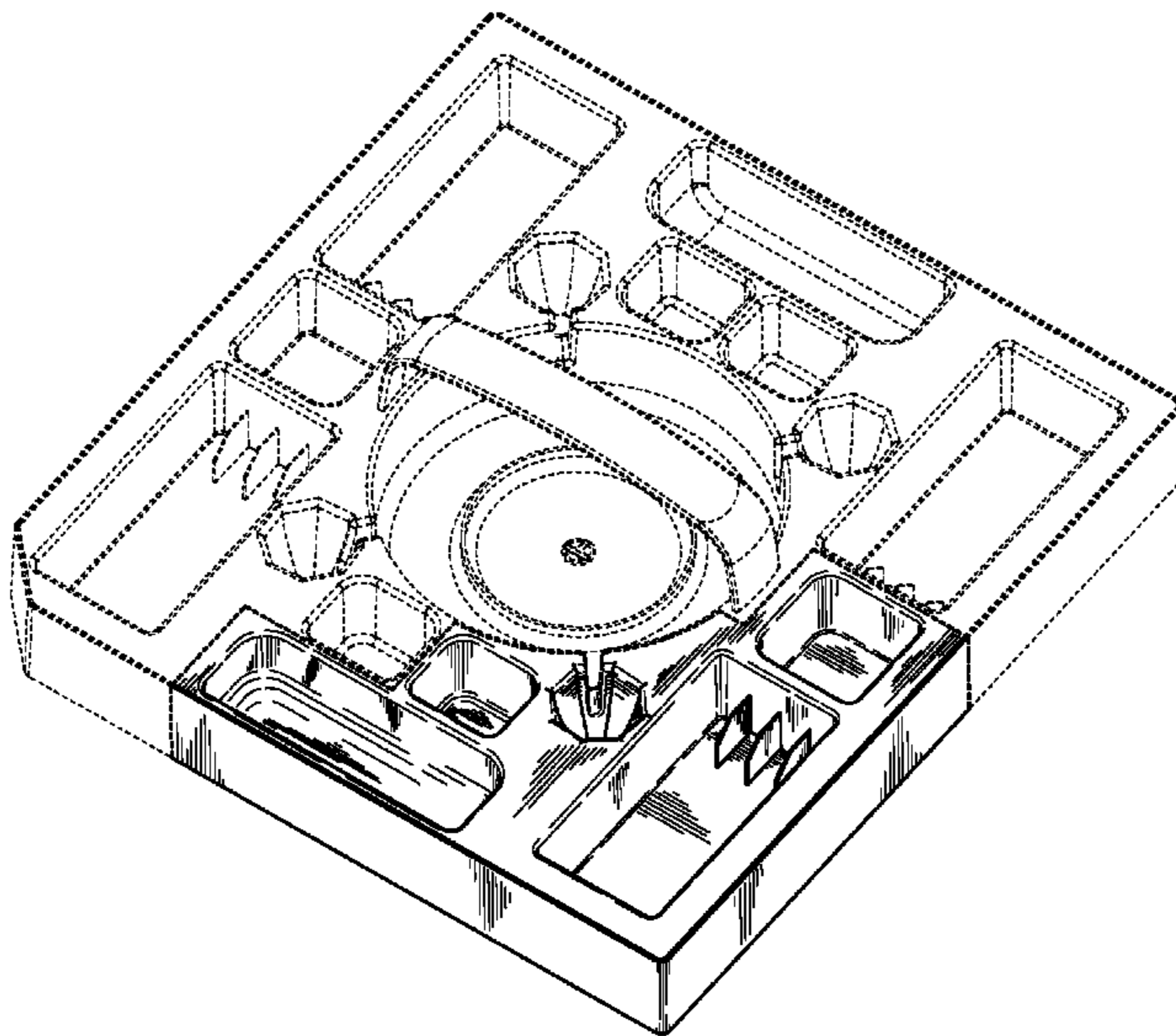
FIG. 6 is a second side view of the design therefor, opposite the first side view;

FIG. 7 is a third side view of the design therefor; and,

FIG. 8 is a fourth side view of the design therefor, opposite the third side view.

The dashed lines in the drawings are shown for environmental purposes and form no part of the claimed design.

1 Claim, 6 Drawing Sheets



US D628,825 S

Page 2

U.S. PATENT DOCUMENTS

D579,698 S	*	11/2008	Nielsen	D6/510	D586,596 S	*	2/2009	Nielsen	D6/510
D581,186 S	*	11/2008	Nielsen	D6/457	D604,072 S	*	11/2009	Nielsen	D6/510
D583,599 S	*	12/2008	Nielsen	D6/510	D616,223 S	*	5/2010	Nielsen	D6/457
D584,083 S	*	1/2009	Nielsen	D6/510	D622,532 S	*	8/2010	Moore	D6/629
D585,683 S	*	2/2009	Nielsen	D6/510	2009/0314674 A1	*	12/2009	Sauerheber	206/373

* cited by examiner

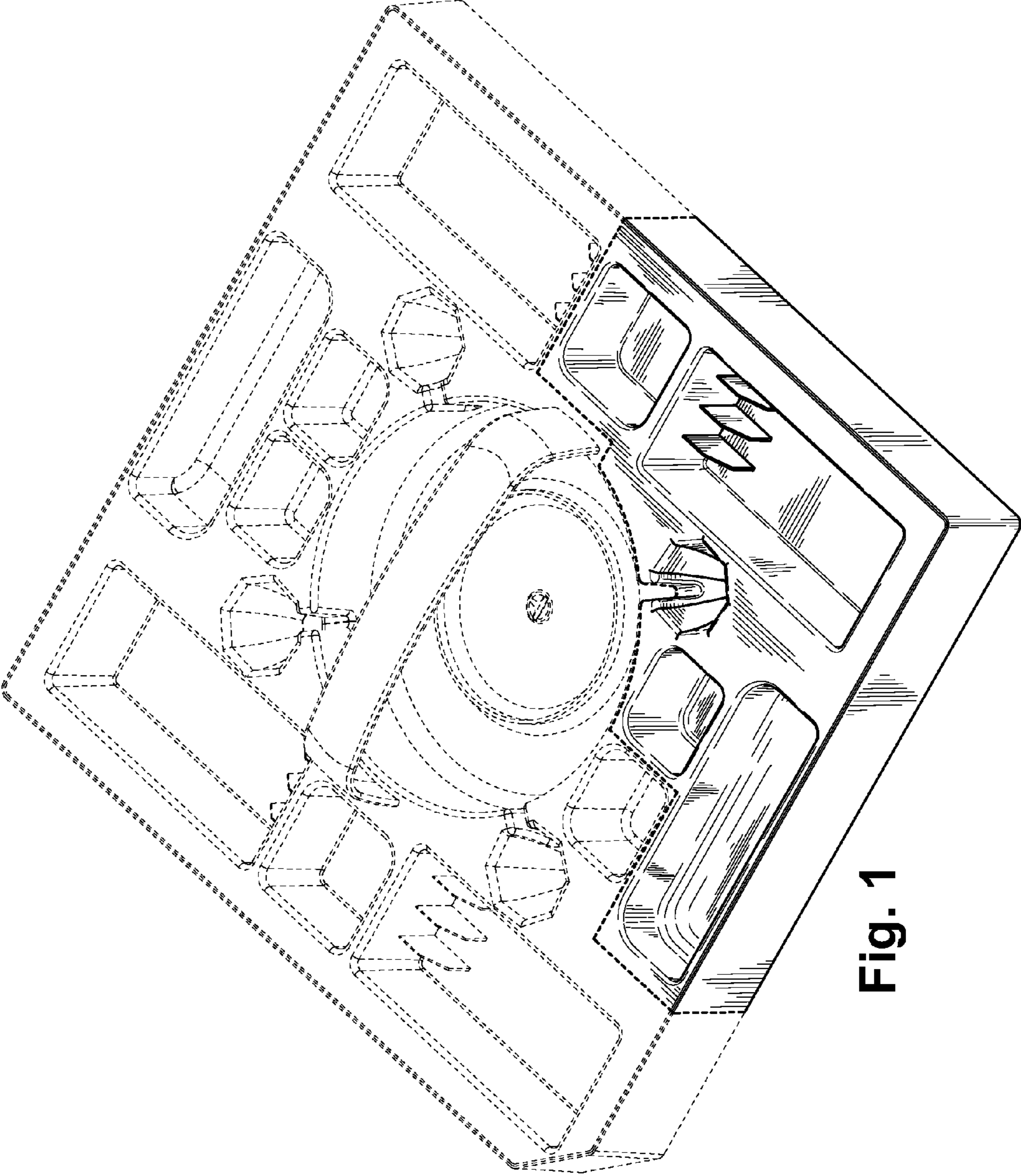


Fig. 1

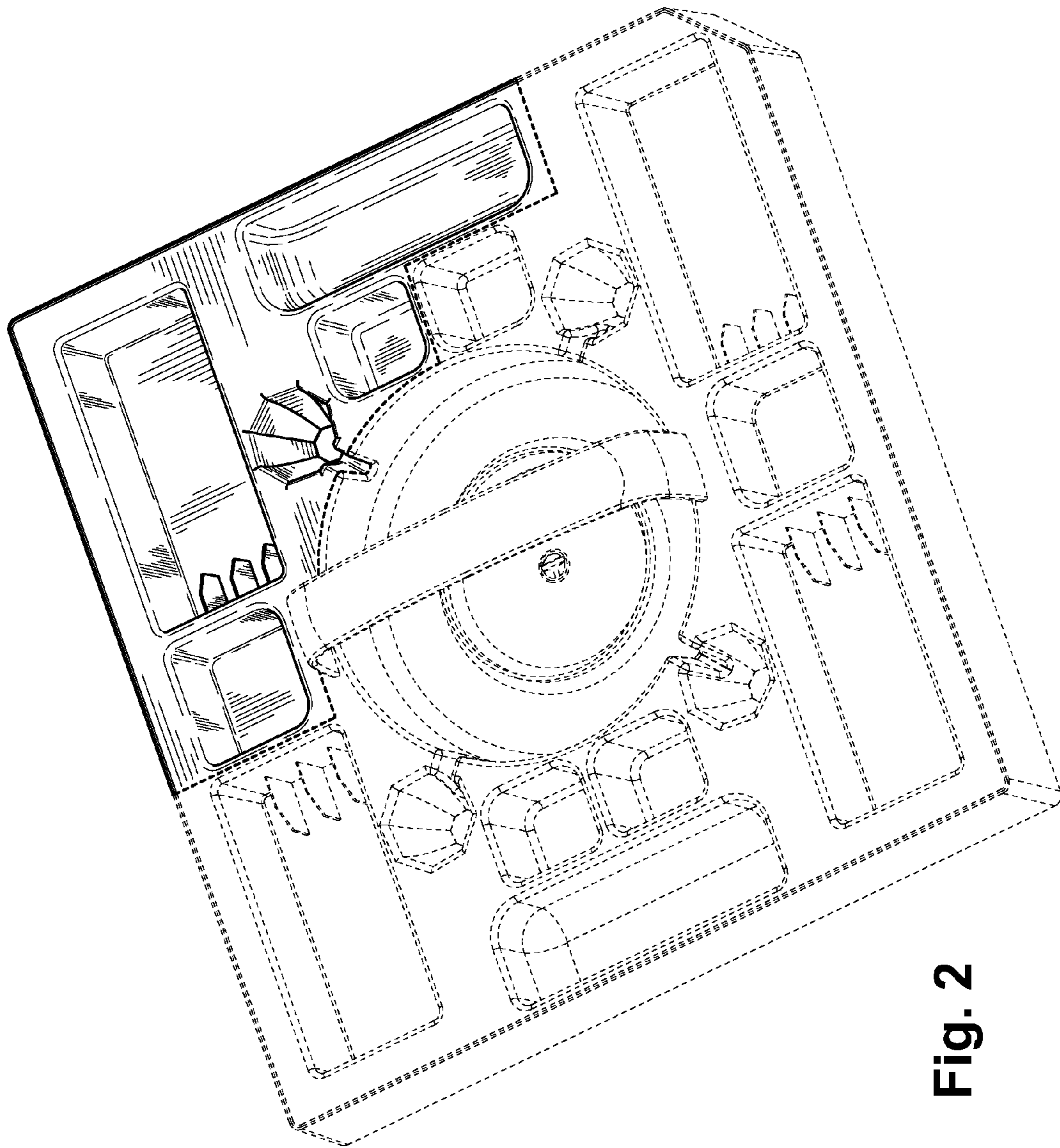


Fig. 2

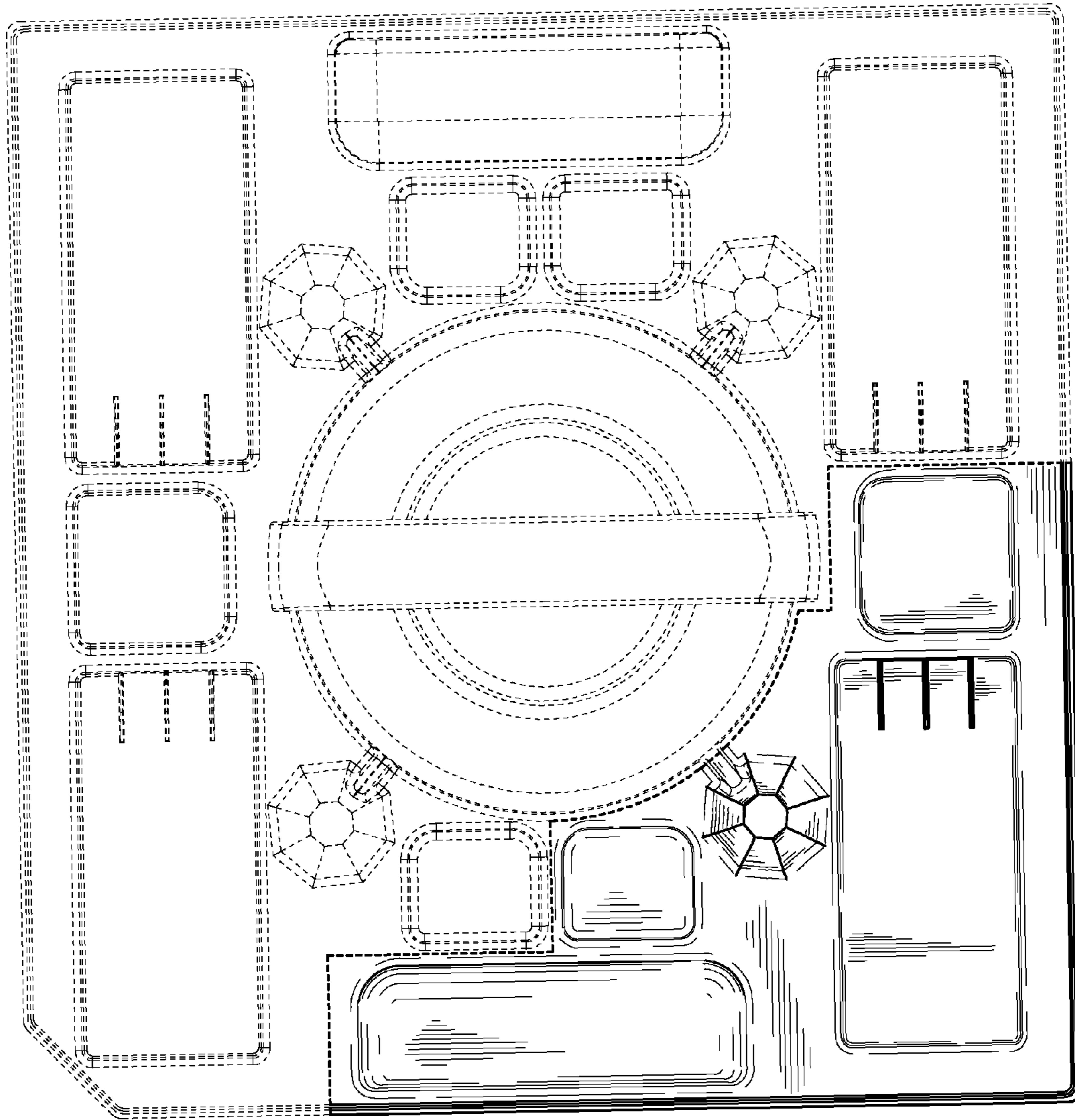


Fig. 3

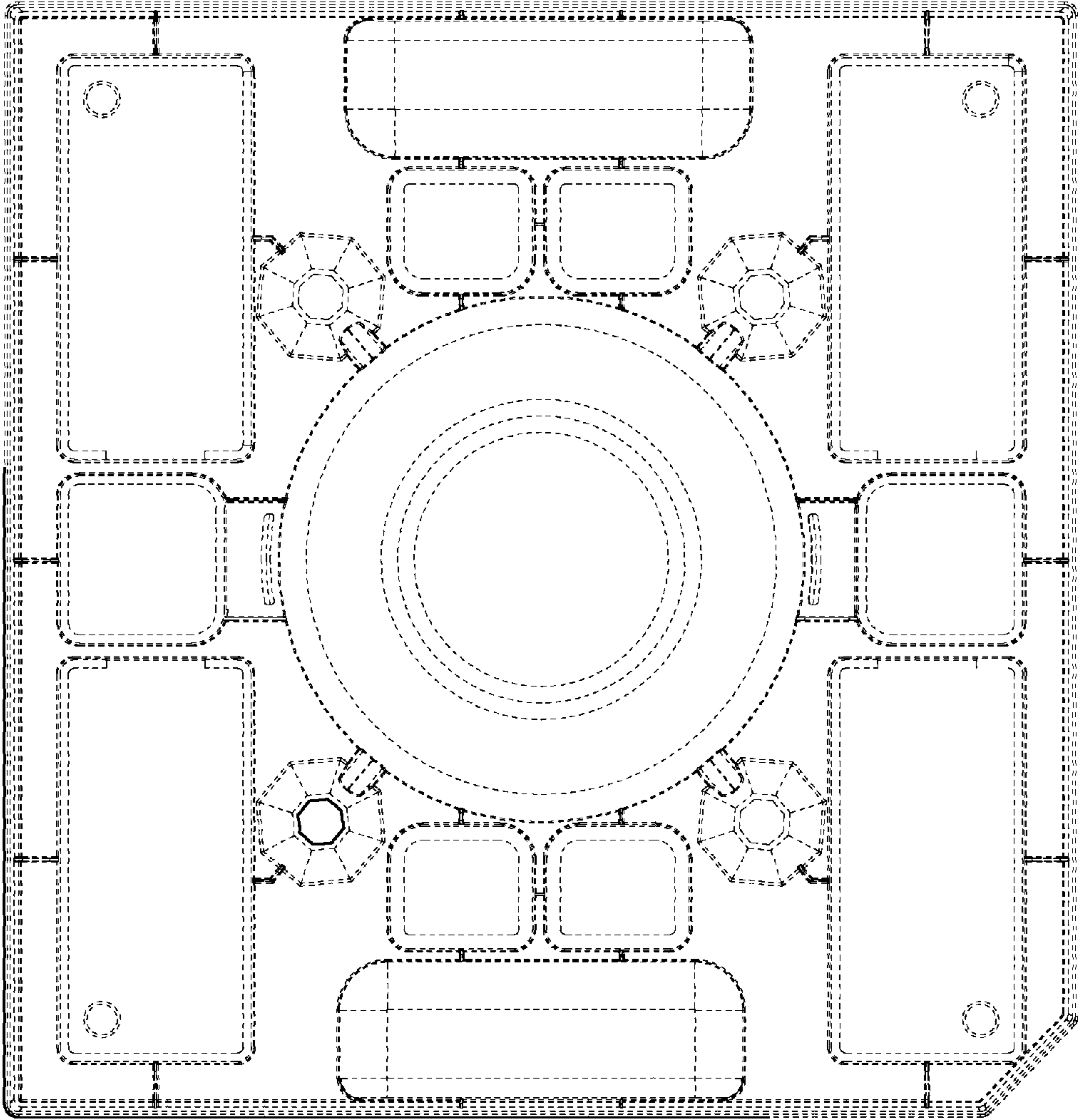


Fig. 4

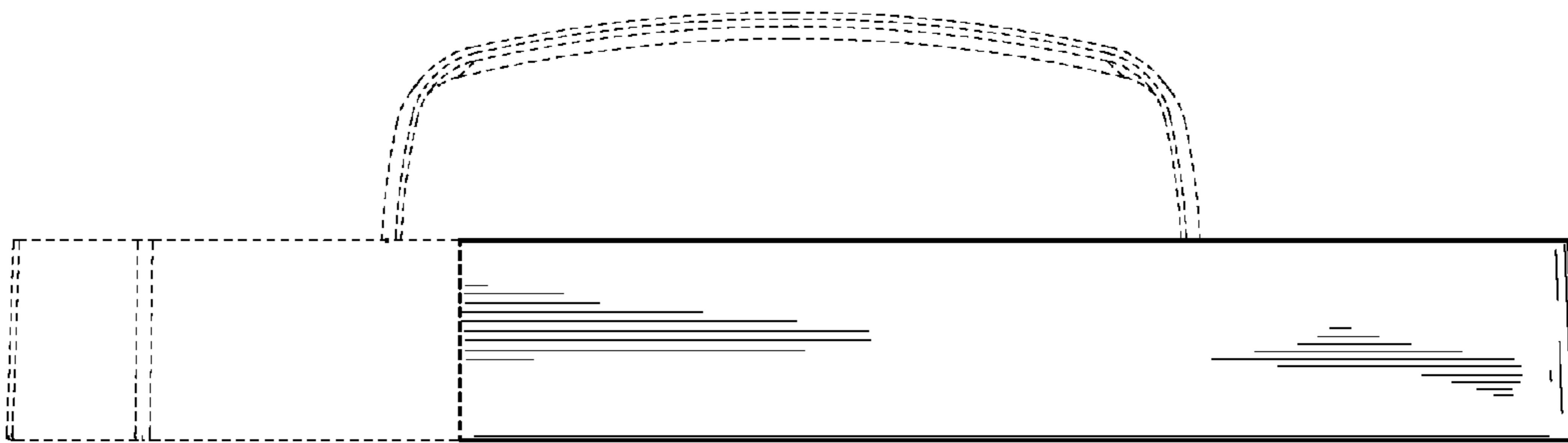


Fig. 5

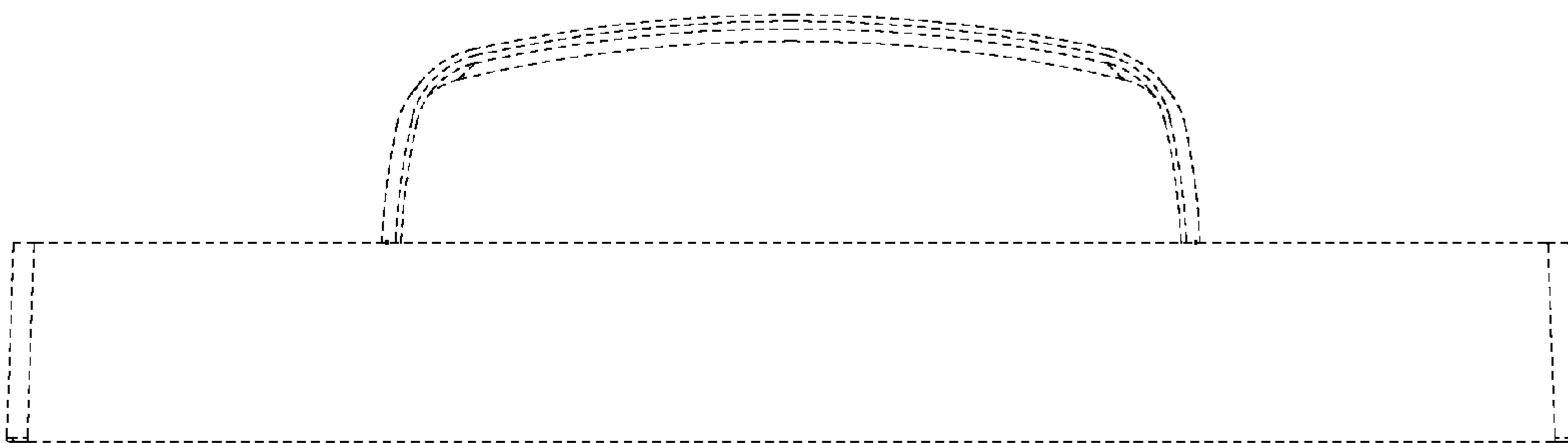


Fig. 6

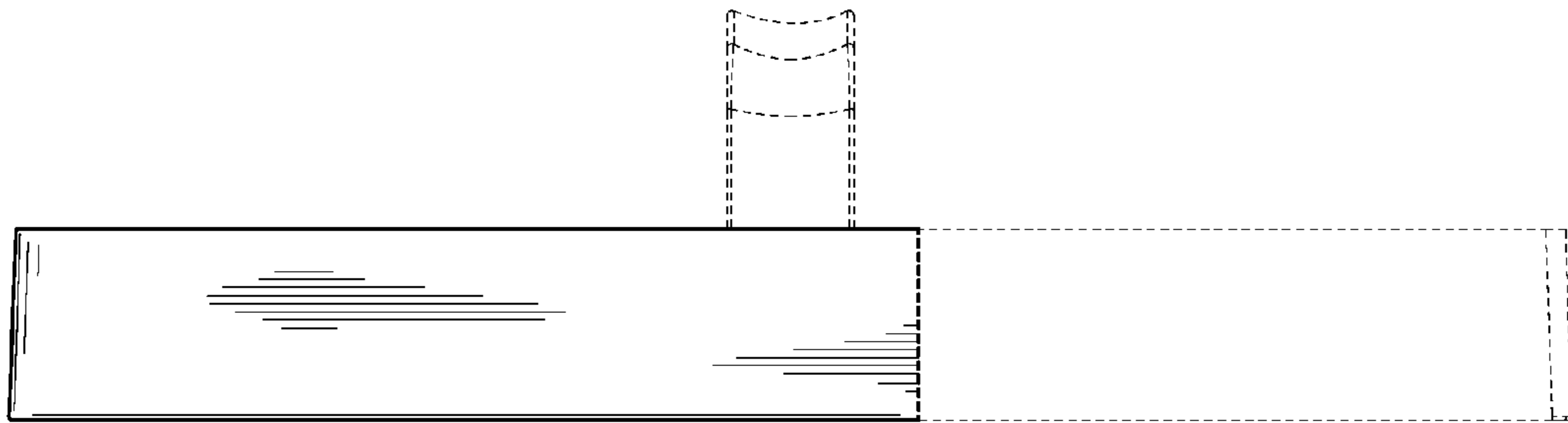


Fig. 7

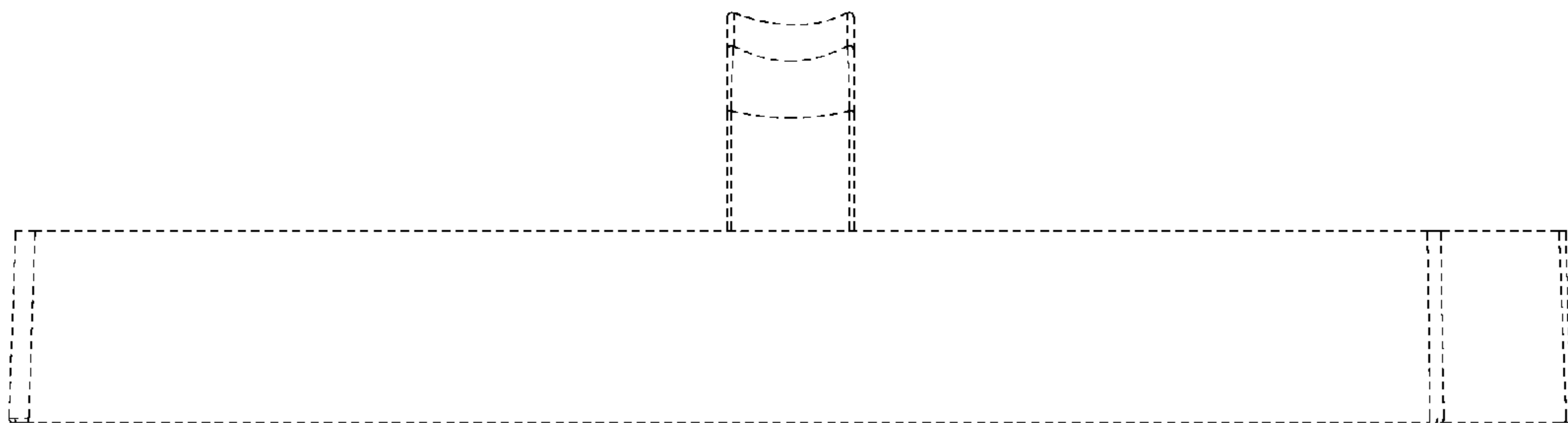


Fig. 8