



US00D628817S

(12) **United States Design Patent**  
**Song et al.**

(10) **Patent No.:** **US D628,817 S**  
(45) **Date of Patent:** **\*\* Dec. 14, 2010**

(54) **HANGER**

(75) Inventors: **Seung Hyun Song**, Seoul (KR); **Ki Hyuk Kim**, Incheon (KR); **Eun Young Jee**, Seoul (KR); **Min Jung You**, Seoul (KR)

(73) Assignee: **LG Electronics Inc.**, Seoul (KR)

(\*\*) Term: **14 Years**

(21) Appl. No.: **29/359,210**

(22) Filed: **Apr. 7, 2010**

(30) **Foreign Application Priority Data**

Dec. 11, 2009 (KR) ..... 30-2009-0054647

(51) **LOC (9) Cl.** ..... **06-08**

(52) **U.S. Cl.** ..... **D6/326**

(58) **Field of Classification Search** ..... D6/315,  
D6/326, 328; 223/85-98; 211/1, 13.1, 85.3,  
211/113

See application file for complete search history.

(56) **References Cited**

**U.S. PATENT DOCUMENTS**

2,200,669 A \* 5/1940 Cook ..... 223/96

2,656,079 A \* 10/1953 Helwig ..... 223/96  
D279,527 S \* 7/1985 Peterson ..... D6/326  
4,609,132 A \* 9/1986 Brokenshire ..... 223/96  
D323,247 S \* 1/1992 Chen ..... D6/326  
D442,372 S \* 5/2001 Ling et al. .... D6/326

\* cited by examiner

*Primary Examiner*—Shanda C Hill

(74) *Attorney, Agent, or Firm*—Birch, Stewart, Kolasch & Birch, LLP

(57) **CLAIM**

We claim the ornamental design for a hanger, as shown and described.

**DESCRIPTION**

FIG. 1 is a perspective view of a hanger showing our new design:

FIG. 2 is a front elevation view thereof;

FIG. 3 is a rear elevation view thereof;

FIG. 4 is a left-side elevation view thereof;

FIG. 5 is a right-side elevation view thereof;

FIG. 6 is a top plan view thereof; and,

FIG. 7 is a bottom plan view thereof.

**1 Claim, 4 Drawing Sheets**

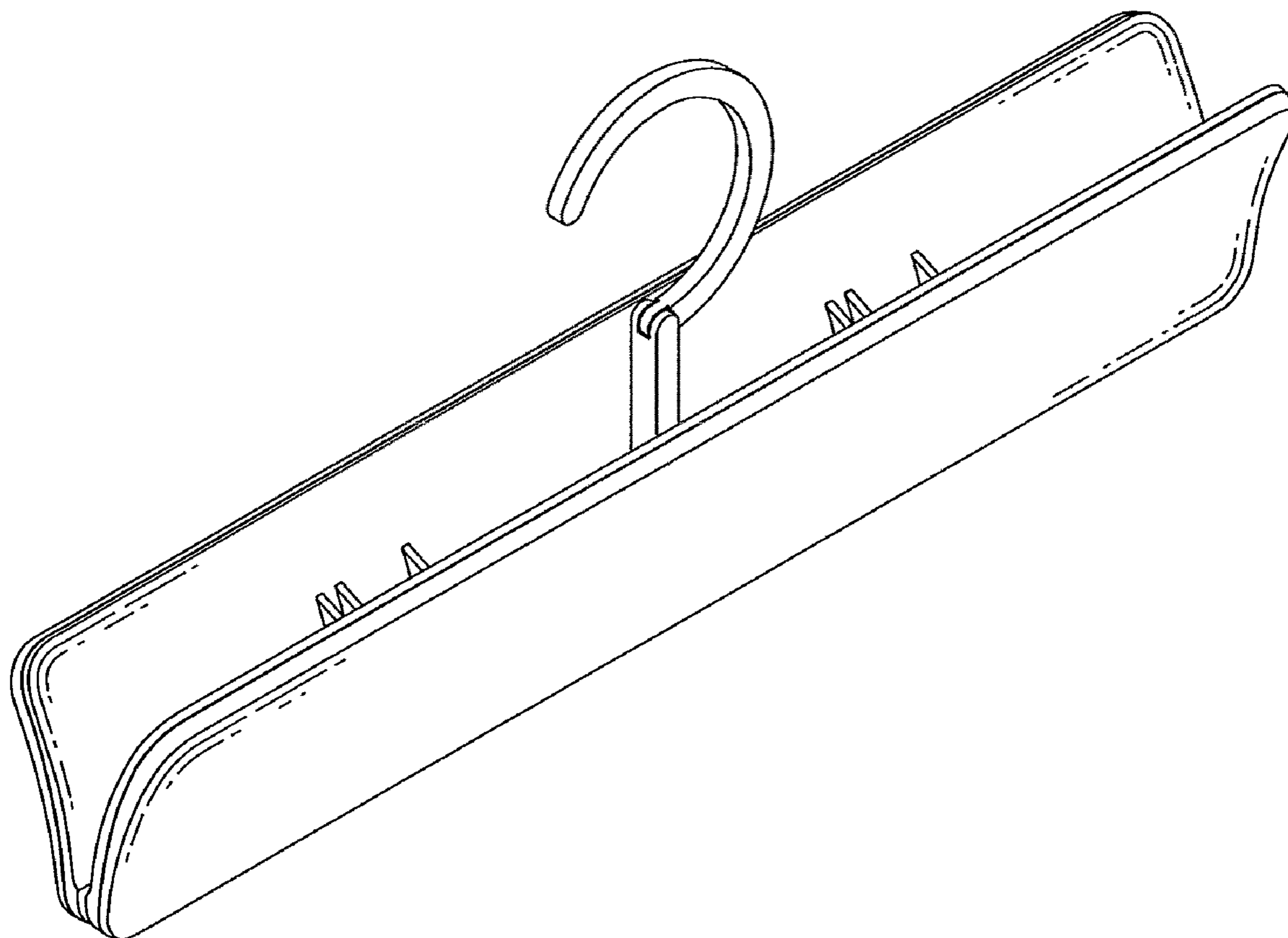


FIG. 1

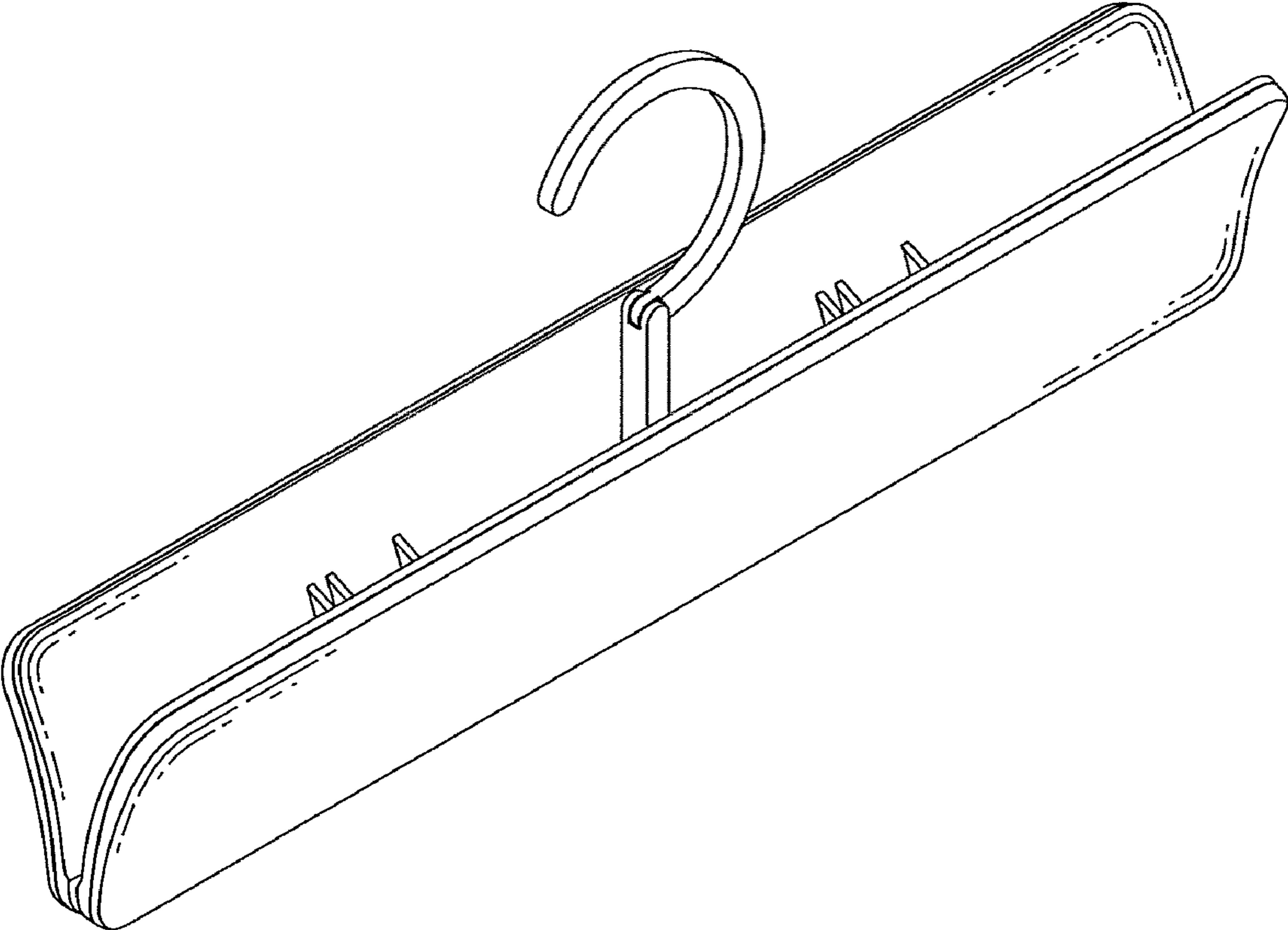


FIG. 2

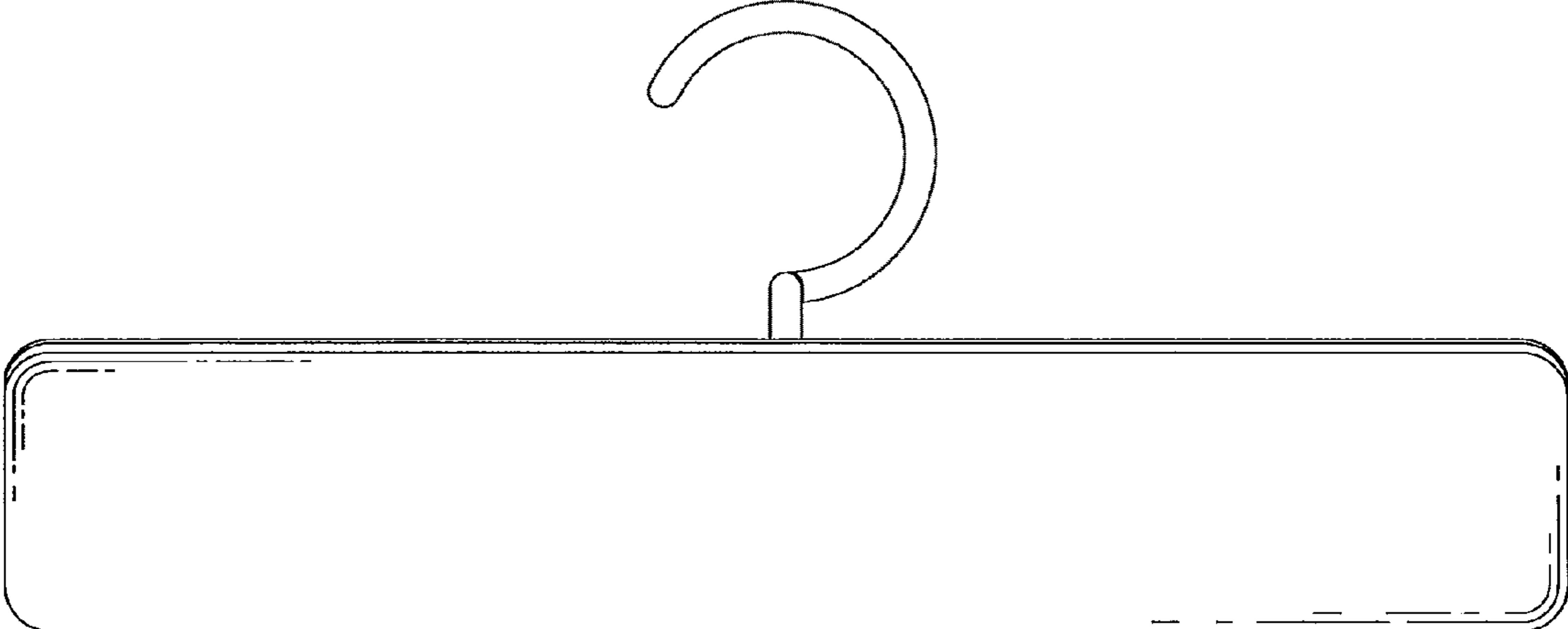


FIG. 3

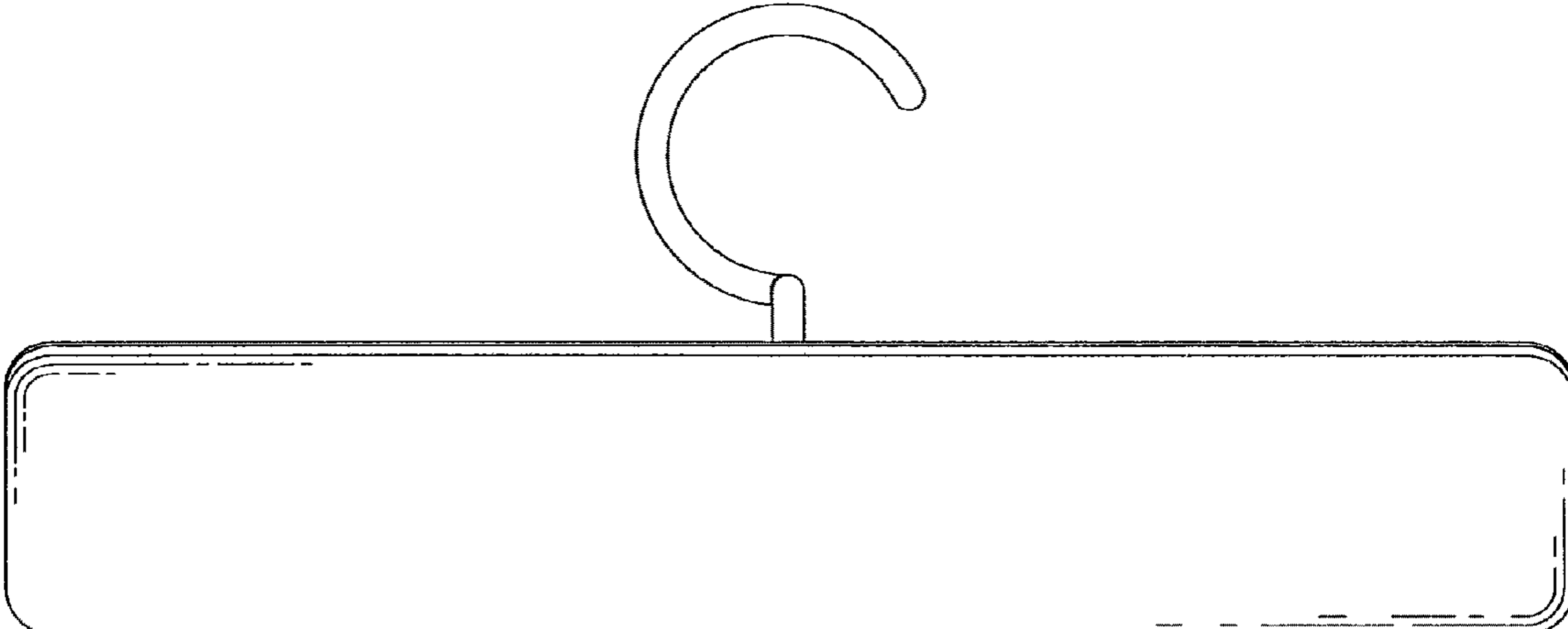


FIG. 4

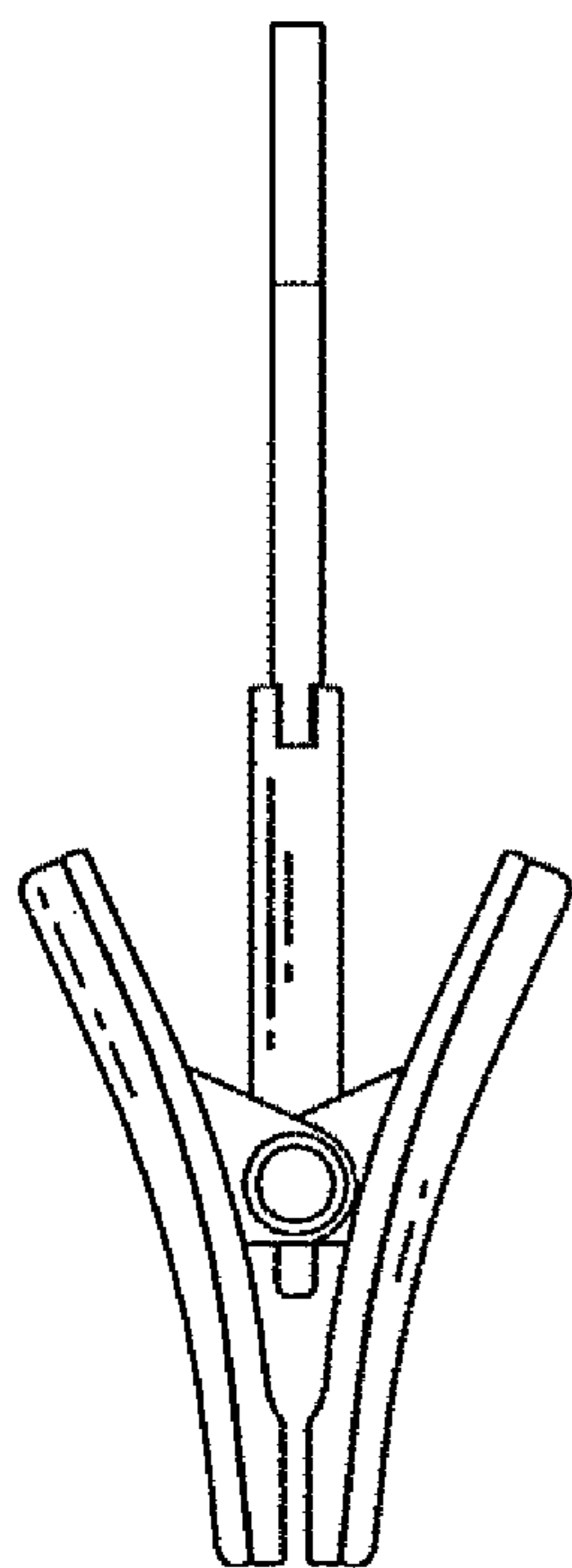


FIG. 5

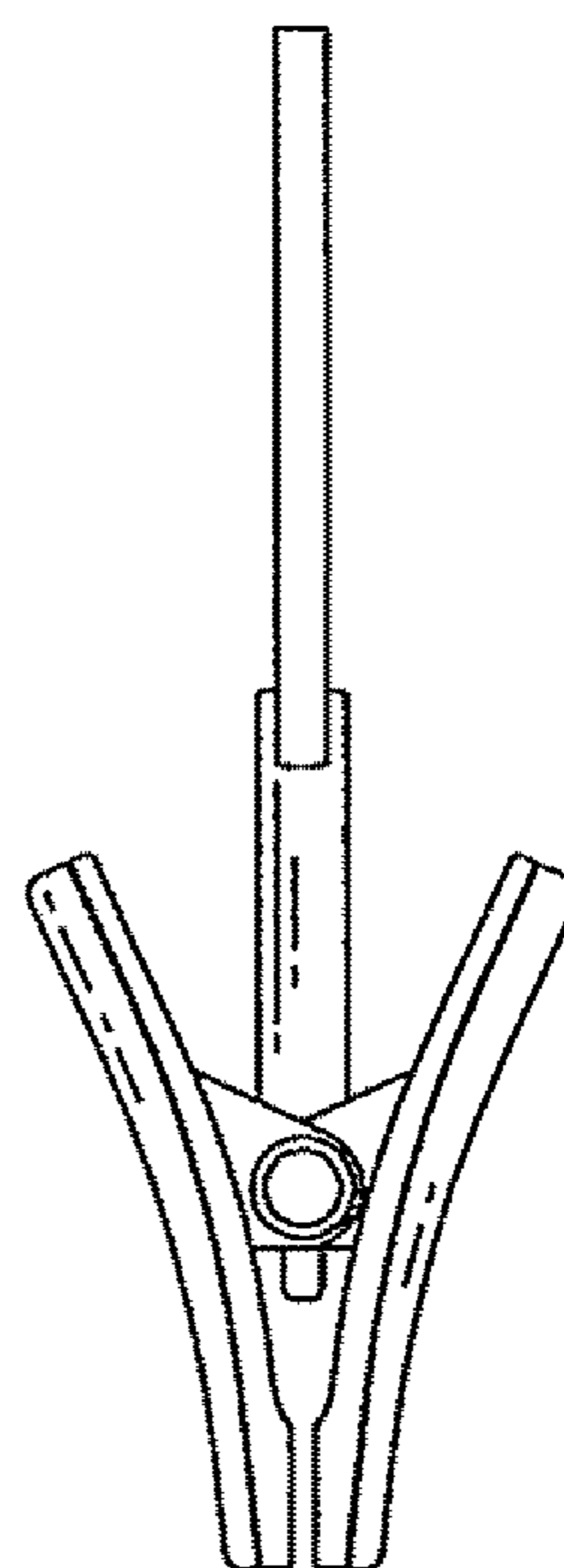


FIG. 6

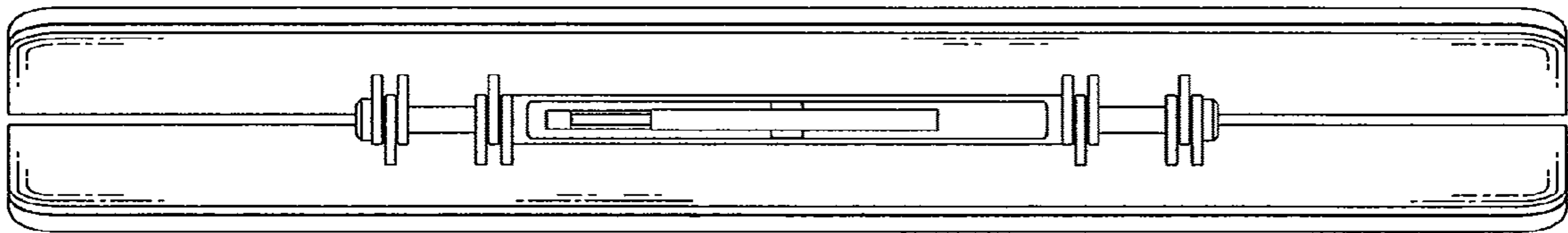


FIG. 7

