

US00D628810S

(12) **United States Design Patent**
Rieger

(10) **Patent No.:** **US D628,810 S**

(45) **Date of Patent:** **** Dec. 14, 2010**

(54) **COMBINED EYELASH SEPARATOR AND MASCARA APPLICATOR**

7,473,045 B2 * 1/2009 Dumler 401/18
D591,954 S * 5/2009 Kulik D4/136
D599,115 S * 9/2009 Berhault D4/128

(76) Inventor: **Janda C. Rieger**, 203 C Berringer Dr.,
Aiken, SC (US) 29803

* cited by examiner

(**) Term: **14 Years**

Primary Examiner—Jennifer Rivard

(74) *Attorney, Agent, or Firm*—Crossley Patent Law; Mark A. Crossley

(21) Appl. No.: **29/365,475**

(22) Filed: **Jul. 9, 2010**

(51) **LOC (9) Cl.** **04-01**

(52) **U.S. Cl.** **D4/119; D4/117**

(58) **Field of Classification Search** D4/116,
D4/117, 119, 127, 136; 401/18, 126–129;
132/218, 148; D28/76

See application file for complete search history.

(56) **References Cited**

U.S. PATENT DOCUMENTS

2,902,041	A	9/1959	Bau	
3,690,777	A	9/1972	Costa	
D247,076	S *	1/1978	MacCollum D4/119
D300,269	S *	3/1989	Cassai et al. D28/77
D332,700	S *	1/1993	Hill D4/117
D362,268	S *	9/1995	Williams et al. D4/136
6,612,764	B2	9/2003	Dumler et al.	
6,655,391	B2	12/2003	Sunago	
6,682,242	B1	1/2004	Montoli	
D504,570	S *	5/2005	Marleau D4/114

(57) **CLAIM**

The ornamental design for a combined eyelash separator and mascara applicator, as shown and described.

DESCRIPTION

FIG. 1 is a top plan view of a combined eyelash separator and mascara applicator showing my new design;

FIG. 2 is a bottom plan view thereof;

FIG. 3 is a right elevation view thereof, the opposite side being a mirror image of the shown;

FIG. 4 is a front elevation view thereof;

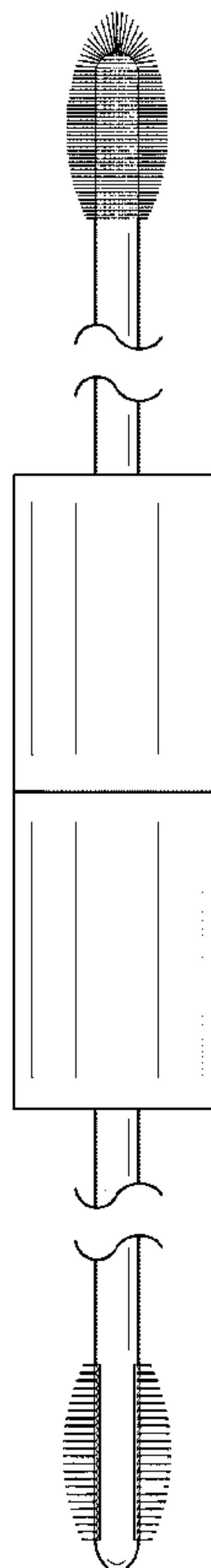
FIG. 5 is a rear elevation view thereof; and,

FIG. 6 is an isometric view thereof.

The broken lines in the drawings depict environmental subject matter only and form no part of the claimed design.

The claimed design is shown broken away and indicates no particular length.

1 Claim, 2 Drawing Sheets



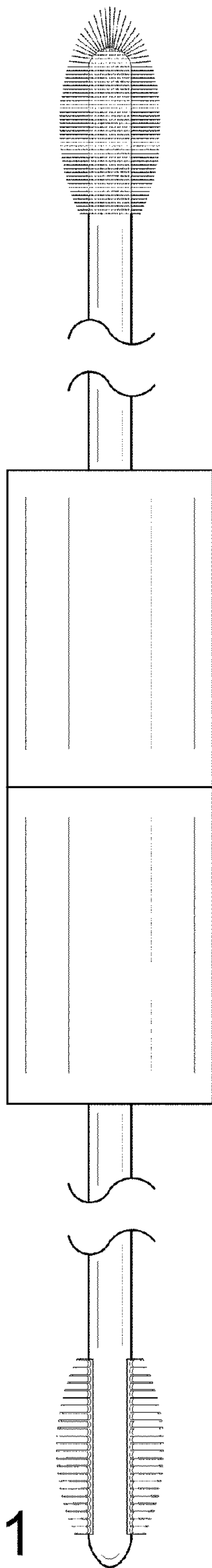


FIG. 1

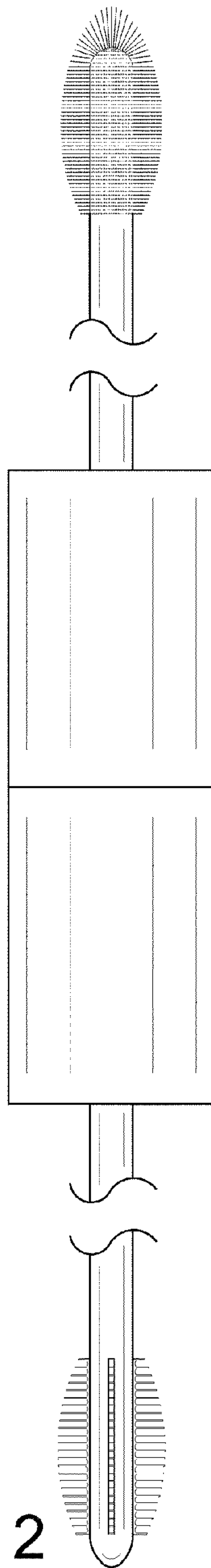


FIG. 2

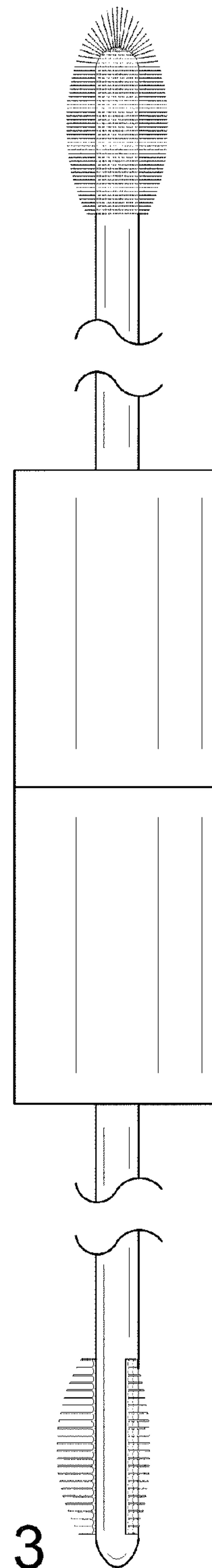


FIG. 3

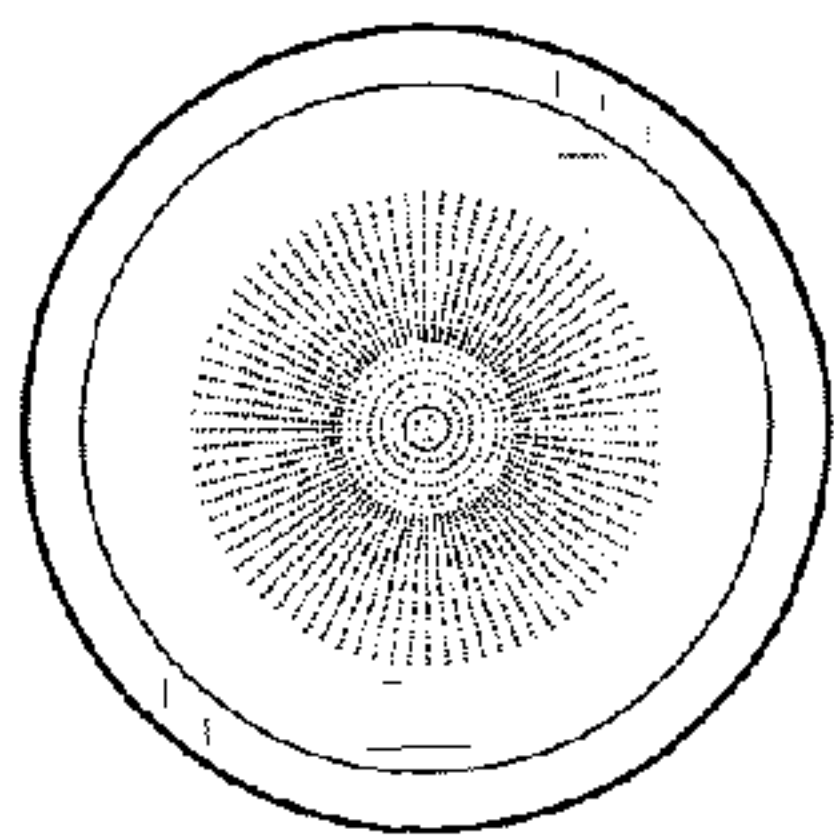


FIG. 4

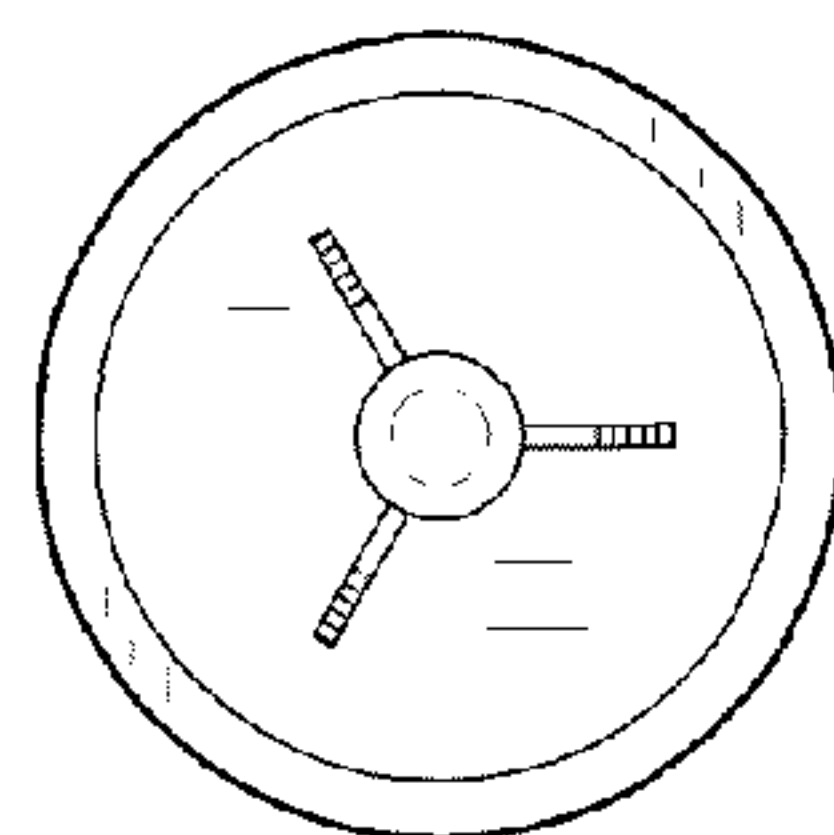


FIG. 5

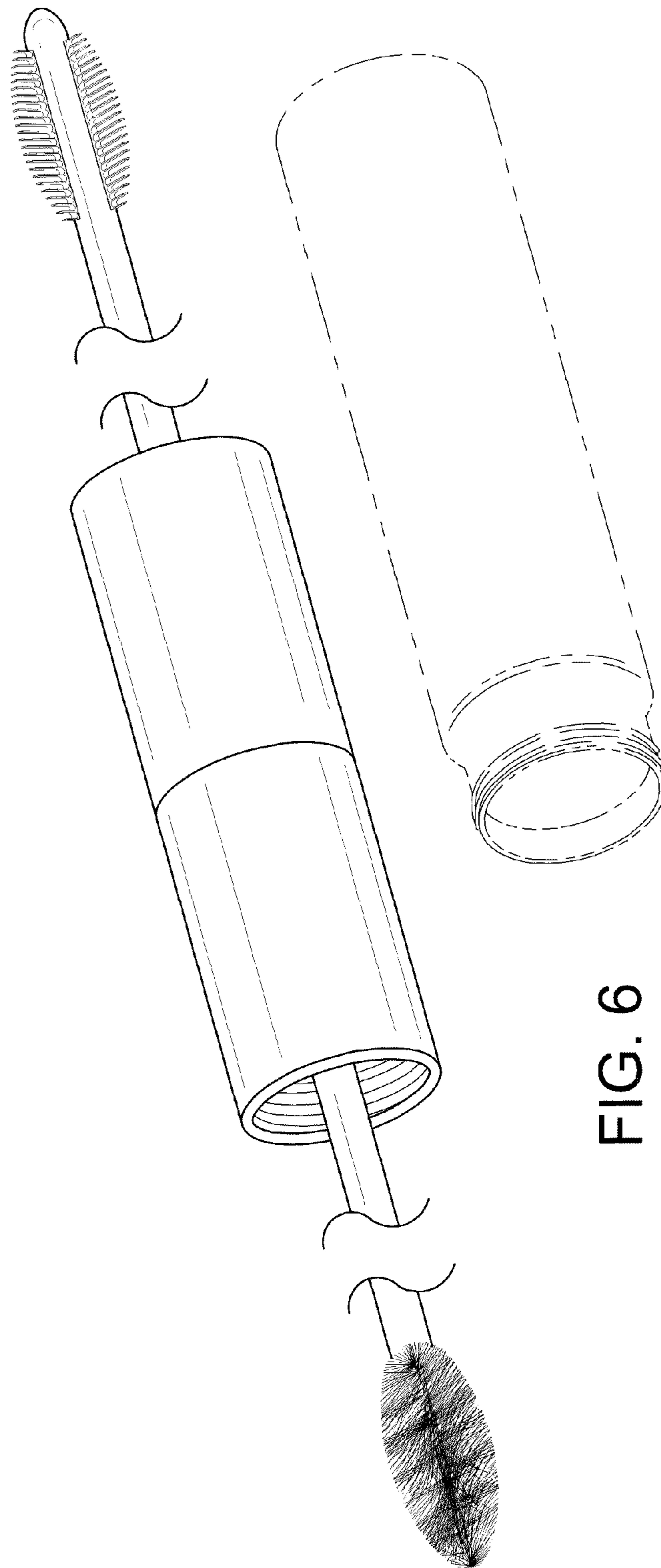


FIG. 6