



US00D628807S

(12) **United States Design Patent**
Vazquez

(10) **Patent No.:** **US D628,807 S**

(45) **Date of Patent:** **** Dec. 14, 2010**

(54) **TOOTHBRUSH WITH FLOSS DISPENSER
AND TONGUE CLEANER**

(76) Inventor: **Liced Vazquez**, 6720 NW. 174th Ter.,
Apartment 18C, Hialeah, FL (US) 33015

(**) Term: **14 Years**

(21) Appl. No.: **29/358,169**

(22) Filed: **Mar. 23, 2010**

(51) **LOC (9) Cl.** **04-02**

(52) **U.S. Cl.** **D4/106; D4/108**

(58) **Field of Classification Search** D4/101,
D4/104-112, 114, 120, 134, 136, 138; D24/152,
D24/154; D28/68; 15/110, 143.1, 167.1,
15/167.2; 132/308-311, 323; 601/139, 141
See application file for complete search history.

(56) **References Cited**

U.S. PATENT DOCUMENTS

- 3,337,893 A * 8/1967 Fine et al. 15/111
- D240,341 S * 6/1976 Najjar D4/108
- 4,887,621 A 12/1989 Vallieres
- 5,184,719 A * 2/1993 Gordon 206/209.1
- 5,373,602 A * 12/1994 Bang 15/167.1
- 5,676,167 A 10/1997 Garner
- D423,787 S * 5/2000 Musciano D4/108
- 6,554,522 B1 * 4/2003 Connelly et al. 401/272
- 6,766,807 B2 7/2004 Piccolo et al.
- D532,976 S * 12/2006 Medlin D4/108

- 7,201,172 B2 4/2007 Nanda
- 7,237,560 B2 7/2007 Macias et al.
- 7,310,846 B1 * 12/2007 Archibeque 15/106
- D599,557 S * 9/2009 Crossman D4/108
- 2008/0251097 A1 * 10/2008 Arreguin 132/309

FOREIGN PATENT DOCUMENTS

DE 2503861 A * 8/1976

* cited by examiner

Primary Examiner—Melanie H Tung

Assistant Examiner—Lavone D Tabor

(74) *Attorney, Agent, or Firm*—Crossley Patent Law; Mark A. Crossley

(57) **CLAIM**

The ornamental design for a toothbrush with floss dispenser and tongue cleaner, as shown and described.

DESCRIPTION

FIG. 1 is a right elevation view of a toothbrush with floss dispenser and tongue cleaner showing my new design, the opposite side being a mirror image of the shown;

FIG. 2 is a front elevation view thereof;

FIG. 3 is a rear elevation view thereof;

FIG. 4 is a top plan view thereof; and,

FIG. 5 is a bottom plan view thereof.

1 Claim, 2 Drawing Sheets





FIG. 1

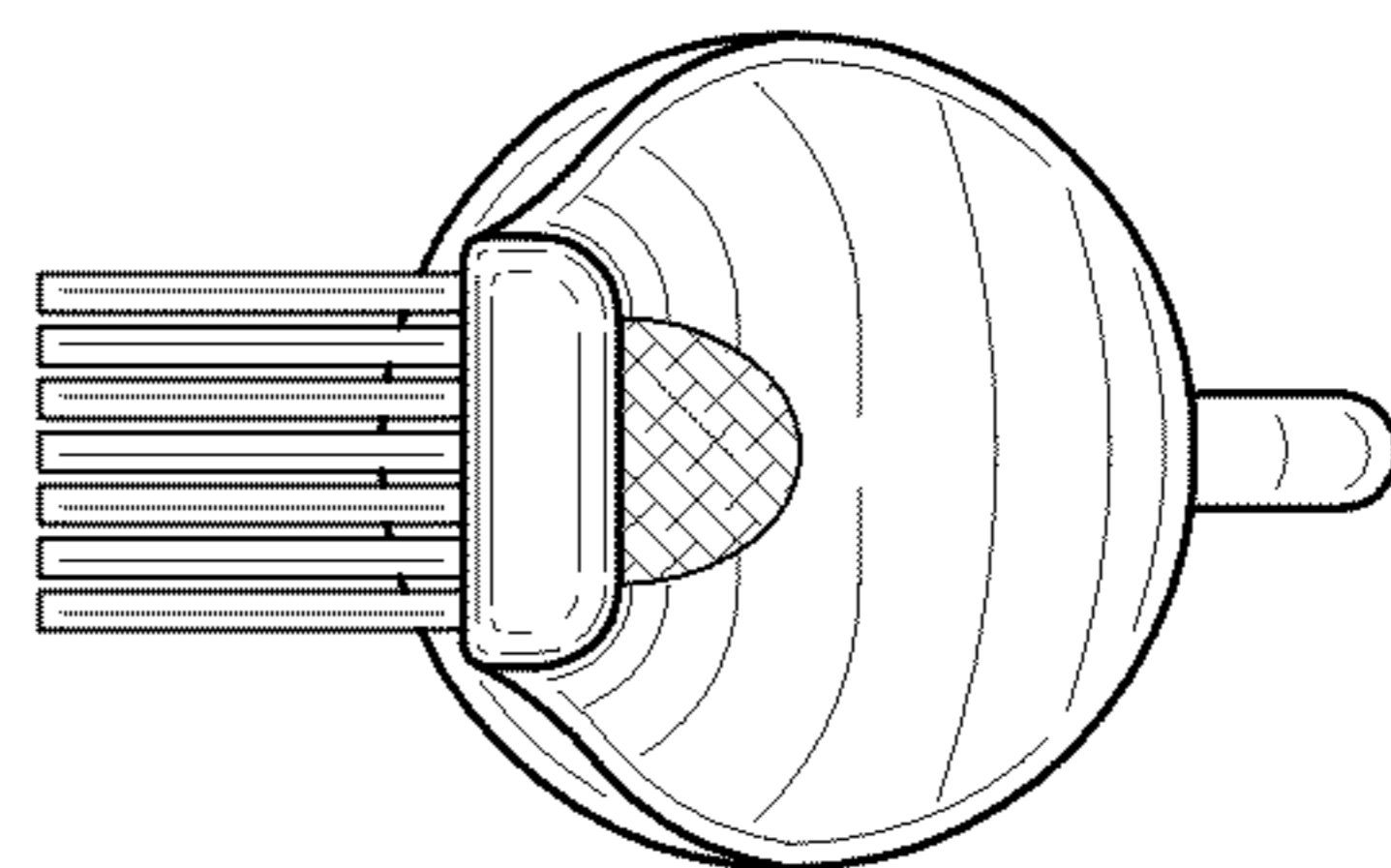


FIG. 2

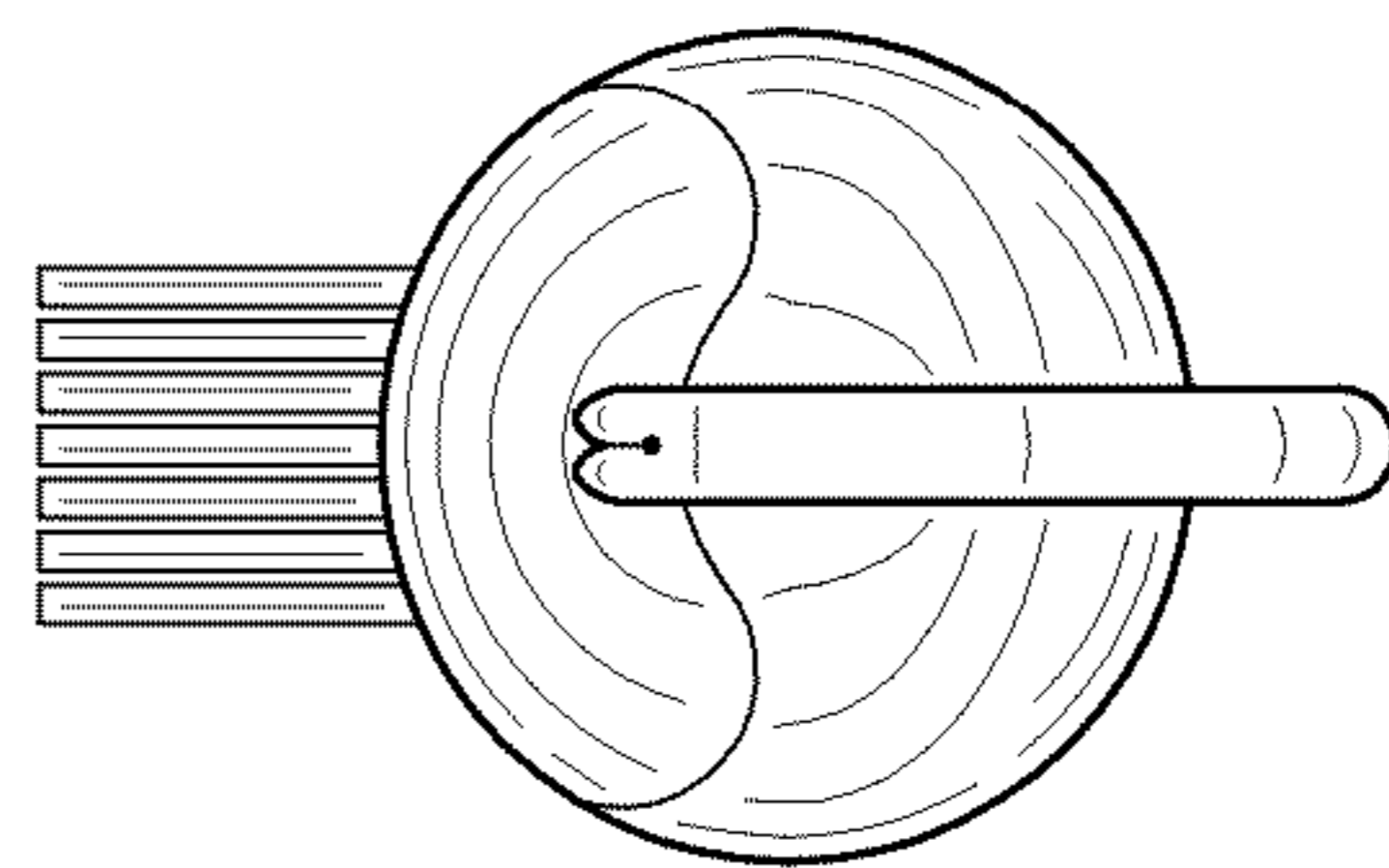


FIG. 3

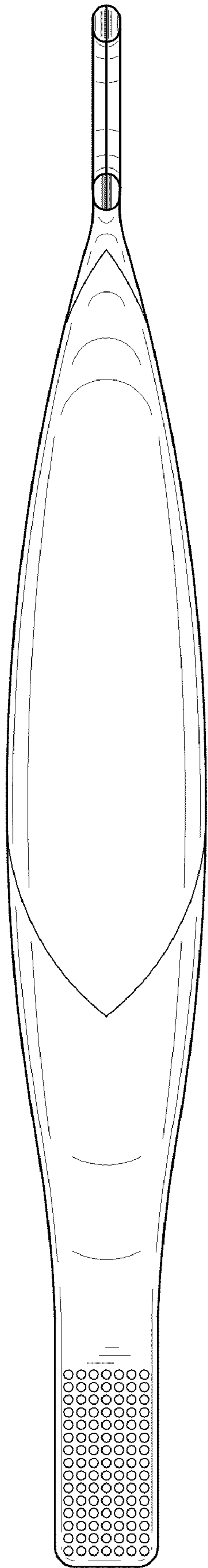


FIG. 4

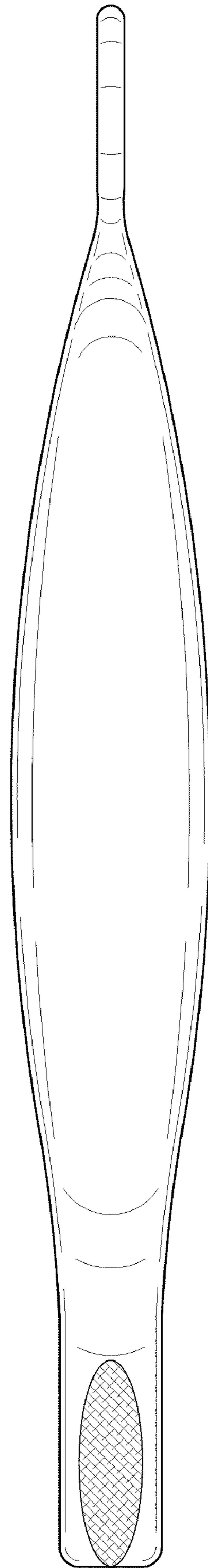


FIG. 5