



US00D628802S

(12) **United States Design Patent**
Kraemer

(10) **Patent No.:** **US D628,802 S**
(45) **Date of Patent:** **** Dec. 14, 2010**

(54) **PULL DRAWER ORGANIZER**

(75) Inventor: **Kevin Kraemer**, Cuyahoga Falls, OH (US)

(73) Assignee: **InterDesign, Inc.**, Solon, OH (US)

(**) Term: **14 Years**

(21) Appl. No.: **29/348,540**

(22) Filed: **Jan. 15, 2010**

(51) **LOC (9) Cl.** **03-01**

(52) **U.S. Cl.** **D3/318**

(58) **Field of Classification Search** D3/319,
D3/303, 313; 206/203, 214–215; D6/510
See application file for complete search history.

(56) **References Cited**

U.S. PATENT DOCUMENTS

D384,461 S *	9/1997	Kouvdos	D34/1
D530,516 S	10/2006	Snell		
D530,918 S	10/2006	Snell		
D530,919 S	10/2006	Snell		
D530,920 S	10/2006	Snell		
D530,921 S	10/2006	Snell		
D538,535 S *	3/2007	Boutin	D3/304
D547,064 S	7/2007	Snell		
D549,456 S	8/2007	Dretzka		
D549,457 S	8/2007	Dretzka		
D551,453 S	9/2007	Snell		
D555,904 S	11/2007	Snell		
D557,047 S	12/2007	Dretzka		
D563,673 S	3/2008	Dretzka		
D579,662 S	11/2008	Dretzka		

D616,721 S * 6/2010 Glass et al. D8/313

OTHER PUBLICATIONS

2007 InterDesign, Inc. product brochure, p. 61, 62, 63 w/front & back cover.

* cited by examiner

Primary Examiner—Holly H Baynham

(74) *Attorney, Agent, or Firm*—D. Peter Hochberg; Sean F. Mellino; Daniel J. Smola

(57) **CLAIM**

The ornamental design for a pull drawer organizer, as shown and described.

DESCRIPTION

FIG. 1 is a perspective view of the pull drawer organizer according to the invention;

FIG. 2 is a bottom perspective view of the pull drawer organizer as shown in FIG. 1;

FIG. 3 is a top view of the pull drawer organizer as shown in FIG. 1;

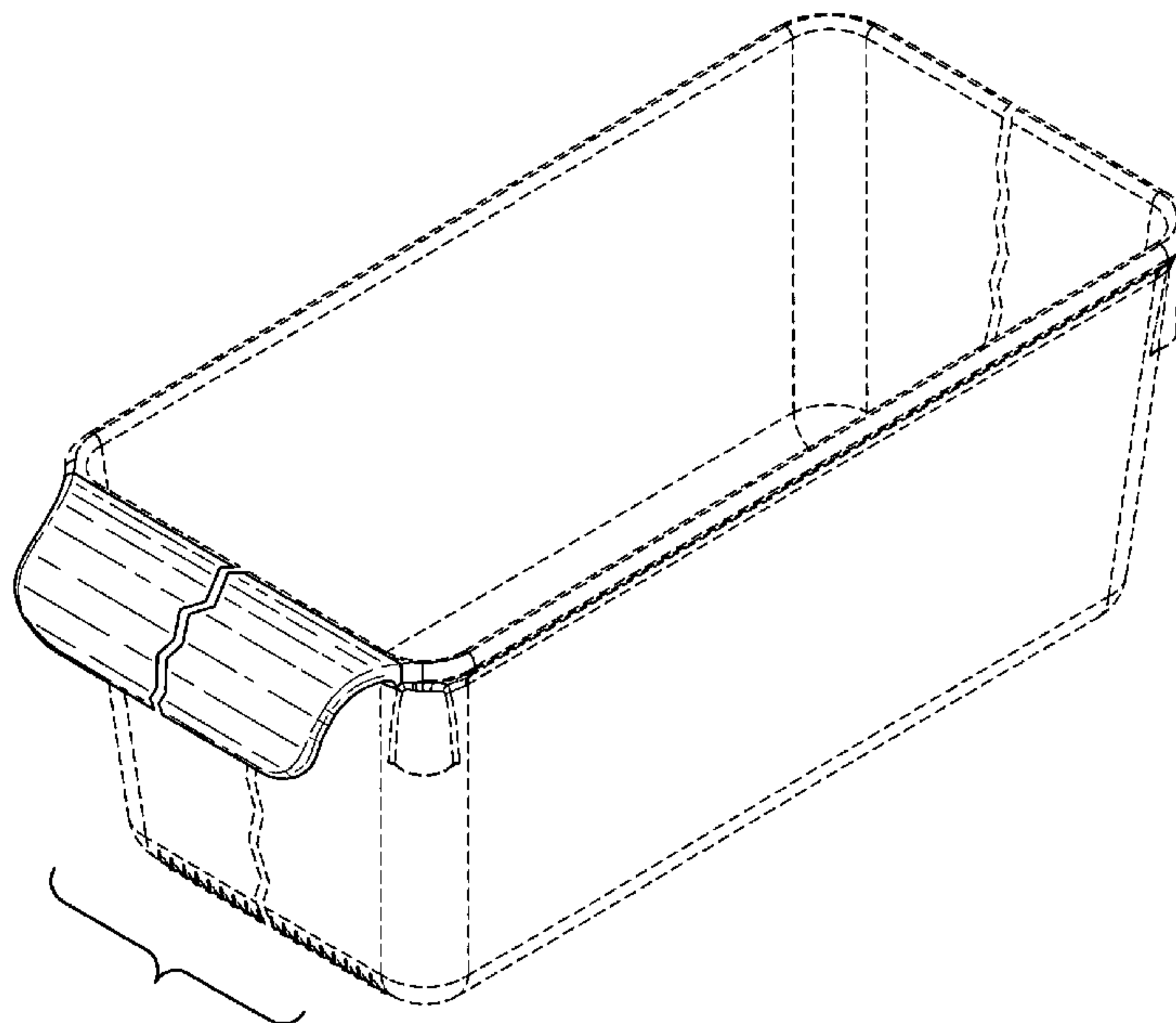
FIG. 4 is a front view of the pull drawer organizer as shown in FIG. 1;

FIG. 5 is a side view of the pull drawer organizer as shown in FIG. 1, which is identical to the other side view not shown; and,

FIG. 6 bottom view of the pull drawer organizer as shown in FIG. 1.

The broken lines shown in the figures are for illustrative purposes only and form no part of the claimed design. The article is shown broken away to indicate indeterminate length.

1 Claim, 5 Drawing Sheets



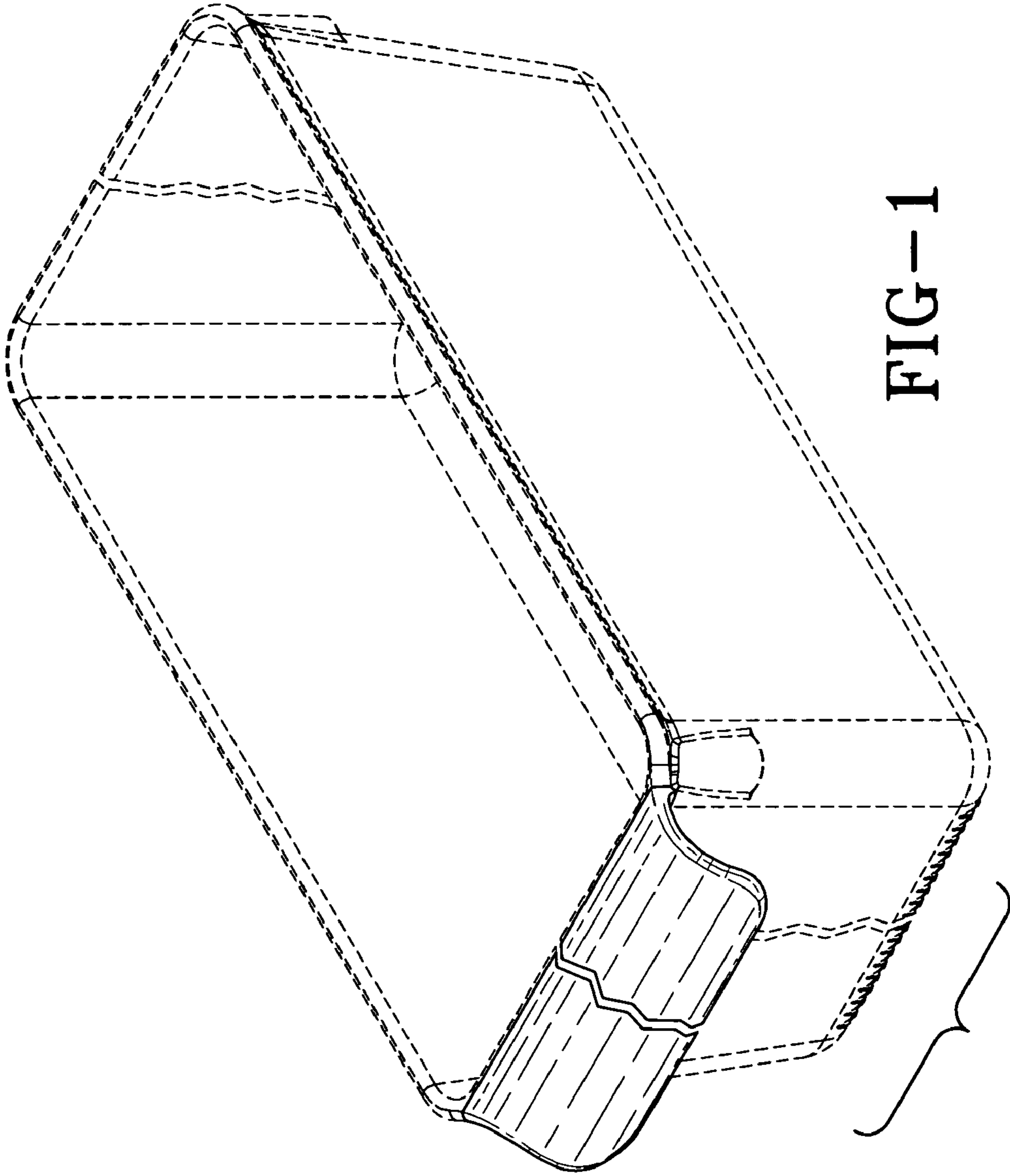


FIG-1

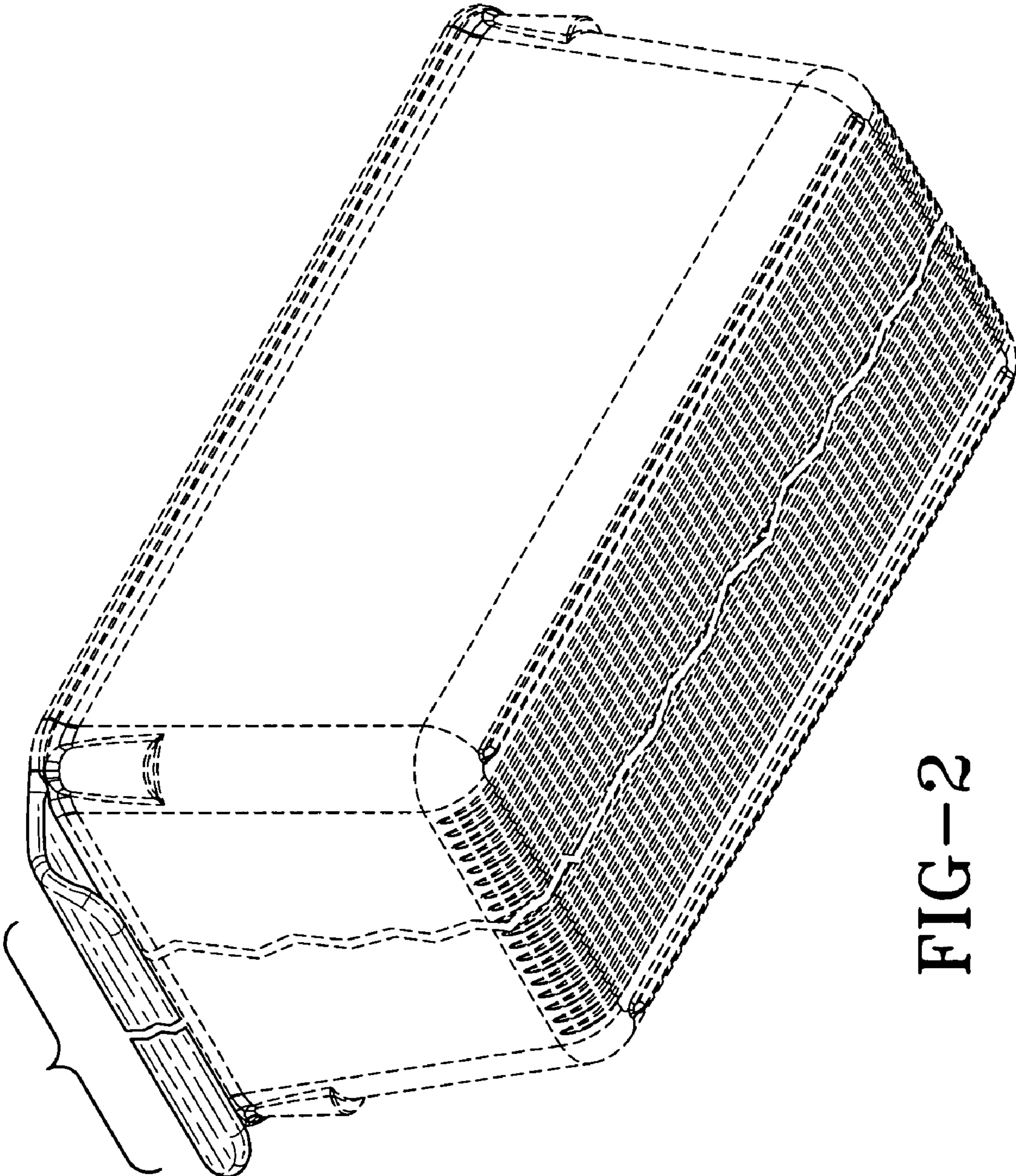


FIG-2

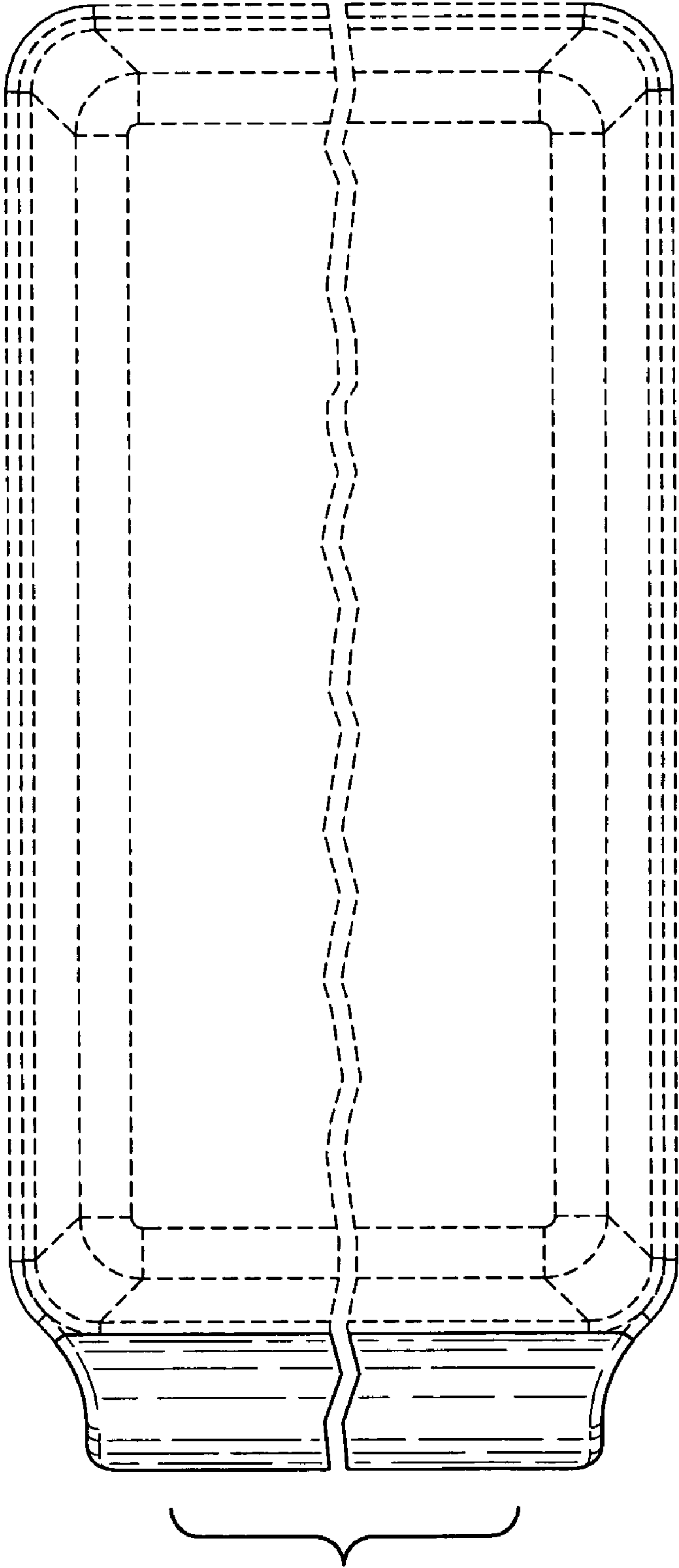


FIG-3

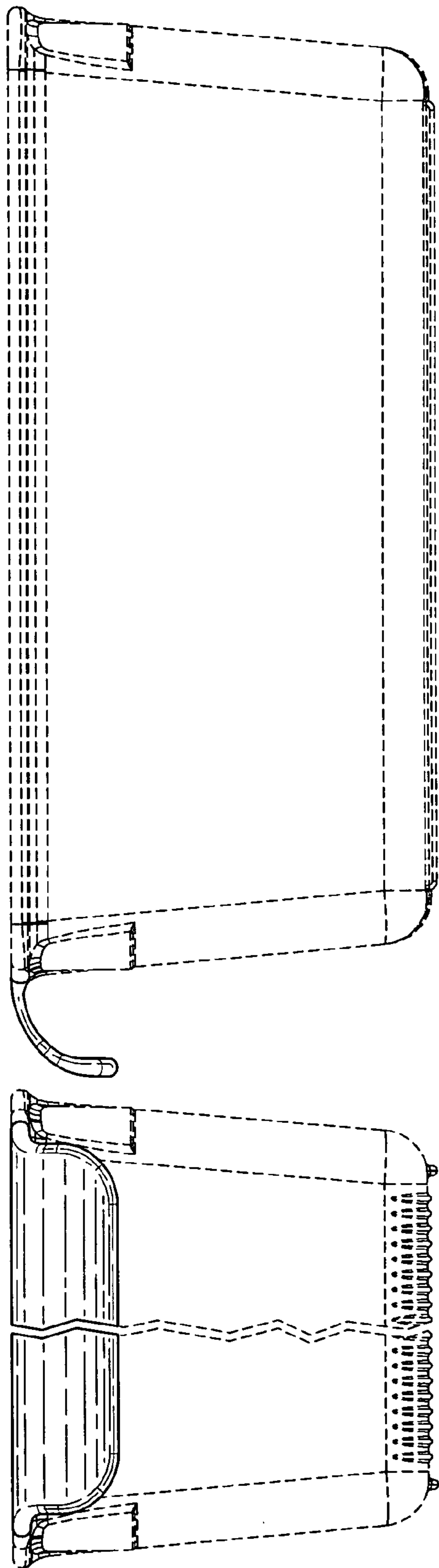


FIG-5

FIG-4

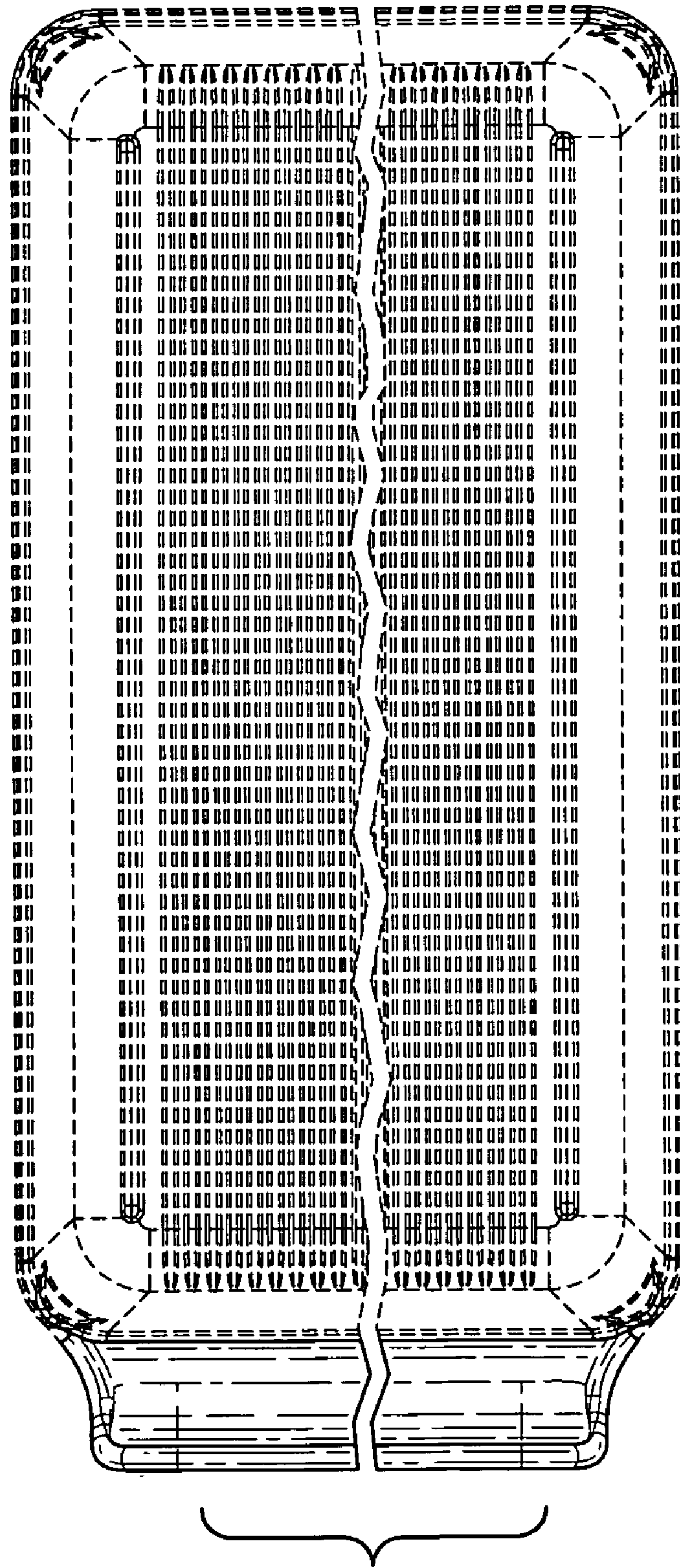


FIG-6