



US00D628799S

(12) **United States Design Patent**
Andre et al.

(10) **Patent No.:** **US D628,799 S**
(45) **Date of Patent:** **** Dec. 14, 2010**

(54) **COVER**

(75) Inventors: **Bartley K. Andre**, Menlo Park, CA (US); **Daniel J. Coster**, San Francisco, CA (US); **Daniele De Iuliis**, San Francisco, CA (US); **Richard P. Howarth**, San Francisco, CA (US); **Jonathan P. Ive**, San Francisco, CA (US); **Steve Jobs**, Palo Alto, CA (US); **Duncan Robert Kerr**, San Francisco, CA (US); **Shin Nishibori**, Portola Valley, CA (US); **Matthew Dean Rohrbach**, San Francisco, CA (US); **Peter Russell-Clarke**, San Francisco, CA (US); **Douglas B. Satzger**, Menlo Park, CA (US); **Calvin Q. Seid**, Palo Alto, CA (US); **Vincent Keane Seid**, legal representative, Los Gatos, CA (US); **Christopher J. Stringer**, Woodside, CA (US); **Eugene Antony Whang**, San Francisco, CA (US); **Rico Zorkendorfer**, San Francisco, CA (US)

(73) Assignee: **Apple Inc.**, Cupertino, CA (US)

(**) Term: **14 Years**

(21) Appl. No.: **29/352,199**

(22) Filed: **Dec. 17, 2009**

Related U.S. Application Data

(62) Division of application No. 29/284,329, filed on Sep. 5, 2007.

(51) **LOC (9) Cl.** **03-01**

(52) **U.S. Cl.** **D3/269**

(58) **Field of Classification Search** D3/201,
D3/215, 218, 269, 273, 294; D14/138 R,
D14/203.3, 217-218, 248, 250-253, 432,
D14/496, 511

See application file for complete search history.

(56) **References Cited**

U.S. PATENT DOCUMENTS

D39,344 S 6/1908 Schoettle

(Continued)

OTHER PUBLICATIONS

U.S. Appl. No. 29/282,425, entitled "Sleeve" filed Jul. 19, 2007.

Primary Examiner—Philip S Hyder

Assistant Examiner—Roselynn Cody

(74) *Attorney, Agent, or Firm*—Sterne, Kessler, Goldstein & Fox PLLC

(57) **CLAIM**

The ornamental design for a cover, as shown and described.

DESCRIPTION

FIG. 1 is a front perspective view of a cover showing our new design;

FIG. 2 is a front view thereof;

FIG. 3 is a rear view thereof;

FIG. 4 is a rear perspective view thereof;

FIG. 5 is a side view thereof;

FIG. 6 is a top plan view thereof;

FIG. 7 is a bottom plan view thereof;

FIG. 8 is a front perspective view of another embodiment of a cover showing our new design;

FIG. 9 is a front view thereof;

FIG. 10 is a rear view thereof;

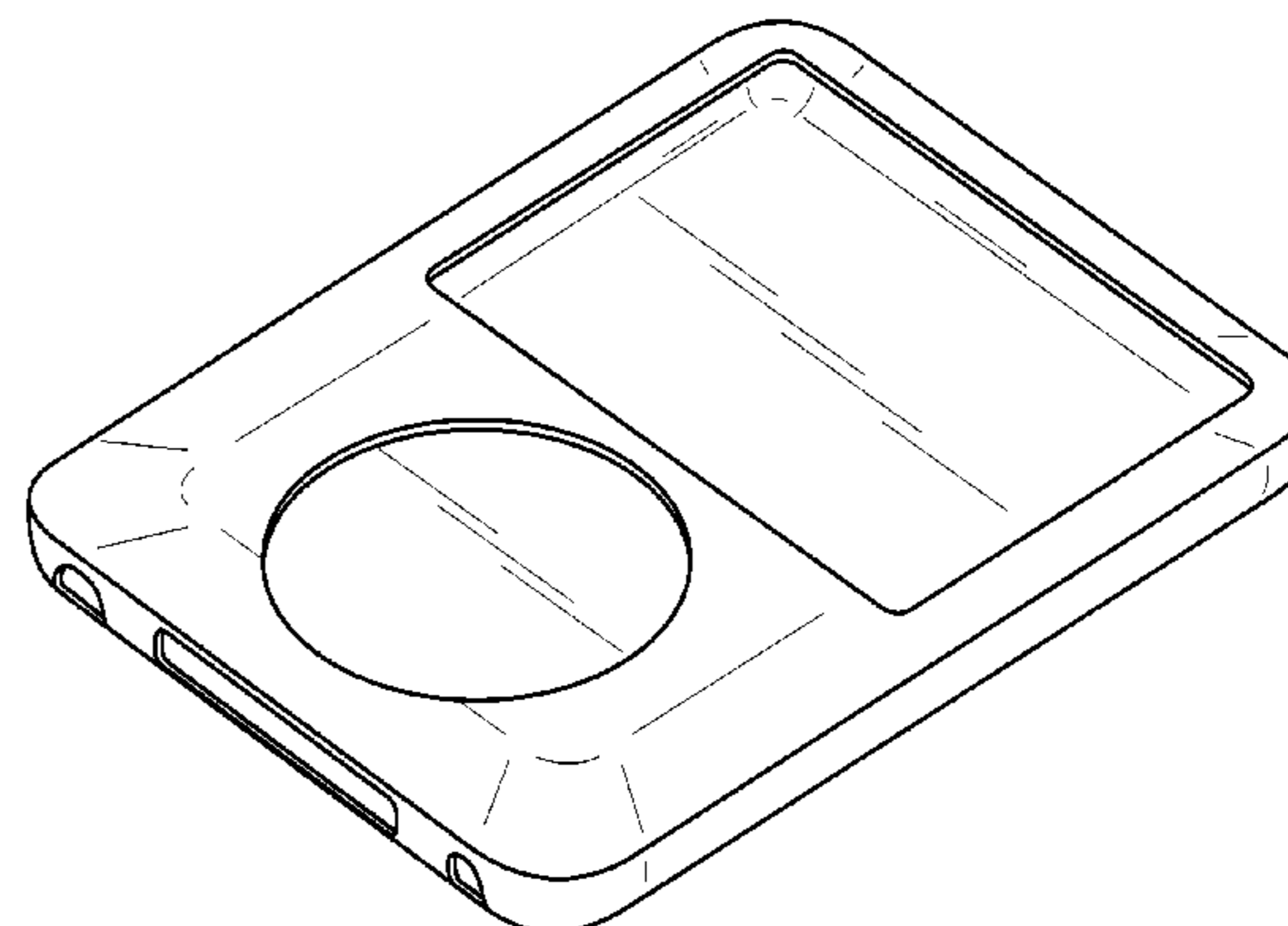
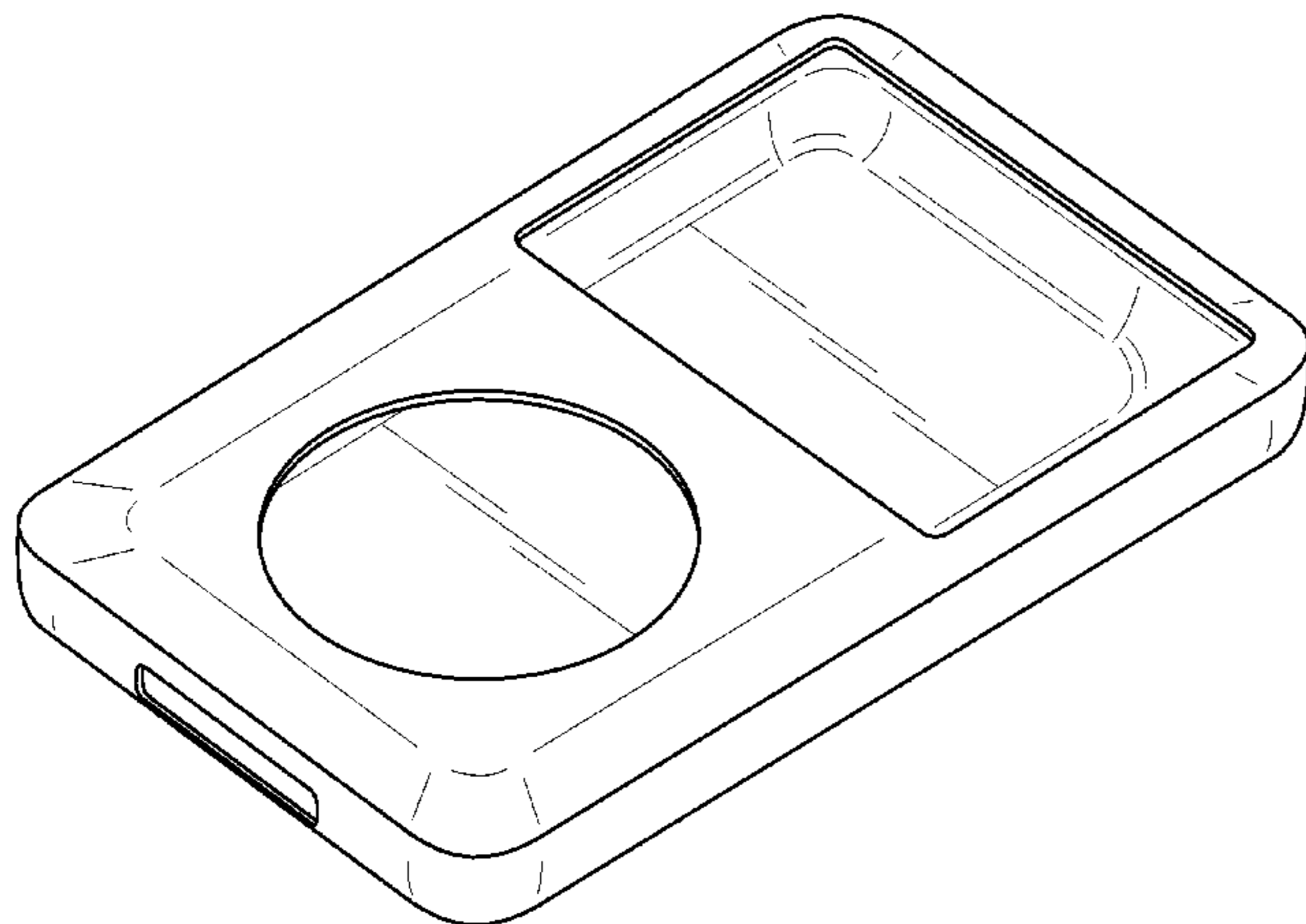
FIG. 11 is a rear perspective view thereof;

FIG. 12 is a side view thereof;

FIG. 13 is a top plan view thereof; and,

FIG. 14 is a bottom plan view thereof.

1 Claim, 8 Drawing Sheets



US D628,799 S

Page 2

U.S. PATENT DOCUMENTS

D47,574 S	7/1915	Warrem	D551,856 S	10/2007	Ko et al.
D346,275 S	4/1994	Hayasaka et al.	D553,852 S	10/2007	Brandenburg
D348,355 S	7/1994	Scheid et al.	D556,448 S	12/2007	Brandenburg
D351,280 S	10/1994	Pennington et al.	D556,681 S	12/2007	Kim
D357,577 S	4/1995	Scheid	D557,205 S	12/2007	Kim
D366,463 S	1/1996	Ive et al.	D557,494 S	12/2007	Mayette et al.
D369,465 S	5/1996	Scheid et al.	D557,495 S	12/2007	Chan et al.
D423,757 S	4/2000	Briggs	D558,972 S	1/2008	Oh
D475,850 S	6/2003	Andre et al.	D559,229 S	1/2008	Griffin et al.
D476,149 S	6/2003	Andre et al.	D559,230 S	1/2008	Griffin et al.
D503,532 S	4/2005	Andre et al.	D559,267 S	1/2008	Griffin
D519,275 S	4/2006	Shertzer	D559,529 S	1/2008	Griffin et al.
D521,232 S	5/2006	Andre et al.	D560,350 S	1/2008	Scapillato et al.
D526,780 S	8/2006	Richardson et al.	D566,383 S	4/2008	Harris et al.
D527,176 S	8/2006	Andre et al.	D566,962 S	4/2008	Griffin et al.
D530,079 S *	10/2006	Thomas et al. D14/203.3	D568,042 S	5/2008	Cerullo
D533,348 S	12/2006	Andre et al.	D568,605 S	5/2008	Harris et al.
D539,530 S	4/2007	Sanderson et al.	D570,101 S	6/2008	Harris et al.
D540,539 S	4/2007	Gutierrez	D570,102 S	6/2008	Harris et al.
D541,042 S	4/2007	Andre et al.	D570,103 S	6/2008	Harris et al.
D542,524 S	5/2007	Richardson et al.	D574,819 S	8/2008	Andre et al.
D547,056 S	7/2007	Griffin et al.	D581,155 S *	11/2008	Richardson et al. D3/218
D547,057 S	7/2007	Griffin et al.	D587,008 S *	2/2009	Richardson et al. D3/218
D551,252 S	9/2007	Andre et al.	D595,052 S	6/2009	Rohrbach et al.
D551,847 S	10/2007	Yeap et al.	D601,799 S	10/2009	Andre et al.
D551,855 S	10/2007	Yeh et al.	D606,751 S	12/2009	Andre et al.

* cited by examiner

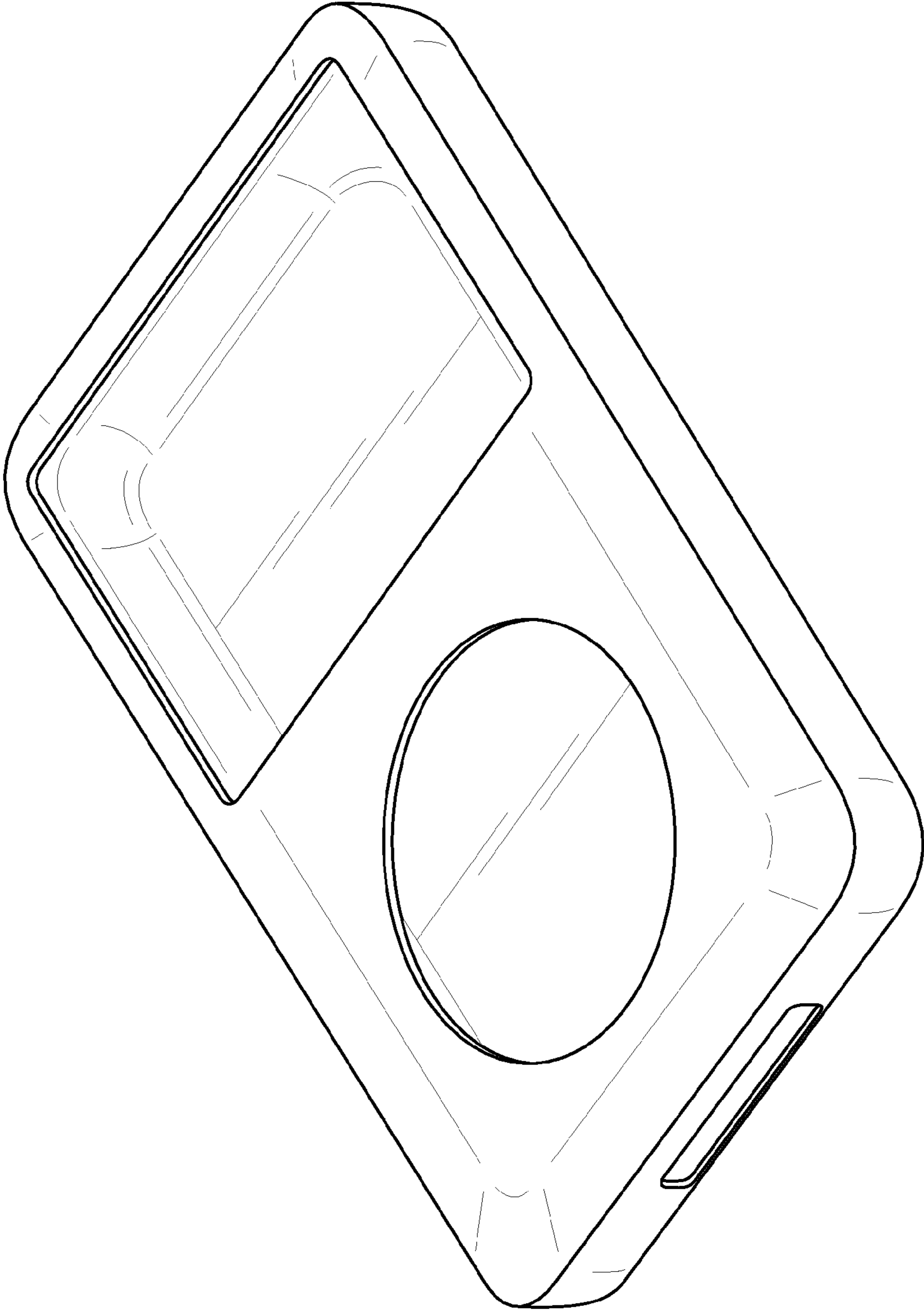


FIG. 1

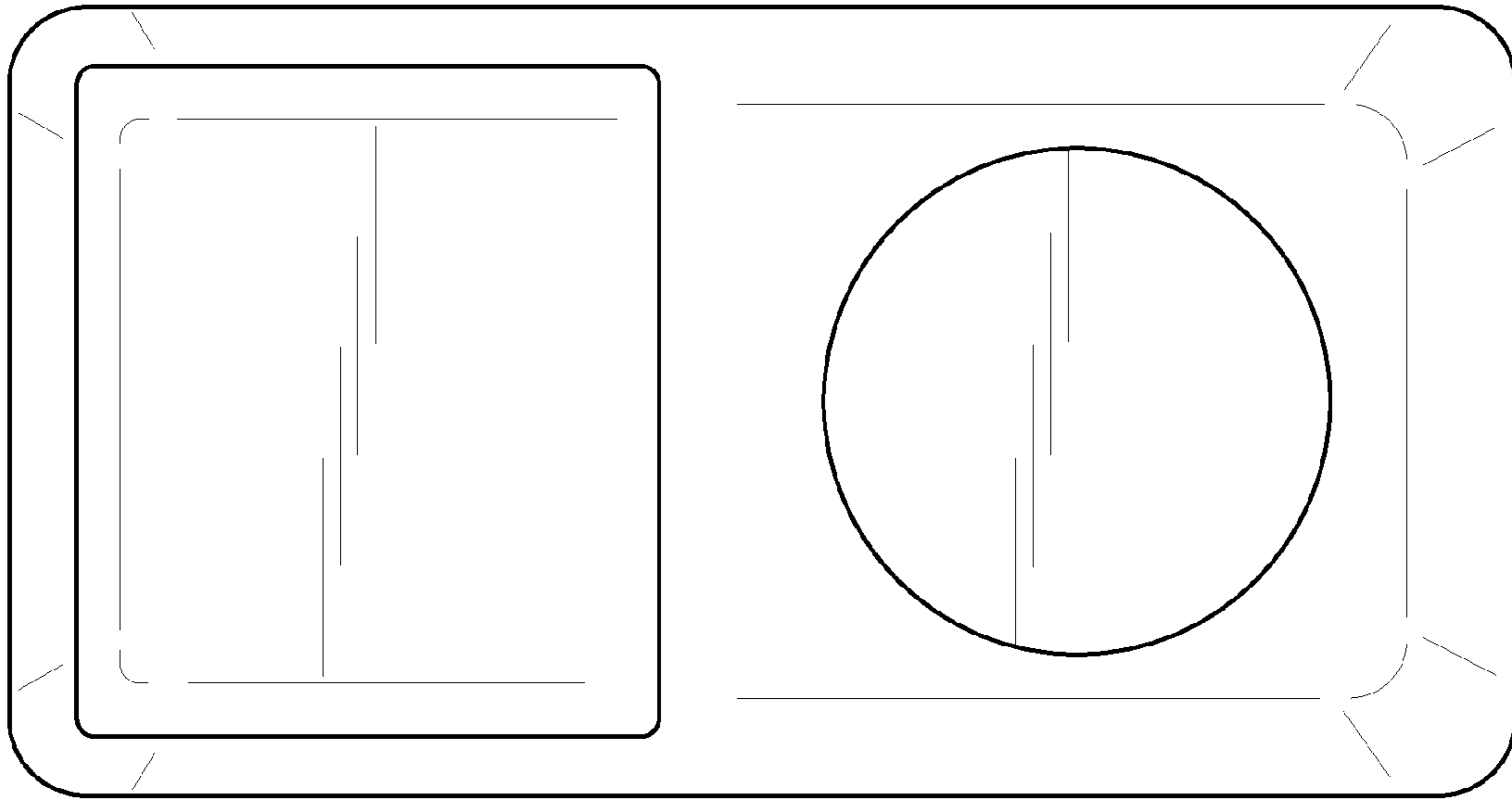


FIG. 2

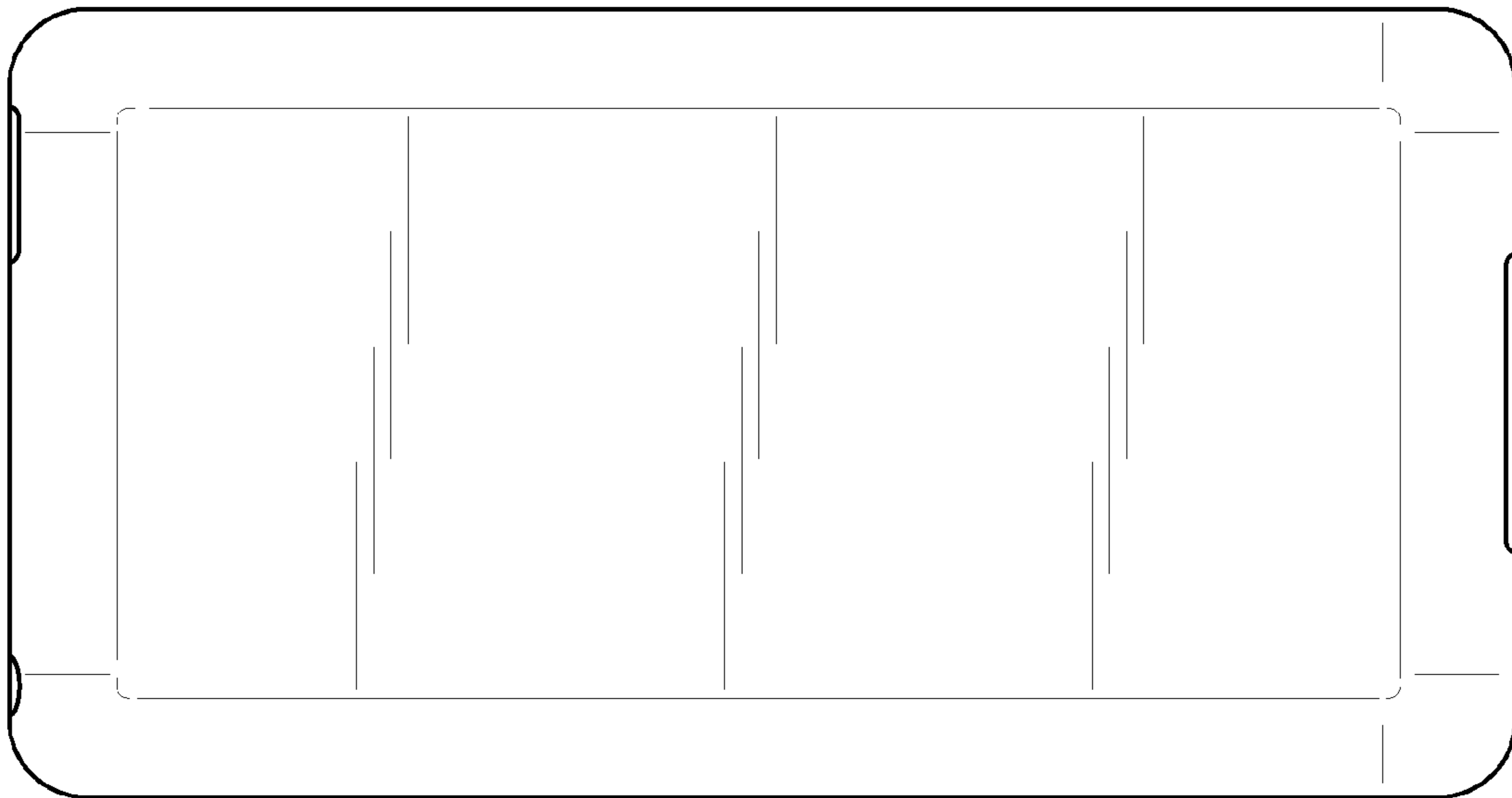


FIG. 3

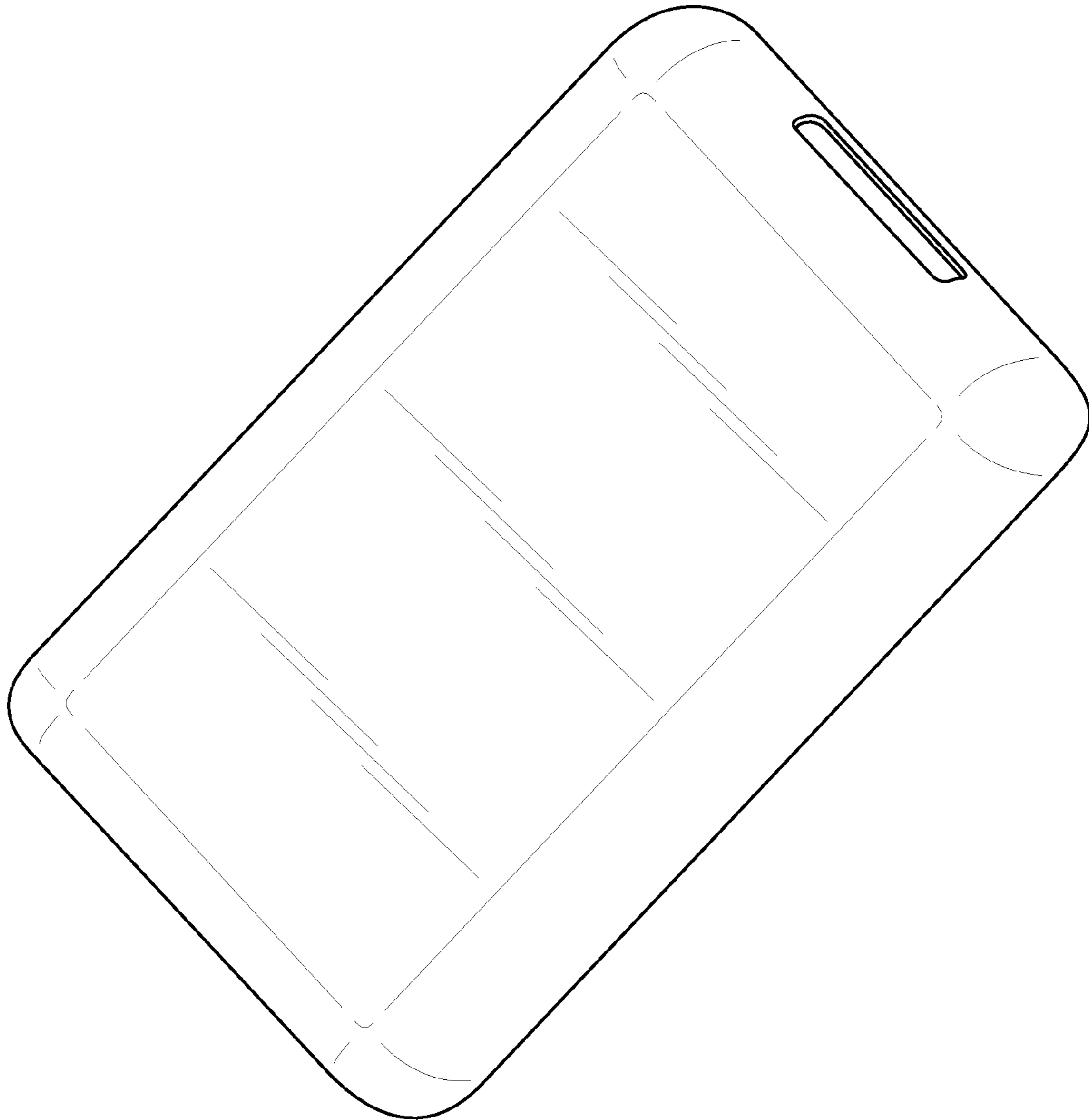


FIG. 4

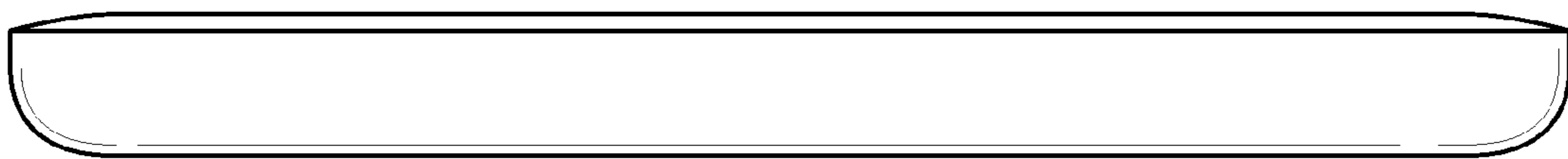


FIG. 5

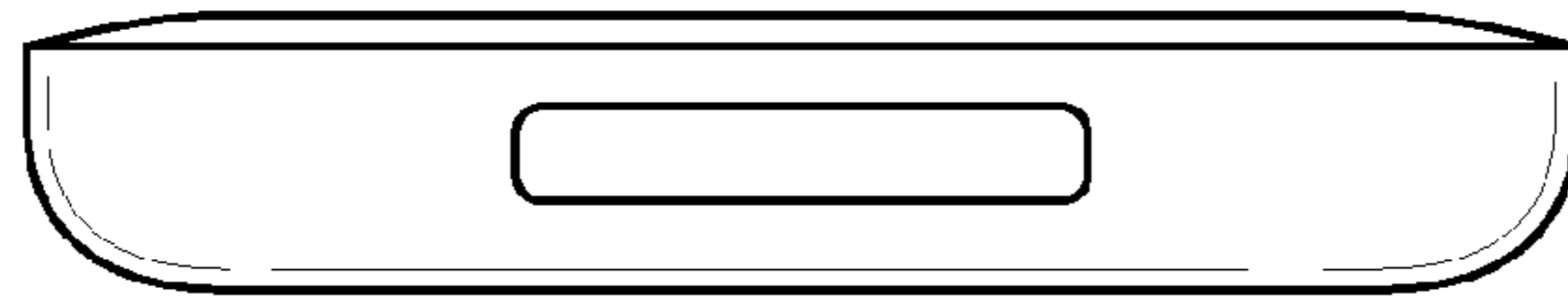


FIG. 6

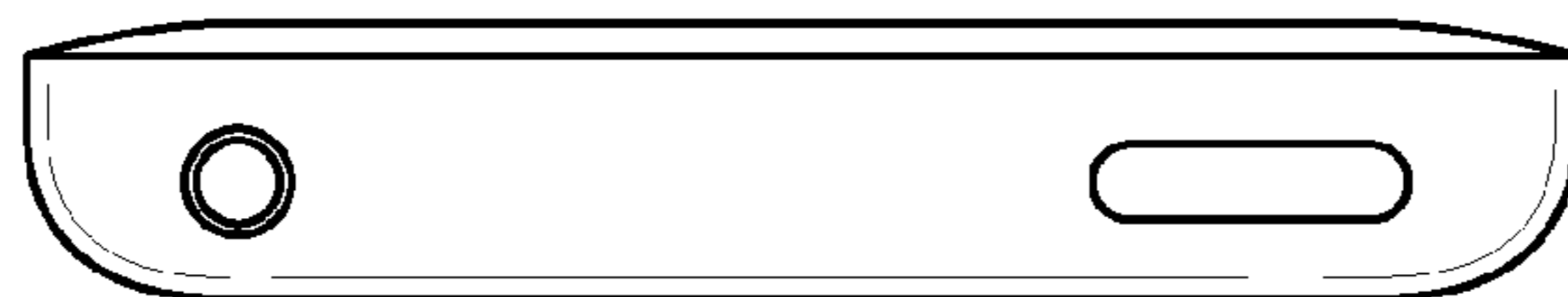


FIG. 7

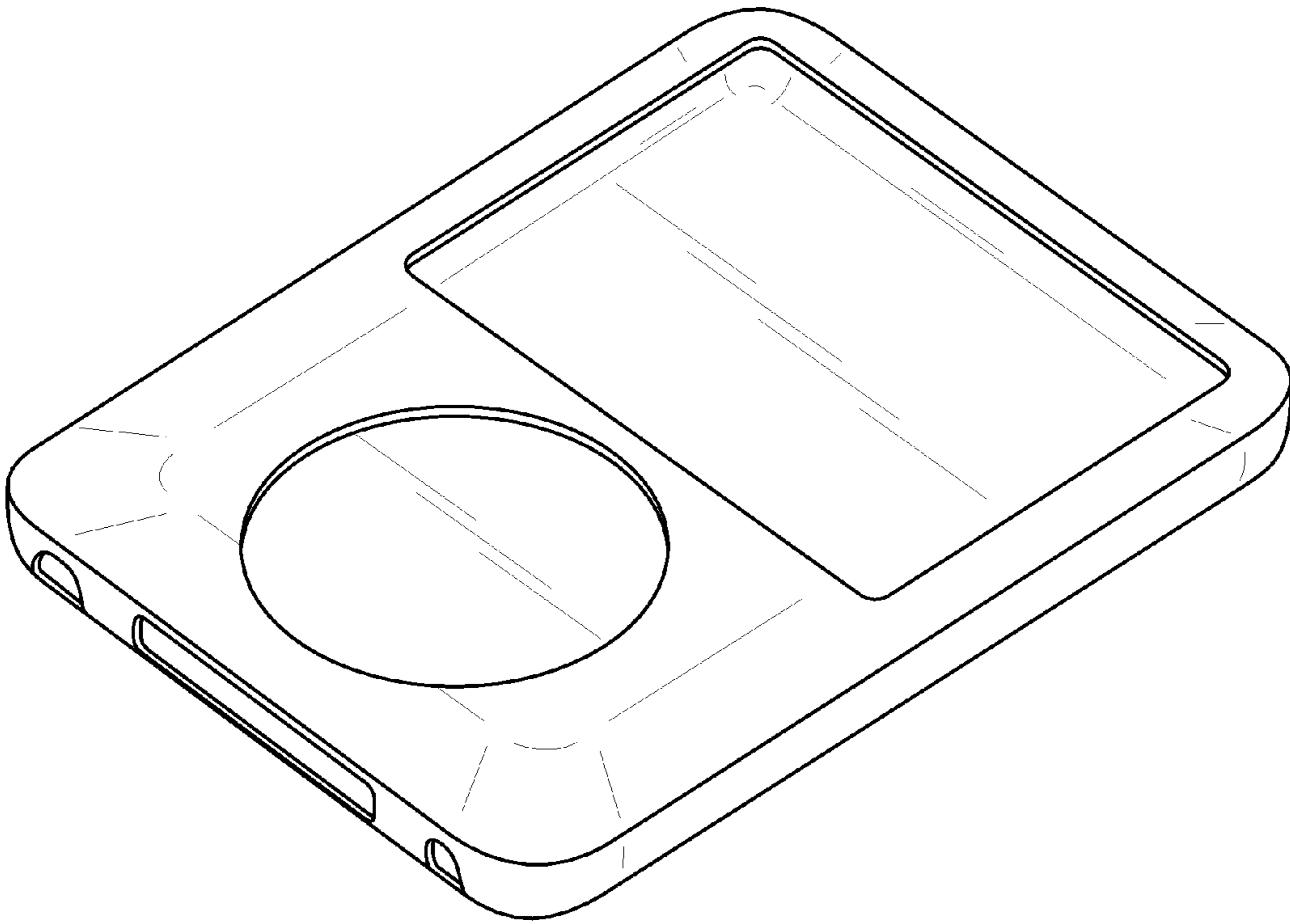


FIG. 8

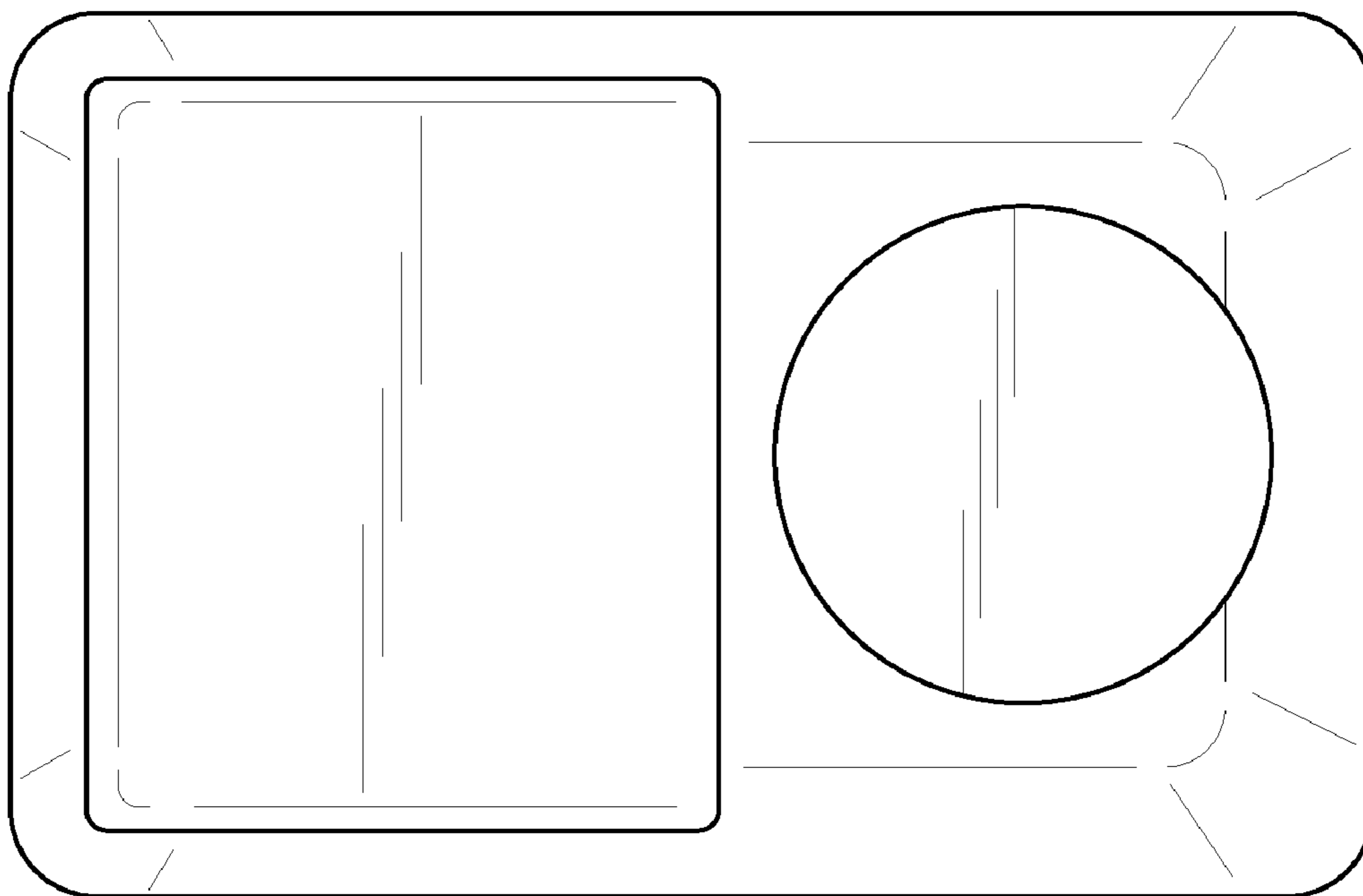


FIG. 9

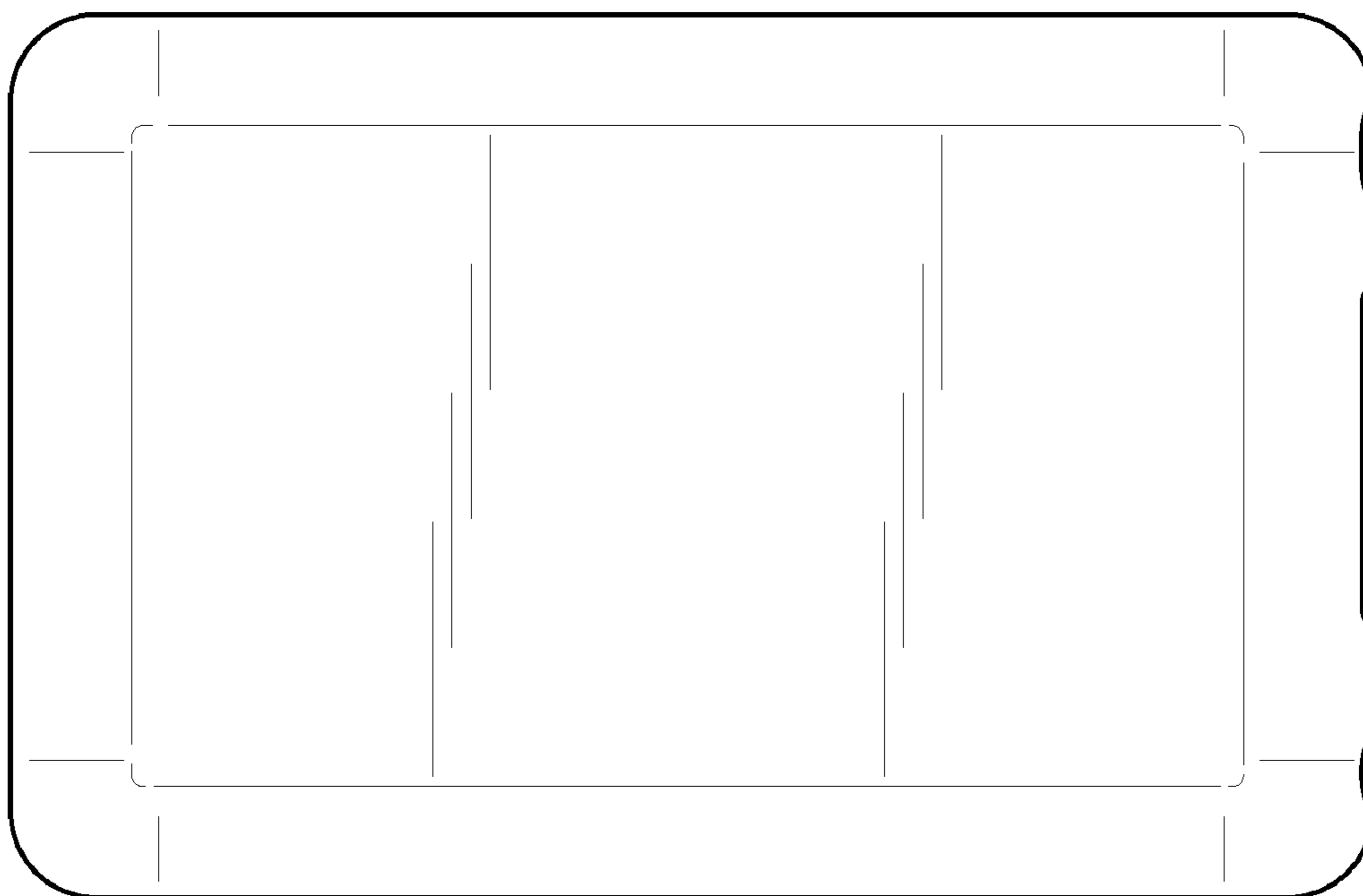


FIG. 10

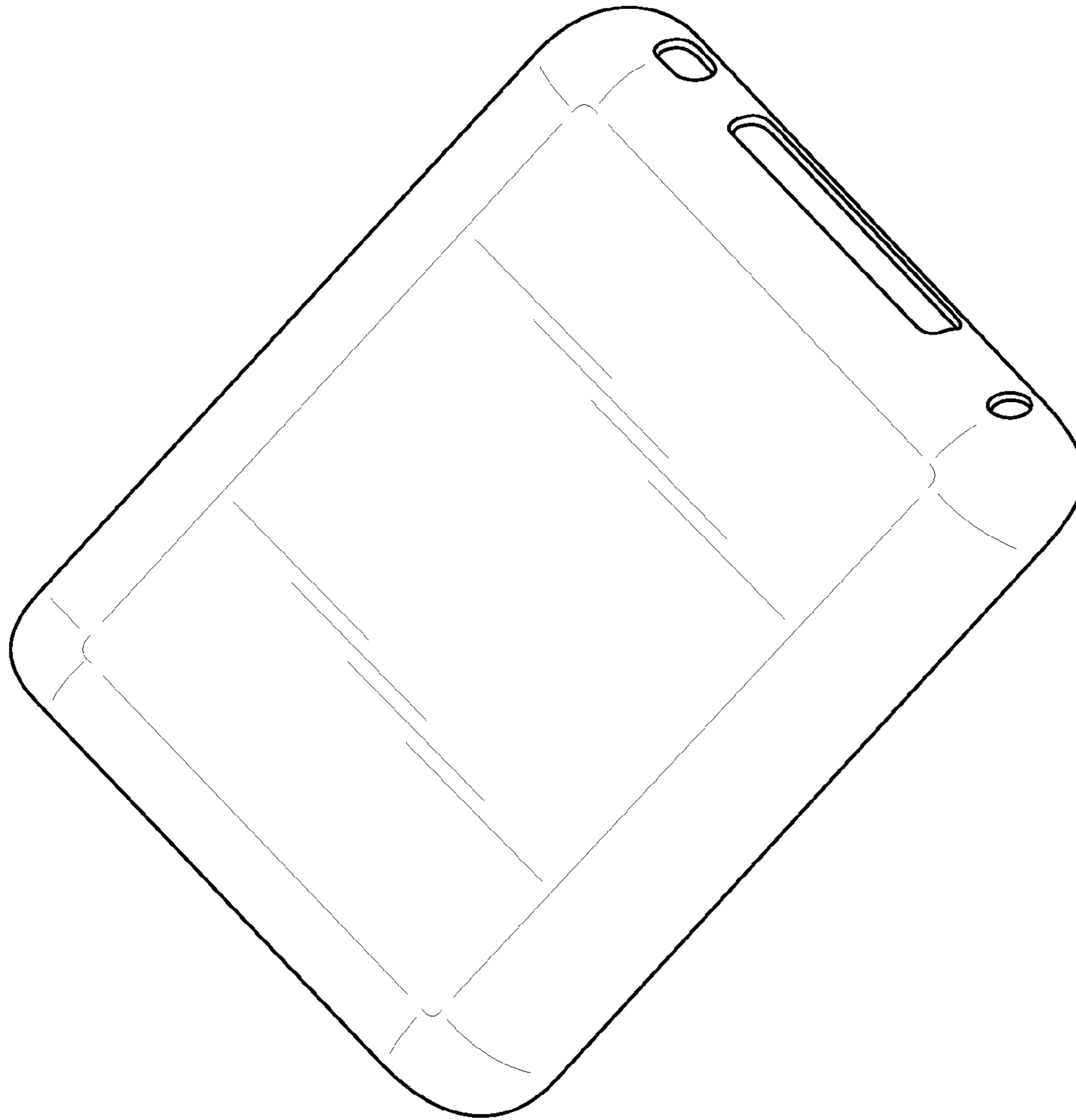


FIG. 11



FIG. 12



FIG. 13

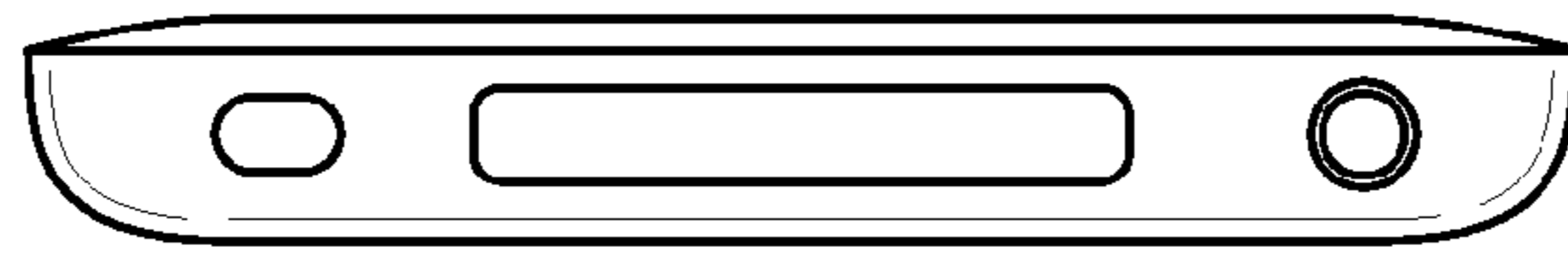


FIG. 14