



US00D628798S

(12) **United States Design Patent**
Kalbach

(10) **Patent No.:** **US D628,798 S**

(45) **Date of Patent:** **** Dec. 14, 2010**

(54) **CARD HOLDER WITH A TRANSPARENT COVER**

Primary Examiner—Holly H Baynham
(74) *Attorney, Agent, or Firm*—TraskBritt

(75) **Inventor:** **Edward Van Lee Kalbach**, Nibley, UT (US)

(57) **CLAIM**

The ornamental design for a card holder with a transparent cover, as shown and described.

(73) **Assignee:** **EK Ekcessories, Inc.**, Nibley, UT (US)

(**) **Term:** **14 Years**

DESCRIPTION

(21) **Appl. No.:** **29/359,829**

FIG. 1 is a perspective view of a card holder with a transparent cover showing my new design;

(22) **Filed:** **Apr. 15, 2010**

FIG. 2 is a top view of the card holder with a transparent cover shown in FIG. 1;

(51) **LOC (9) Cl.** **03-01**

FIG. 3 is a bottom view of the card holder with a transparent cover shown in FIG. 1;

(52) **U.S. Cl.** **D3/247**

(58) **Field of Classification Search** D3/247–253;
150/130–132, 137

FIG. 4 is a side view of the card holder with a transparent cover shown in FIG. 1;

See application file for complete search history.

FIG. 5 is another side view of the card holder with a transparent cover shown in FIG. 1;

(56) **References Cited**

U.S. PATENT DOCUMENTS

D470,657 S *	2/2003	Kawamura	D3/247
D481,537 S *	11/2003	Vaughn	D3/247
D510,187 S *	10/2005	Chan	D3/247
D550,453 S *	9/2007	Ford	D3/247
D570,112 S *	6/2008	McDowell et al.	D3/247

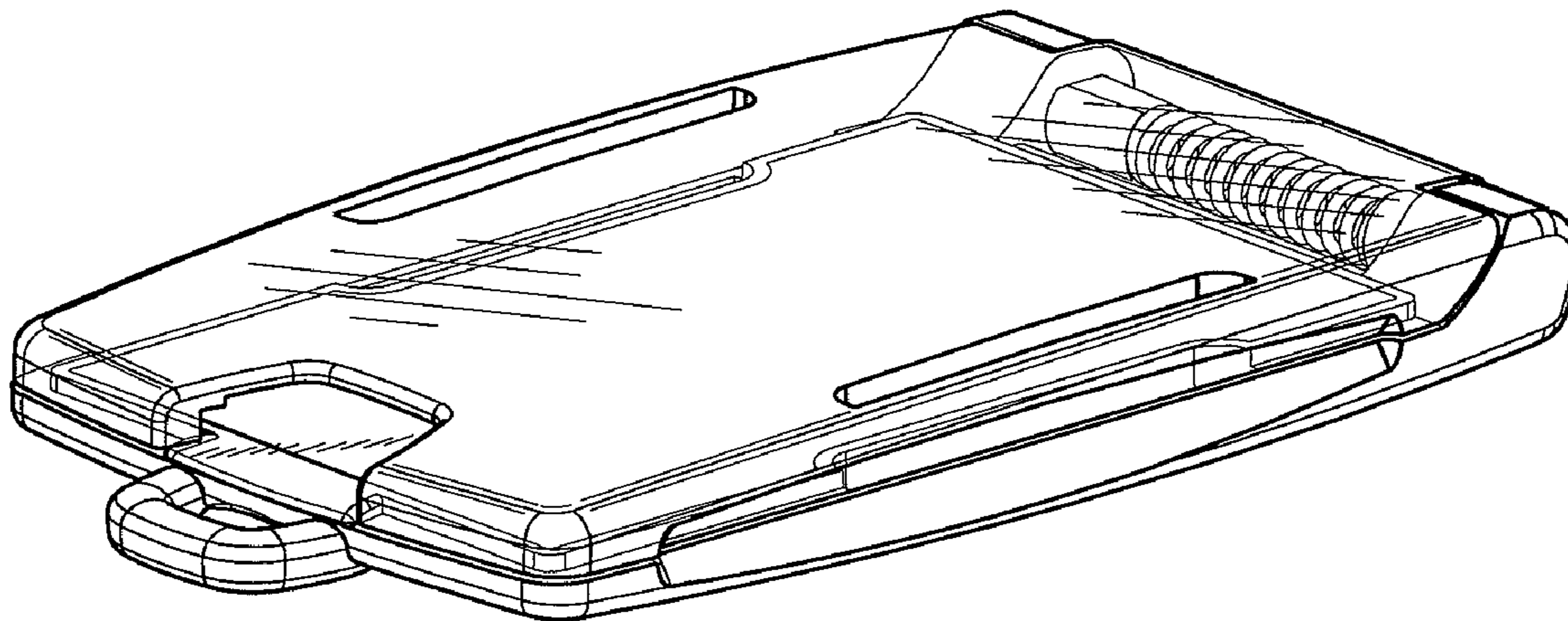
FIG. 6 is a rear view of the card holder with a transparent cover shown in FIG. 1;

FIG. 7 is a front view of the card holder with a transparent cover shown in FIG. 1; and,

FIG. 8 is a perspective view of the card holder with a transparent cover shown in FIG. 1 shown in an open condition.

* cited by examiner

1 Claim, 3 Drawing Sheets



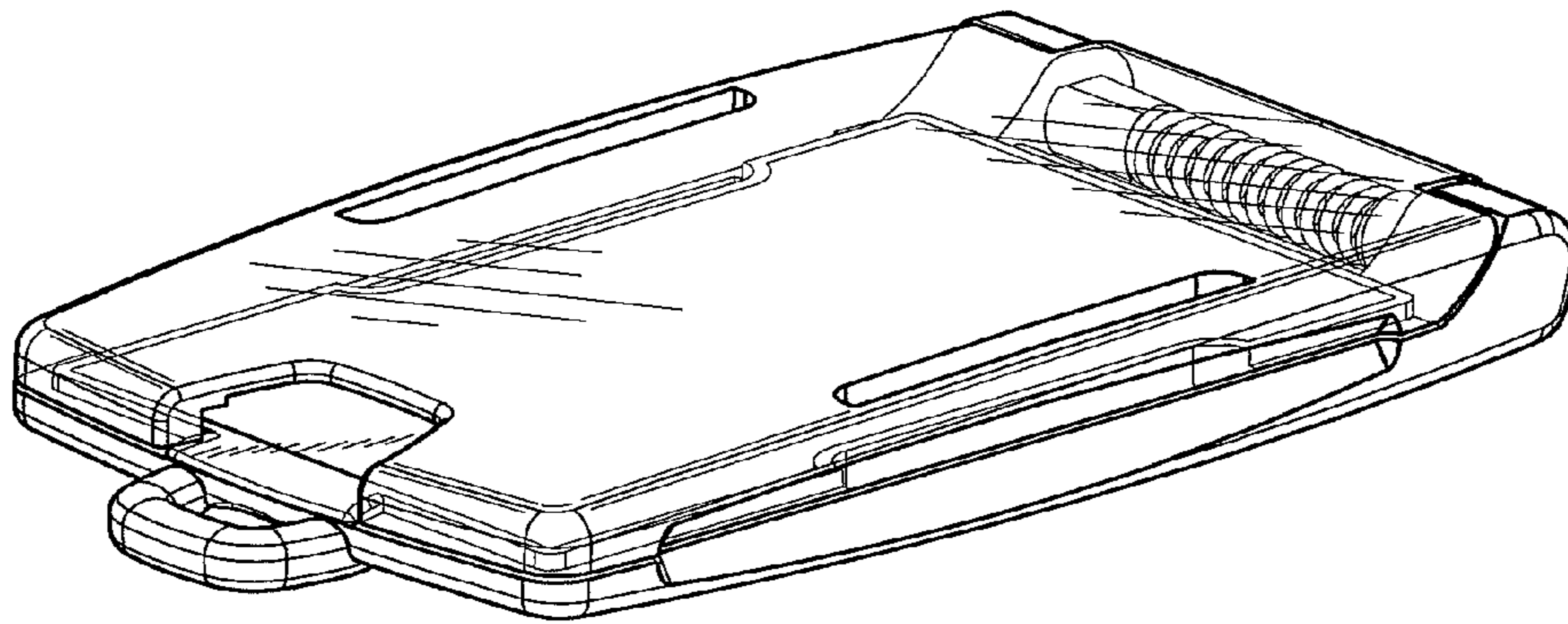


FIG. 1

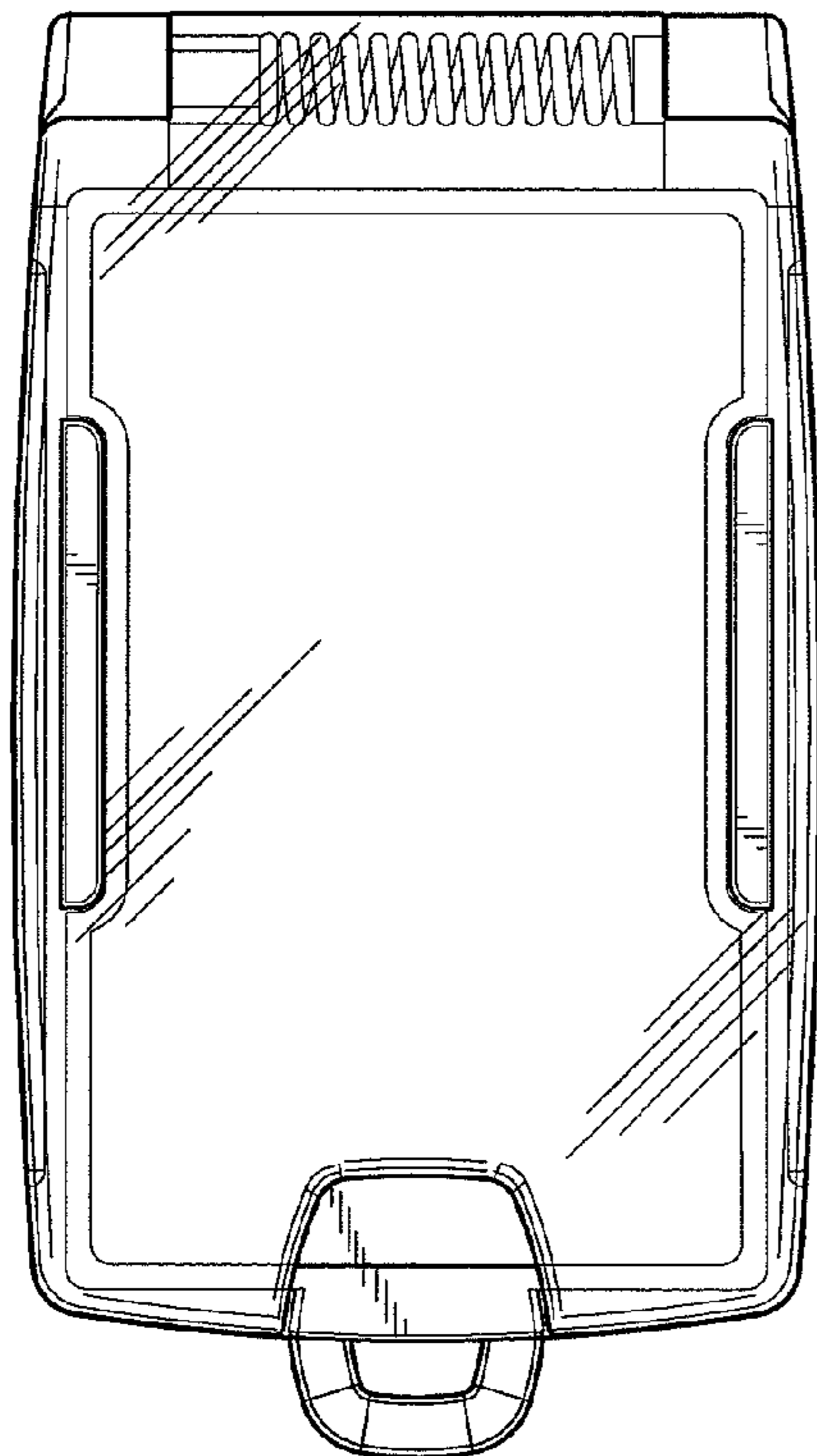


FIG. 2

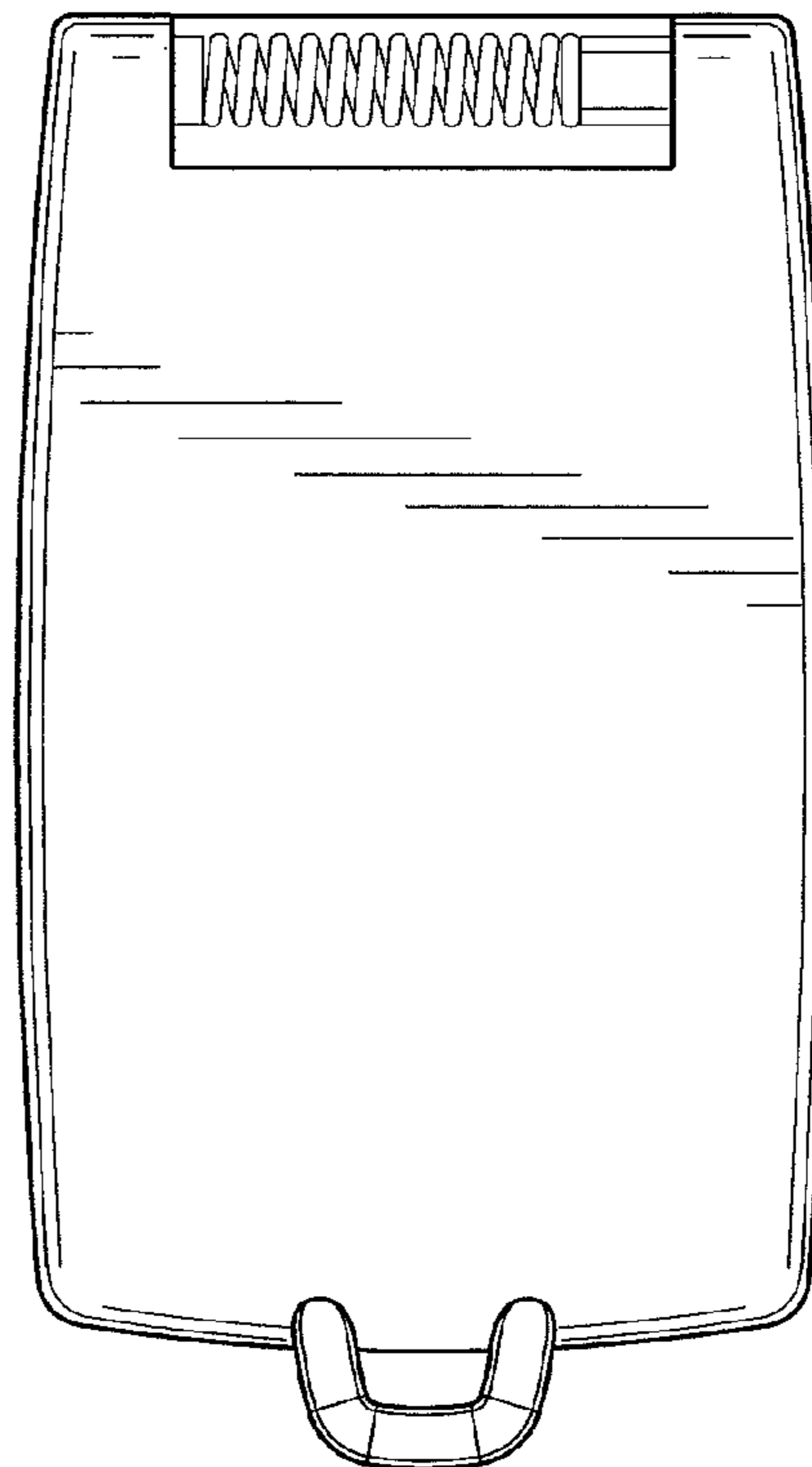


FIG. 3



FIG. 4

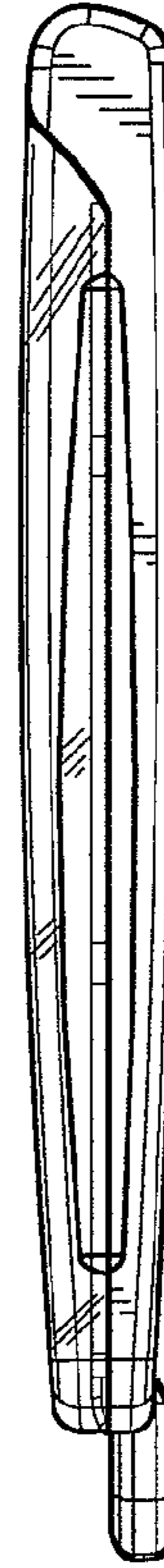


FIG. 5

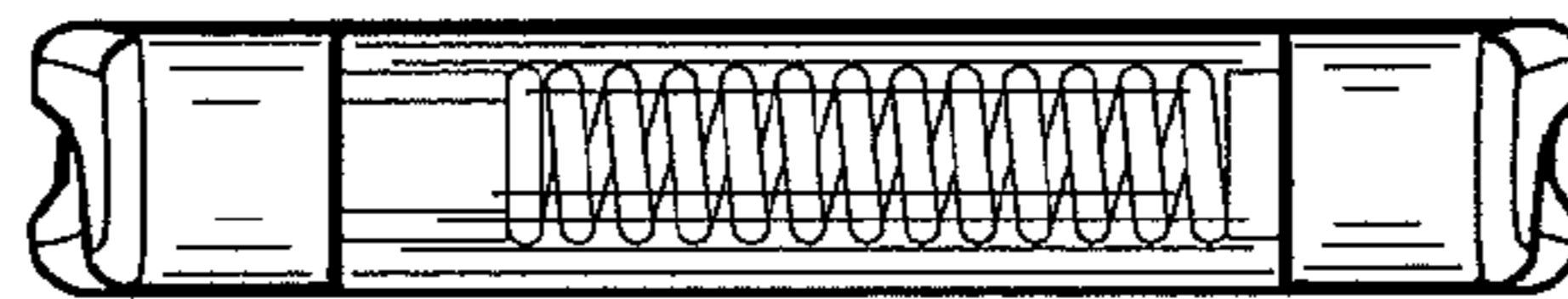


FIG. 6

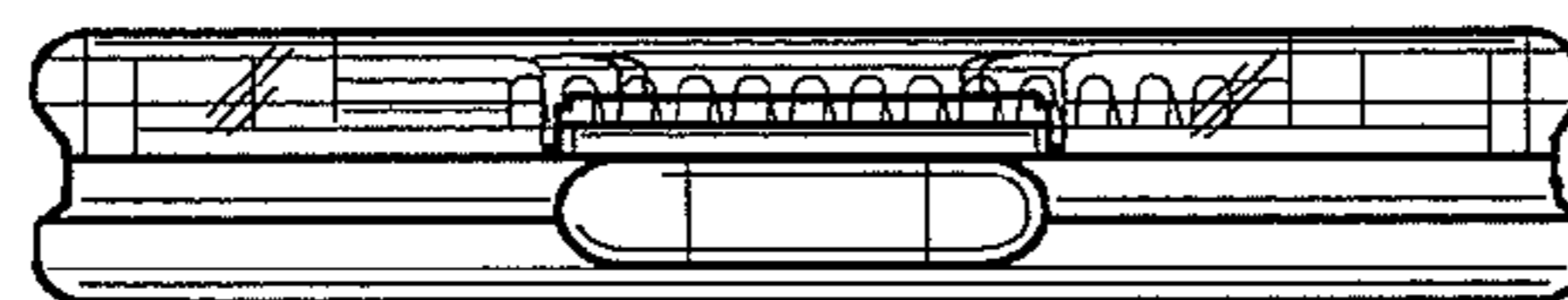


FIG. 7

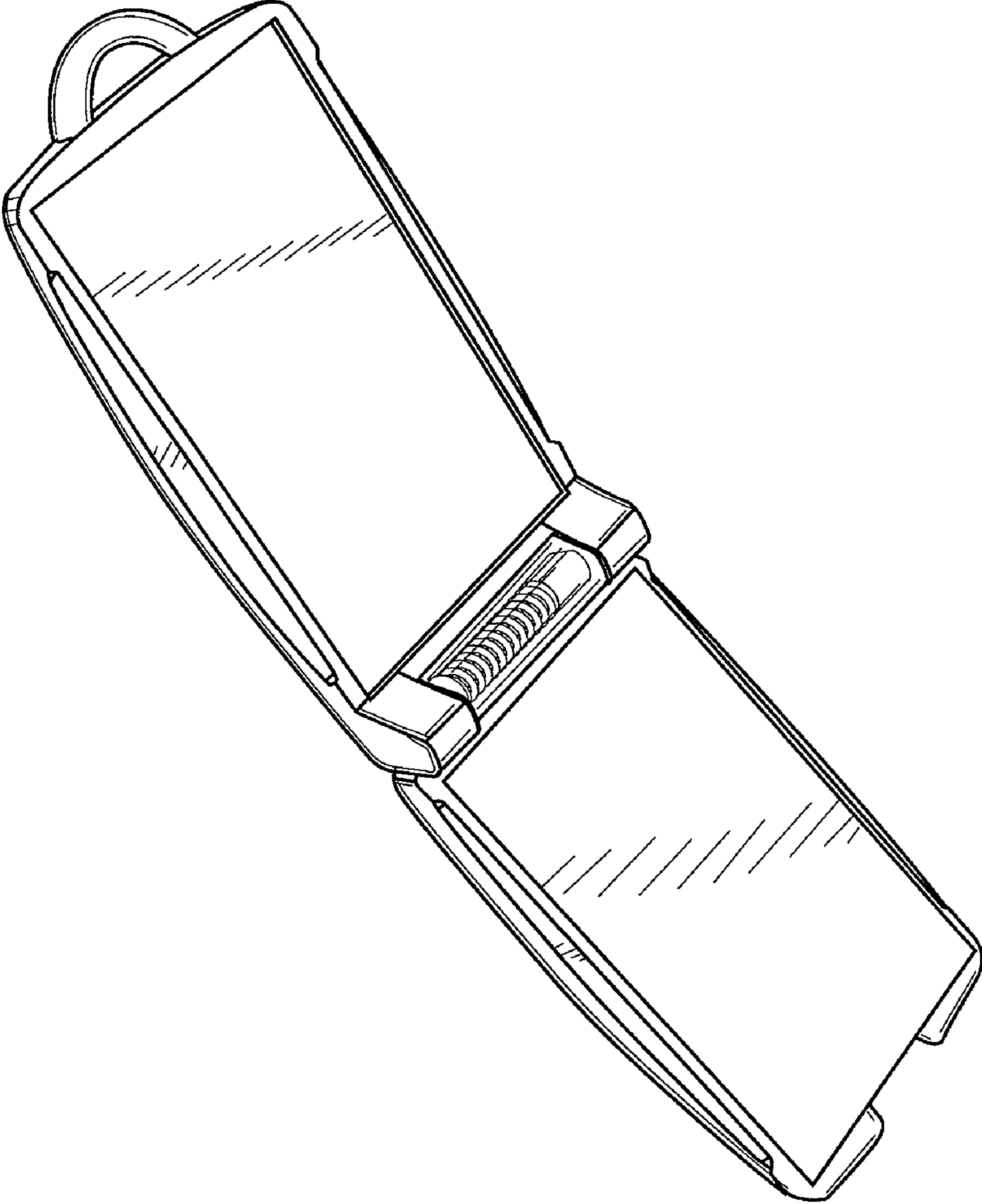


FIG. 8