

US00D628796S

(12) **United States Design Patent**
Uzelac

(10) **Patent No.:** **US D628,796 S**

(45) **Date of Patent:** **** Dec. 14, 2010**

(54) **CREDIT CARD HOLDER**

(76) **Inventor:** **Noel Nebojsa Uzelac**, 670 Powell Court,
Burlington, ON (CA) L7R 3E8

(**) **Term:** **14 Years**

(21) **Appl. No.:** **29/344,570**

(22) **Filed:** **Sep. 30, 2009**

Related U.S. Application Data

(63) Continuation-in-part of application No. 29/330,190,
filed on Dec. 30, 2008, now Pat. No. Des. 611,249,
which is a continuation-in-part of application No.
29/300,292, filed on Mar. 10, 2008, now Pat. No. Des.
584,049.

(51) **LOC (9) Cl.** **03-01**

(52) **U.S. Cl.** **D3/247**

(58) **Field of Classification Search** D3/247-252,
D3/318, 324; 150/130-132

See application file for complete search history.

(56) **References Cited**

U.S. PATENT DOCUMENTS

48,727 A * 7/1865 Saarbach 150/118
2,068,507 A * 1/1937 Nagel 150/103
D137,656 S * 4/1944 Koch D3/247

D380,295 S * 7/1997 Morris D3/243

* cited by examiner

Primary Examiner—Holly H Baynham

(74) *Attorney, Agent, or Firm*—Steven M. Greenberg, Esq.;
Carey Rodriguez Greenberg & Paul LLP

(57) **CLAIM**

The ornamental design for a credit card holder, as shown and
described.

DESCRIPTION

FIG. 1 is a perspective view from above of the credit card
holder showing credit cards held thereby in broken lines;

FIG. 2 is a perspective view of the credit card holder from
below;

FIG. 3 is a first side view of the credit card holder;

FIG. 4 is a front view of the credit card holder;

FIG. 5 is a second side view of the credit card holder;

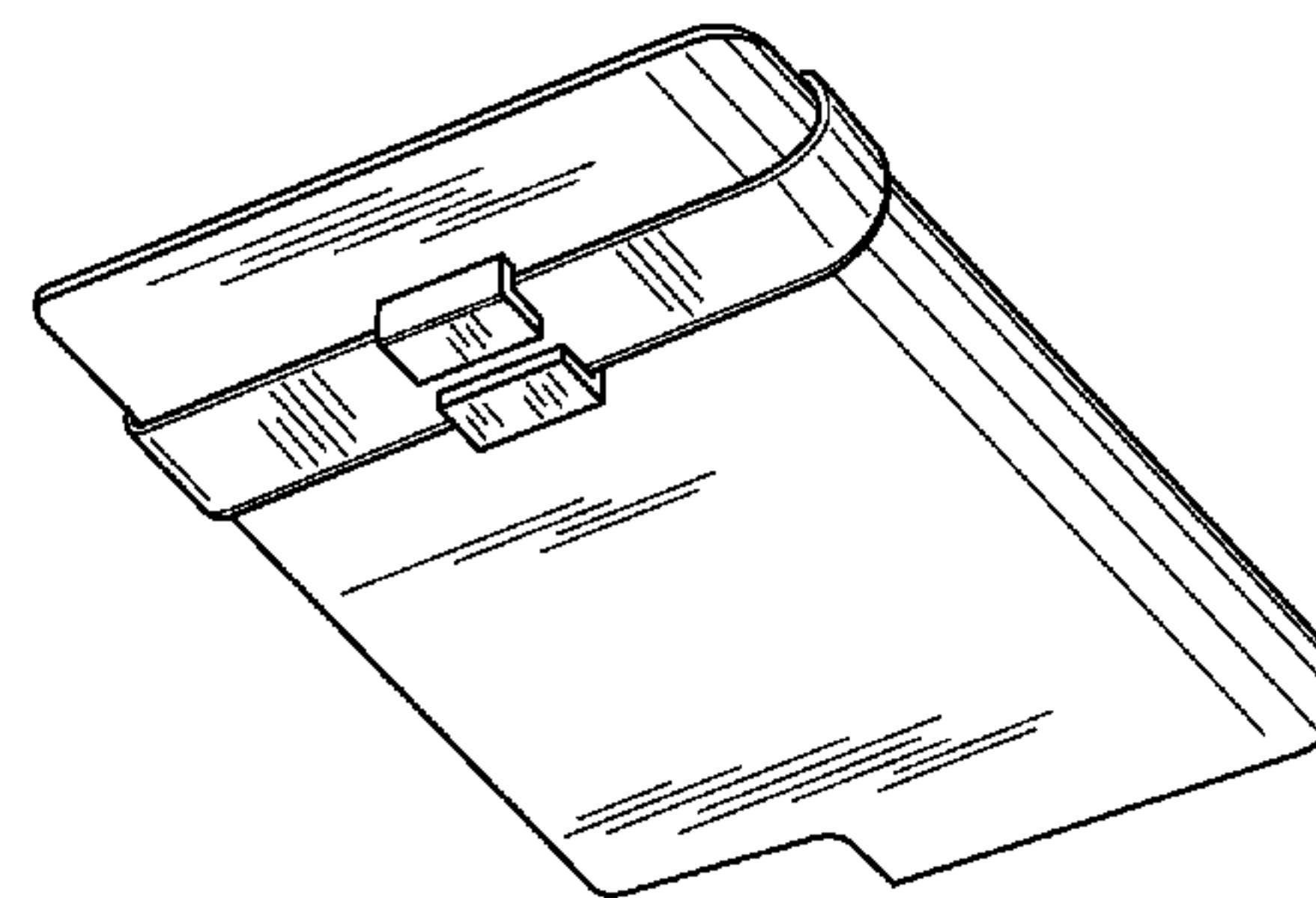
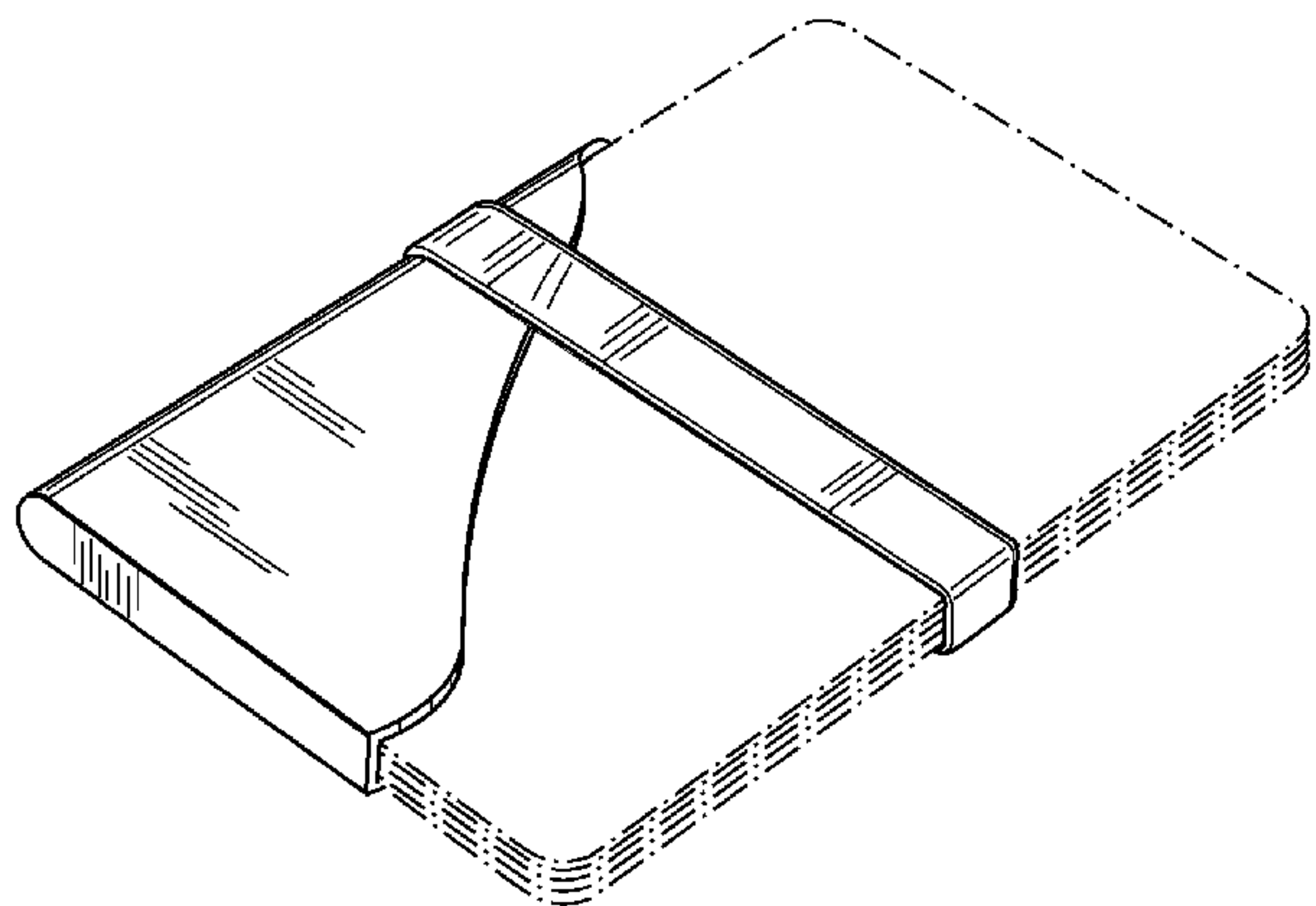
FIG. 6 is a rear view of the credit card holder;

FIG. 7 is a plan view of the credit card holder; and,

FIG. 8 is a bottom view of the credit card holder.

The broken lines are for illustrative purposes only and form
no part of the claimed design.

1 Claim, 2 Drawing Sheets



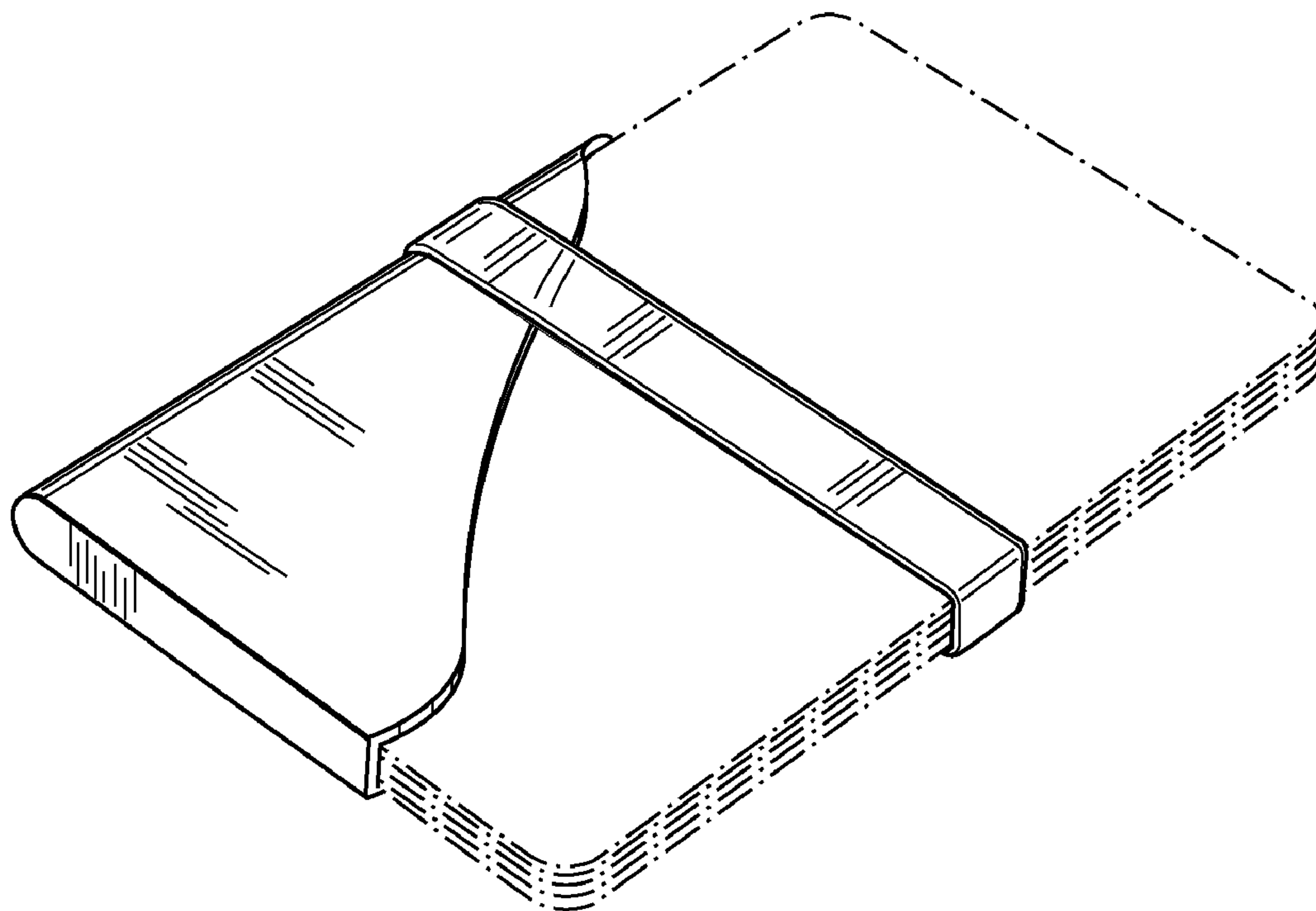


FIG. 1

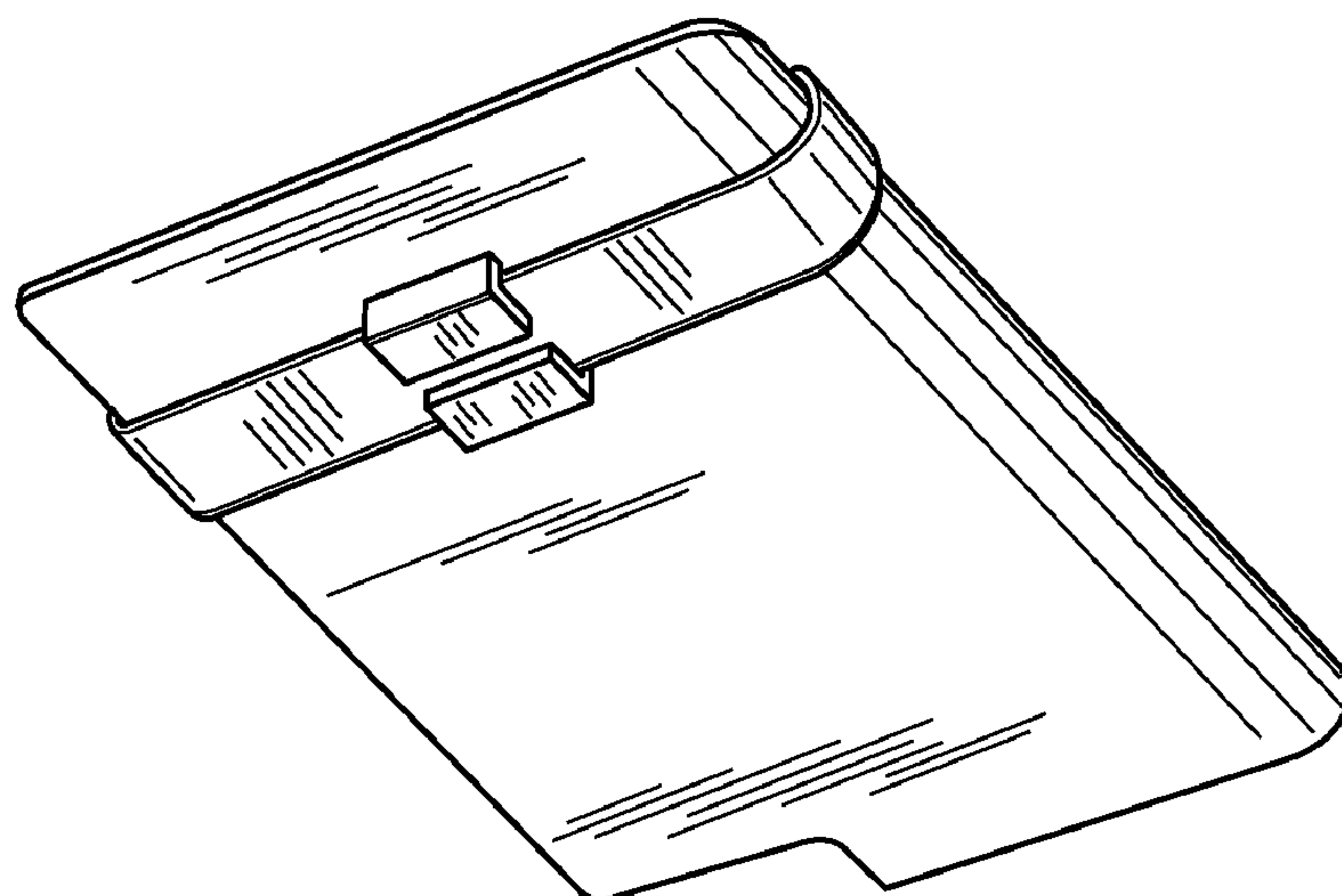


FIG. 2

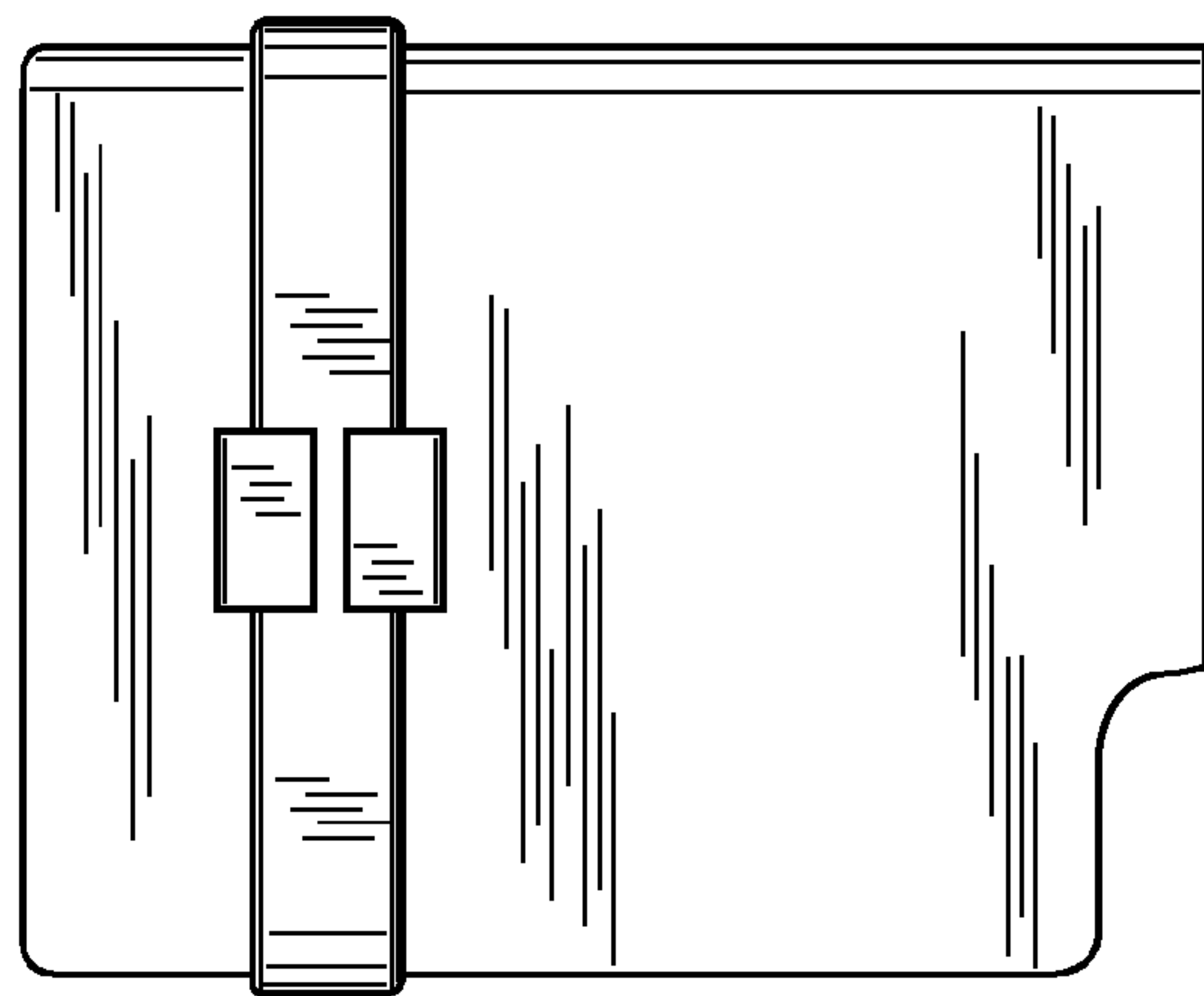


FIG. 6

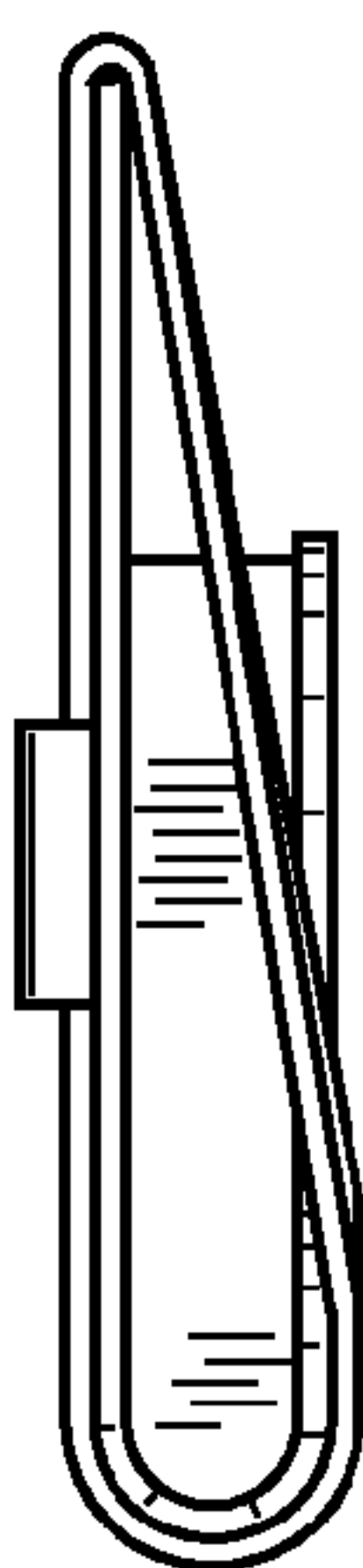


FIG. 7

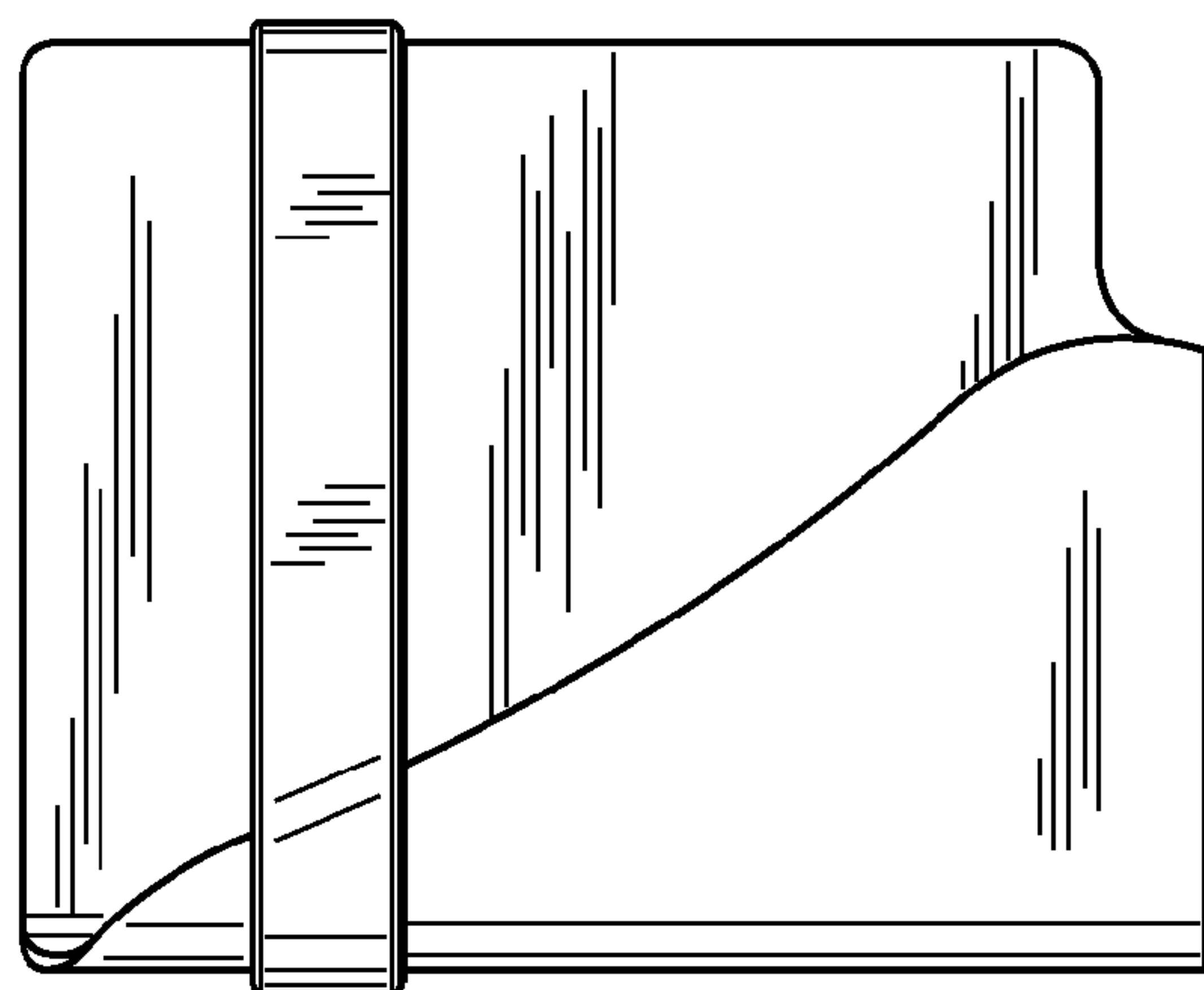


FIG. 4

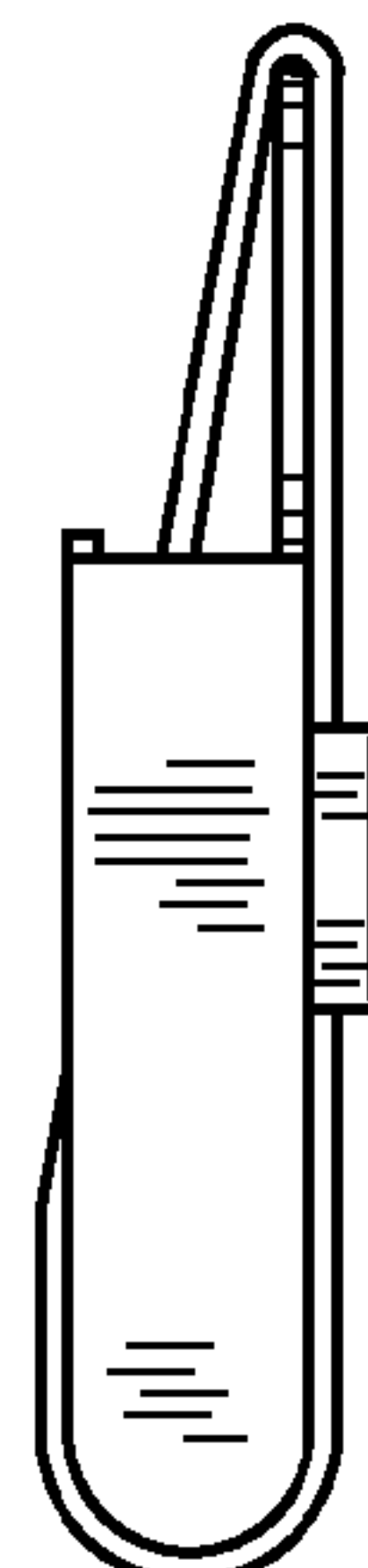


FIG. 8

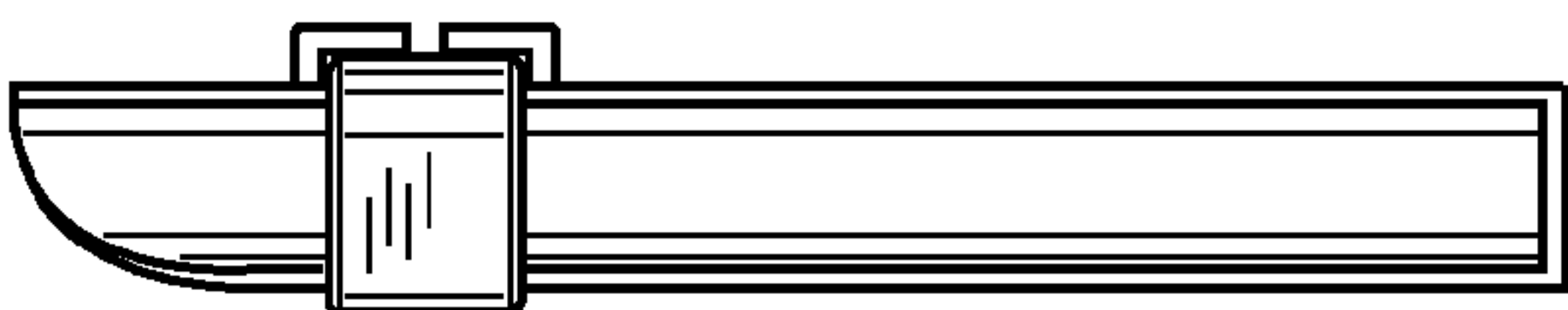


FIG. 5

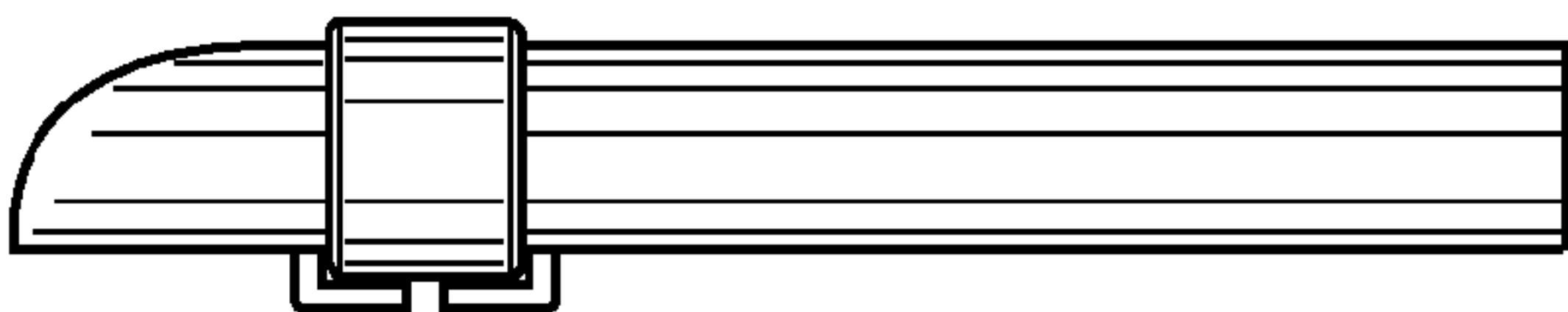


FIG. 3