

US00D628795S

(12) **United States Design Patent**
Sanders

(10) **Patent No.:** **US D628,795 S**

(45) **Date of Patent:** **** *Dec. 14, 2010**

(54) **CARD HOLDER**

(76) Inventor: **John M. Sanders**, 2108 Fairway Dr.,
Minneapolis, MN (US) 55421

(*) Notice: This patent is subject to a terminal disclaimer.

(**) Term: **14 Years**

(21) Appl. No.: **29/310,362**

(22) Filed: **Aug. 11, 2008**

Related U.S. Application Data

(62) Division of application No. 29/267,897, filed on Oct. 25, 2006, now Pat. No. Des. 574,614.

(51) **LOC (9) Cl.** **03-01**

(52) **U.S. Cl.** **D3/247**

(58) **Field of Classification Search** D3/56-60,
D3/201, 247-252, 263; D10/68; 24/48,
24/49 R, 49 CC, 49 D, 49 C; 7/151; 81/3.09,
81/33.5

See application file for complete search history.

(56) **References Cited**

U.S. PATENT DOCUMENTS

D203,240 S *	12/1965	McCreary	D3/247
D324,305 S *	3/1992	Prey	D3/247
D372,358 S *	8/1996	Mathison	D3/247
D435,965 S *	1/2001	Kim	D3/248
D484,352 S *	12/2003	Palmer	D6/632
D510,186 S *	10/2005	Bell	D3/247

D515,527 S * 2/2006 Swallow D14/137

* cited by examiner

Primary Examiner—Holly H Baynham

Assistant Examiner—Michelle E Wilson

(74) *Attorney, Agent, or Firm*—Richard John Bartz

(57) **CLAIM**

The ornamental design of a card holder, as shown and described.

DESCRIPTION

FIG. 1 is a perspective view of a card holder of my new design;

FIG. 2 is a top plan view thereof;

FIG. 3 is a side elevational view thereof, the opposite side being a mirror image thereof;

FIG. 4 is an end elevational view of the left end thereof;

FIG. 5 is an end elevational view of the right end thereof;

FIG. 6 is a bottom plan view thereof;

FIG. 7 is a perspective view of a second embodiment of the card holder in FIG. 1;

FIG. 8 is a top plan view of FIG. 7;

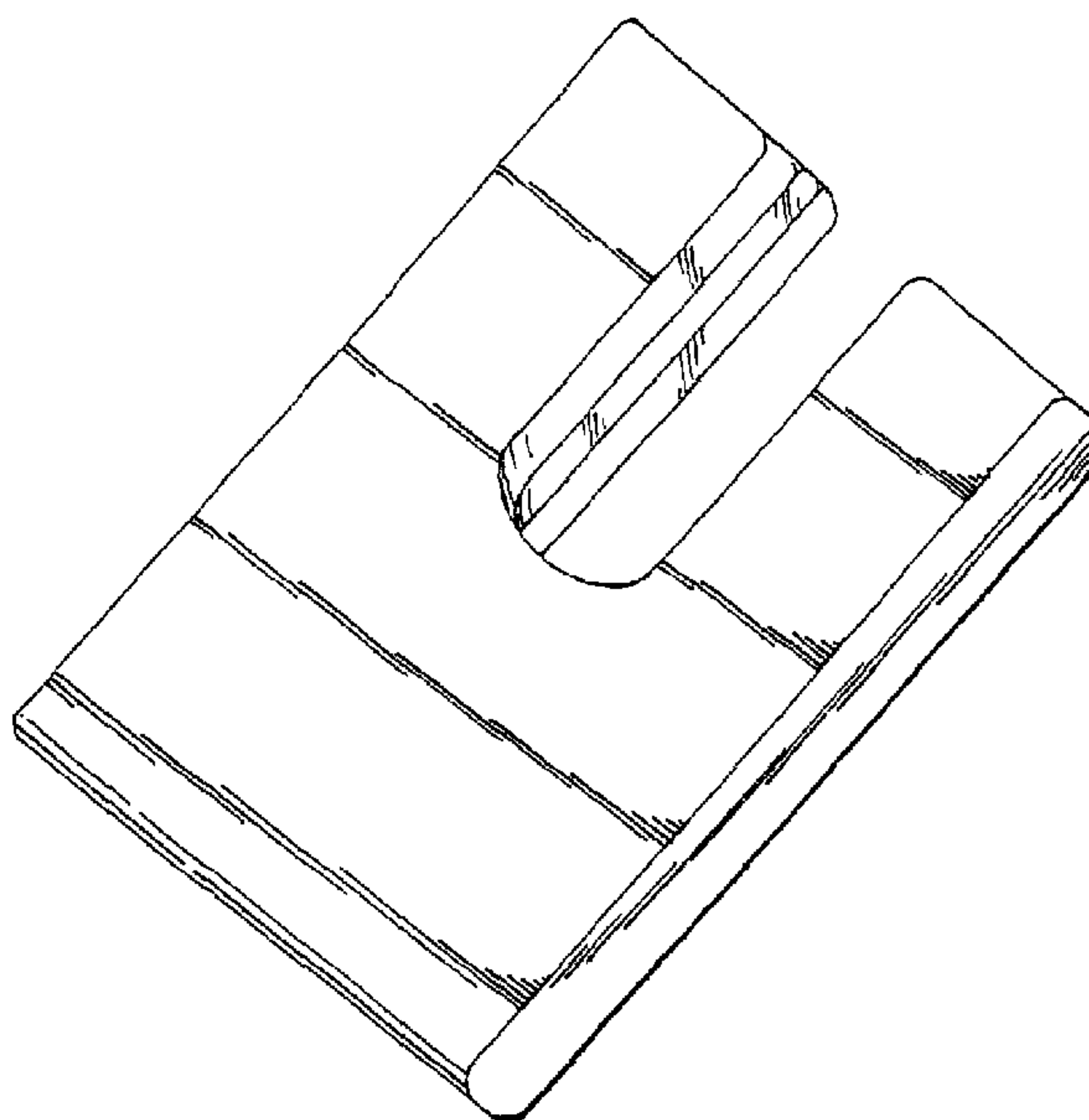
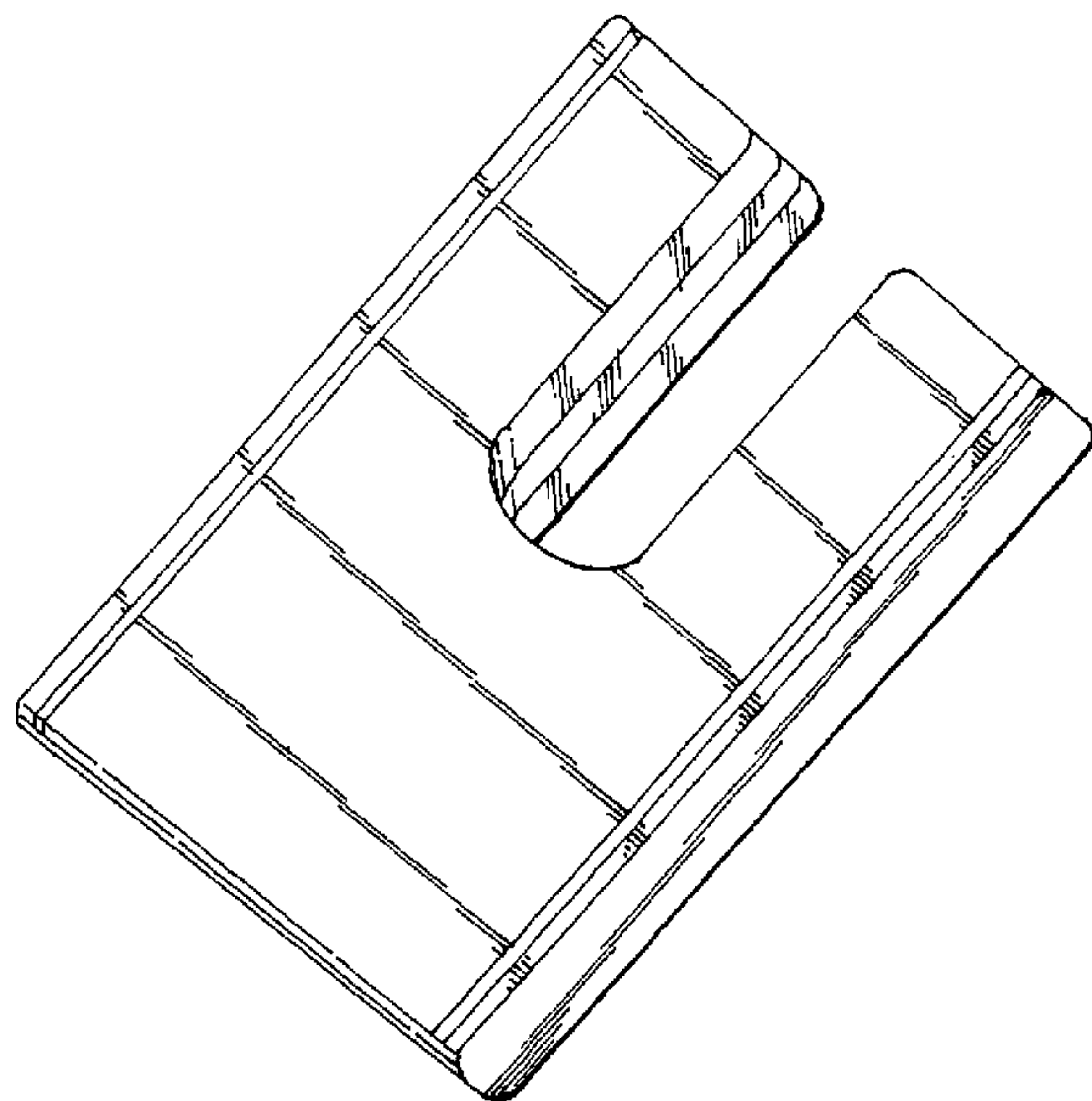
FIG. 9 is a side elevational view of FIG. 7, the opposite side being a mirror image thereof;

FIG. 10 is an elevational view of the left end of FIG. 7;

FIG. 11 is an elevational view of the right end of FIG. 7; and,

FIG. 12 is a bottom plan view of FIG. 7.

1 Claim, 4 Drawing Sheets



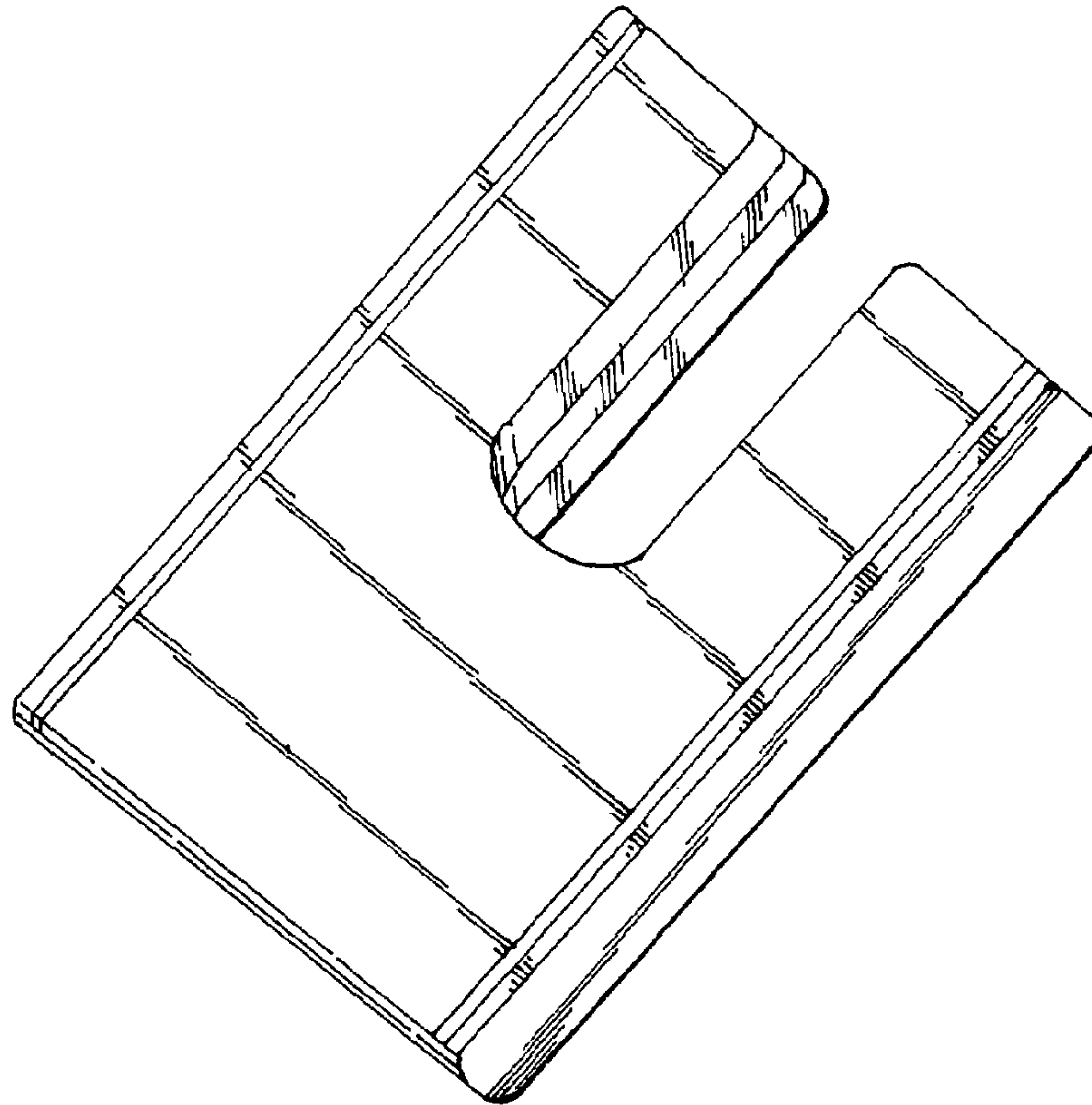


FIG. 1

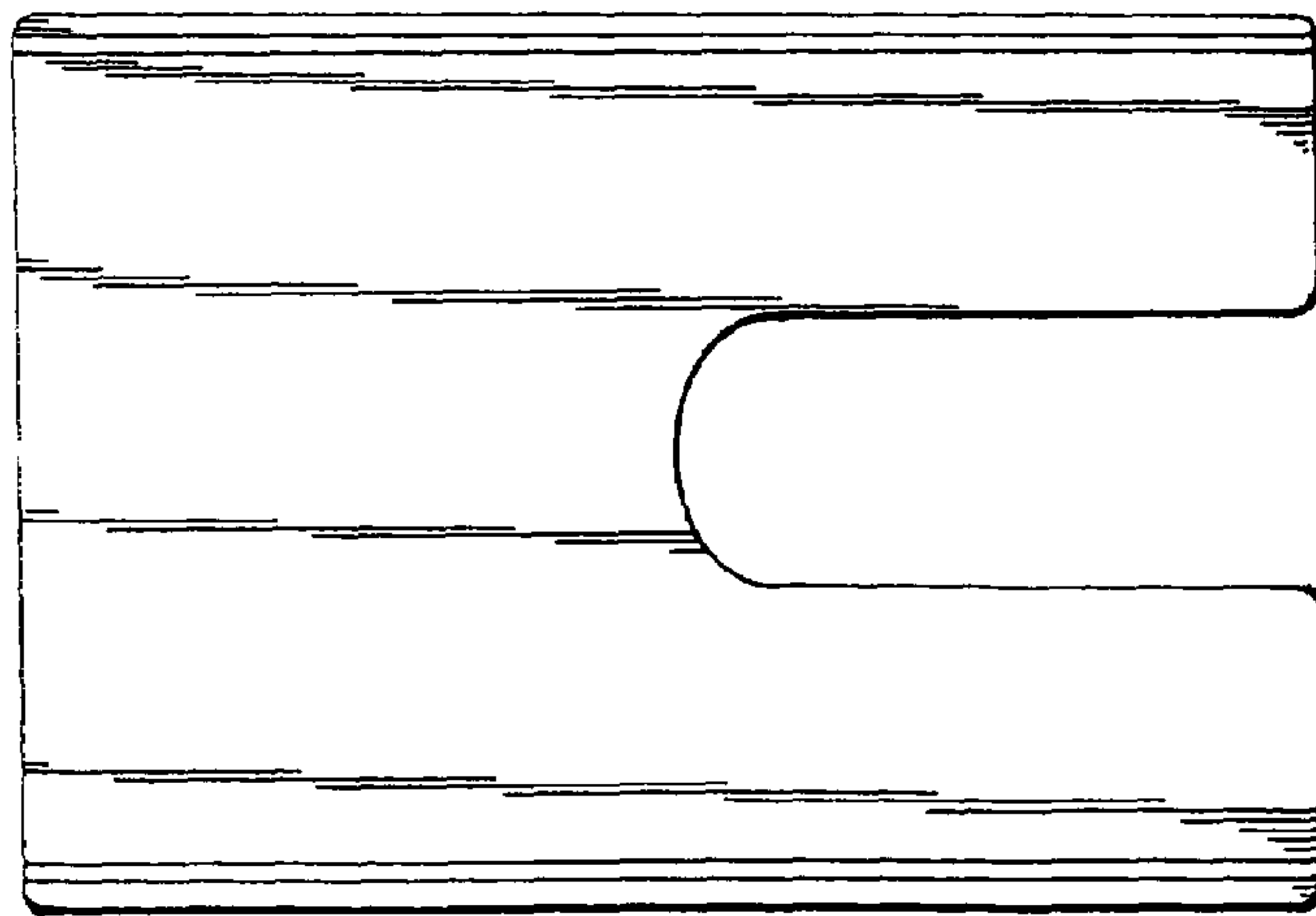


FIG. 2

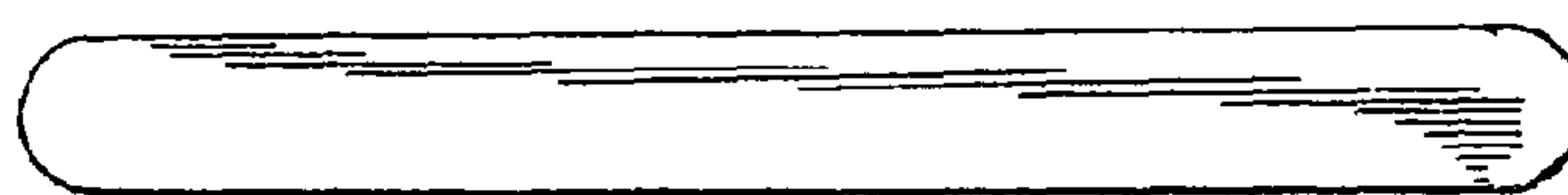


FIG. 3

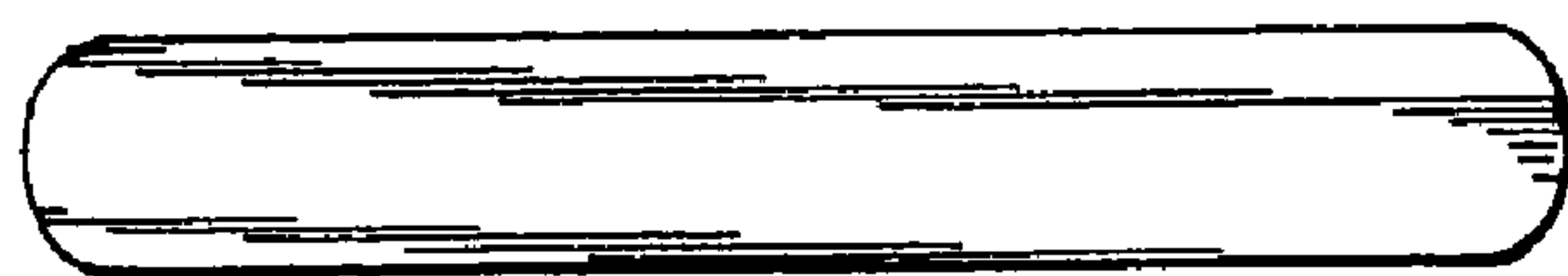


FIG. 4

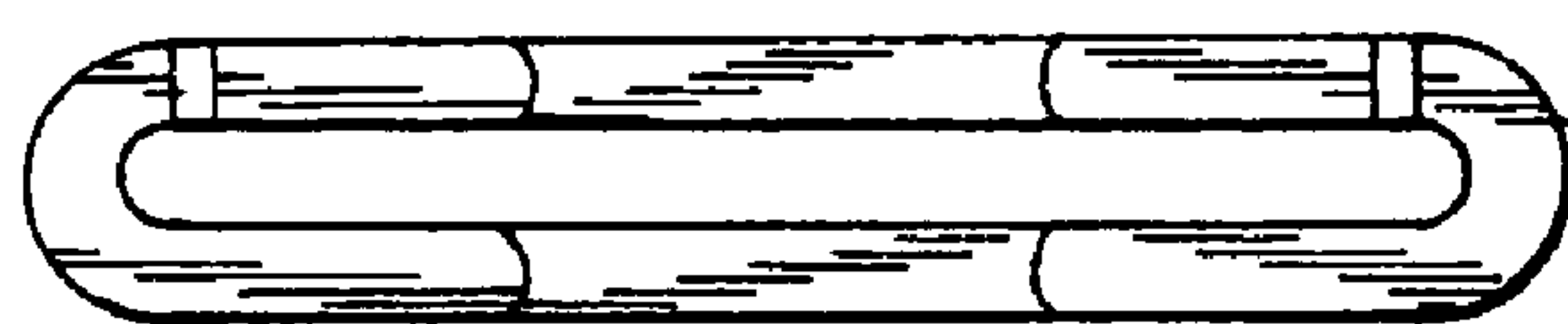


FIG. 5

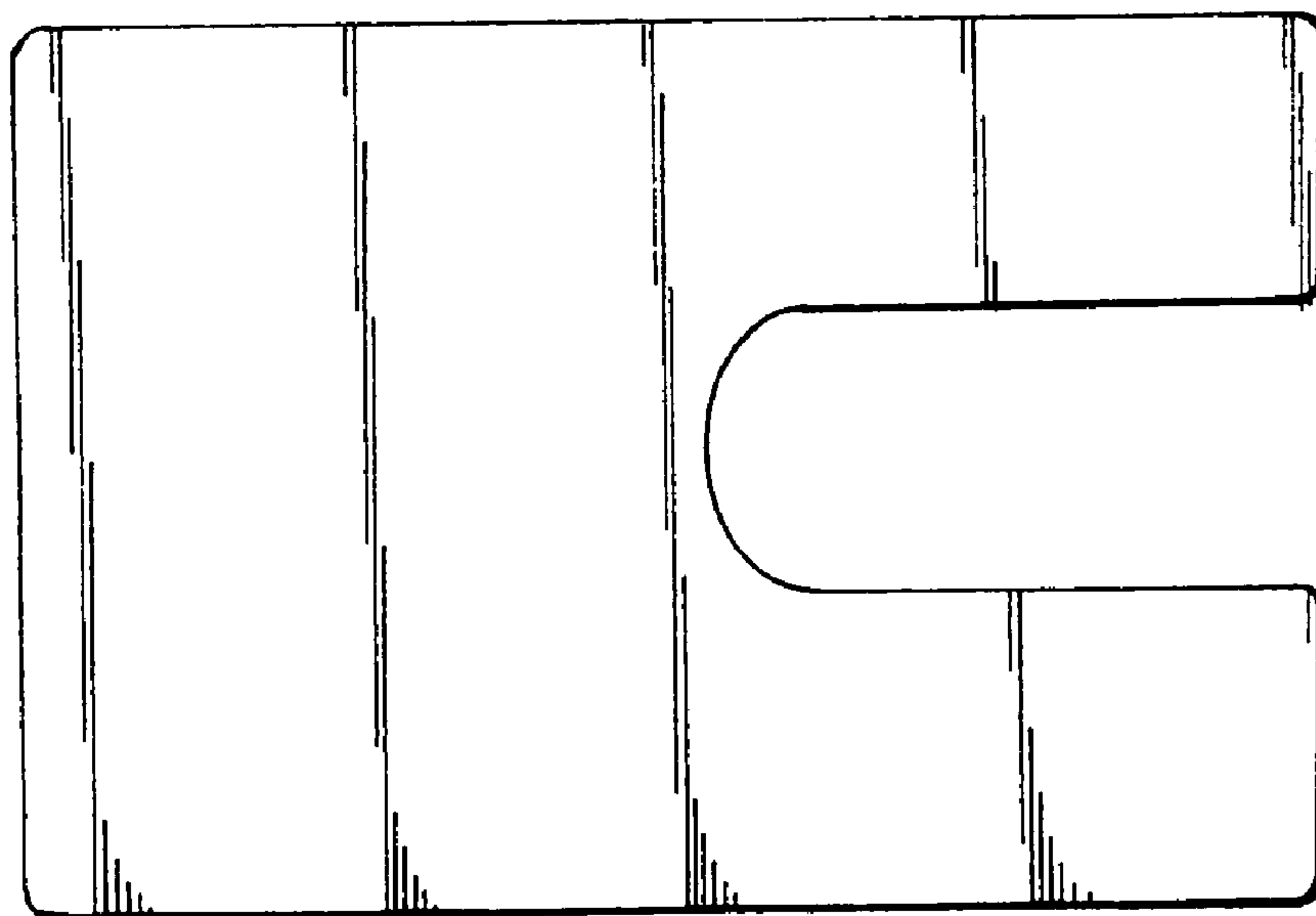


FIG. 6

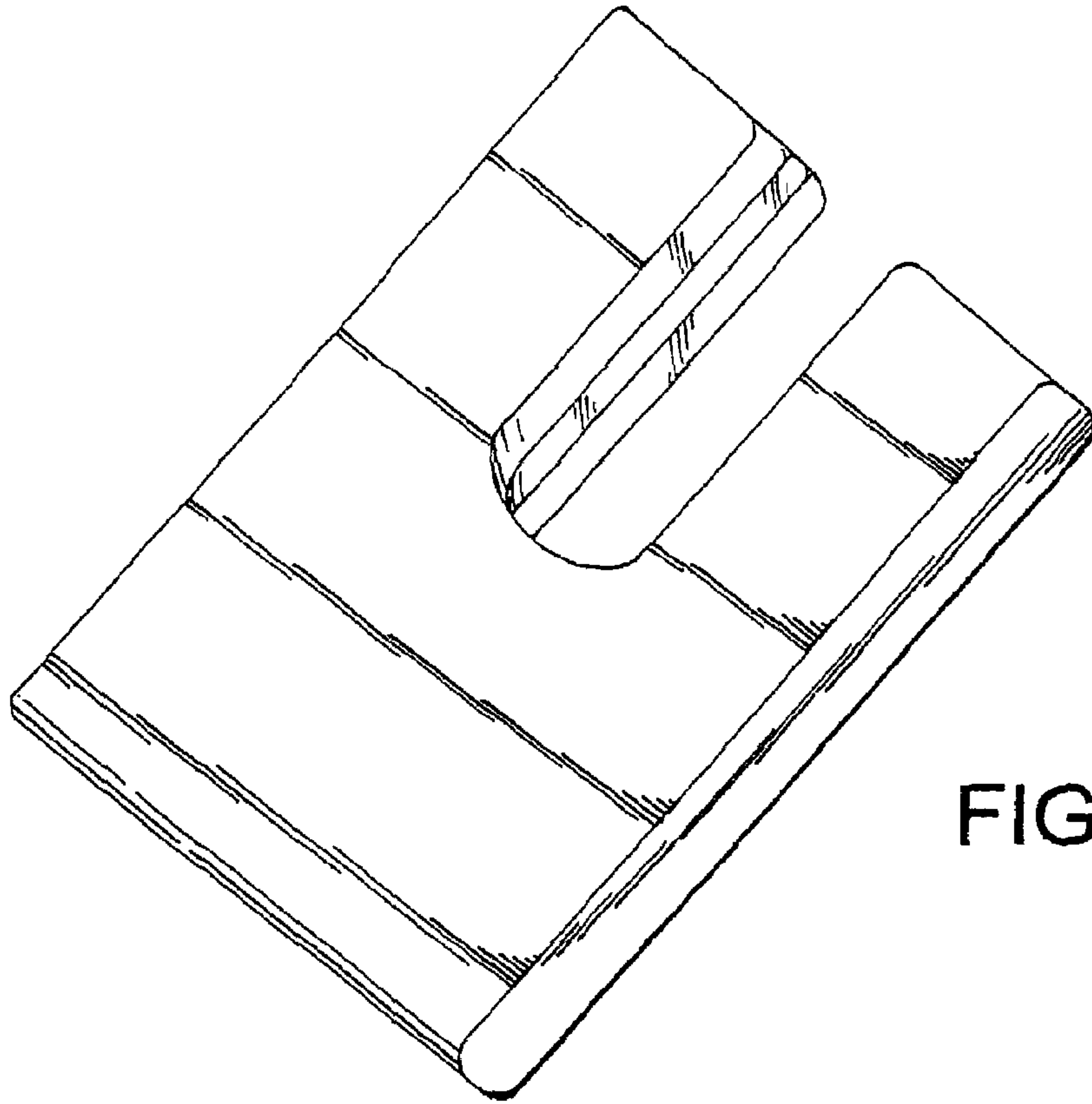


FIG. 7

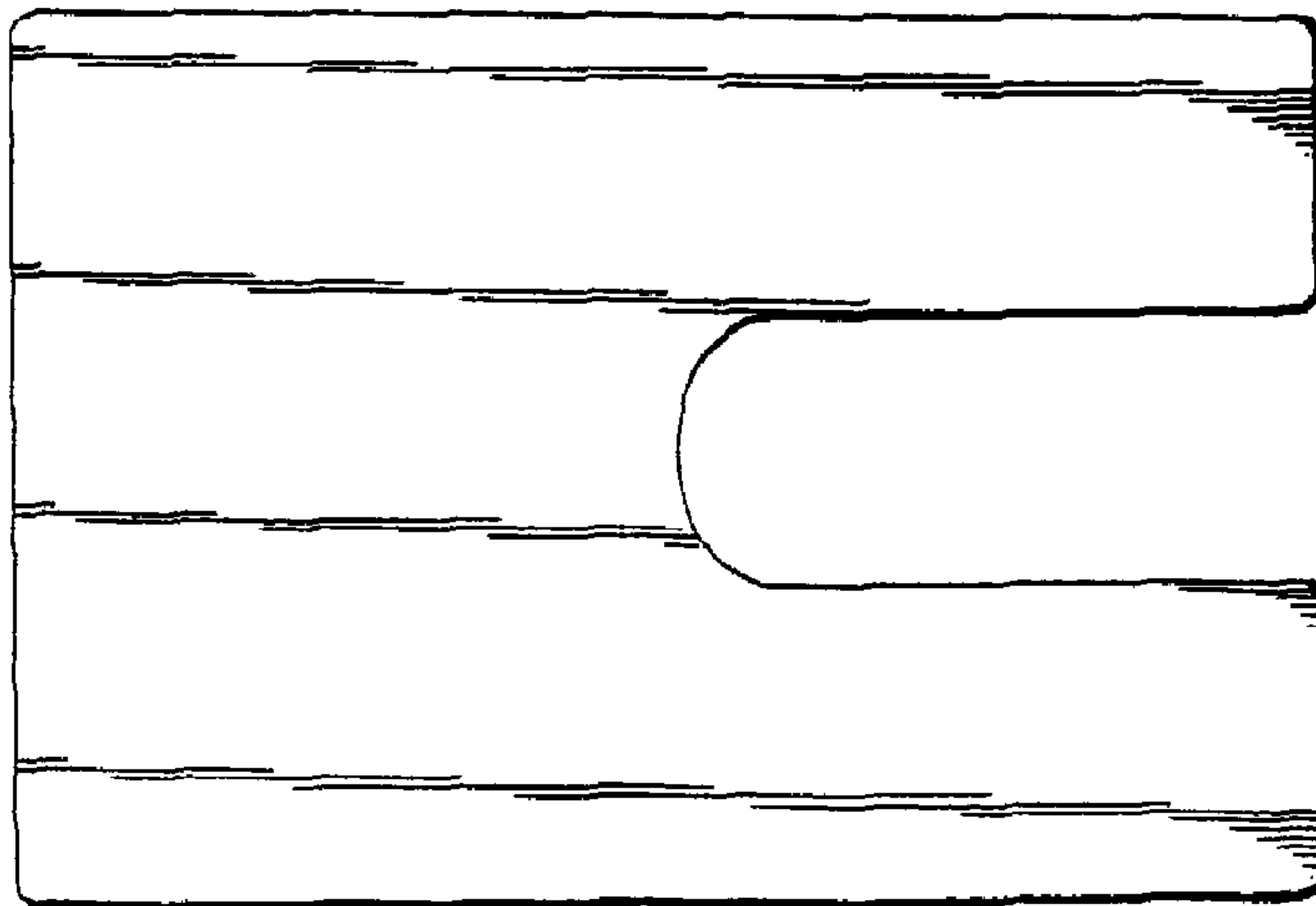


FIG. 8

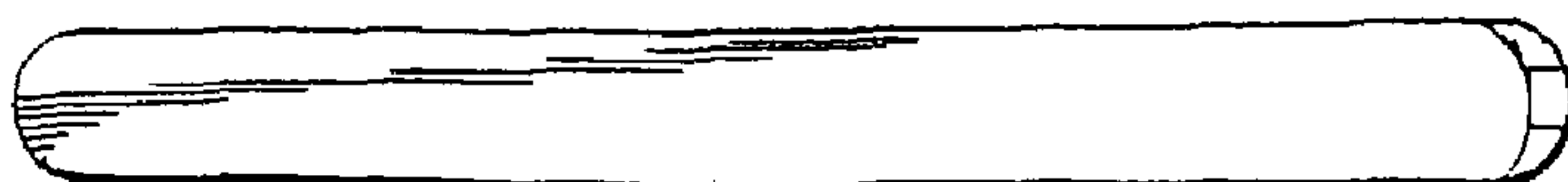


FIG. 9

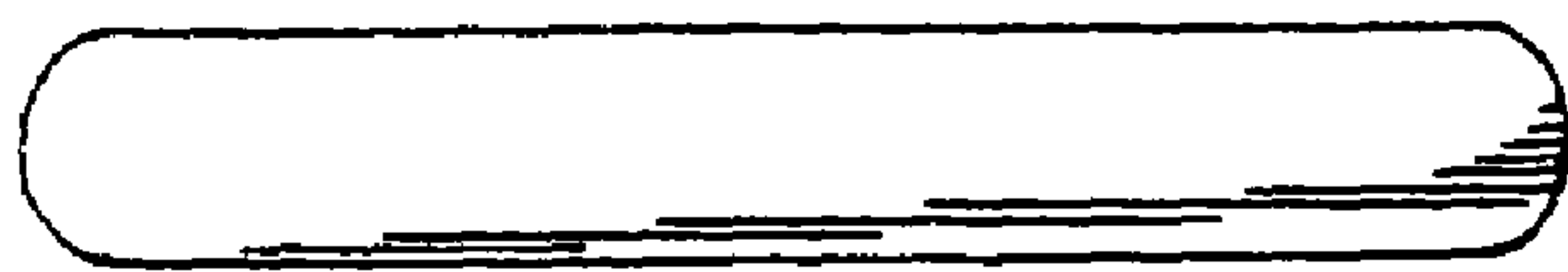


FIG. 10

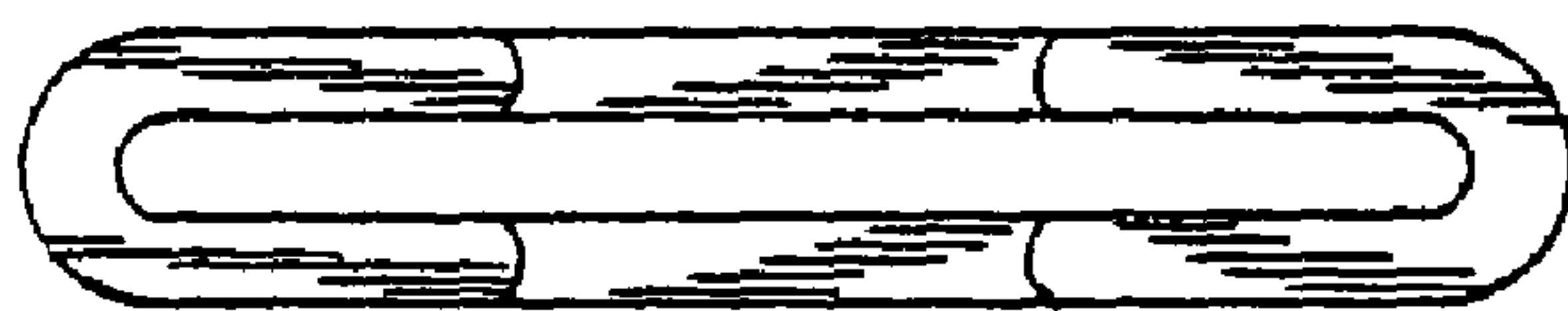


FIG. 11

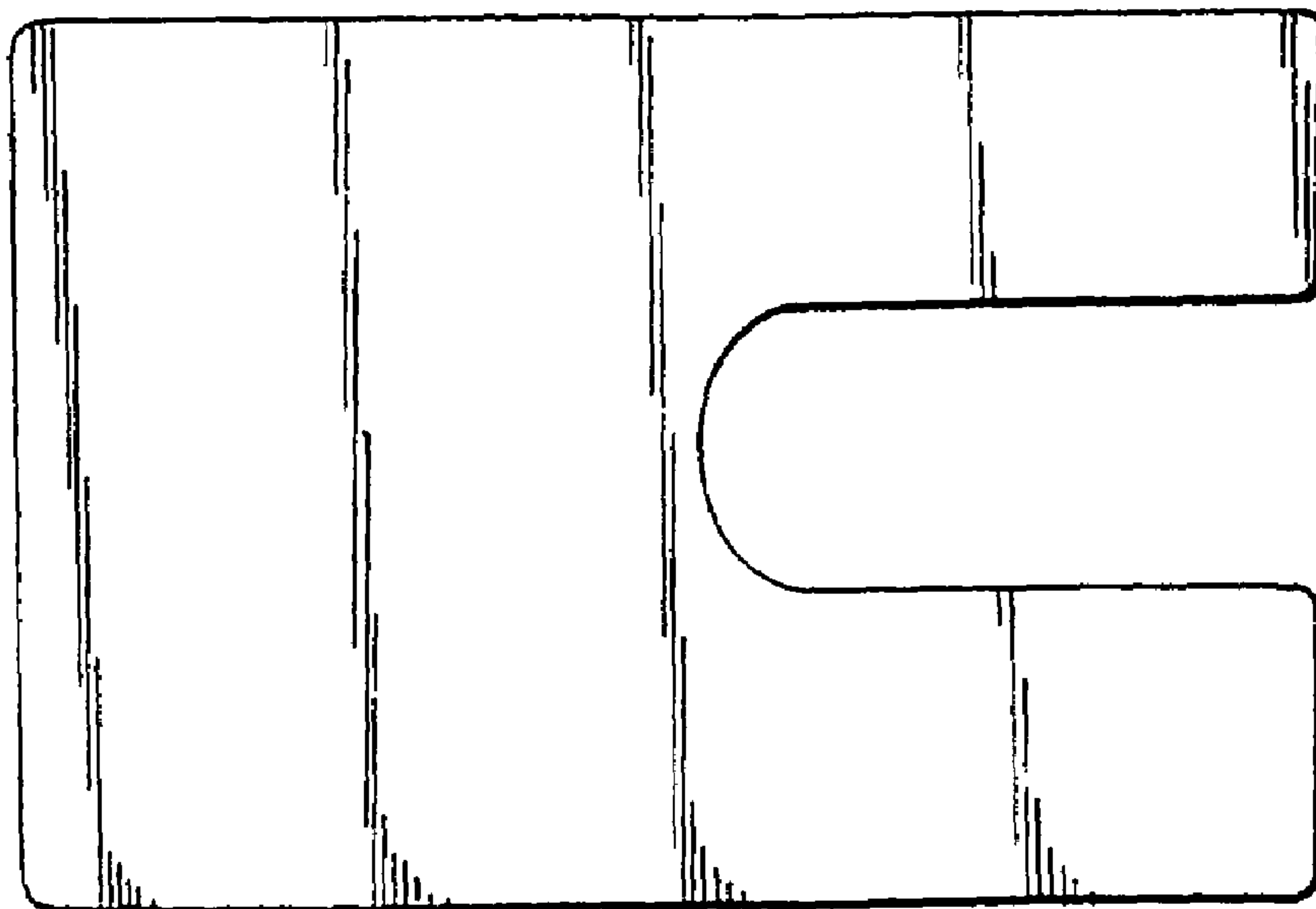


FIG. 12