

US00D628764S

(12) **United States Design Patent**  
**Bleck et al.**

(10) **Patent No.:** **US D628,764 S**  
(45) **Date of Patent:** **\*\* Dec. 7, 2010**

(54) **DATA-PROCESSING SYSTEM**

(75) Inventors: **Frank Bleck**, Paderborn (DE); **Udo Hesselbach**, Bueren (DE); **Bernd Kruse**, Altenbeken (DE); **Gregor Pollmann**, Paderborn (DE)

(73) Assignee: **Wincor Nixdorf International GmbH** (DE)

(\*\*) Term: **14 Years**

(21) Appl. No.: **29/359,934**

(22) Filed: **Apr. 16, 2010**

(30) **Foreign Application Priority Data**

Oct. 21, 2009 (EM) ..... 001626383  
Oct. 22, 2009 (EM) ..... 001626854

(51) **LOC (9) Cl.** ..... **20-01**

(52) **U.S. Cl.** ..... **D99/28**; D14/307; D14/900;  
D14/901; D14/902

(58) **Field of Classification Search** ..... D14/32-307,  
D14/371, 373, 374, 336, 341, 125-127, 129,  
D14/900-902; D13/163; D20/10; D21/329,  
D21/332, 325, 369, 370; D99/28; D6/402,  
D6/309, 310; D18/4.1-4.6; 235/379; 271/164;  
705/43, 715; 194/206; 361/679.1, 679.02,  
361/679.04, 679.21, 679.57, 724

See application file for complete search history.

(56) **References Cited**

**U.S. PATENT DOCUMENTS**

D354,609 S \* 1/1995 Merrill et al. .... D99/28  
D411,905 S \* 7/1999 Molander et al. .... D99/28  
D444,608 S \* 7/2001 Kit ..... D99/28  
D455,536 S \* 4/2002 Lowe ..... D99/28  
D472,362 S \* 3/2003 Zerman et al. .... D99/28  
D485,417 S \* 1/2004 Magee et al. .... D99/28  
D487,834 S \* 3/2004 Zerman et al. .... D99/28

(Continued)

**OTHER PUBLICATIONS**

U.S. Appl. No. 29/359,915, filed Apr. 16, 2010, Frank Bleck et al.

(Continued)

*Primary Examiner*—Cathron C Brooks

*Assistant Examiner*—Deanna Fluegeman

(74) *Attorney, Agent, or Firm*—Harness, Dickey & Pierce, P.L.C.

(57) **CLAIM**

The ornamental design for a data-processing system, as shown and described.

**DESCRIPTION**

FIG. 1 is a perspective view of the data-processing system of our new design, as viewed from the left side;

FIG. 2 is a perspective view thereof, as viewed from the right side;

FIG. 3 is a front view thereof;

FIG. 4 is a perspective view of the data-processing system of our new design shown with a first alternate unclaimed environment, as viewed from the left side;

FIG. 5 is a perspective view thereof, as viewed from the right side;

FIG. 6 is a front view thereof;

FIG. 7 is another perspective view of the data-processing system of our new design shown with a second alternate unclaimed environment, as viewed from the left side;

FIG. 8 is a perspective view thereof, as viewed from the right side;

FIG. 9 is a front view thereof;

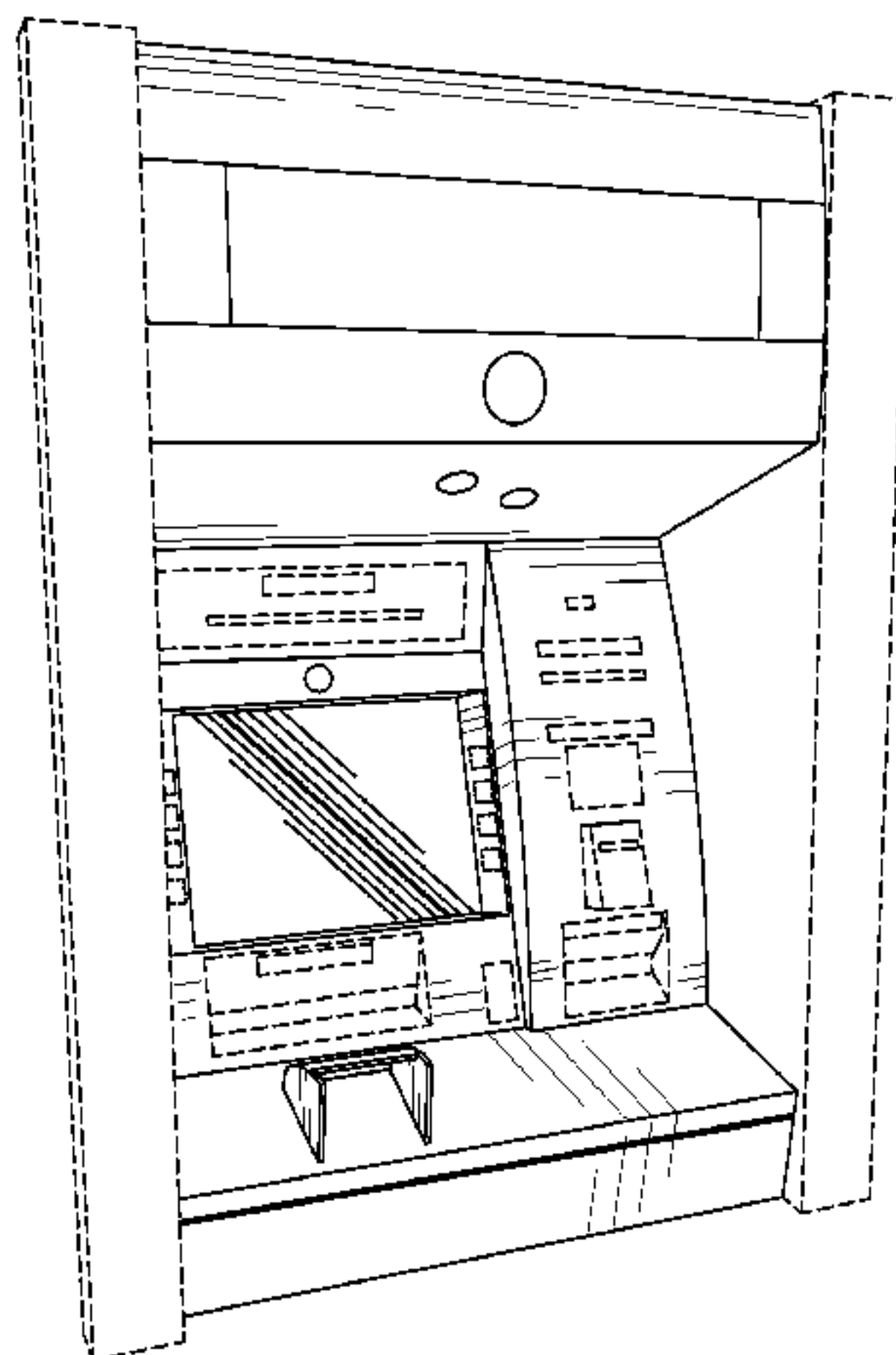
FIG. 10 is another perspective view of the data-processing system of our new design shown with a third alternate unclaimed environment, as viewed from the left side;

FIG. 11 is a perspective view thereof, as viewed from the right side; and,

FIG. 12 is a front view thereof.

The broken lines in the drawings illustrate unclaimed environment and form no part of the claimed design.

**1 Claim, 12 Drawing Sheets**



# US D628,764 S

Page 2

---

## U.S. PATENT DOCUMENTS

D488,280 S \* 4/2004 Zerman et al. .... D99/28  
D492,080 S \* 6/2004 Magee et al. .... D99/28  
D492,081 S \* 6/2004 Magee et al. .... D99/28  
D492,082 S \* 6/2004 Magee et al. .... D99/28  
D500,905 S \* 1/2005 Magee et al. .... D99/28  
7,004,385 B1 \* 2/2006 Douglass ..... 235/379  
7,040,534 B2 \* 5/2006 Turocy et al. .... 235/379  
7,131,576 B2 \* 11/2006 Utz et al. .... 235/379  
7,229,009 B1 \* 6/2007 Parsons et al. .... 235/379  
7,284,692 B1 \* 10/2007 Douglass ..... 235/379  
D558,425 S \* 12/2007 Dias ..... D99/28

7,306,142 B2 \* 12/2007 Magee et al. .... 235/379  
D589,048 S \* 3/2009 Nossek ..... D14/455  
D590,575 S \* 4/2009 Bleck ..... D99/43  
D597,275 S \* 7/2009 Lee ..... D99/28  
D602,225 S \* 10/2009 Lute et al. .... D99/28

## OTHER PUBLICATIONS

U.S. Appl. No. 29/359,924, filed Apr. 16, 2010, Frank Bleck et al.  
U.S. Appl. No. 29/359,928, filed Apr. 16, 2010, Frank Bleck et al.  
ProCash 2054xe Monofunction Cash Dispenser for Outdoor and  
Lobby Installations, Wincor Nixdorf International GmbH, Jun. 2007.

\* cited by examiner

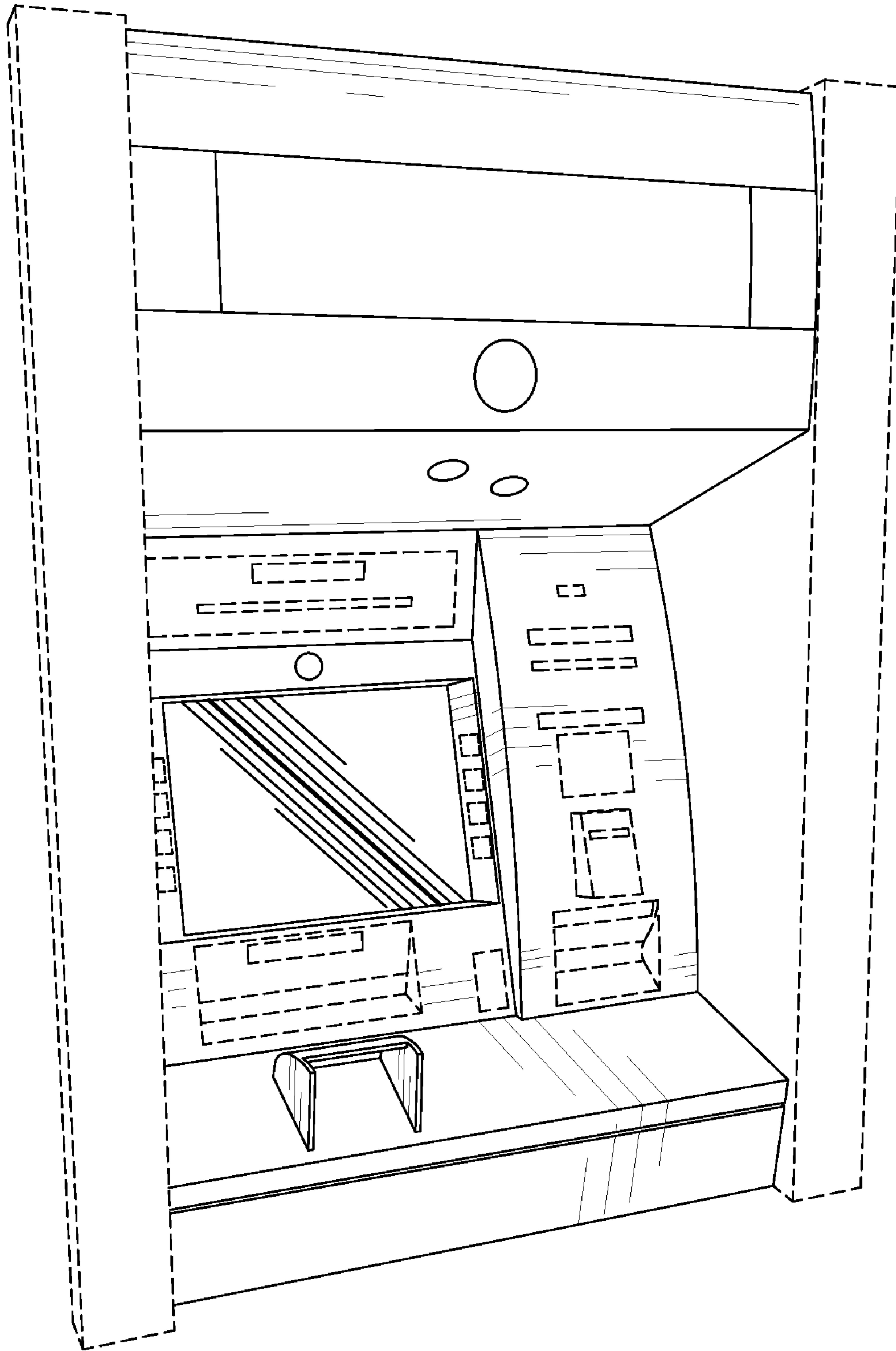


Fig-1

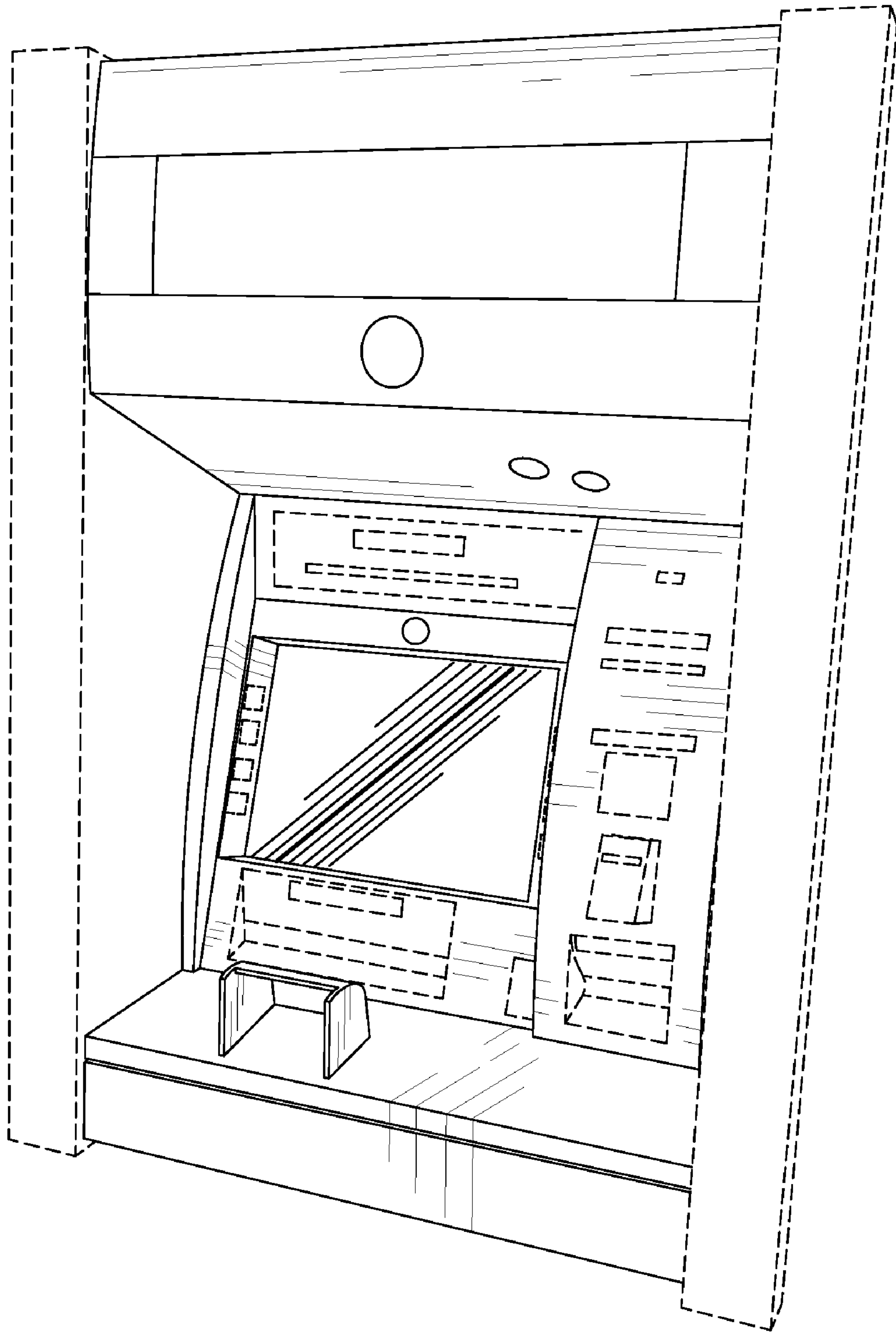


Fig-2

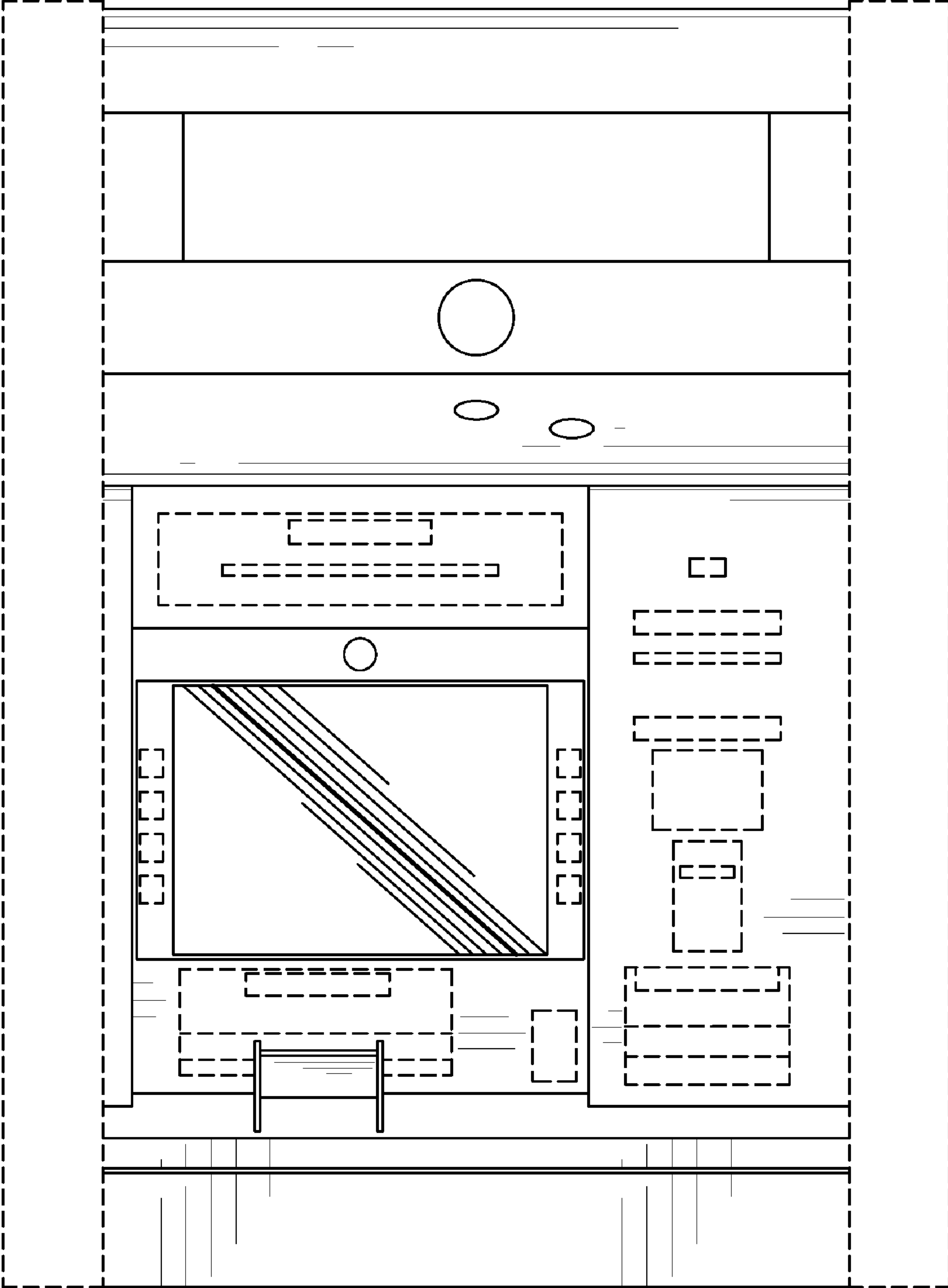


Fig-3



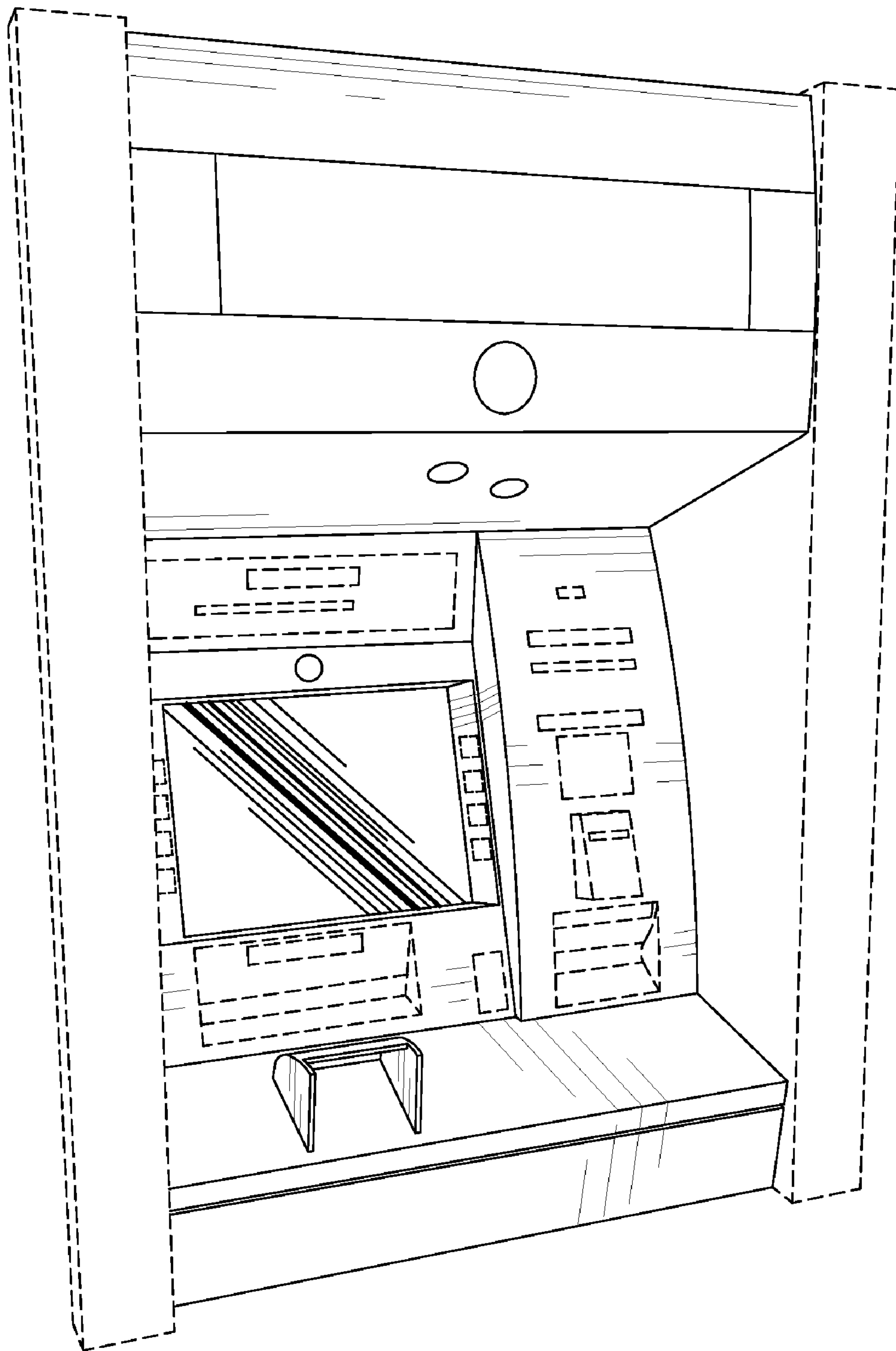


Fig-4

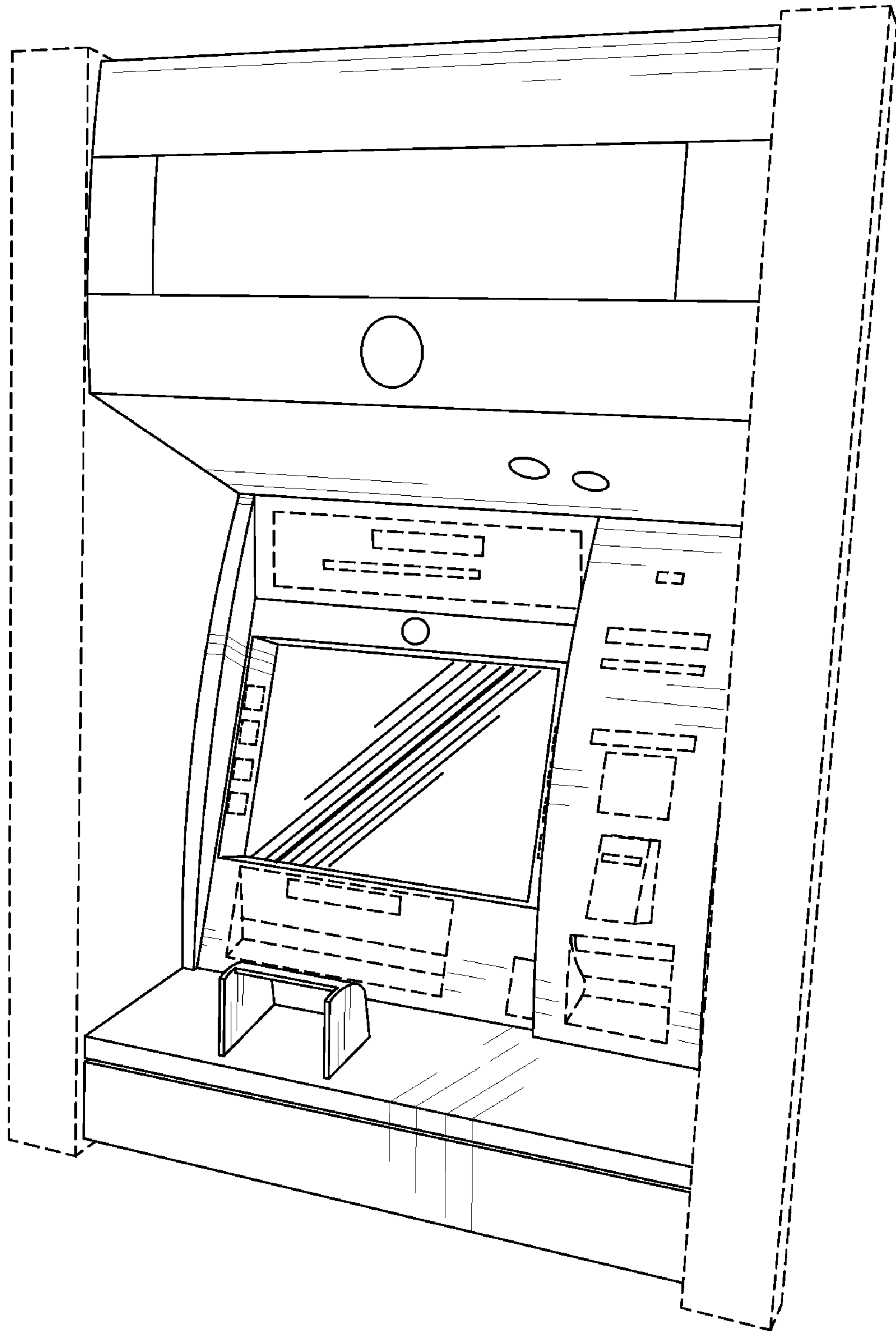


Fig-5

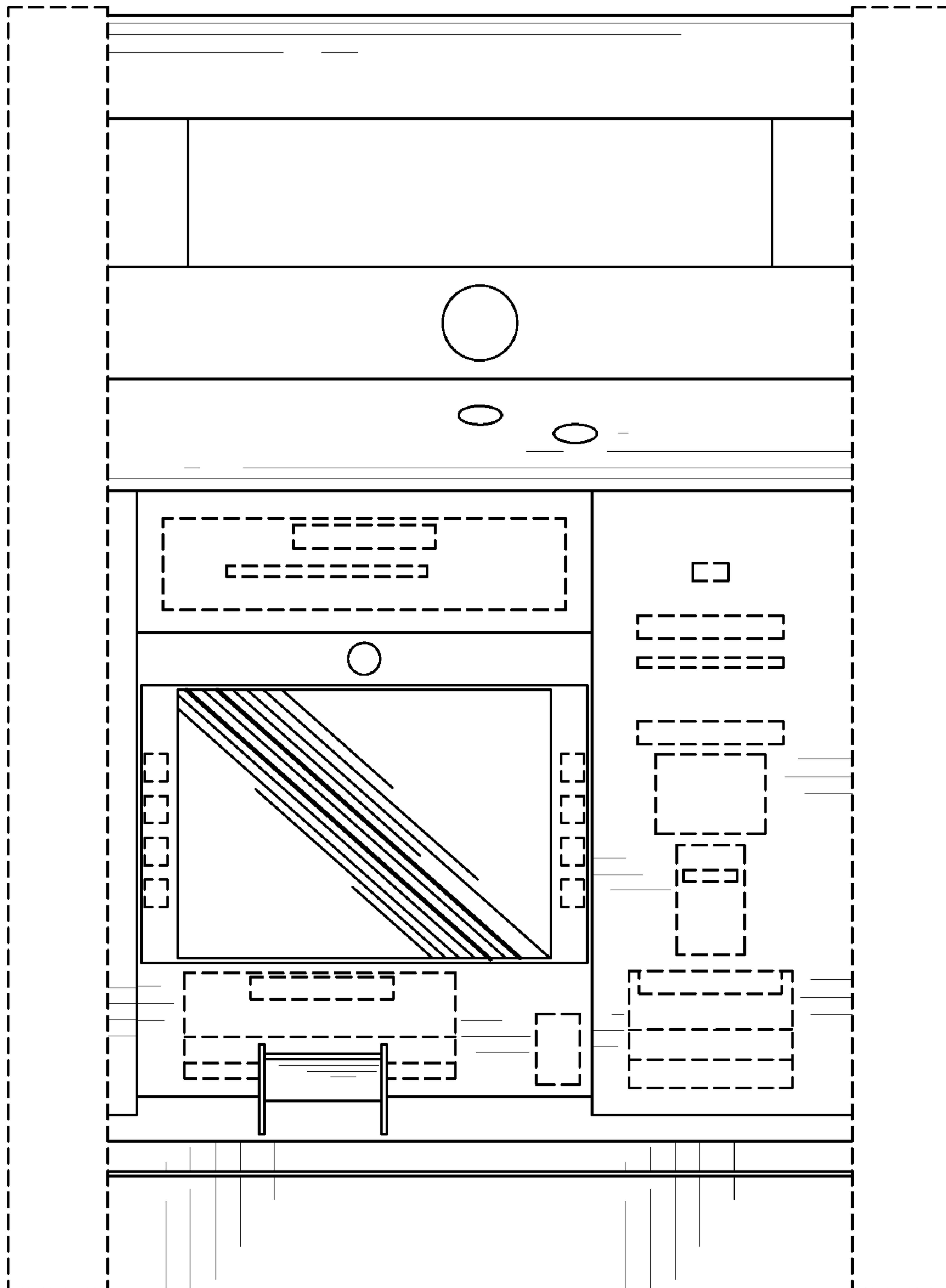


Fig-6



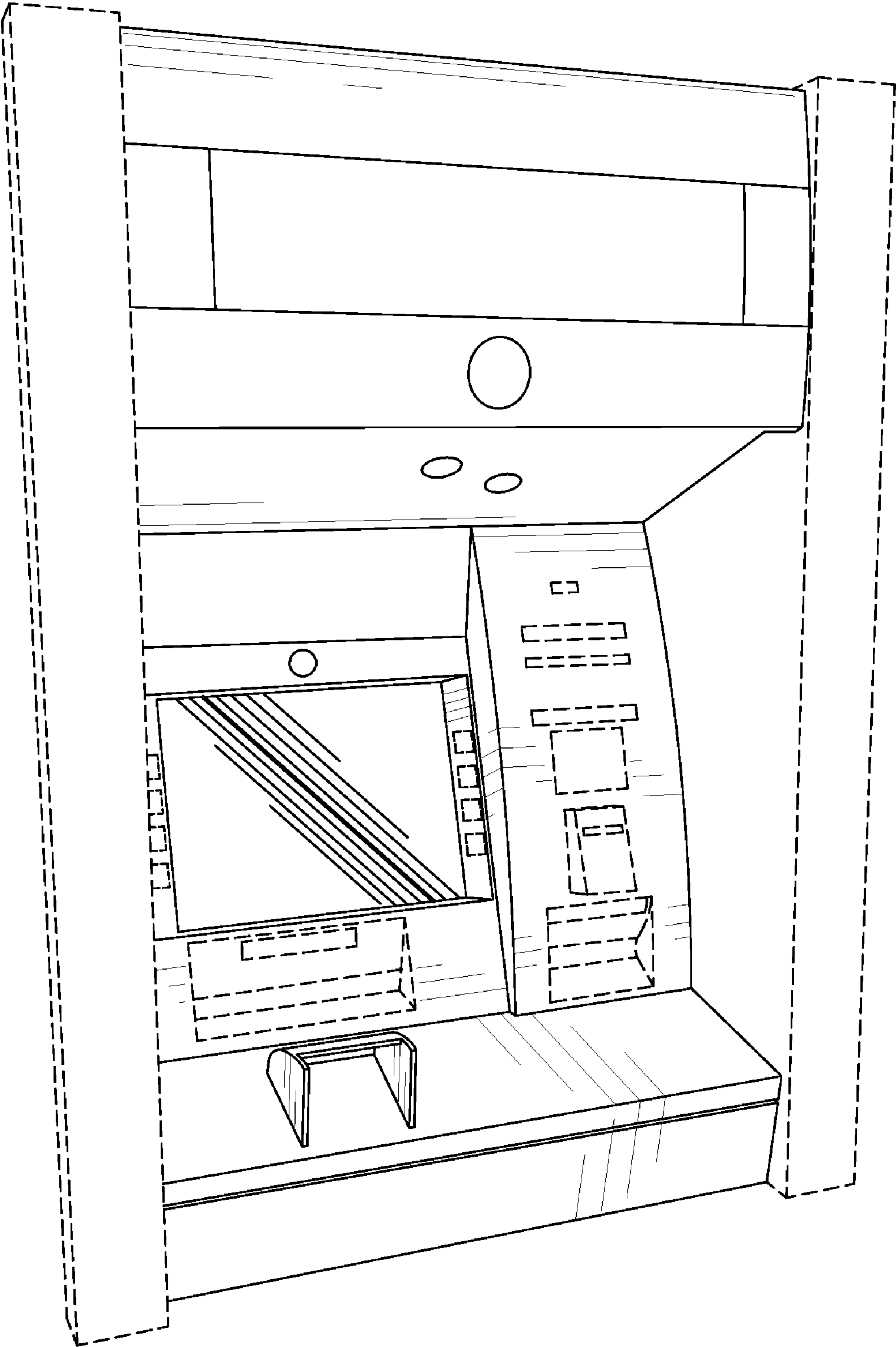


Fig-7

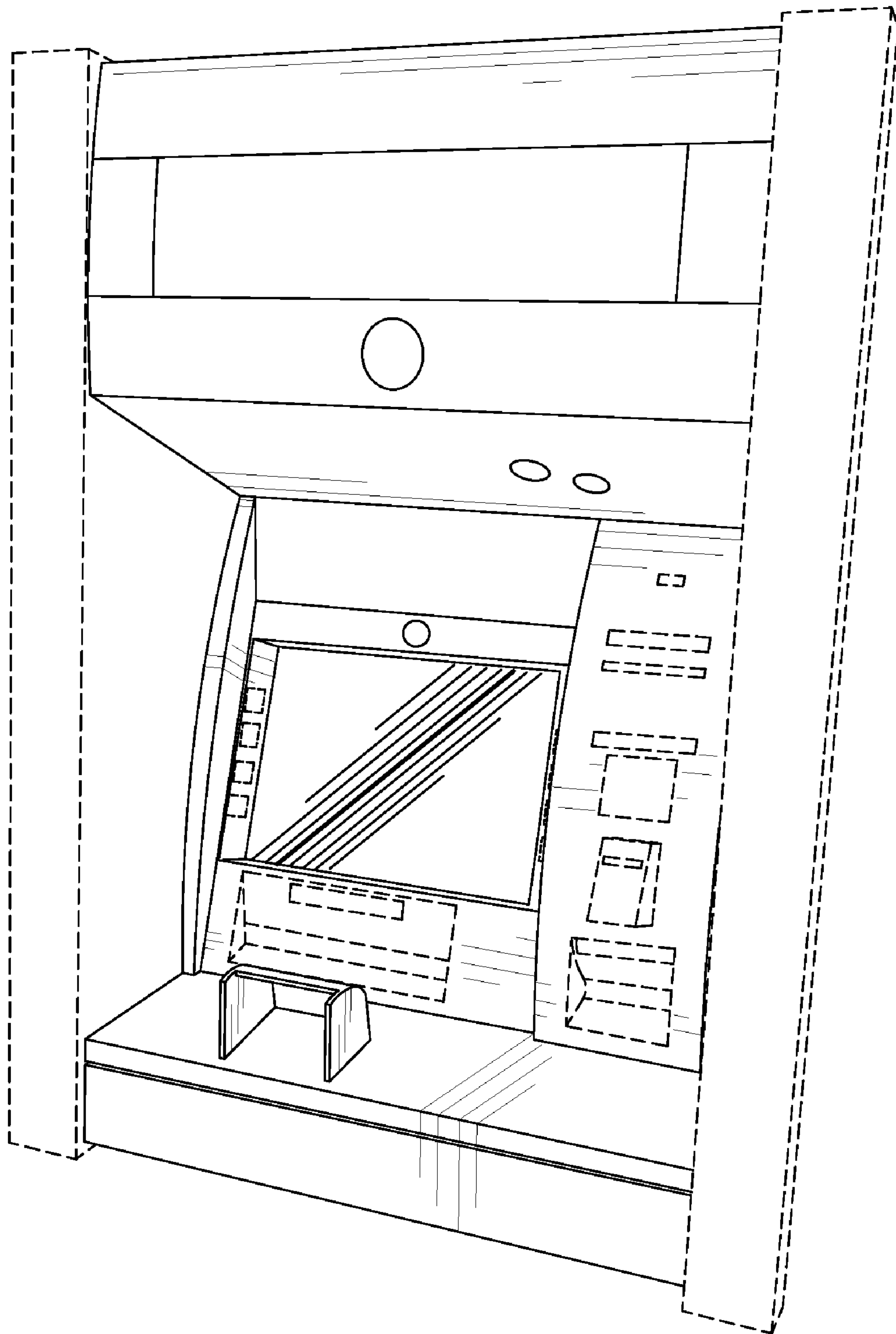


Fig-8

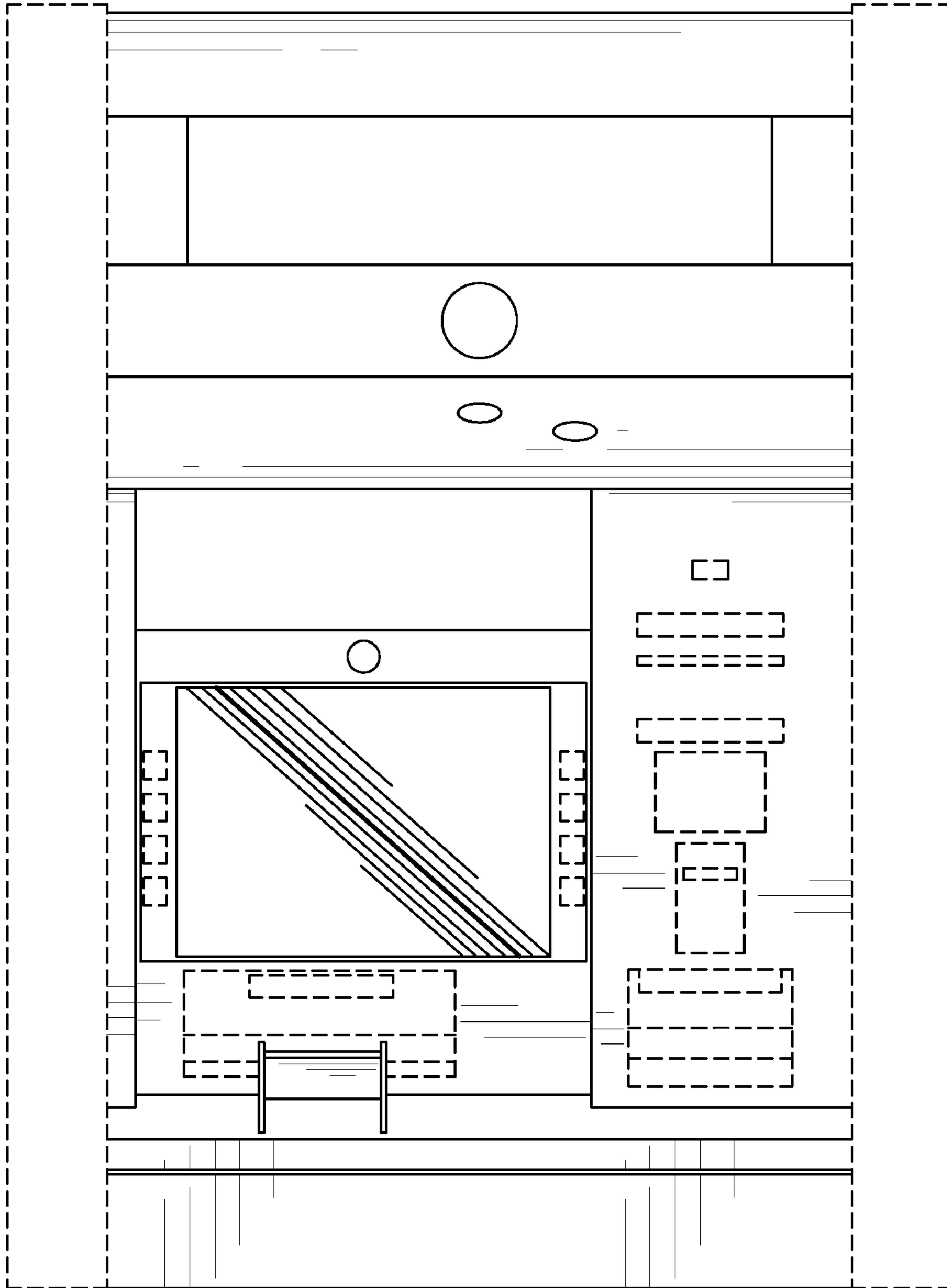


Fig-9

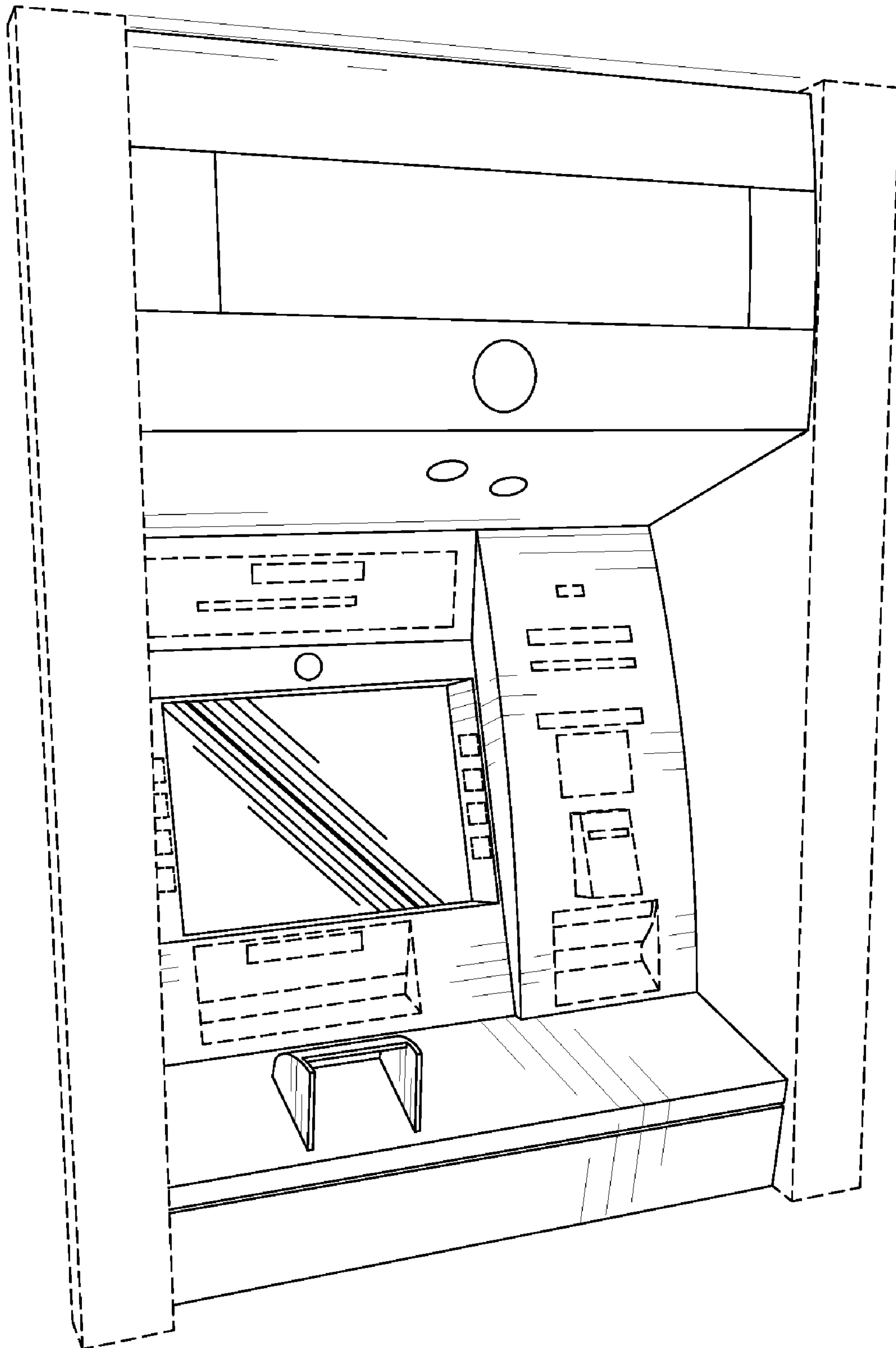


Fig-10

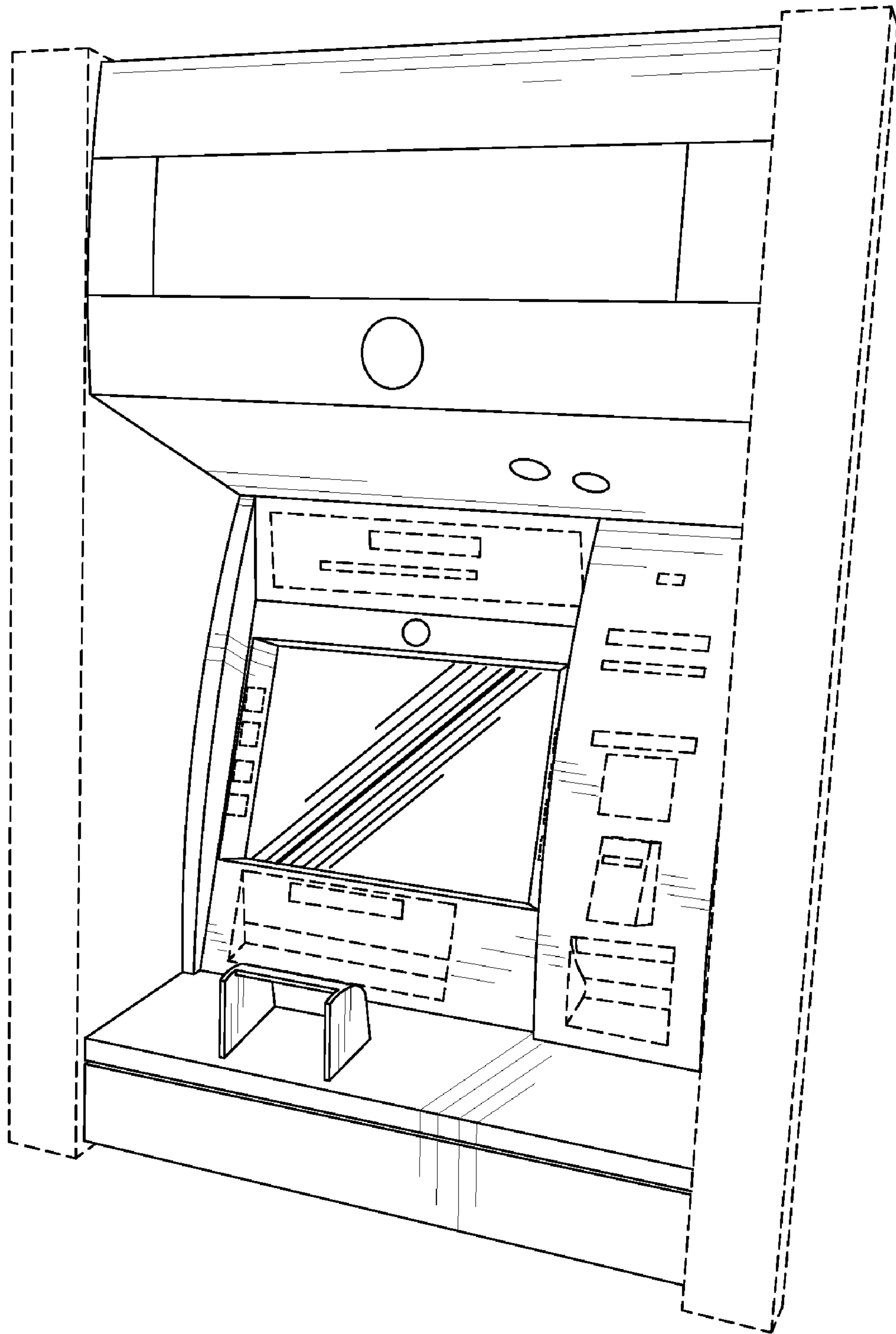


Fig-11

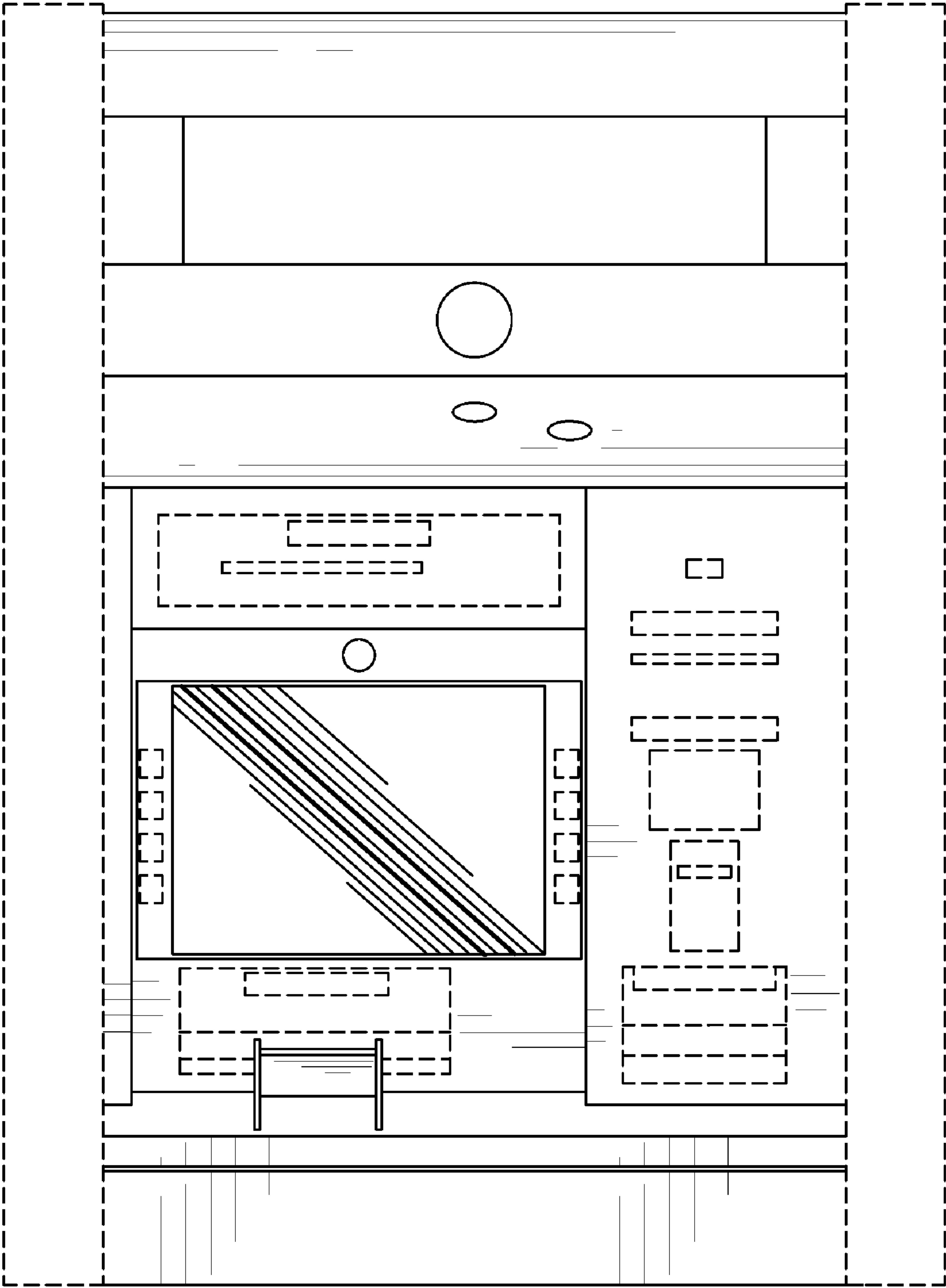


Fig-12