



US00D628761S

(12) **United States Design Patent**  
**Seagle**

(10) **Patent No.:** **US D628,761 S**  
(45) **Date of Patent:** **\*\* Dec. 7, 2010**

(54) **DUNNAGE PLATFORM DECK**

2009/0120823 A1 5/2009 Seagle

(76) Inventor: **Vance L. Seagle**, 1851 Bogey Way,  
Henderson, NV (US) 89074

(\*\*) Term: **14 Years**

(21) Appl. No.: **29/344,657**

(22) Filed: **Oct. 1, 2009**

(51) **LOC (9) Cl.** ..... **09-08**

(52) **U.S. Cl.** ..... **D34/38**

(58) **Field of Classification Search** ..... D34/38;  
108/51.11, 53.1, 53.3, 53.5

See application file for complete search history.

(56) **References Cited**

U.S. PATENT DOCUMENTS

D217,860 S *	6/1970	Bartee	.....	D34/38
D221,277 S *	7/1971	Wharton	.....	D34/38
D258,948 S *	4/1981	Stump, Jr.	.....	D34/38
D300,075 S *	2/1989	Sahm, Jr.	.....	D34/38
6,786,992 B2	9/2004	Dummett		
D521,208 S	5/2006	France		
D552,325 S *	10/2007	Dickner	.....	D34/38
D554,825 S *	11/2007	Lux, Jr.	.....	D34/38
D595,024 S *	6/2009	Banik	.....	D34/38
2008/0060561 A1 *	3/2008	Carrasco	.....	108/51.11
2008/0264304 A1 *	10/2008	Grainger	.....	108/51.11
2008/0295748 A1	12/2008	Yoshida		

OTHER PUBLICATIONS

Airdex AIRpallet™, Airdex International, <http://www.airdex.com/products.html#airpallet>, publicly available prior to Oct. 1, 2008.

“Fire Retardant Pallet Specification Sheet,” Airdex International, <http://www.airdexpallets.com/pdf/fire-retardant-pallet-specs-pdf.pdf>, indicated by Wayback Machine to have been available by Jul. 31, 2004, 1 page.

“The New AIRpallet®” flyer, Airdex International, <http://www.airdex.com/pdf/airpallet-flyer-1.pdf>, indicated by Wayback Machine to have been available by Sep. 21, 2007, 1 page.

“AIRpallet Flyer 2,” Airdex International, <http://www.airdexpallets.com/perairpallet-flyer-2.pdf>, indicated by Wayback Machine to have been available by Jul. 31, 2004, 1 page.

\* cited by examiner

*Primary Examiner*—Cynthia E Ramirez

(74) *Attorney, Agent, or Firm*—Fliesler Meyer LLP

(57) **CLAIM**

The ornamental design for a dunnage platform deck, as shown and described.

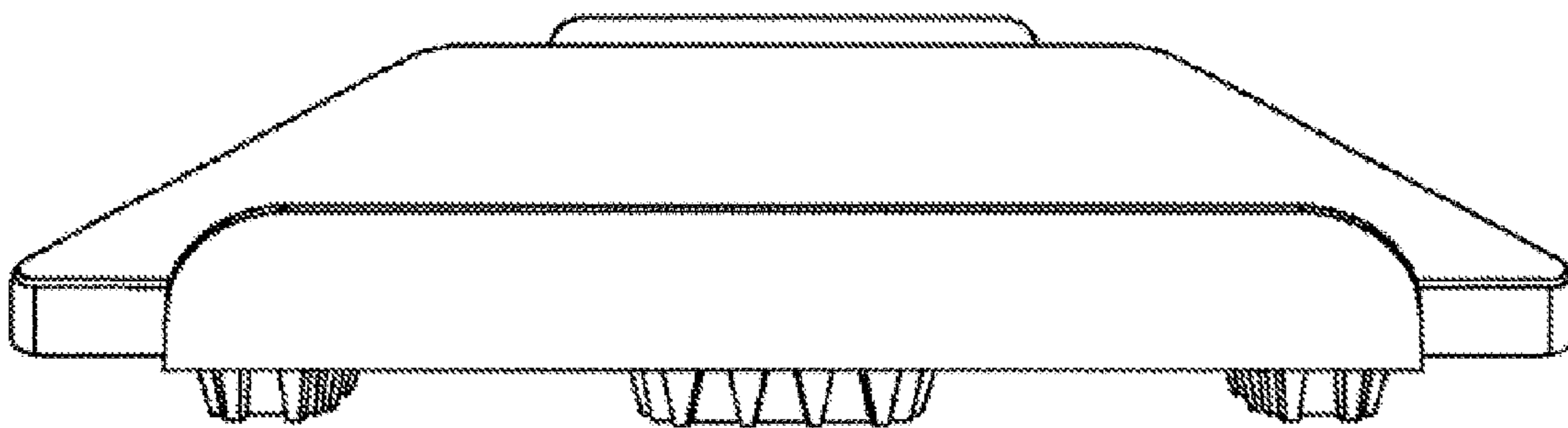
**DESCRIPTION**

FIG. 1 is a perspective view of a dunnage platform deck showing my design;

FIG. 2 is a side perspective view thereof; and,

FIG. 3 is a bottom perspective view thereof.

**1 Claim, 3 Drawing Sheets**



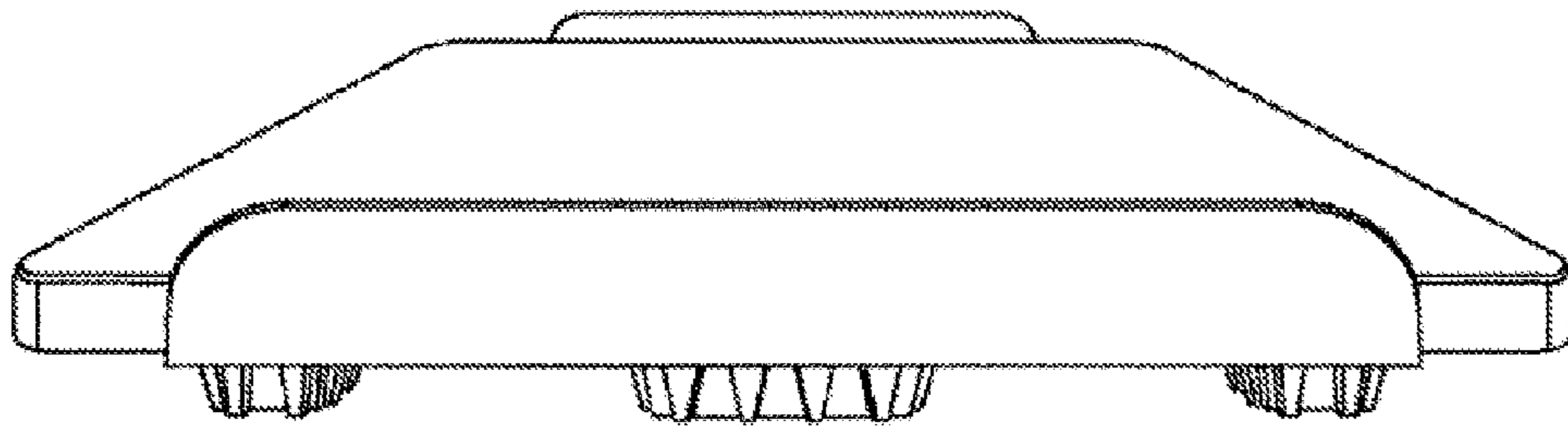


Fig. 1

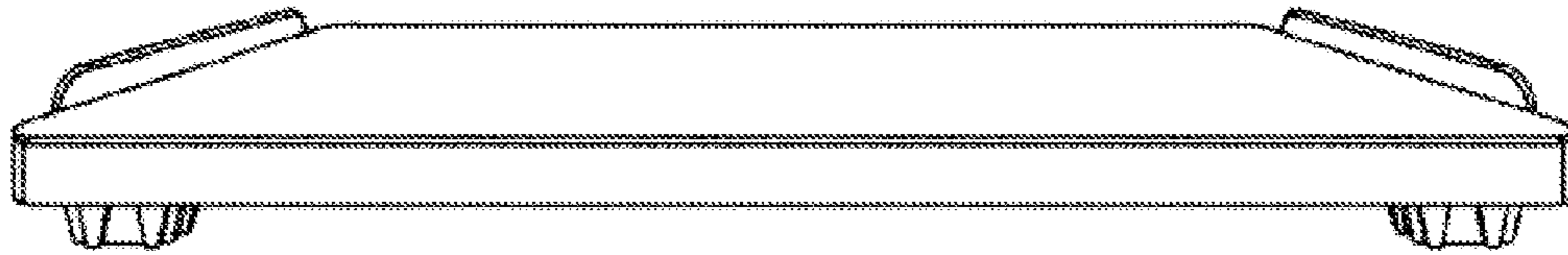


Fig. 2

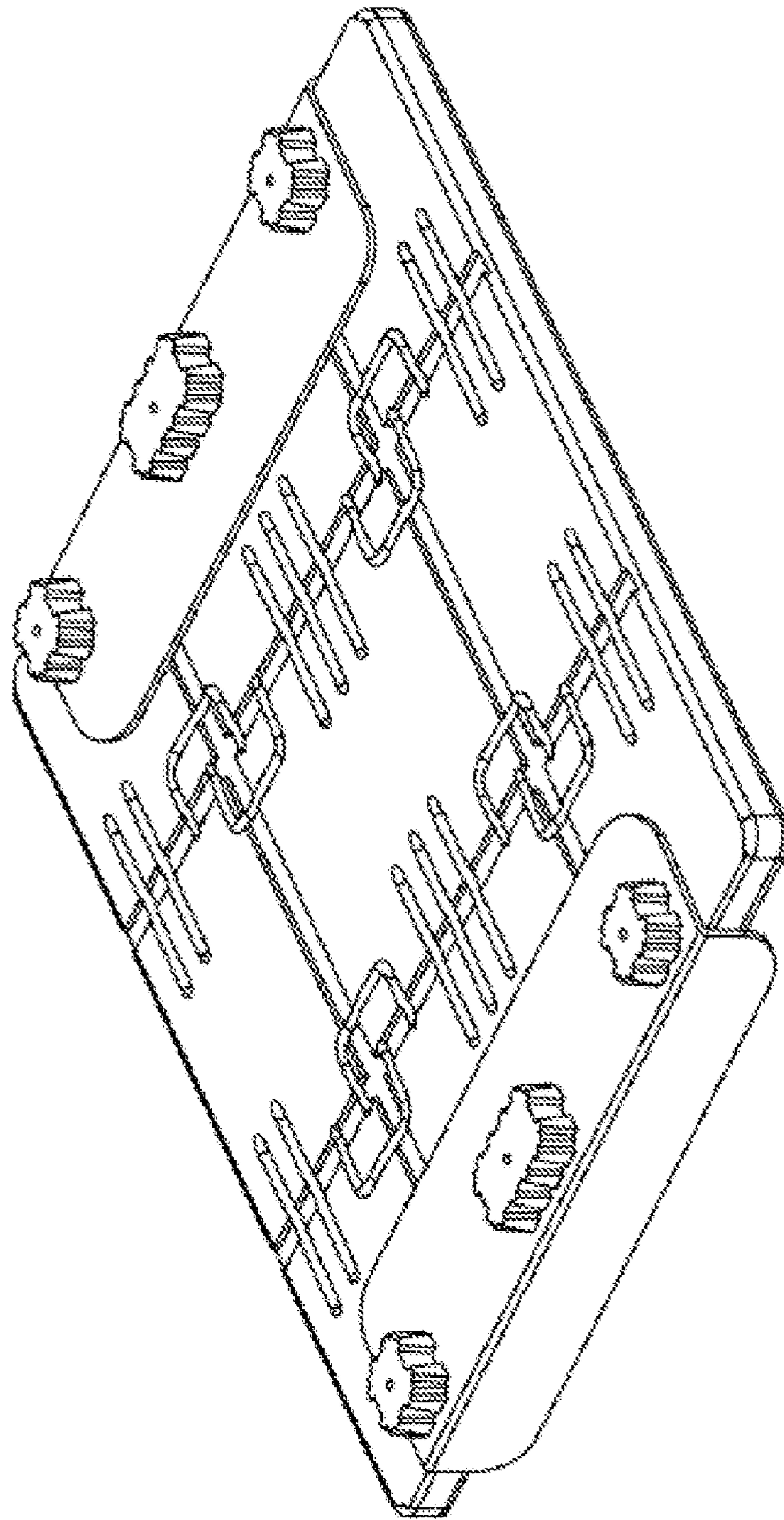


Fig. 3