



US00D628755S

(12) **United States Design Patent**
Helot et al.

(10) **Patent No.:** **US D628,755 S**
(45) **Date of Patent:** **** Dec. 7, 2010**

(54) **LAUNDRY APPLIANCE**

(75) Inventors: **Jacques Helot**, München (DE); **Andrew Roberson**, New Bern, NC (US); **Carsten Weber**, Aalen (DE)

(73) Assignee: **BSH Home Appliances Corporation**, Huntington Beach, CA (US)

(**) Term: **14 Years**

(21) Appl. No.: **29/341,075**

(22) Filed: **Jul. 30, 2009**

(51) **LOC (9) Cl.** **15-05**

(52) **U.S. Cl.** **D32/5**

(58) **Field of Classification Search** D32/5,
D32/6, 8, 10, 1, 25; 34/523-524; 312/31;
68/3 R, 5 R, 12.01, 12.08; 38/1 A
See application file for complete search history.

(56) **References Cited**

U.S. PATENT DOCUMENTS

D365,224 S * 12/1995 Pohlman D6/445

(Continued)

Primary Examiner—T. Chase Nelson

Assistant Examiner—Kathleen M Sims

(74) *Attorney, Agent, or Firm*—James E. Howard; Andre Pallapies

(57) **CLAIM**

The ornamental design for a laundry appliance, as shown and described.

DESCRIPTION

FIG. 1 is a front, right side, perspective view of a first embodiment of a laundry appliance showing our new design;

FIG. 2 is a FRONT view thereof;

FIG. 3 is a LEFT SIDE view thereof;

FIG. 4 is a RIGHT SIDE view thereof;

FIG. 5 is a TOP view thereof;

FIG. 6 is a front, right side, perspective view of a second embodiment of a laundry appliance showing our new design;

FIG. 7 is a FRONT view thereof;

FIG. 8 is a LEFT SIDE view thereof;

FIG. 9 is a RIGHT SIDE view thereof;

FIG. 10 is a TOP view thereof;

FIG. 11 is a front, right side, perspective view of a third embodiment of a laundry appliance showing our new design;

FIG. 12 is a FRONT view thereof;

FIG. 13 is a LEFT SIDE view thereof;

FIG. 14 is a RIGHT SIDE view thereof;

FIG. 15 is a TOP view thereof;

FIG. 16 is a front, right side, perspective view of a fourth embodiment of a laundry appliance showing our new design;

FIG. 17 is a FRONT view thereof;

FIG. 18 is a LEFT SIDE view thereof;

FIG. 19 is a RIGHT SIDE view thereof;

FIG. 20 is a TOP view thereof;

FIG. 21 is a front, right side, perspective view of a fifth embodiment of a laundry appliance showing our new design;

FIG. 22 is a FRONT view thereof;

FIG. 23 is a LEFT SIDE view thereof;

FIG. 24 is a RIGHT SIDE view thereof;

FIG. 25 is a TOP view thereof;

FIG. 26 is a front, right side, perspective view of a sixth embodiment of a laundry appliance showing our new design;

FIG. 27 is a FRONT view thereof;

FIG. 28 is a LEFT SIDE view thereof;

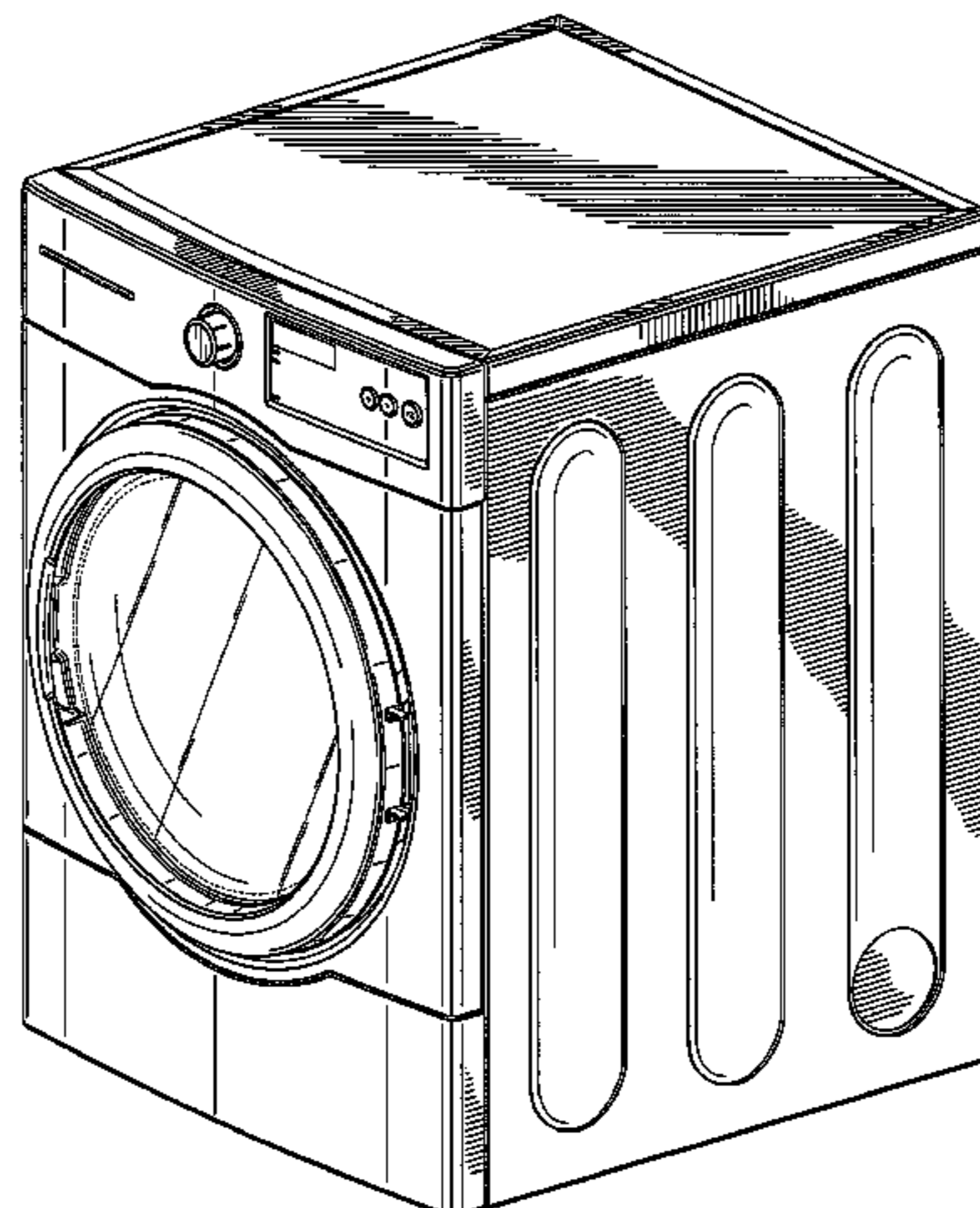
FIG. 29 is a RIGHT SIDE view thereof; and,

FIG. 30 is a TOP view thereof.

The broken lines represent environment or structure and do not form any part of the claimed design.

The rear and bottom views of each embodiment are unornamented and/or unclaimed and are therefore not provided.

1 Claim, 30 Drawing Sheets



US D628,755 S

Page 2

U.S. PATENT DOCUMENTS

D504,259 S *	4/2005	Arceta	D6/510	D551,401 S *	9/2007	Jeon et al.	D32/6
D517,255 S *	3/2006	Kim et al.	D32/5	D552,807 S *	10/2007	Jeon et al.	D32/6
D549,897 S *	8/2007	Suh	D32/6	D557,467 S *	12/2007	Kwon	D32/6
D549,899 S *	8/2007	Suh	D32/6	D570,059 S *	5/2008	Jeon et al.	D32/6
D549,902 S *	8/2007	Suh	D32/8	D572,418 S *	7/2008	Suh et al.	D32/6
				D577,161 S *	9/2008	Jeon et al.	D32/6

* cited by examiner

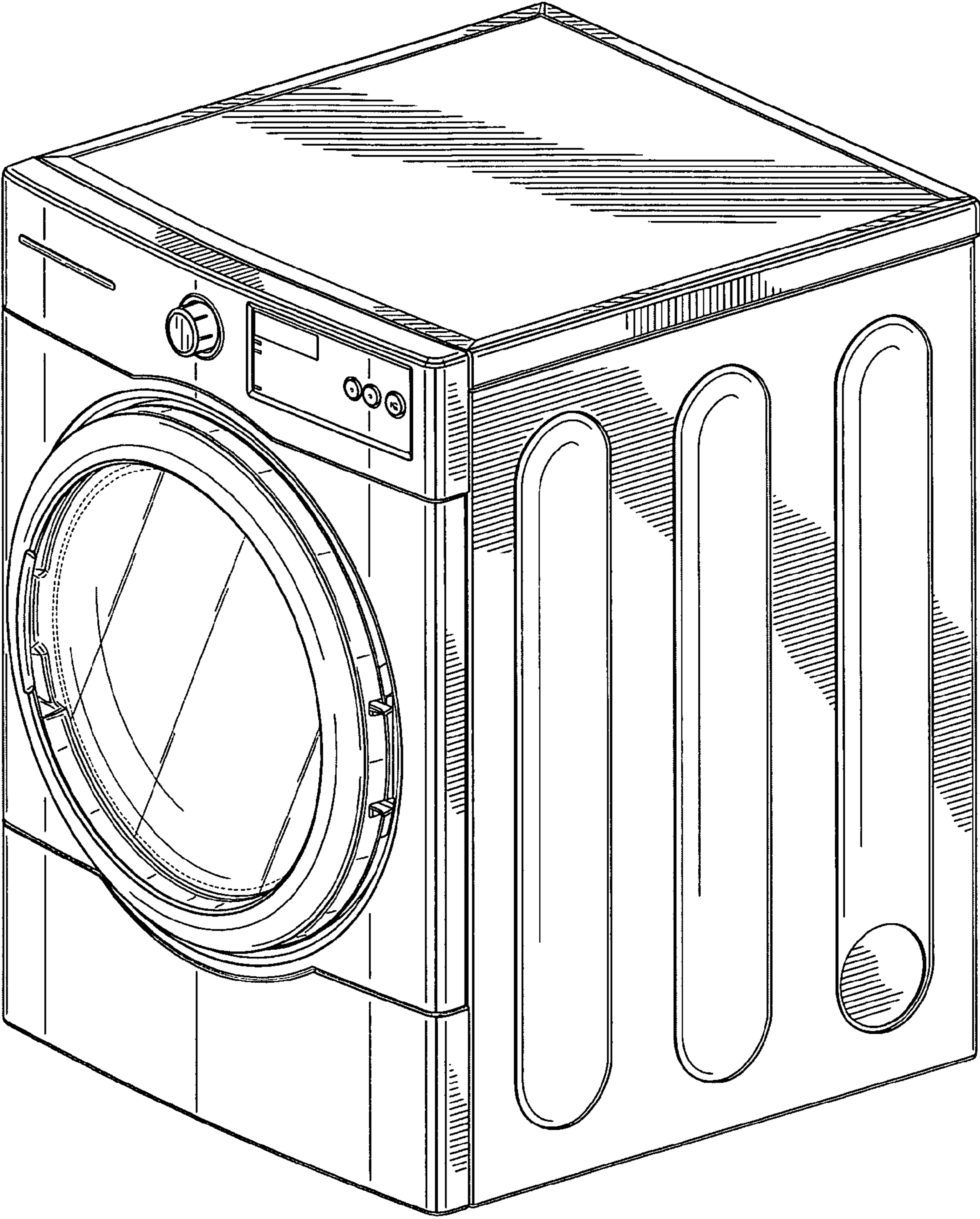


Fig. 1

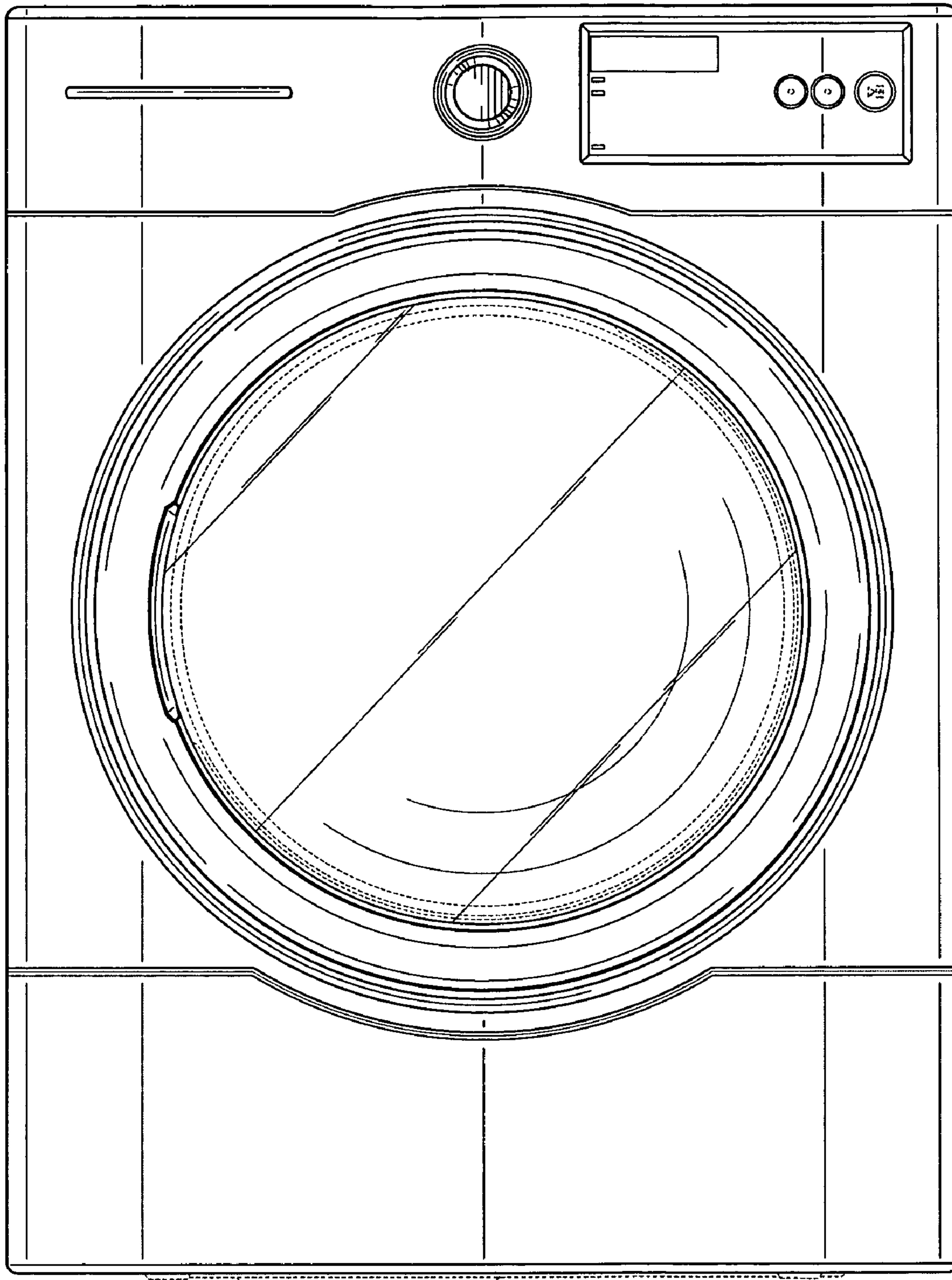


Fig. 2

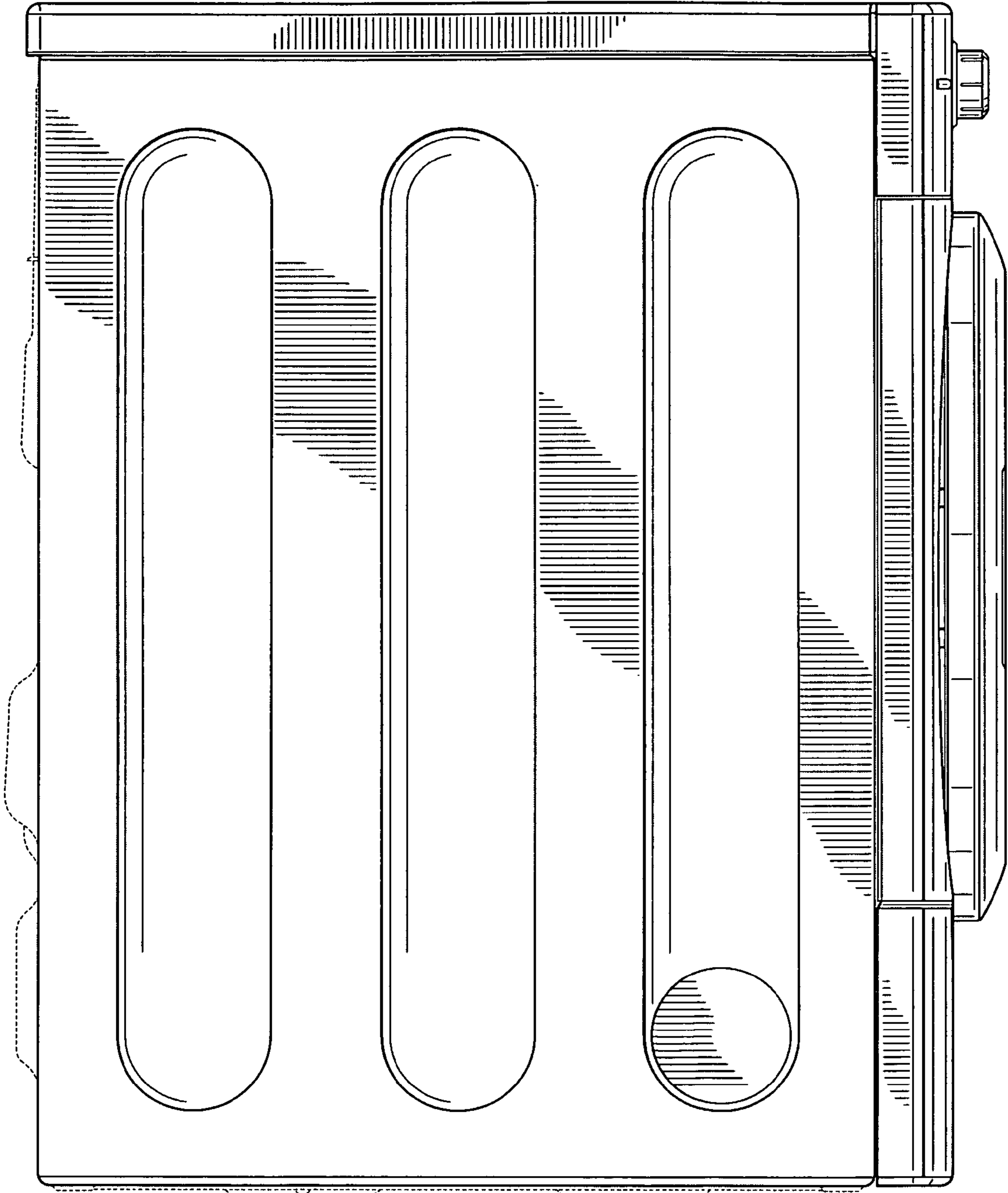


Fig. 3

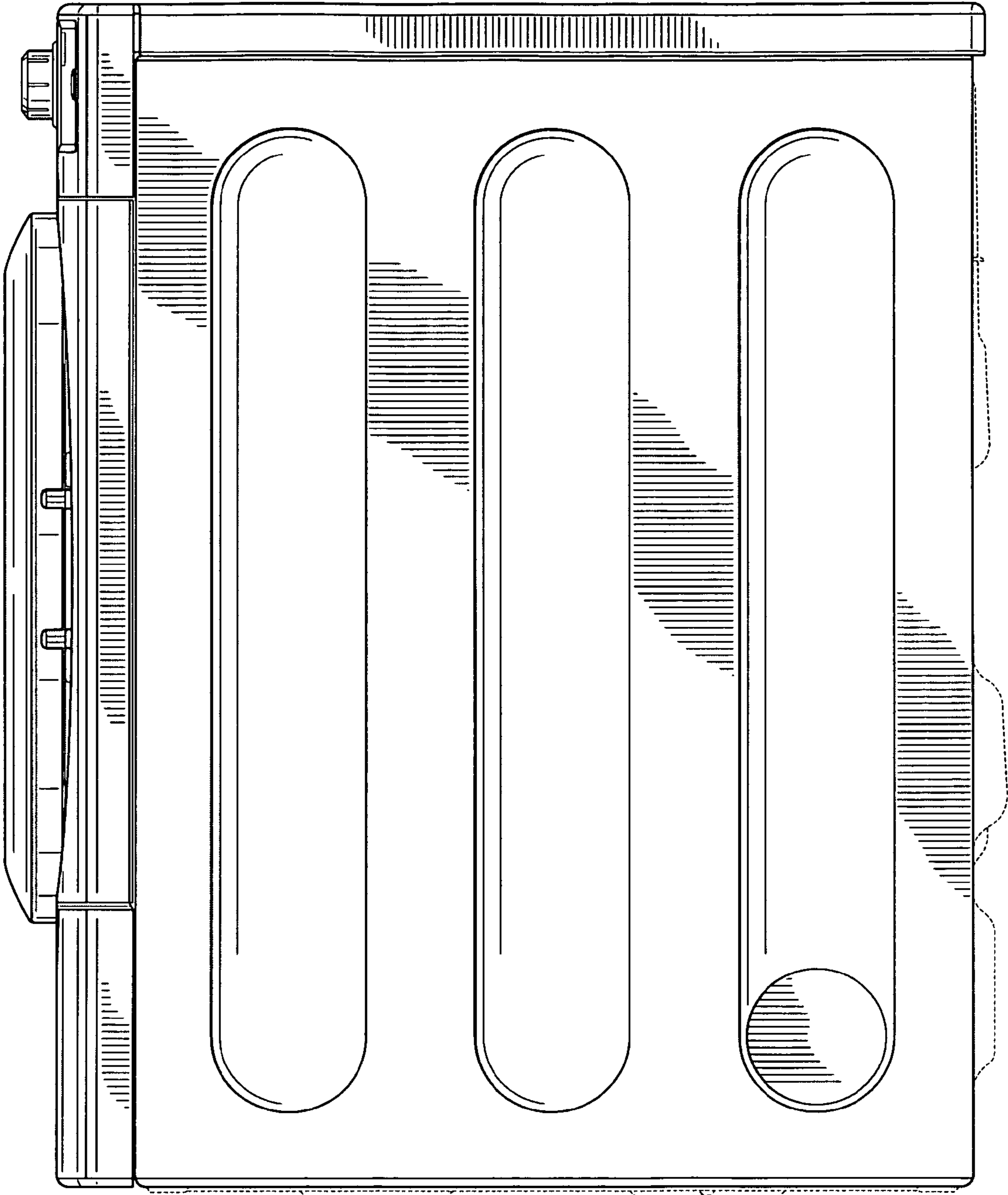


Fig. 4

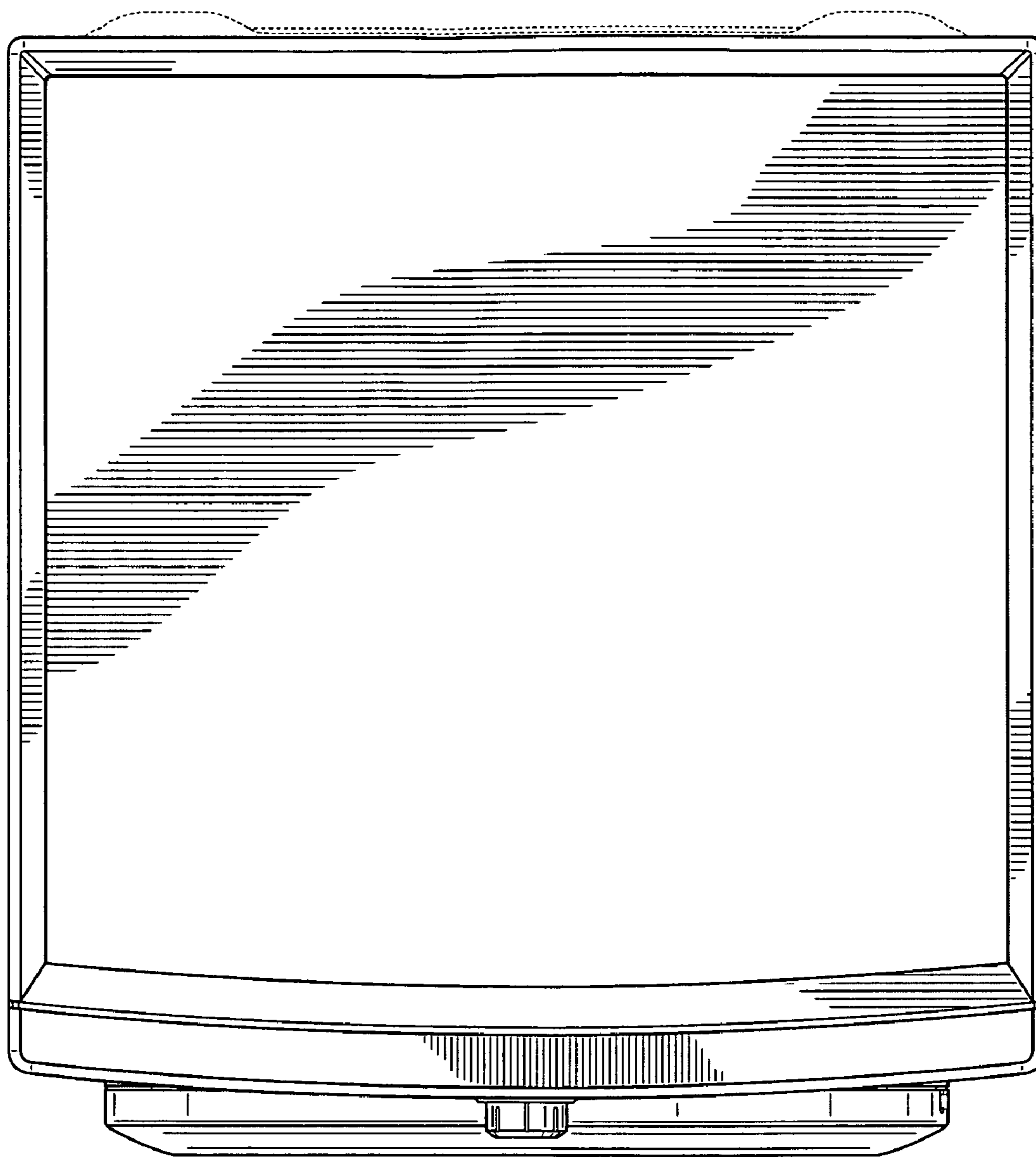


Fig. 5

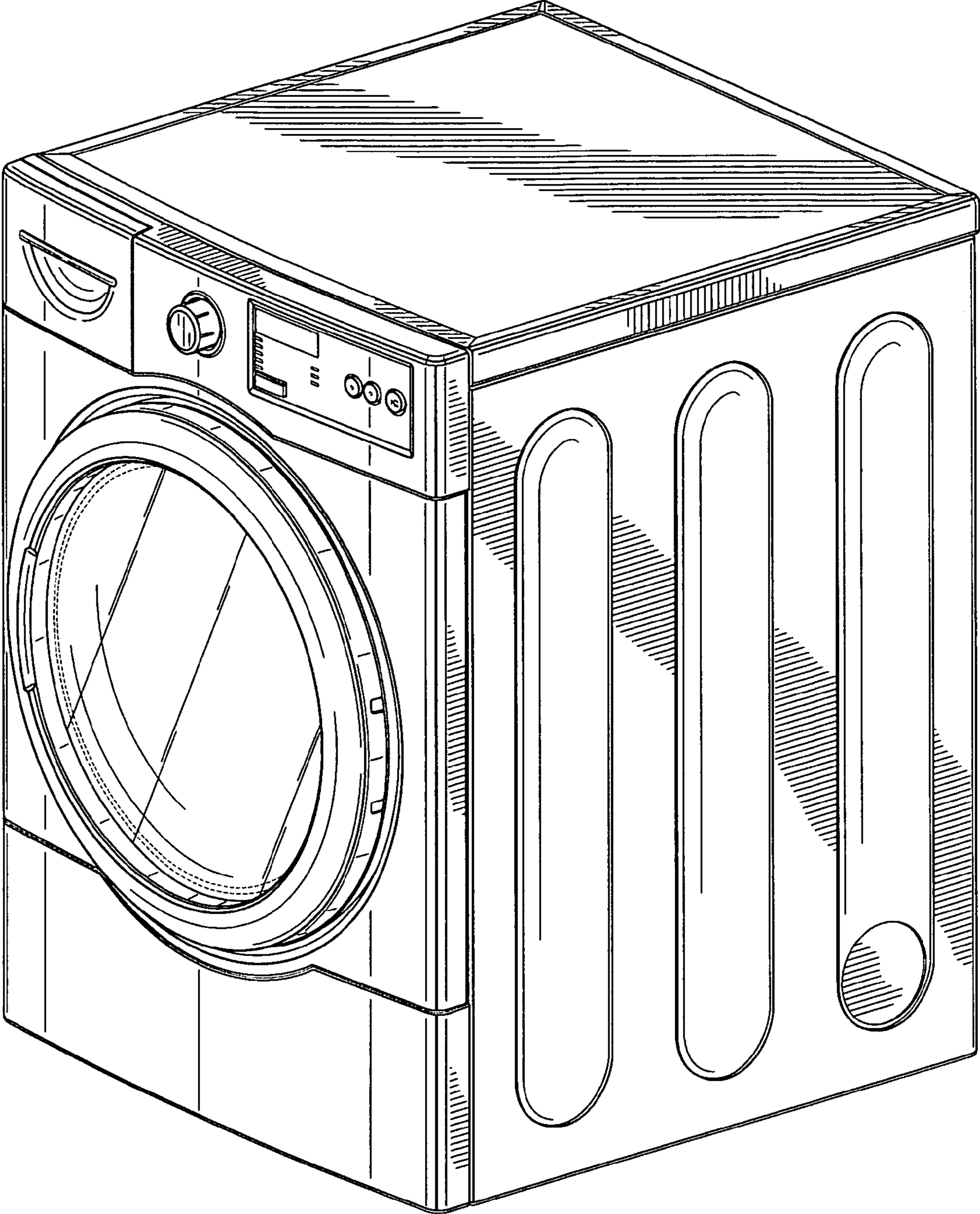


Fig. 6

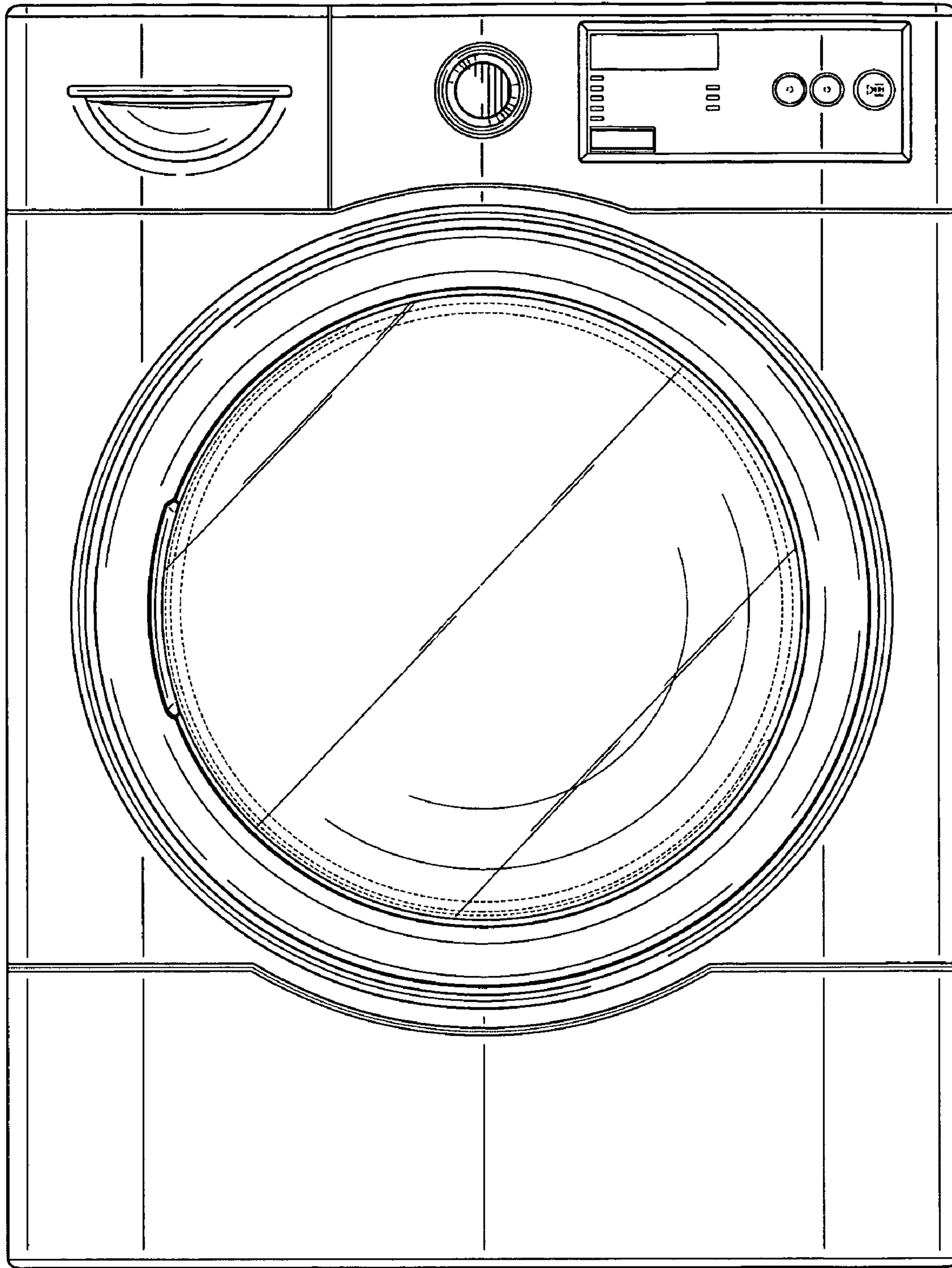


Fig. 7

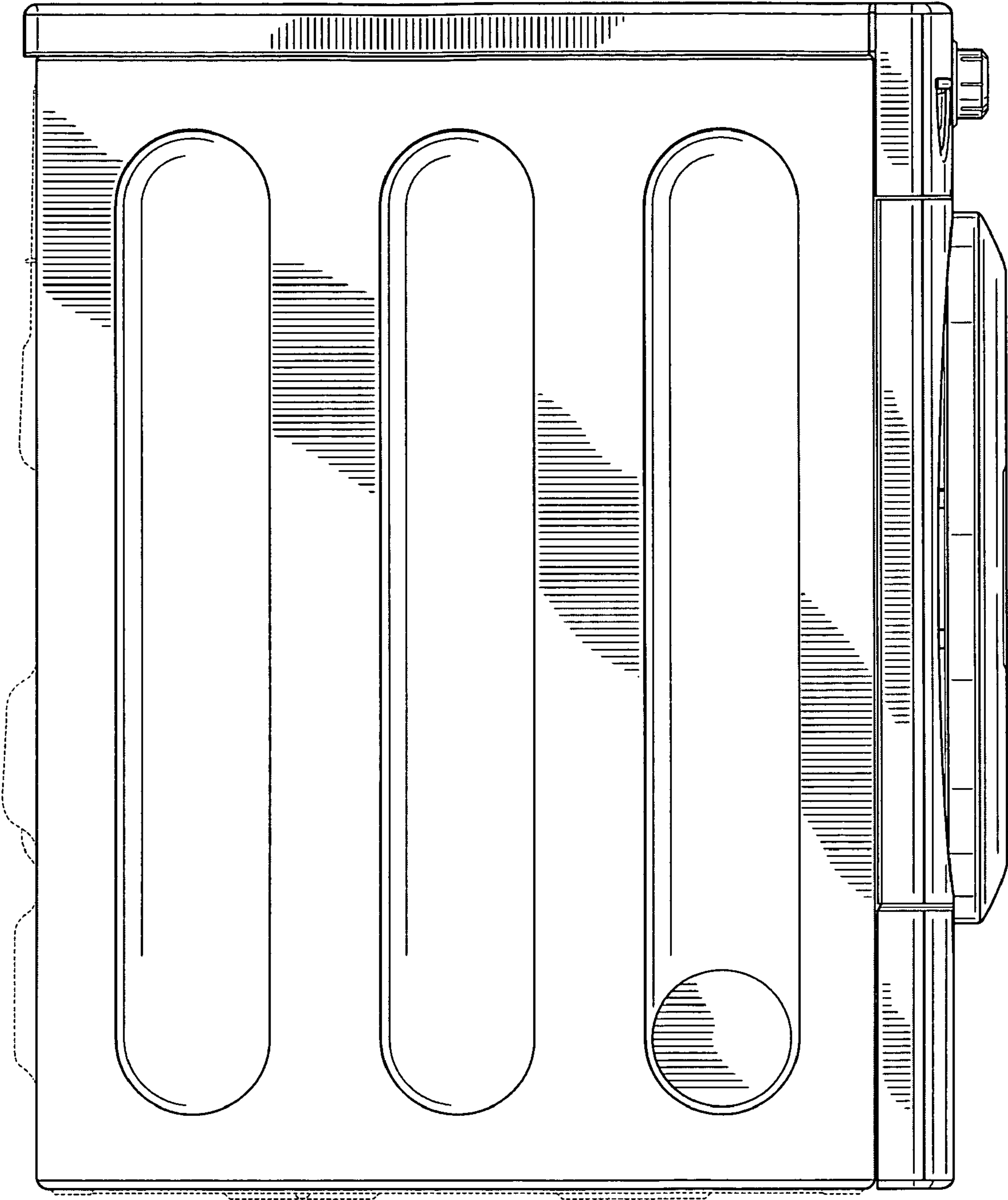


Fig. 8

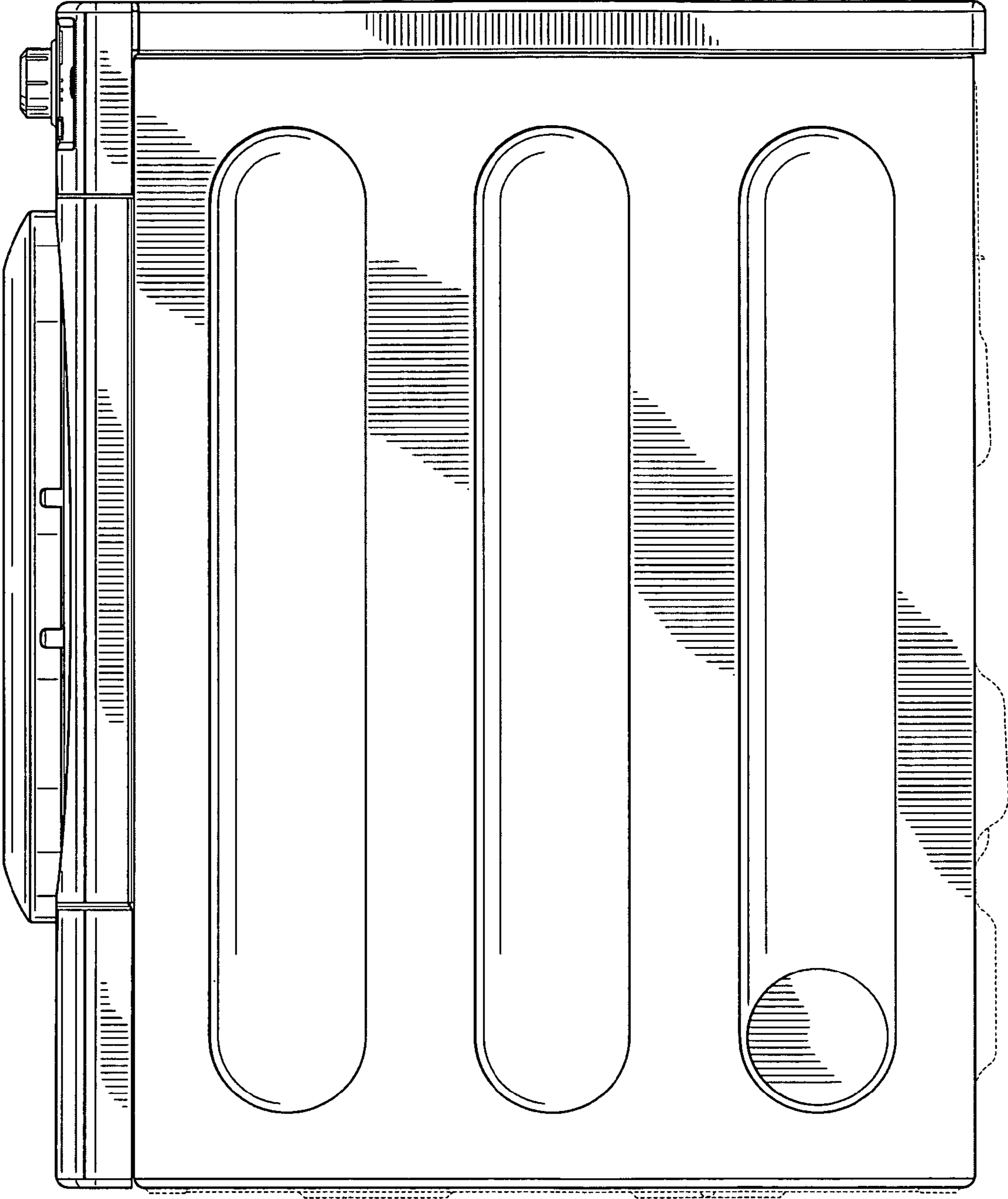


Fig. 9

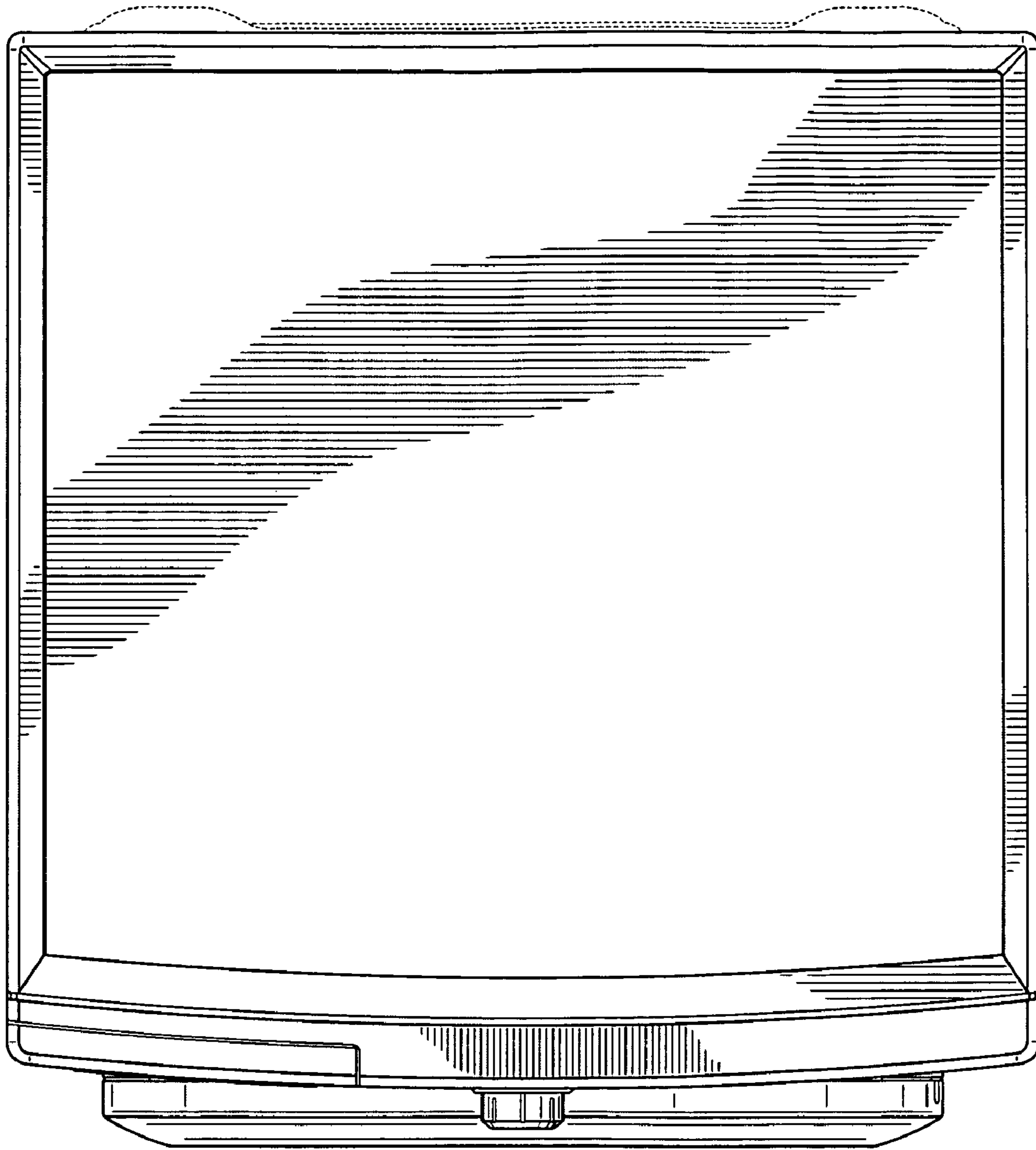


Fig. 10

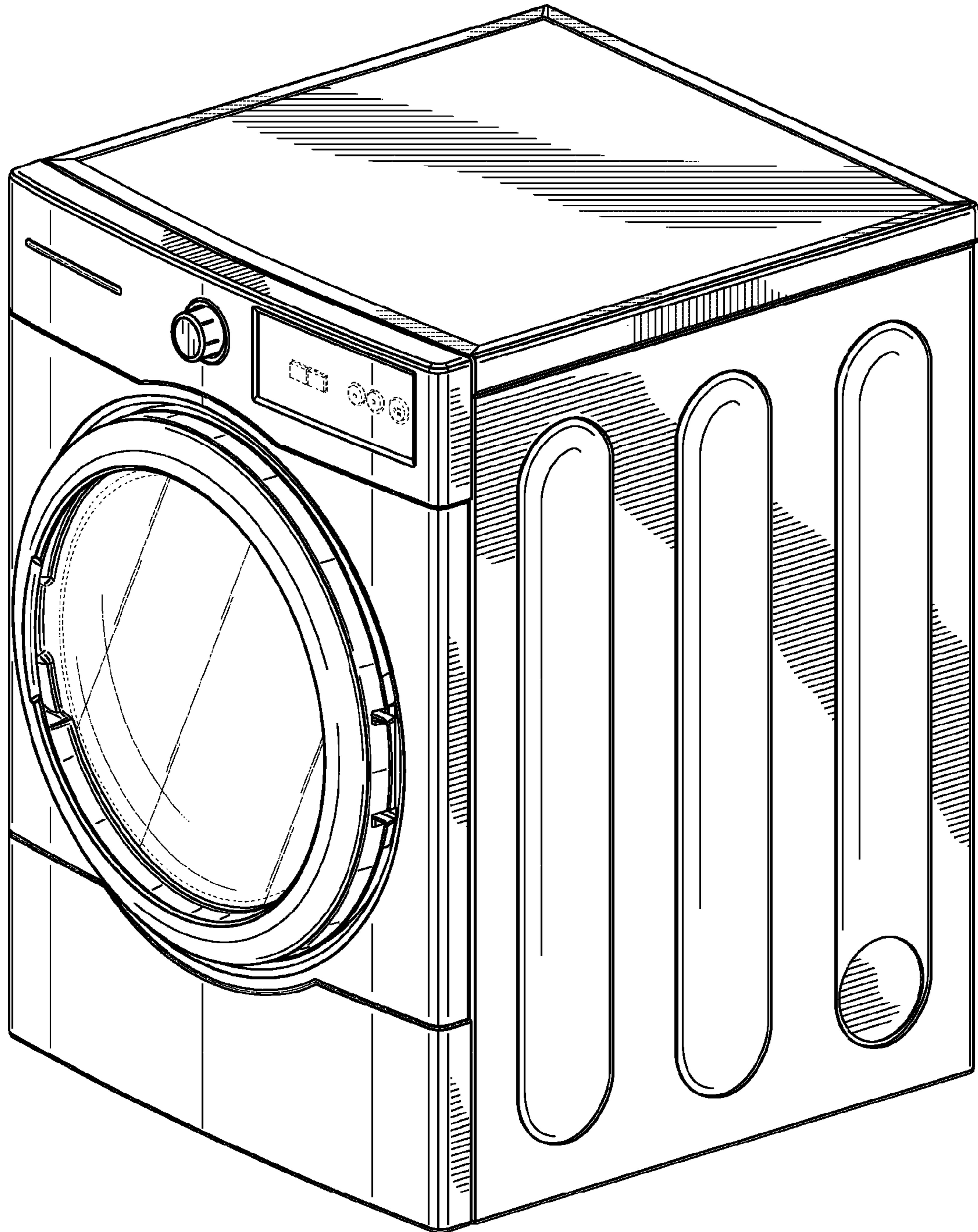


Fig. 11

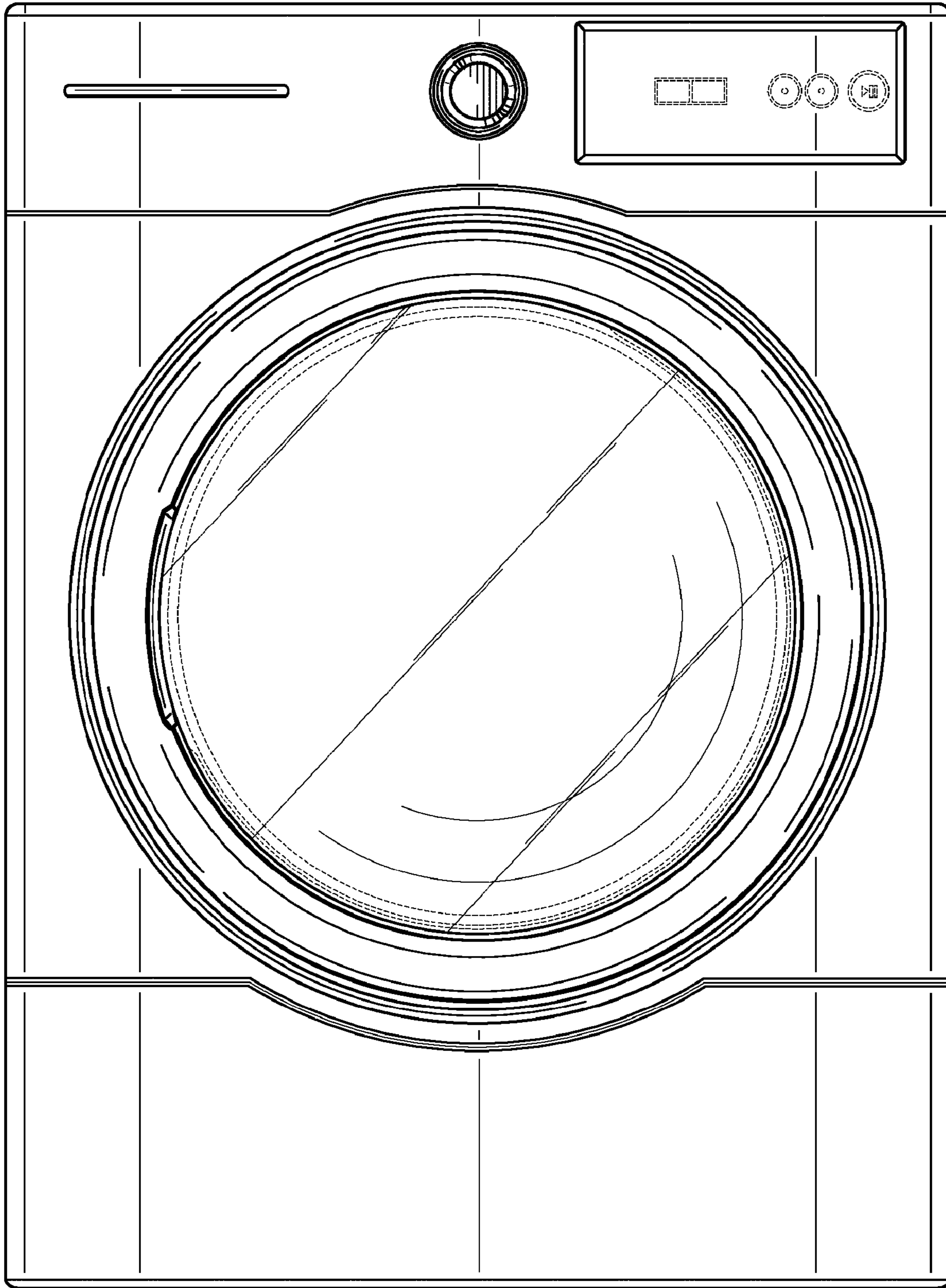


Fig. 12

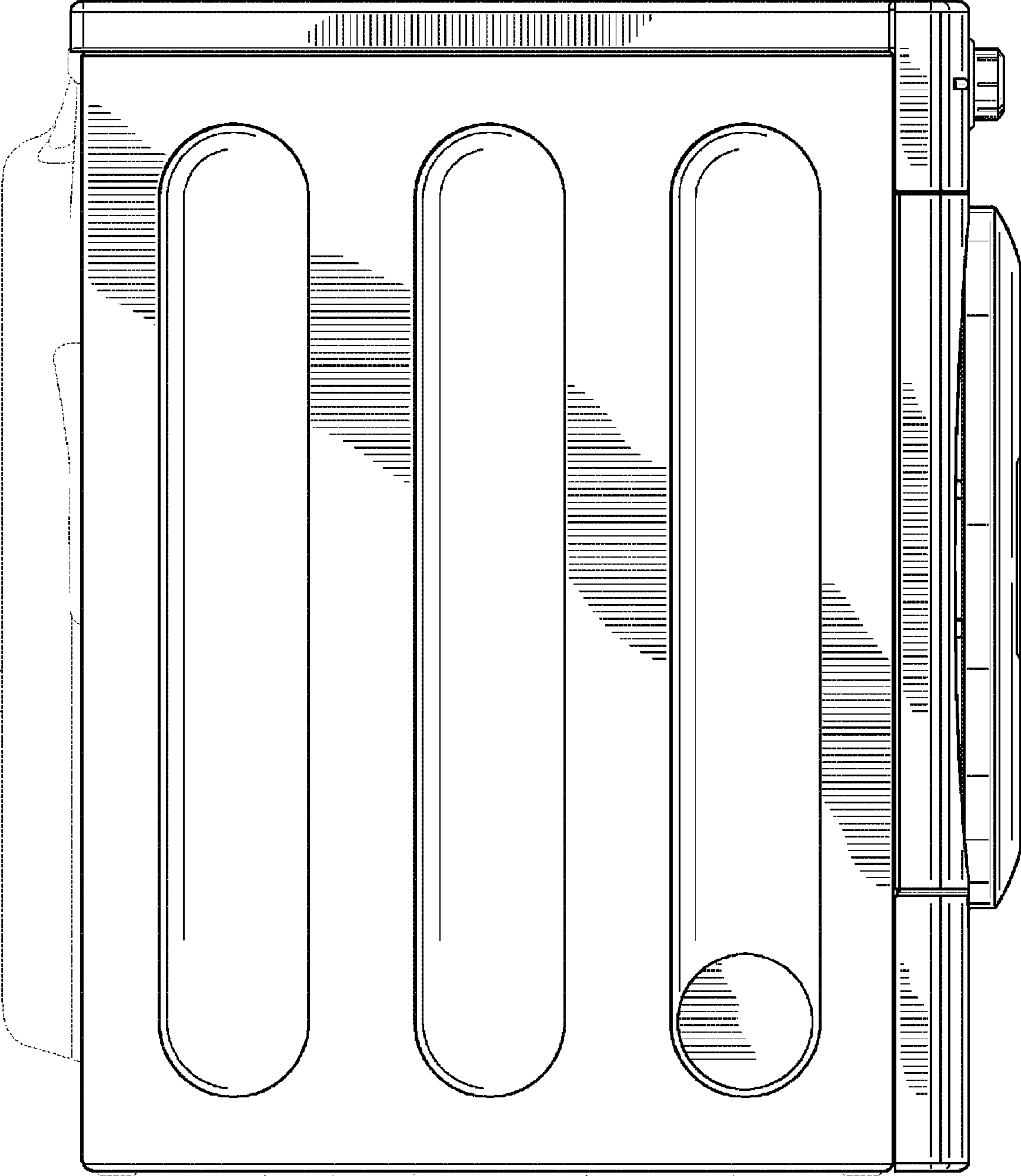


Fig. 13

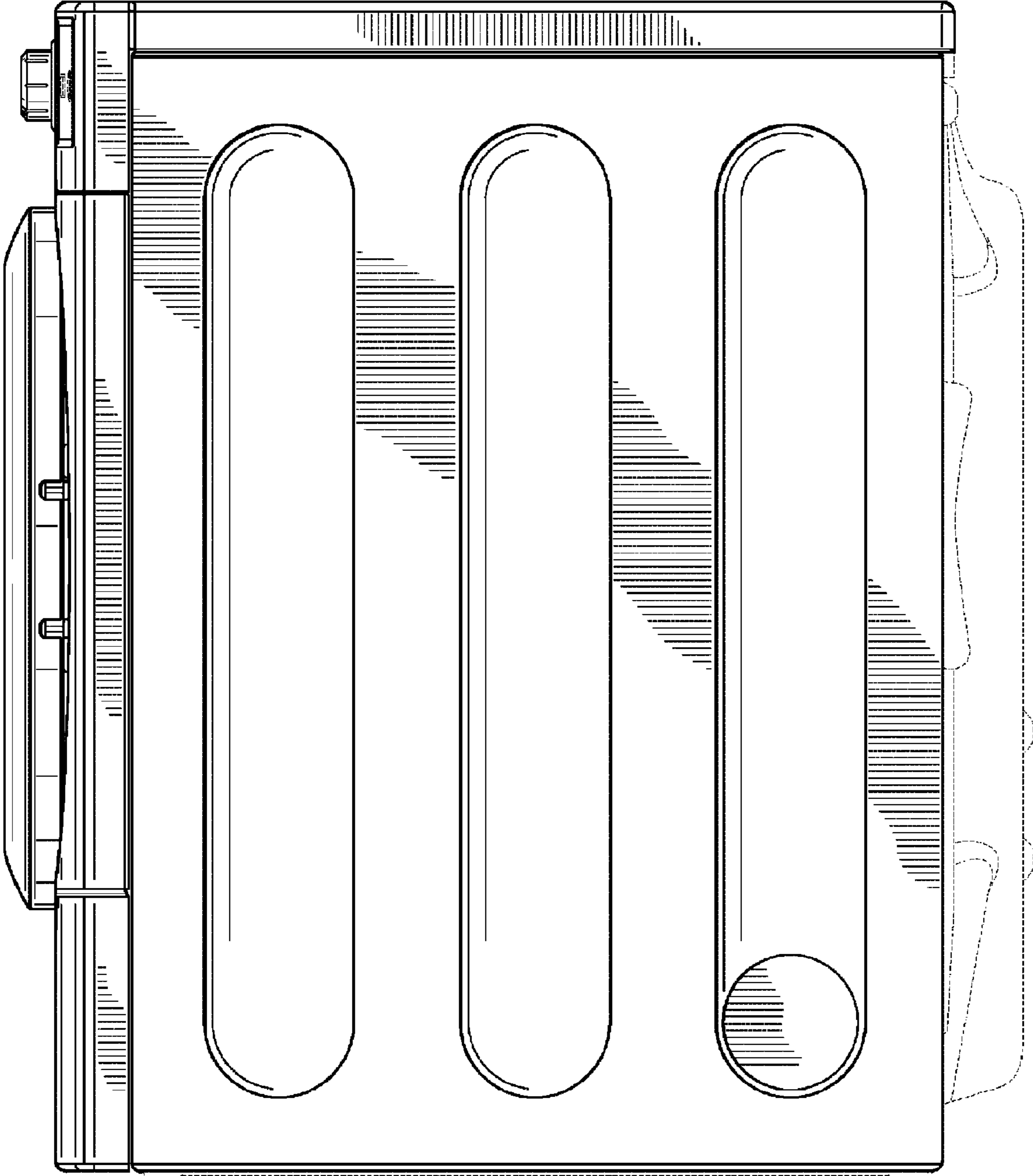


Fig. 14

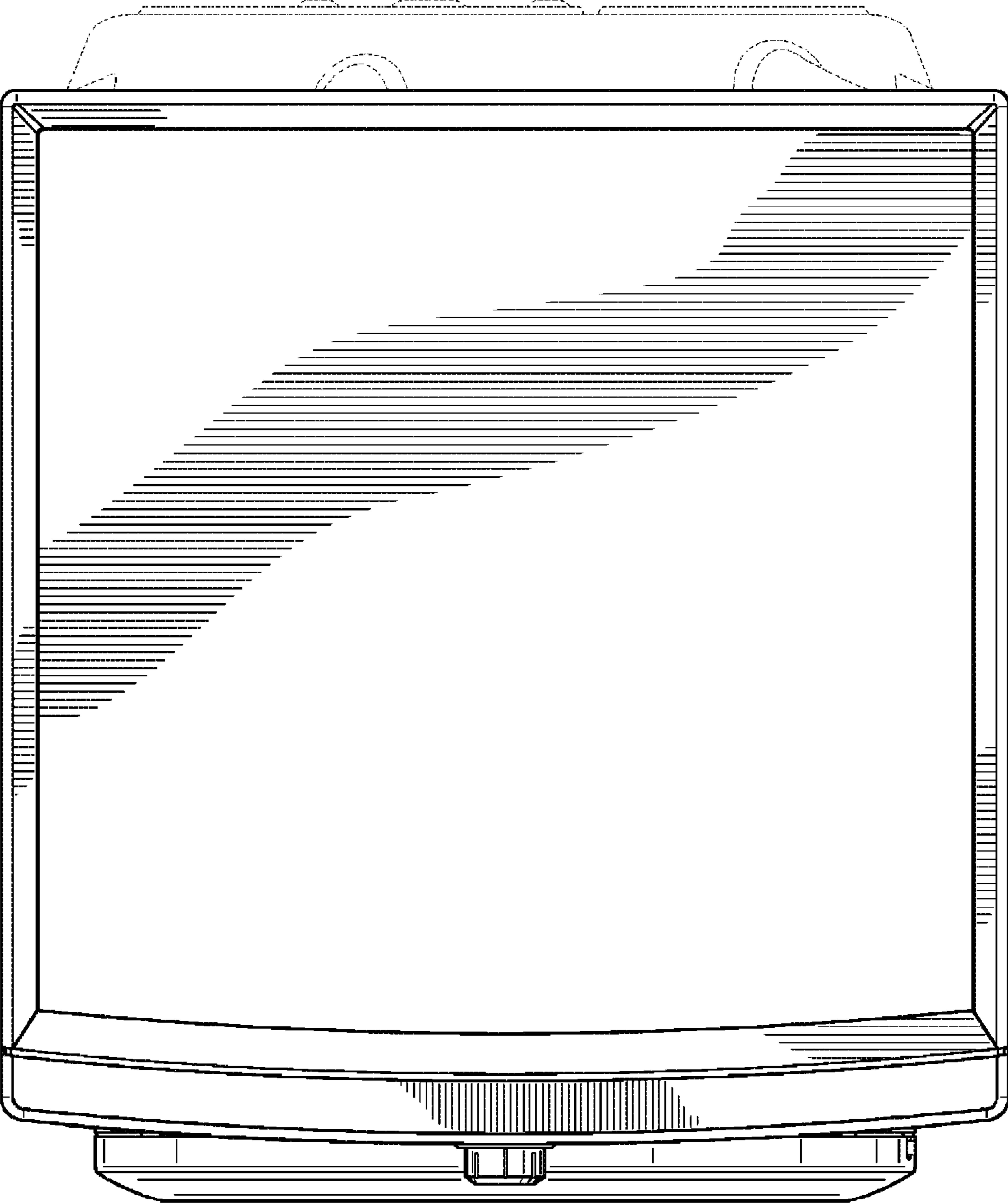


Fig. 15

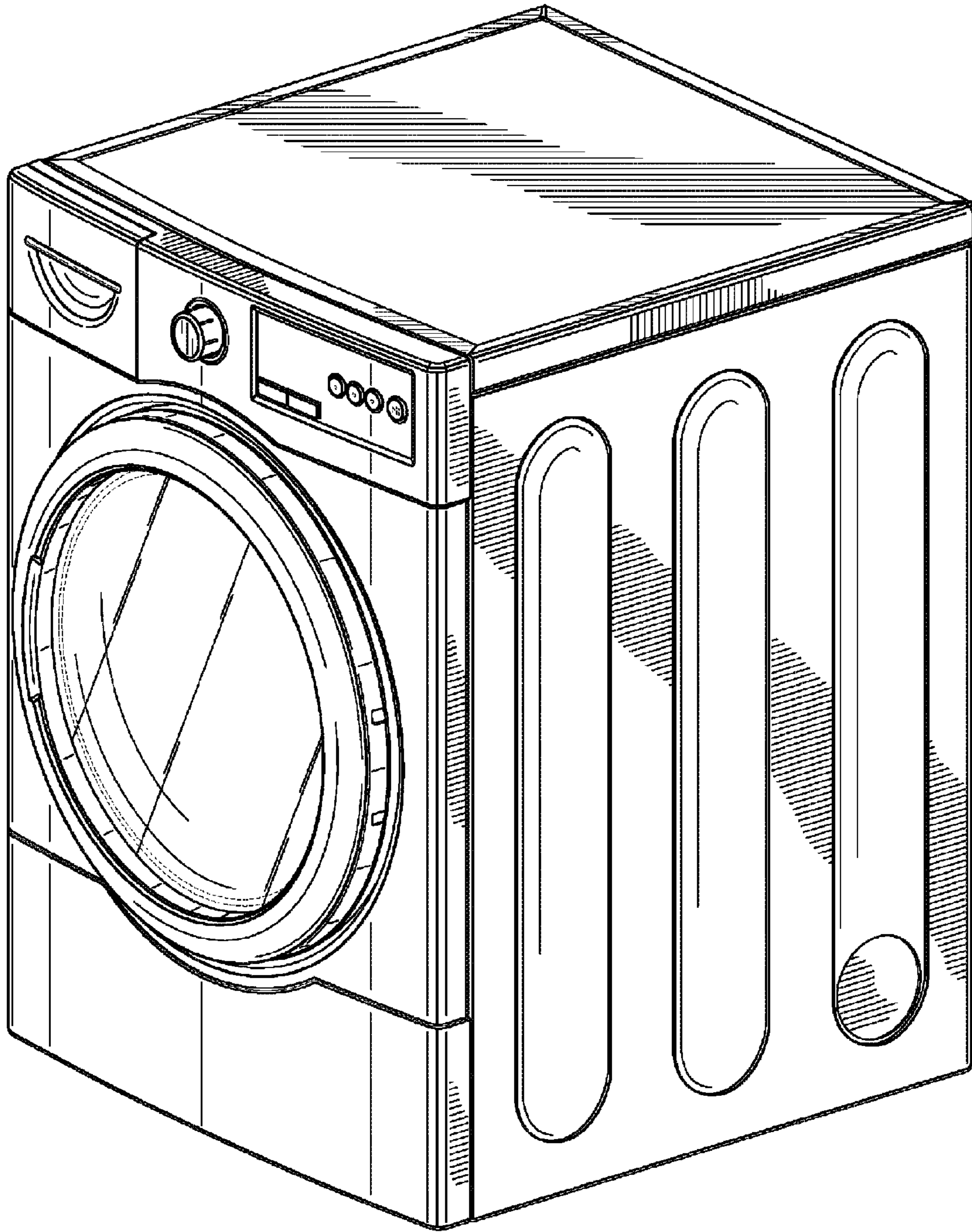


Fig. 16

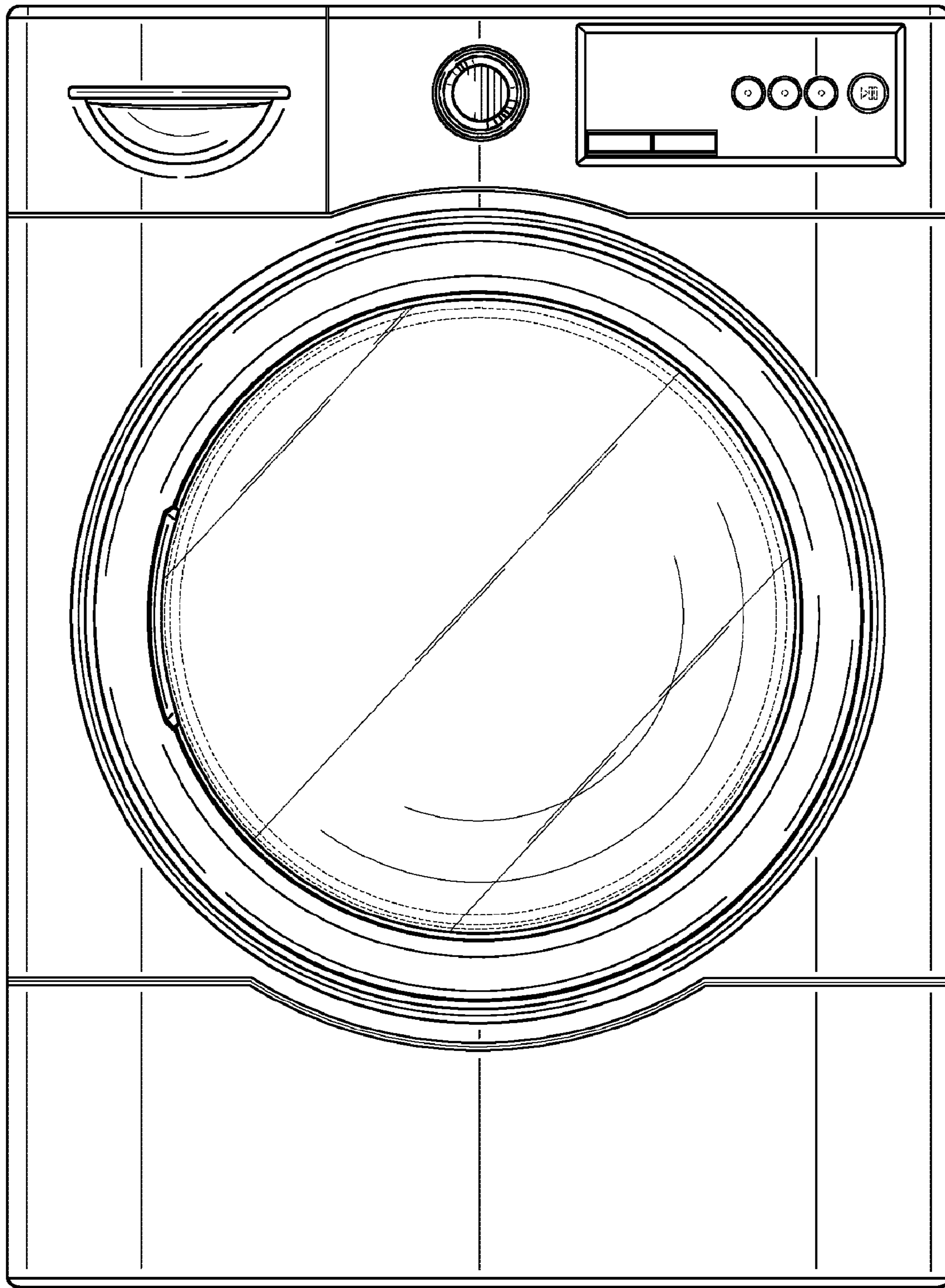


Fig. 17

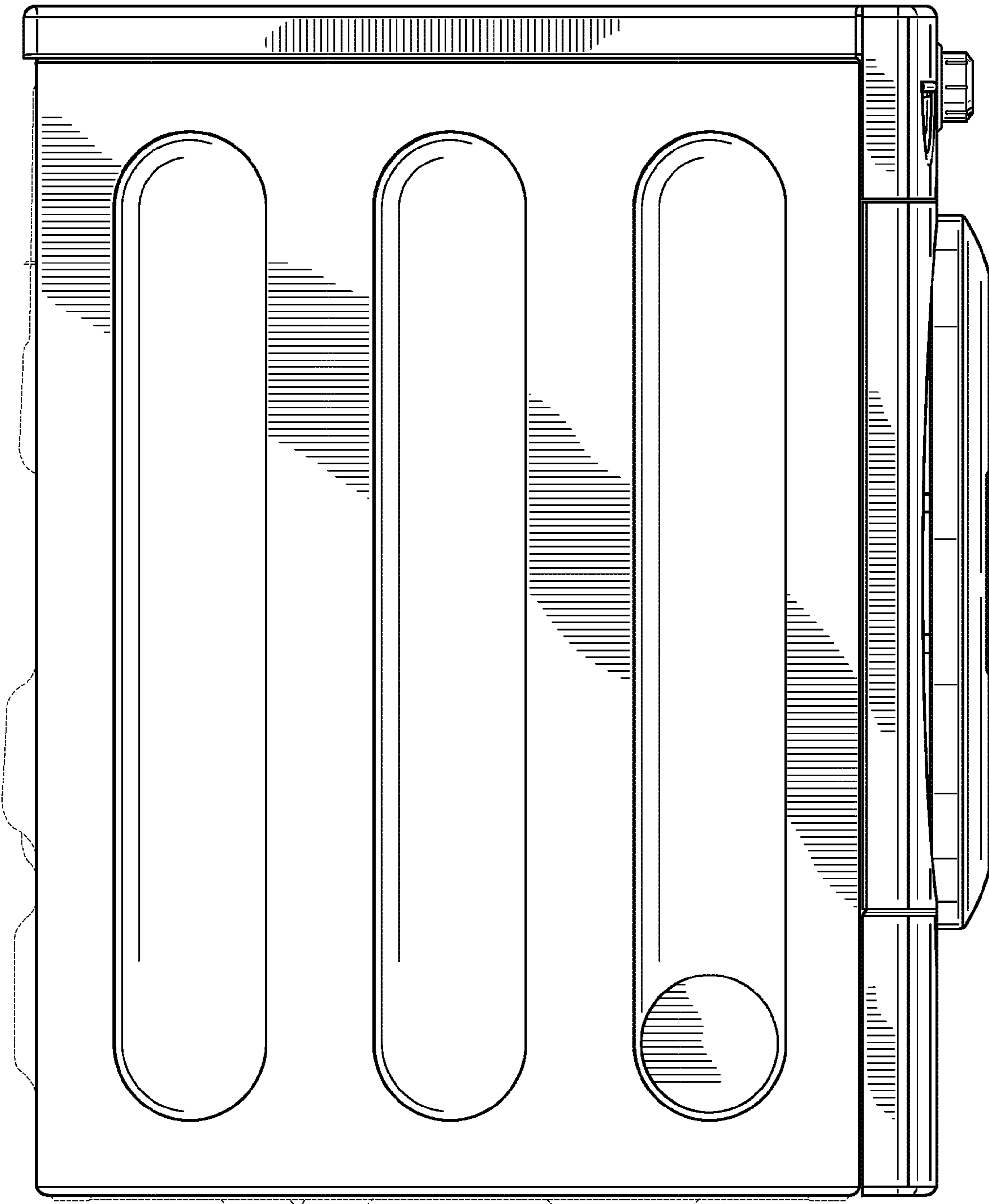


Fig. 18

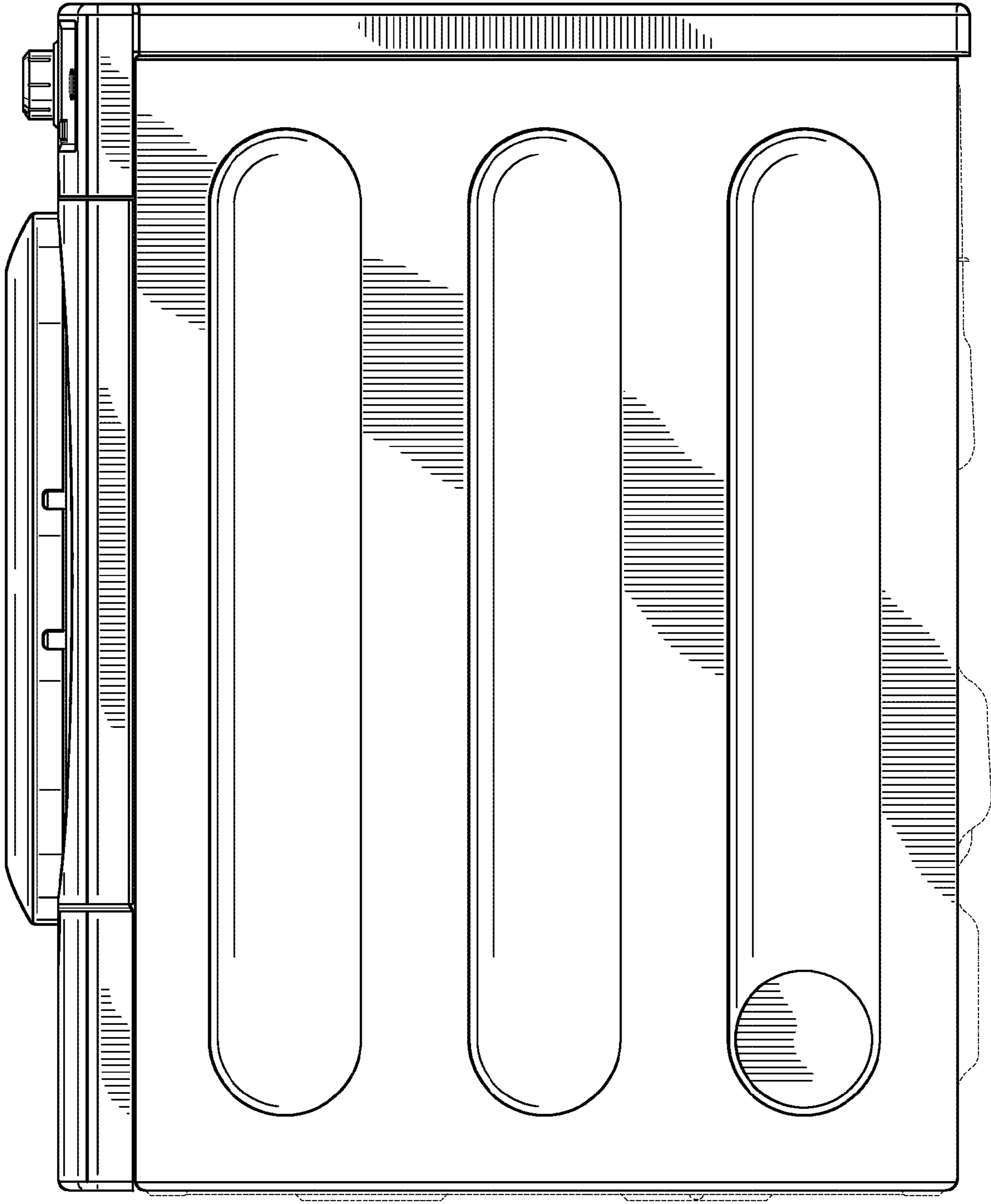


Fig. 19

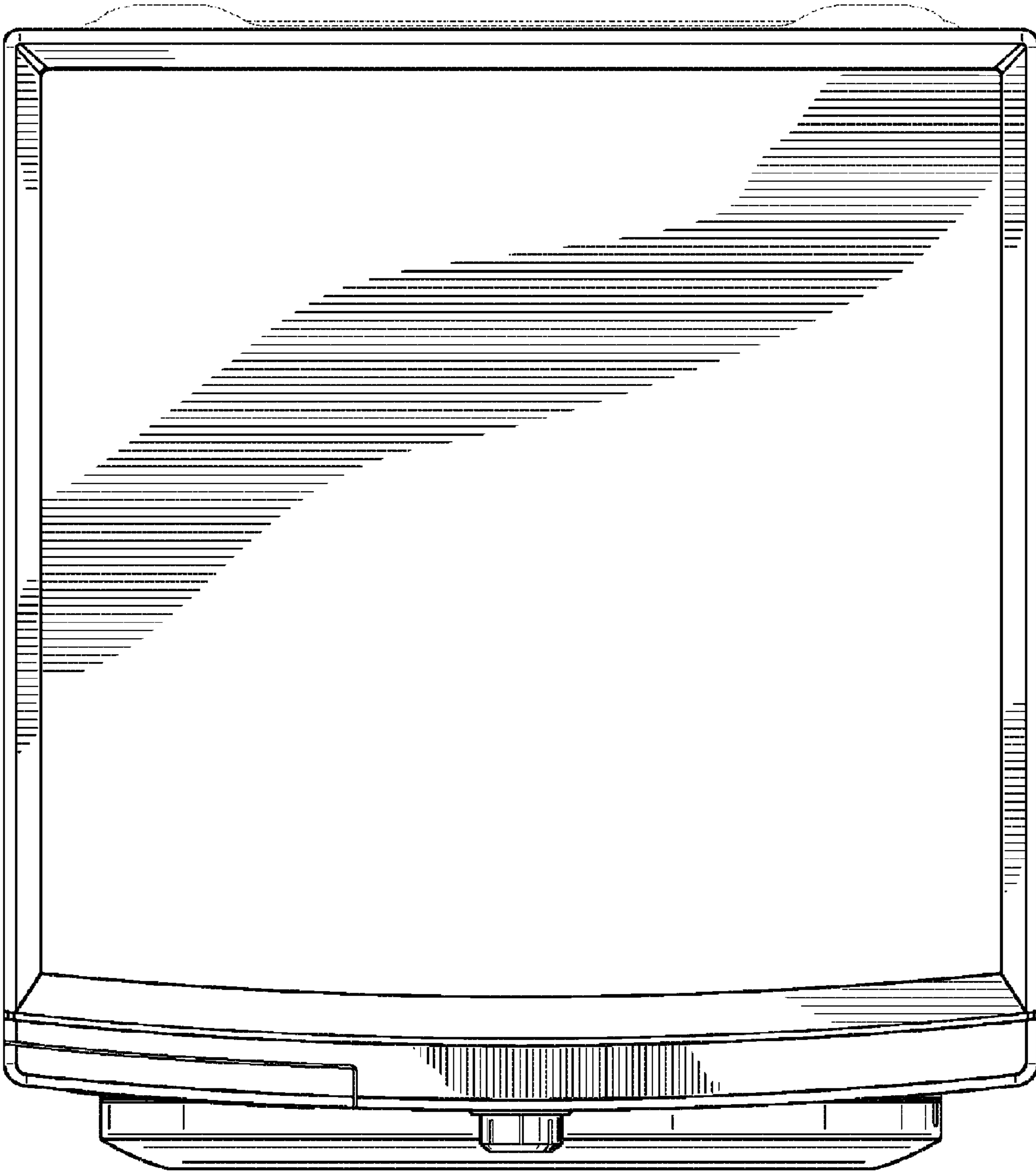


Fig. 20

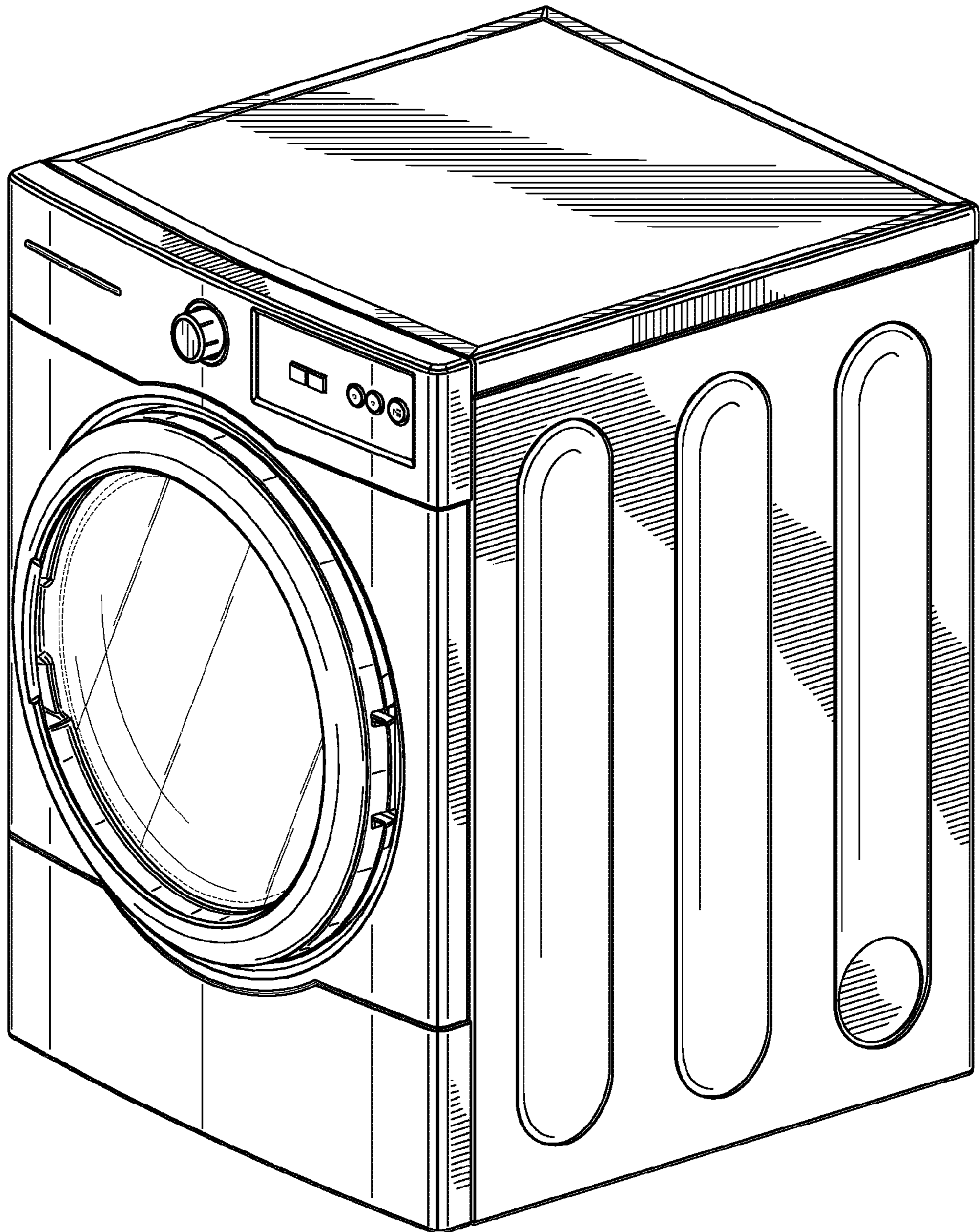


Fig. 21

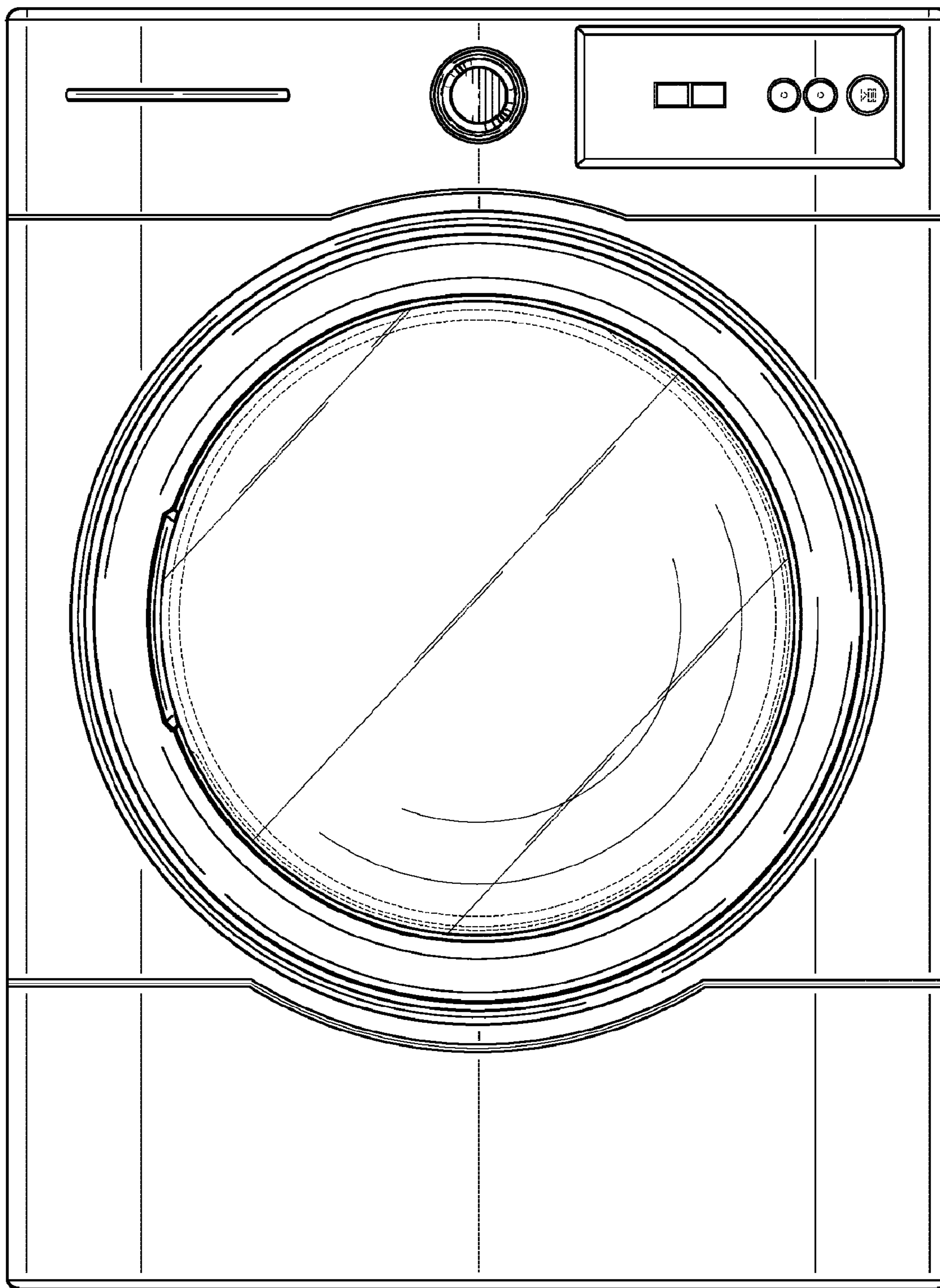


Fig. 22

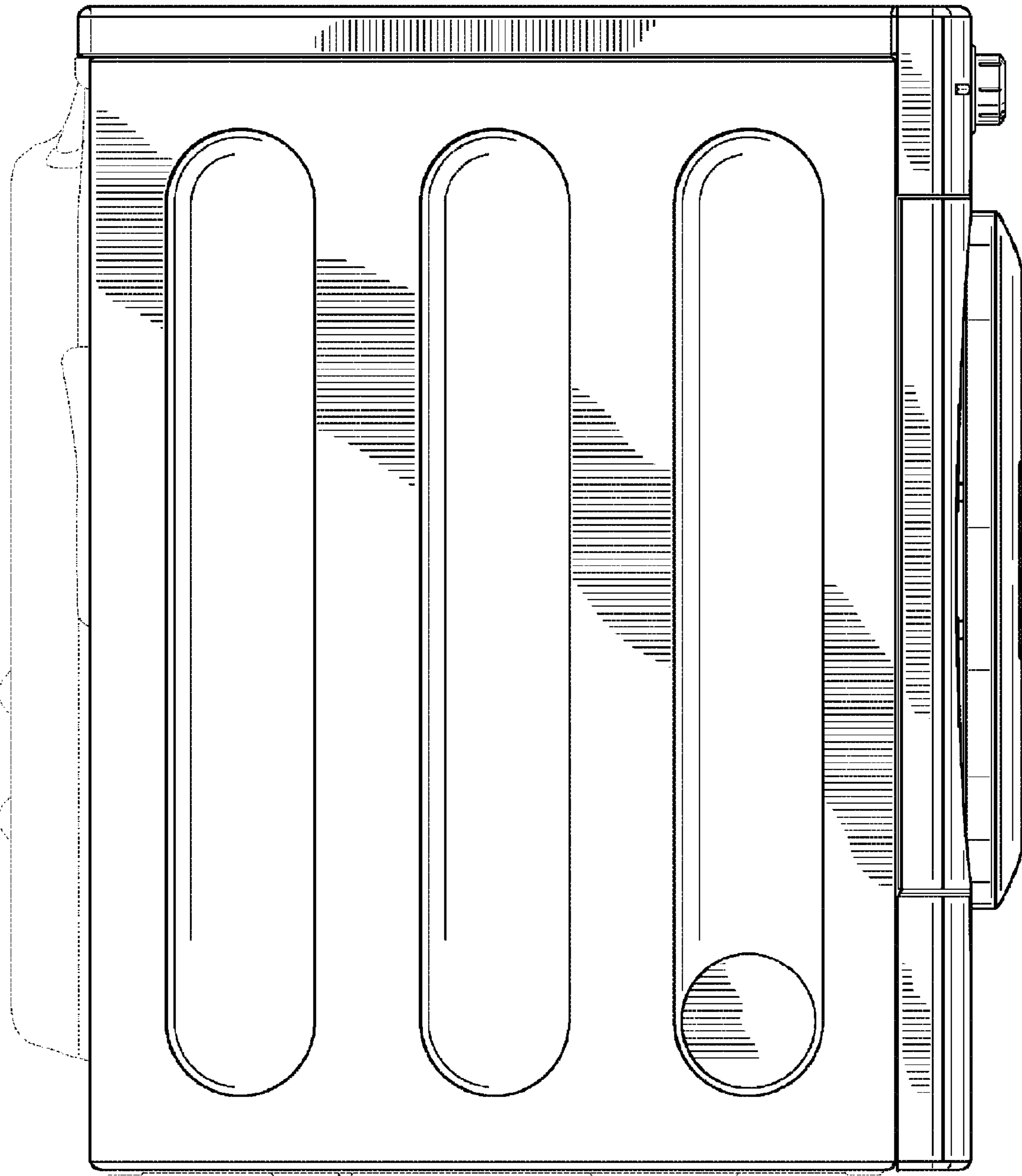


Fig. 23

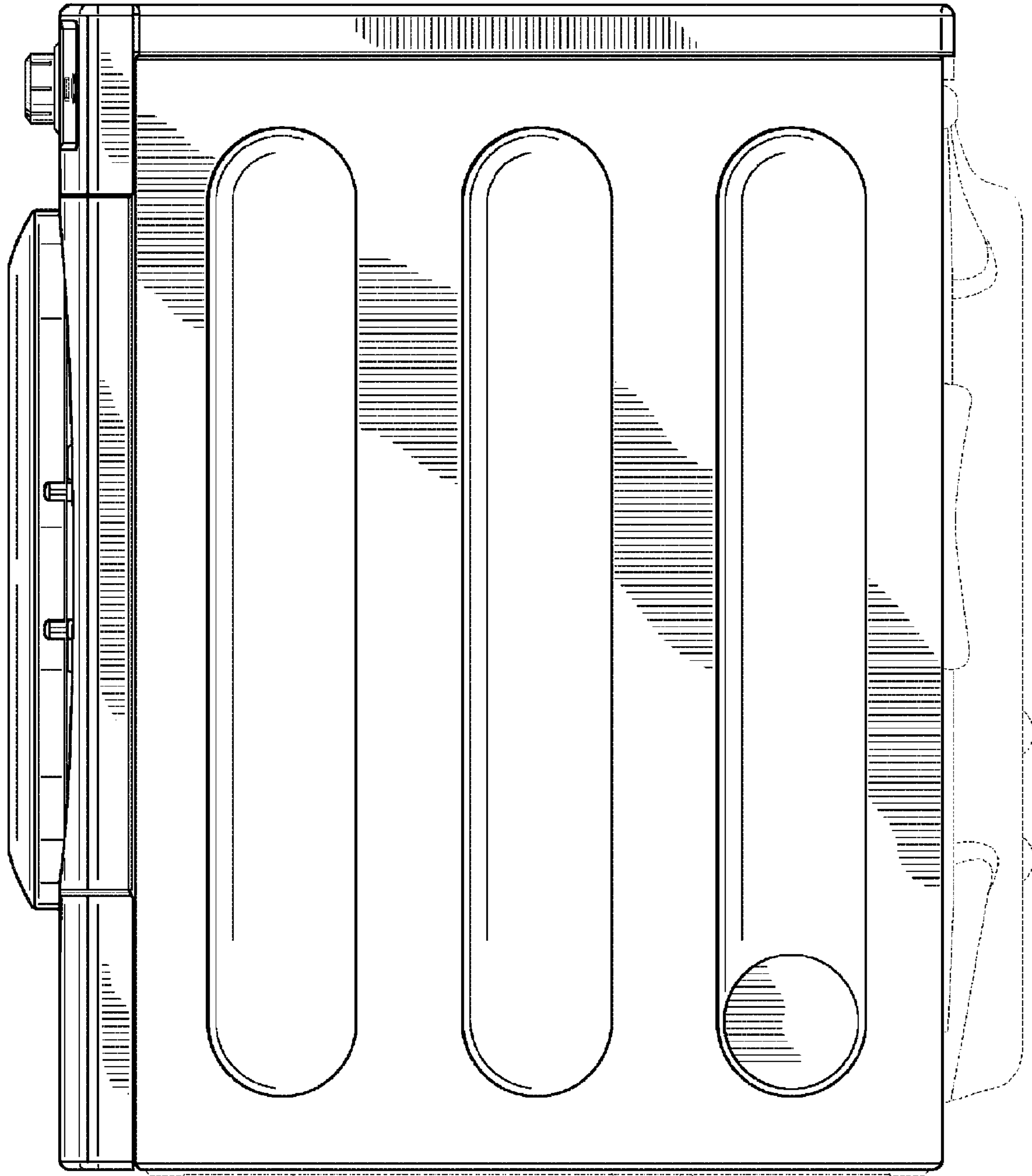


Fig. 24

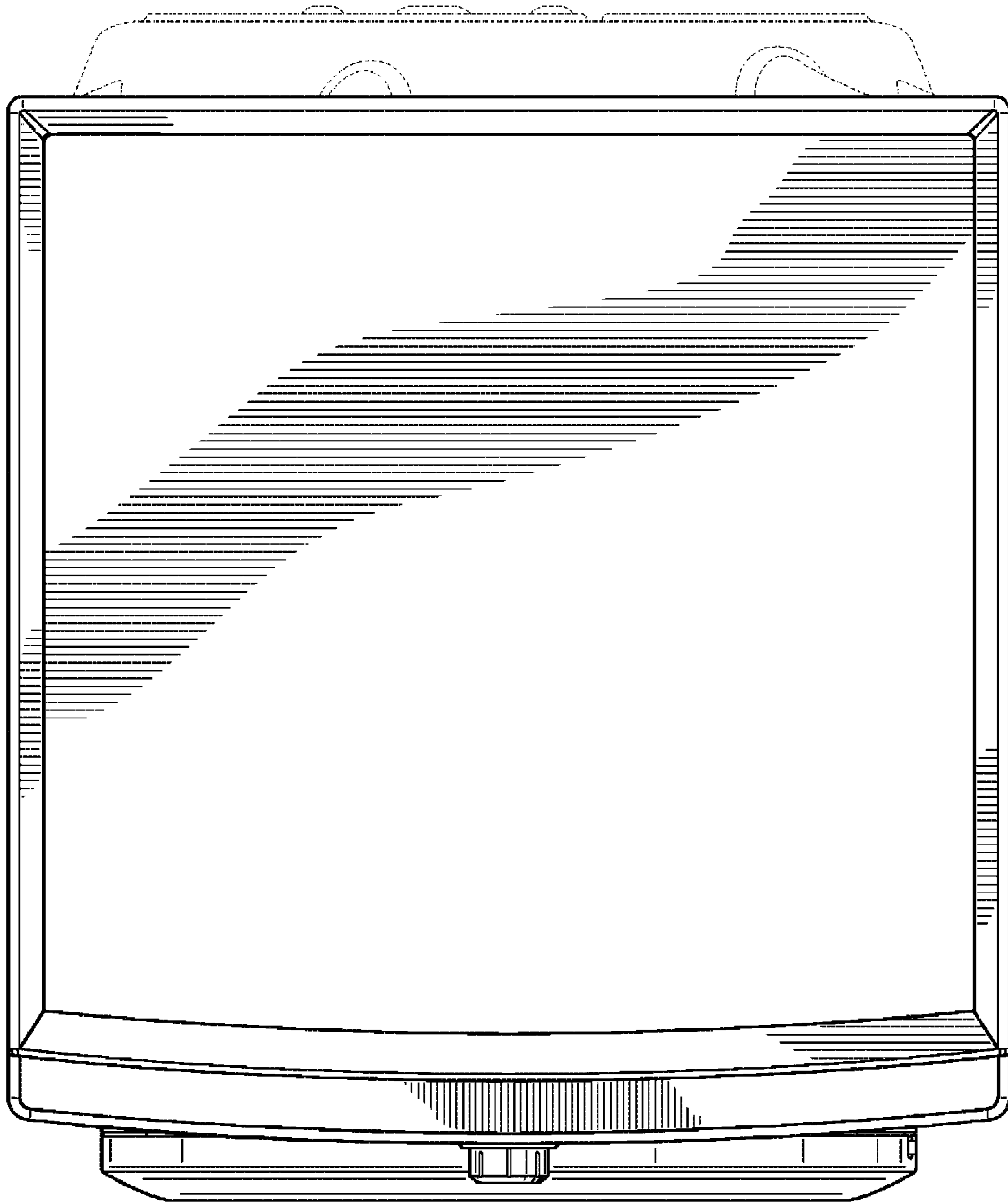


Fig. 25

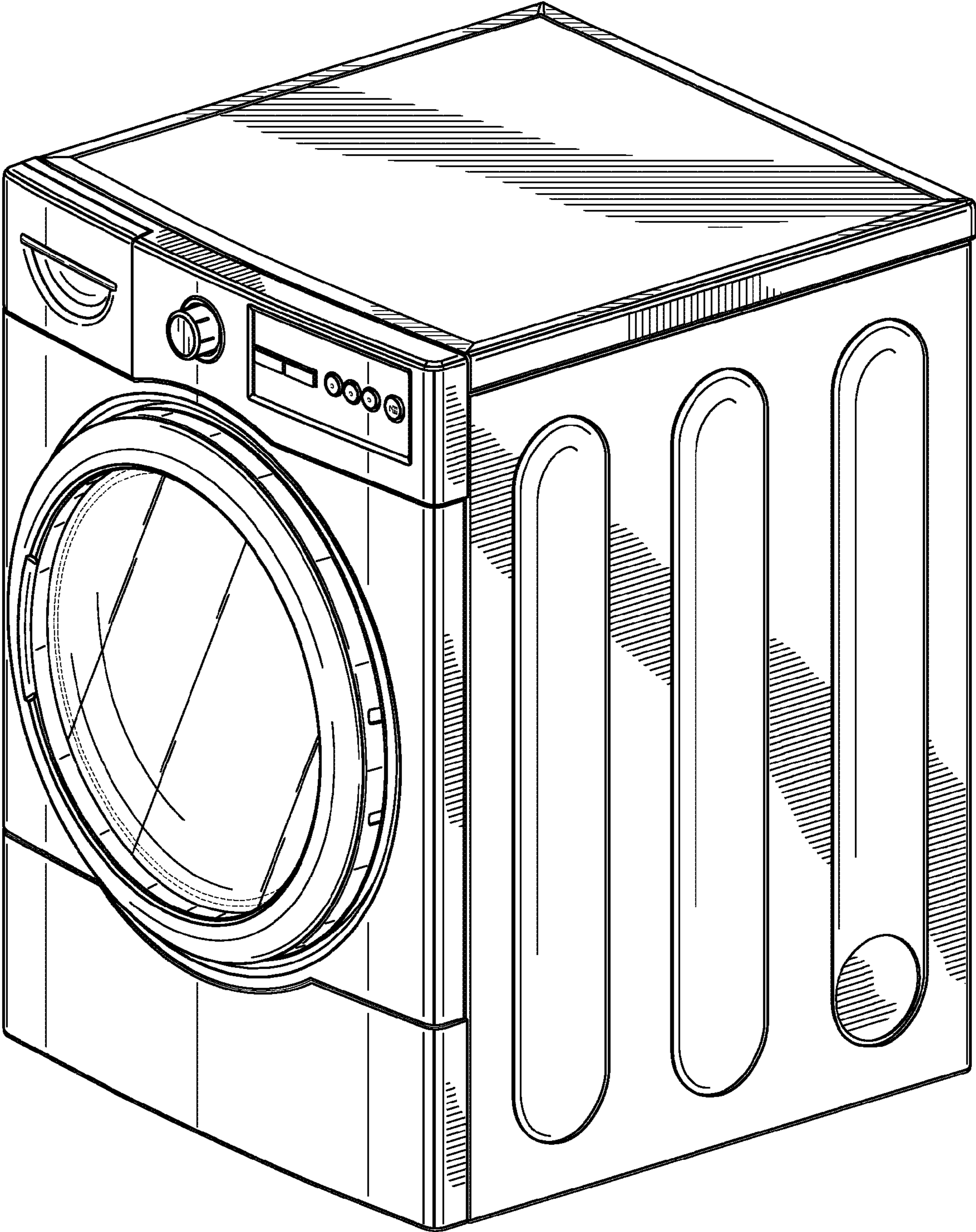


Fig. 26

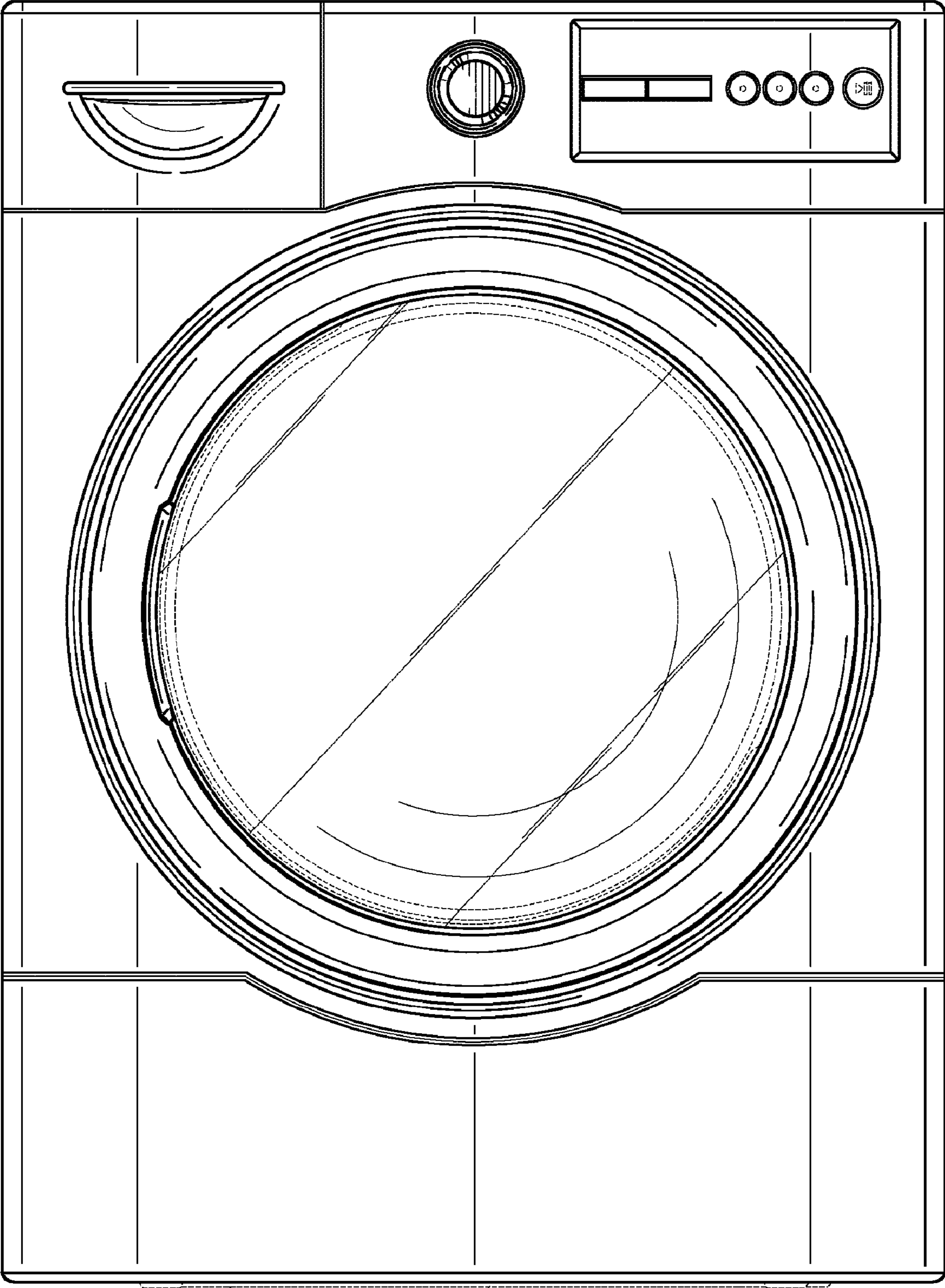


Fig. 27

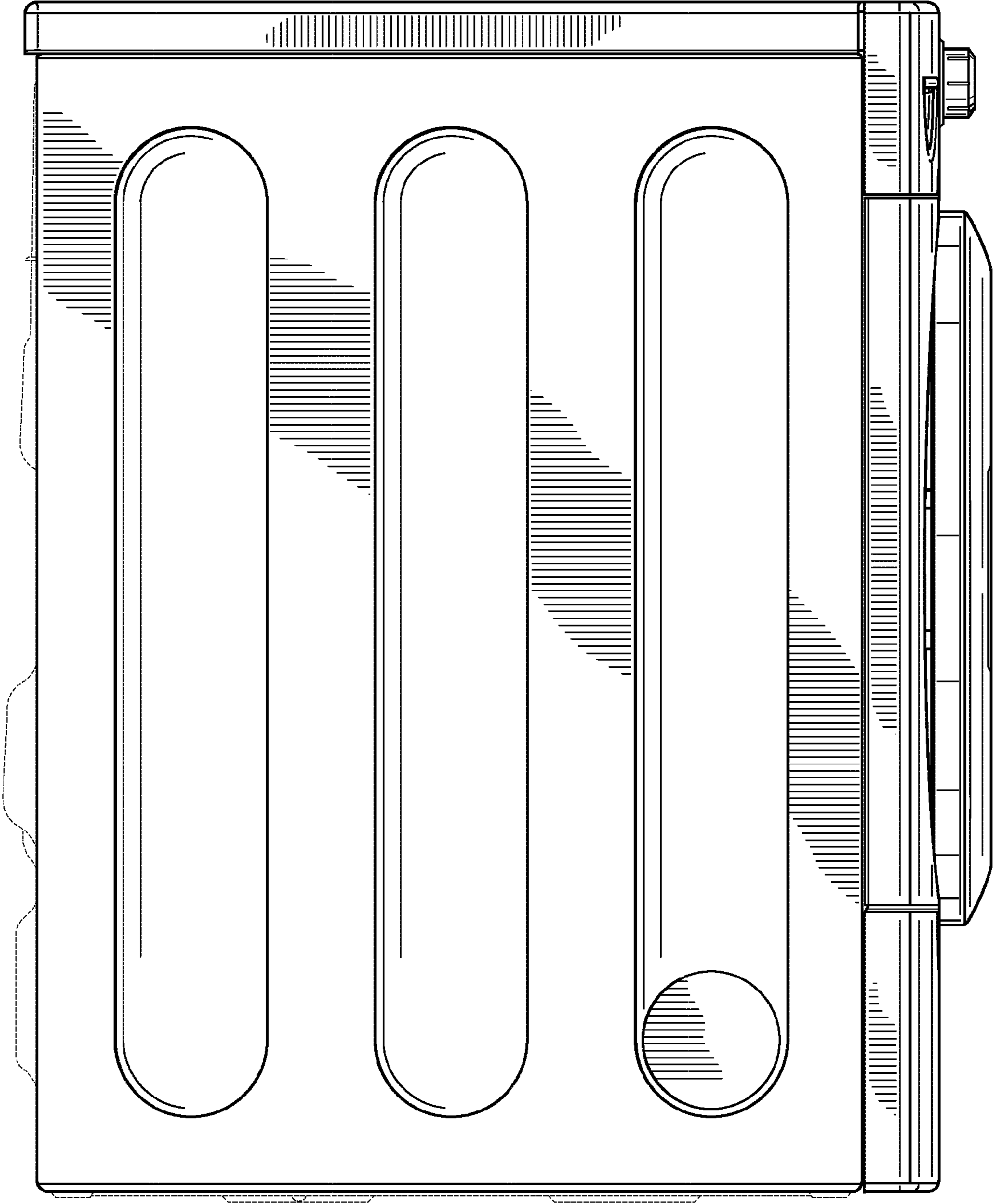


Fig. 28

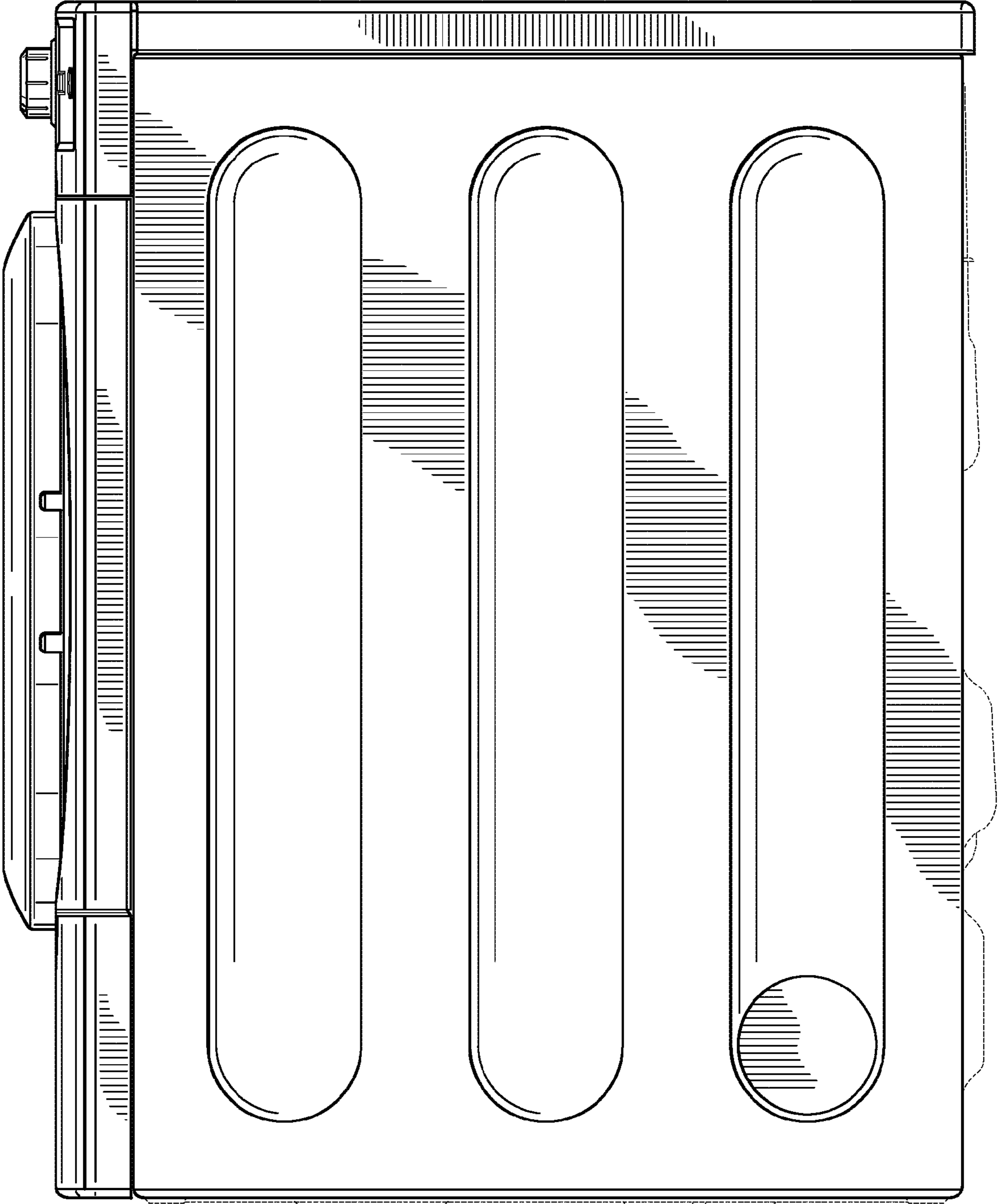


Fig. 29

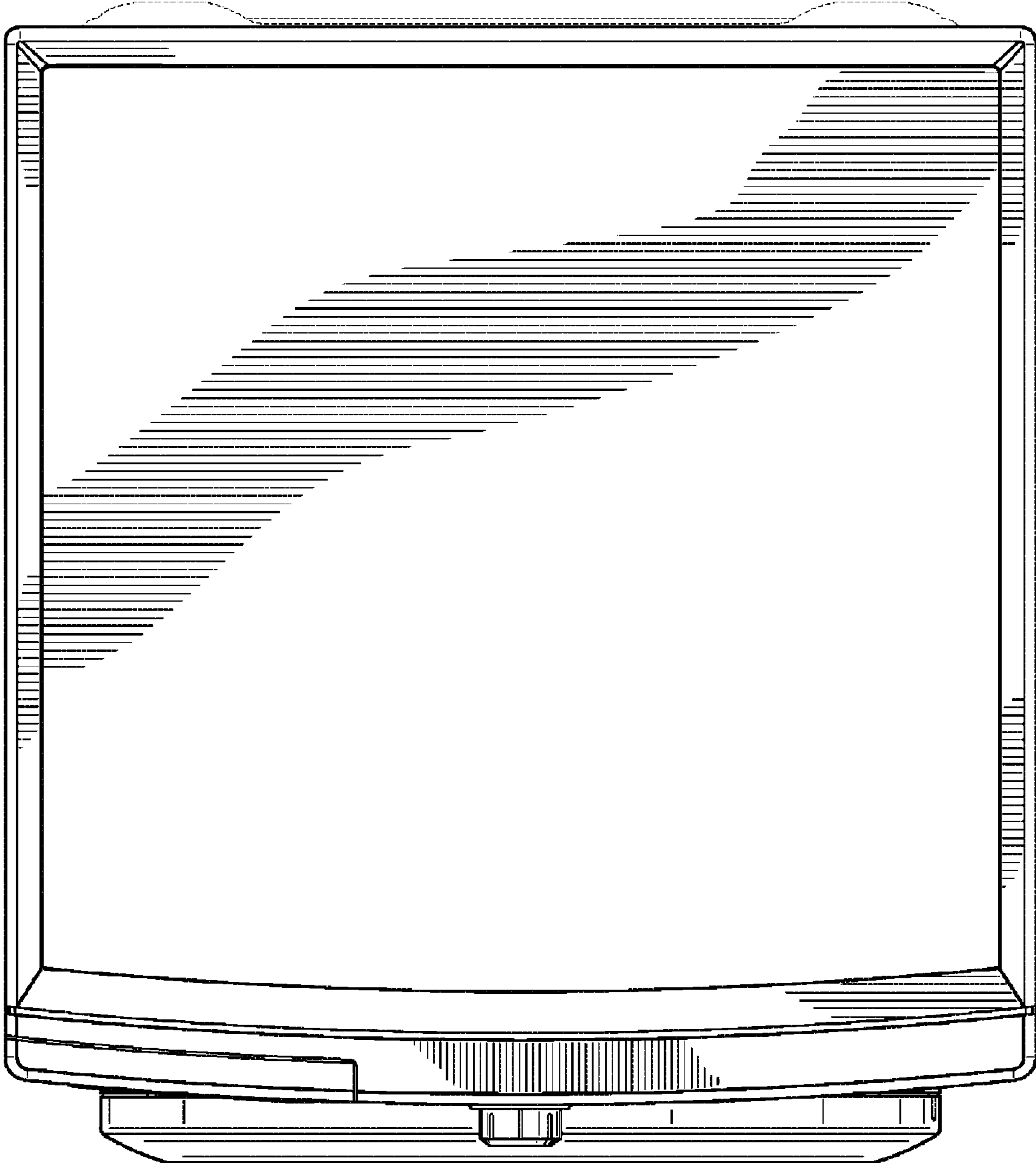


Fig. 30