



US00D628742S

(12) **United States Design Patent**  
**Hsu**

(10) **Patent No.:** **US D628,742 S**  
(45) **Date of Patent:** **\*\* Dec. 7, 2010**

(54) **BEAUTY TREATMENT INSTRUMENT**

D590,387 S \* 4/2009 Chen ..... D14/307  
D605,189 S \* 12/2009 Kuroda ..... D14/307  
D605,191 S \* 12/2009 Kuroda et al. .... D14/307

(76) Inventor: **Cheng-Hung Hsu**, No. 18, Kai-An 1st St., Tainan (TW)

\* cited by examiner

(\*\*) Term: **14 Years**

*Primary Examiner*—Jennifer Rivard  
(74) *Attorney, Agent, or Firm*—patenttm.us

(21) Appl. No.: **29/344,462**

(22) Filed: **Sep. 29, 2009**

(57) **CLAIM**

(51) **LOC (9) Cl.** ..... **28-03**

The ornamental design for a beauty treatment instrument, as shown and described.

(52) **U.S. Cl.** ..... **D28/9; D28/99; D14/307**

(58) **Field of Classification Search** ..... D28/9–10,  
D28/99; D14/900–902, 307; D6/397; D24/234,  
D24/200; 705/14.37; 361/679.02, 679.21  
See application file for complete search history.

**DESCRIPTION**

(56) **References Cited**

FIG. 1 is a perspective view of a beauty treatment instrument, showing my new design;

FIG. 2 is a front view thereof;

FIG. 3 is a rear view thereof;

FIG. 4 is a left view thereof;

FIG. 5 is a right view thereof;

FIG. 6 is a top view thereof; and,

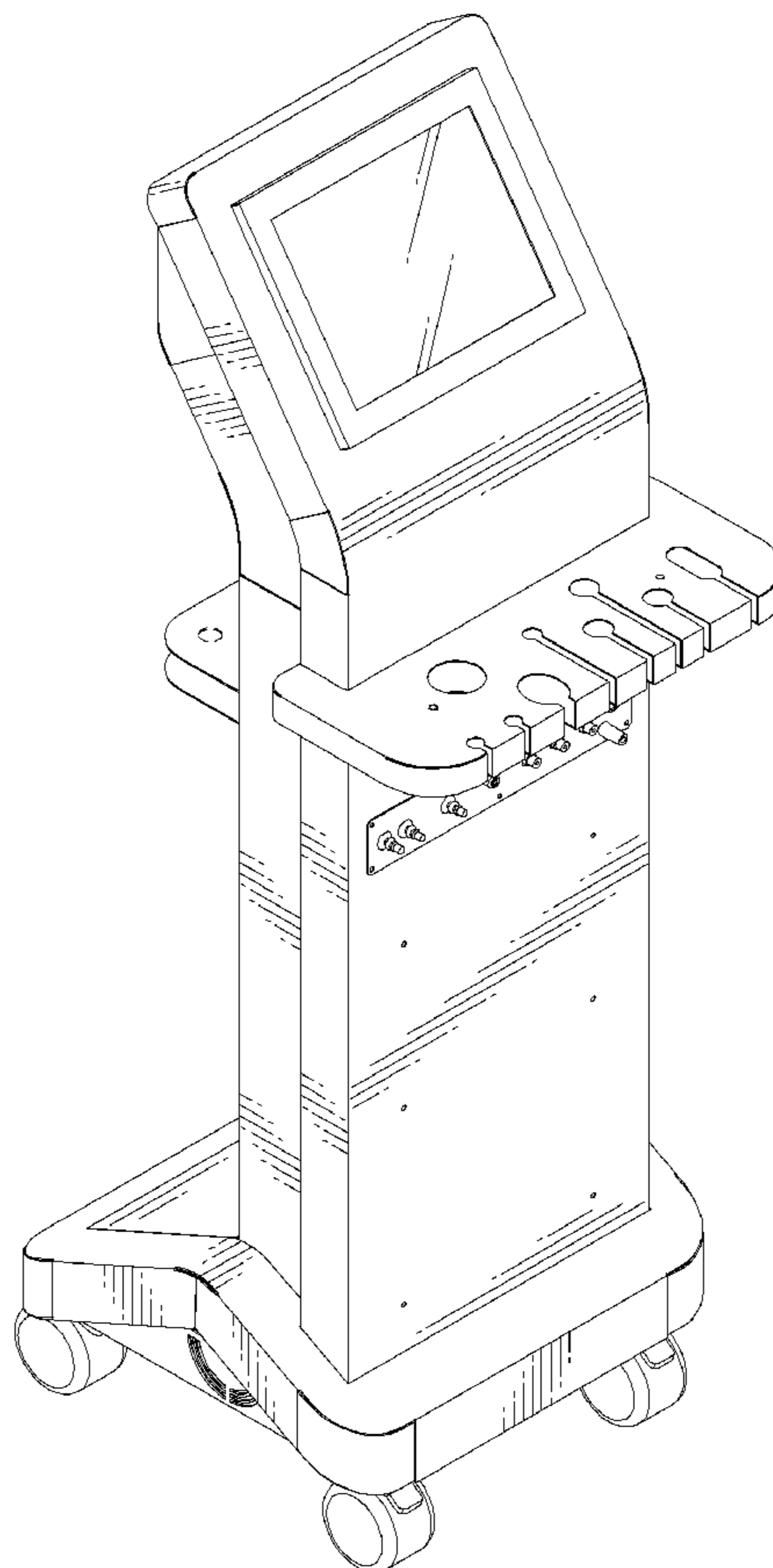
FIG. 7 is a bottom view thereof.

The portions shown in broken lines are shown for illustrative purposes only and form no part of the claimed design.

**U.S. PATENT DOCUMENTS**

- D272,197 S \* 1/1984 Orenstein ..... D28/99
- D286,920 S \* 11/1986 Takigawa ..... D28/9
- D286,921 S \* 11/1986 Takigawa ..... D28/9
- D286,922 S \* 11/1986 Takigawa ..... D28/9
- D309,197 S \* 7/1990 Williams, Jr. .... D28/99
- D422,568 S \* 4/2000 Brunetti ..... D14/302
- D431,708 S \* 10/2000 McCormack et al. .... D99/28
- D448,522 S \* 9/2001 Minami ..... D28/9
- D532,782 S \* 11/2006 Russo et al. .... D14/307

**1 Claim, 6 Drawing Sheets**



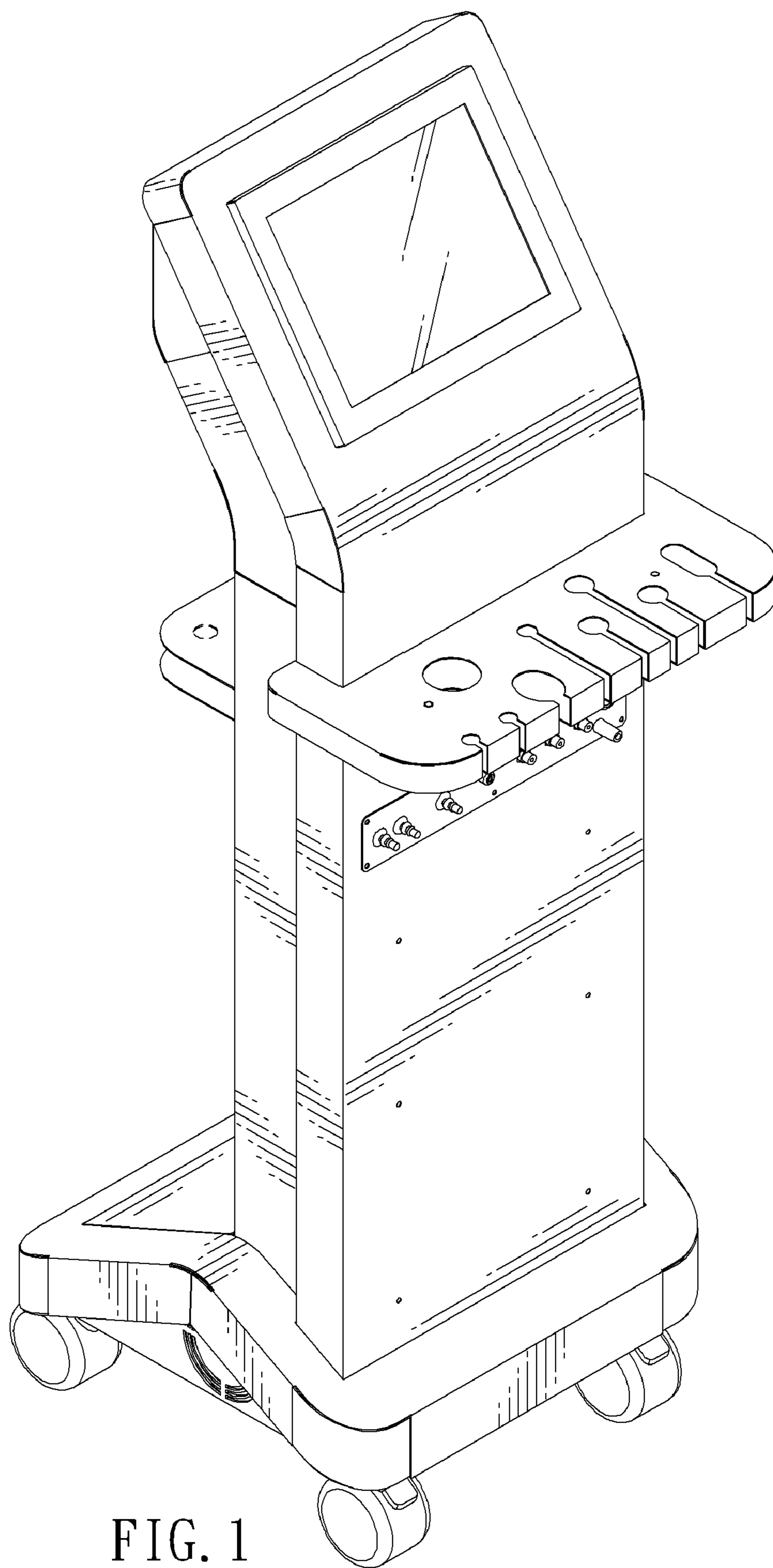


FIG. 1

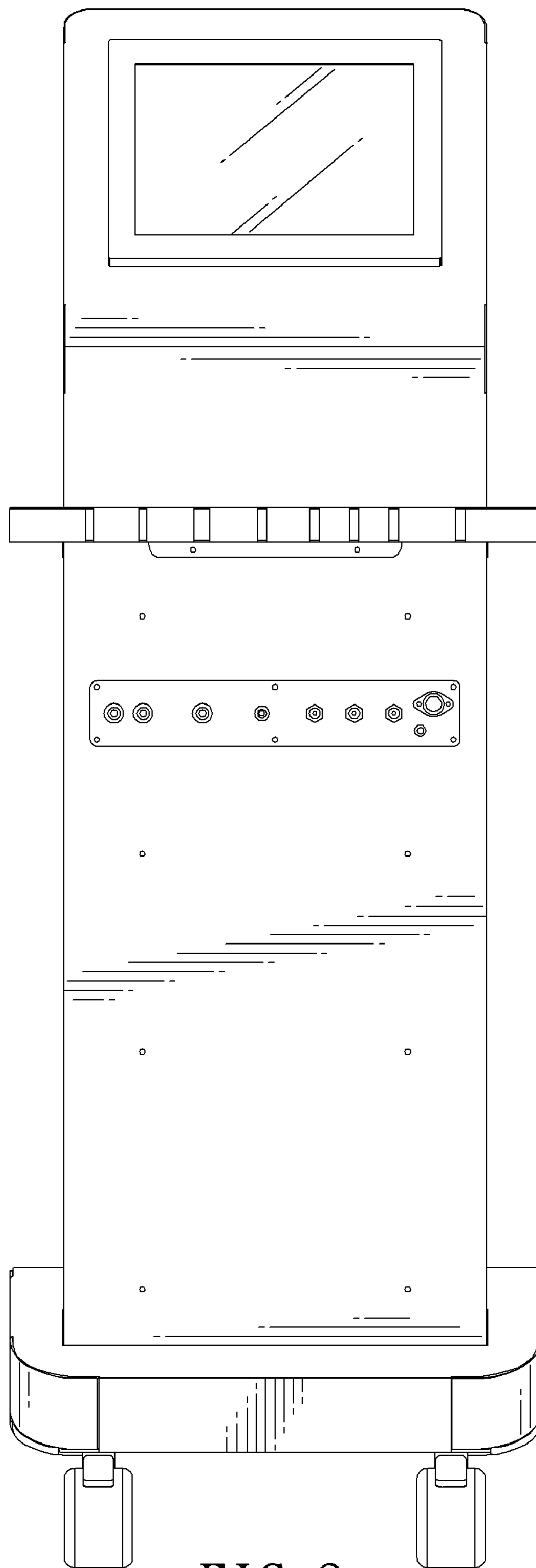


FIG. 2

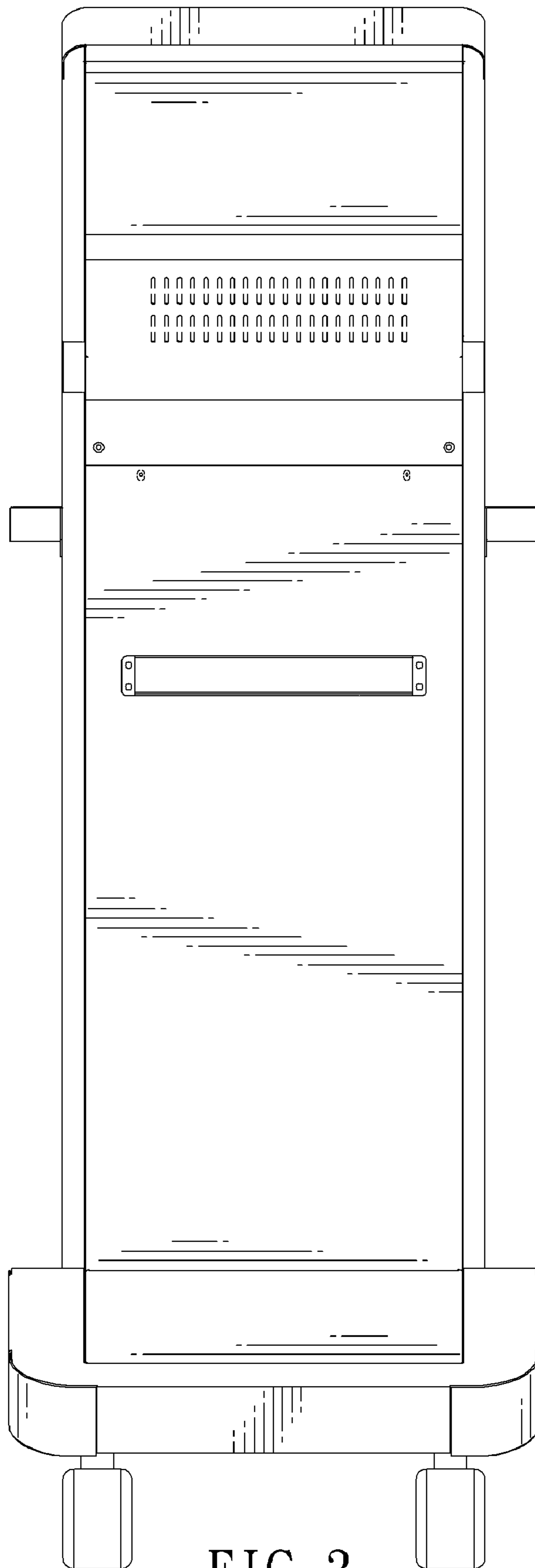


FIG. 3

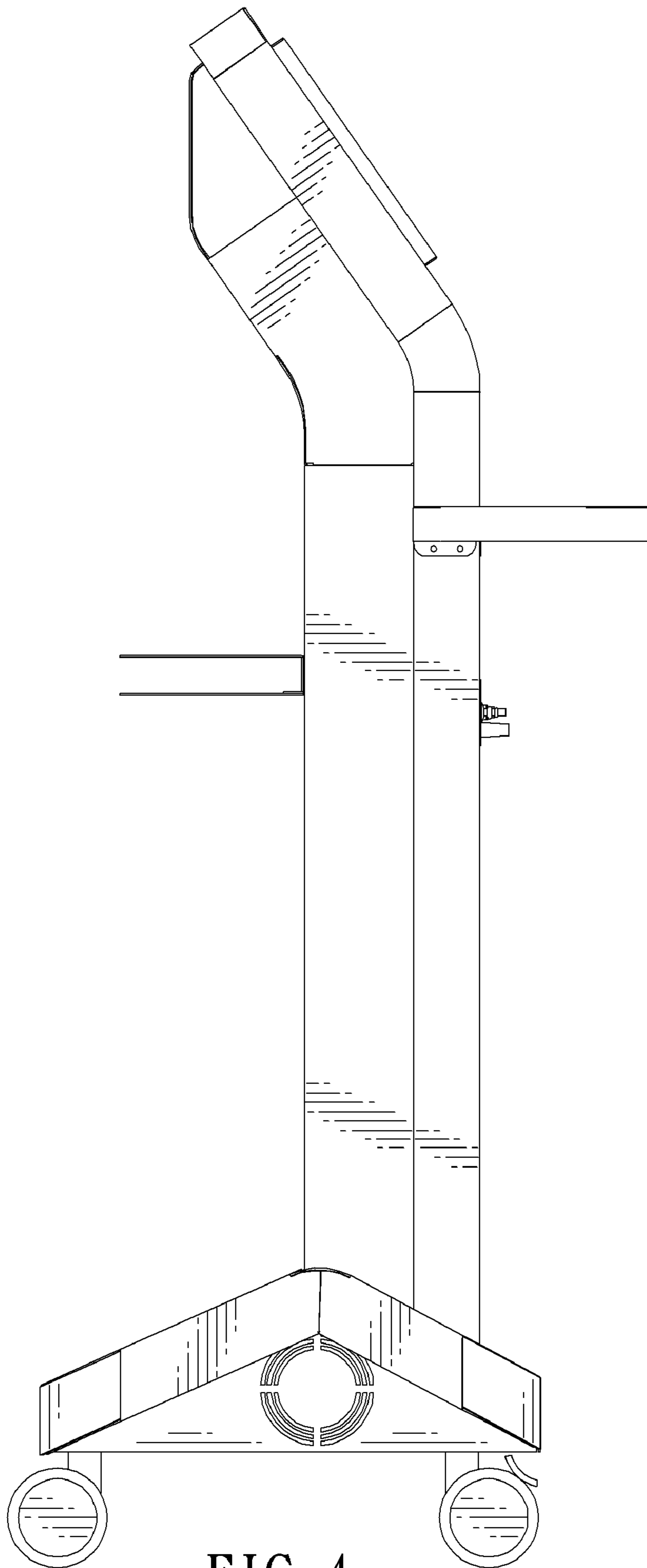


FIG. 4

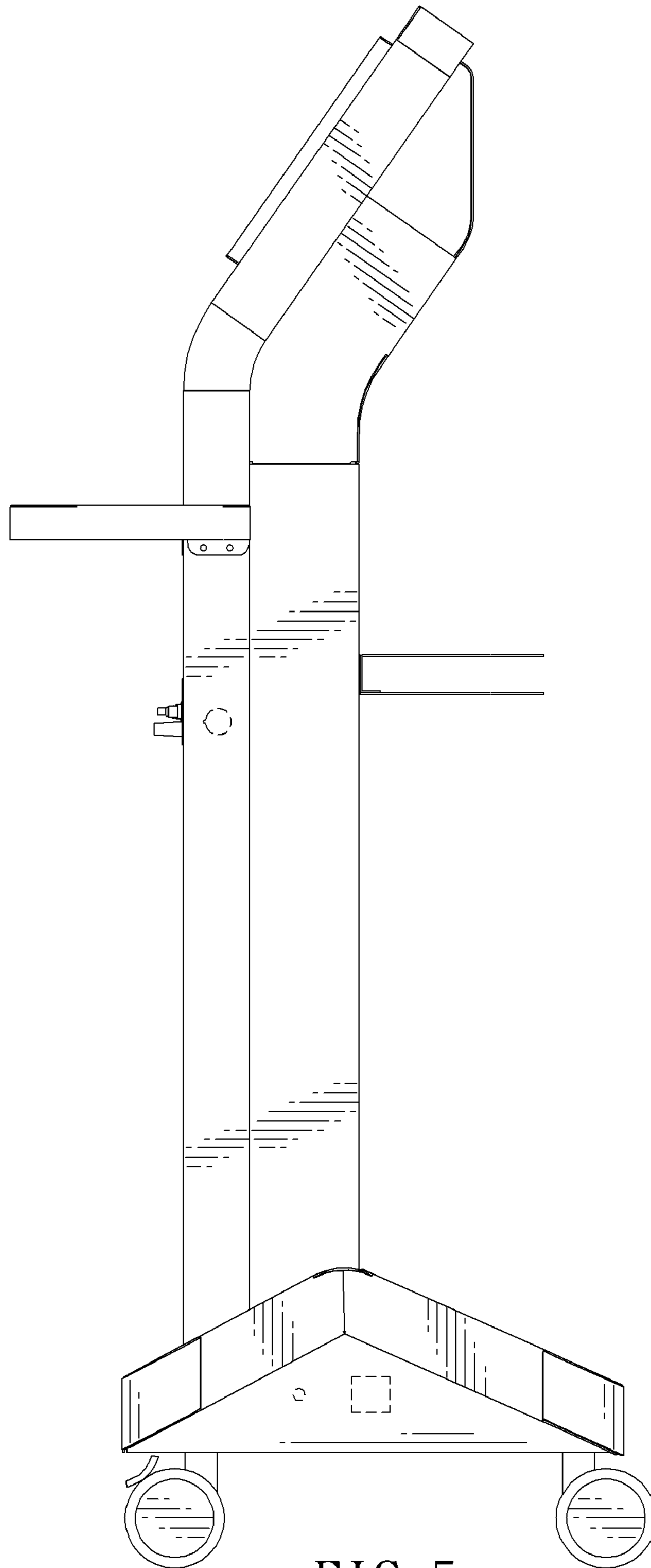


FIG. 5

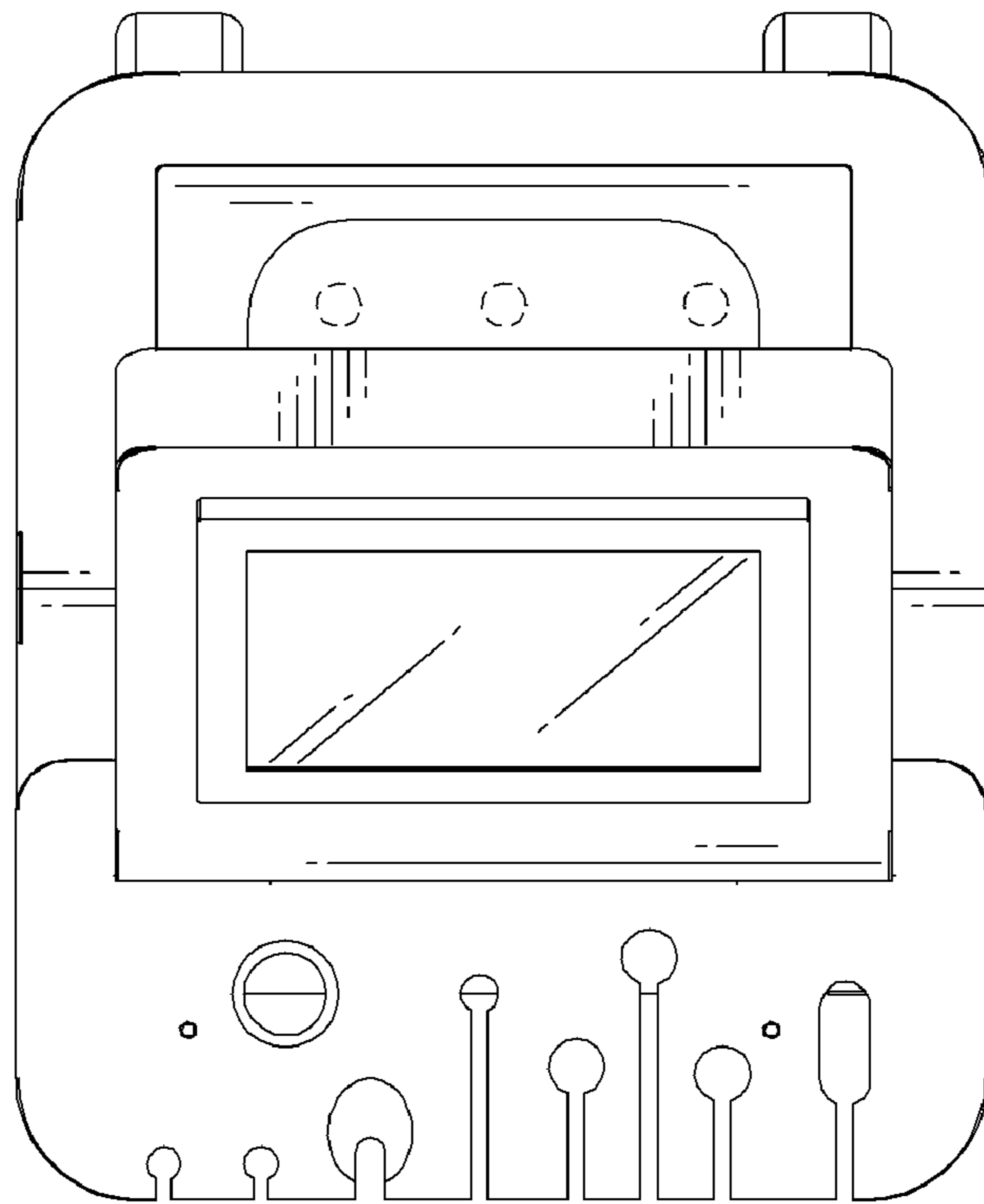


FIG. 6

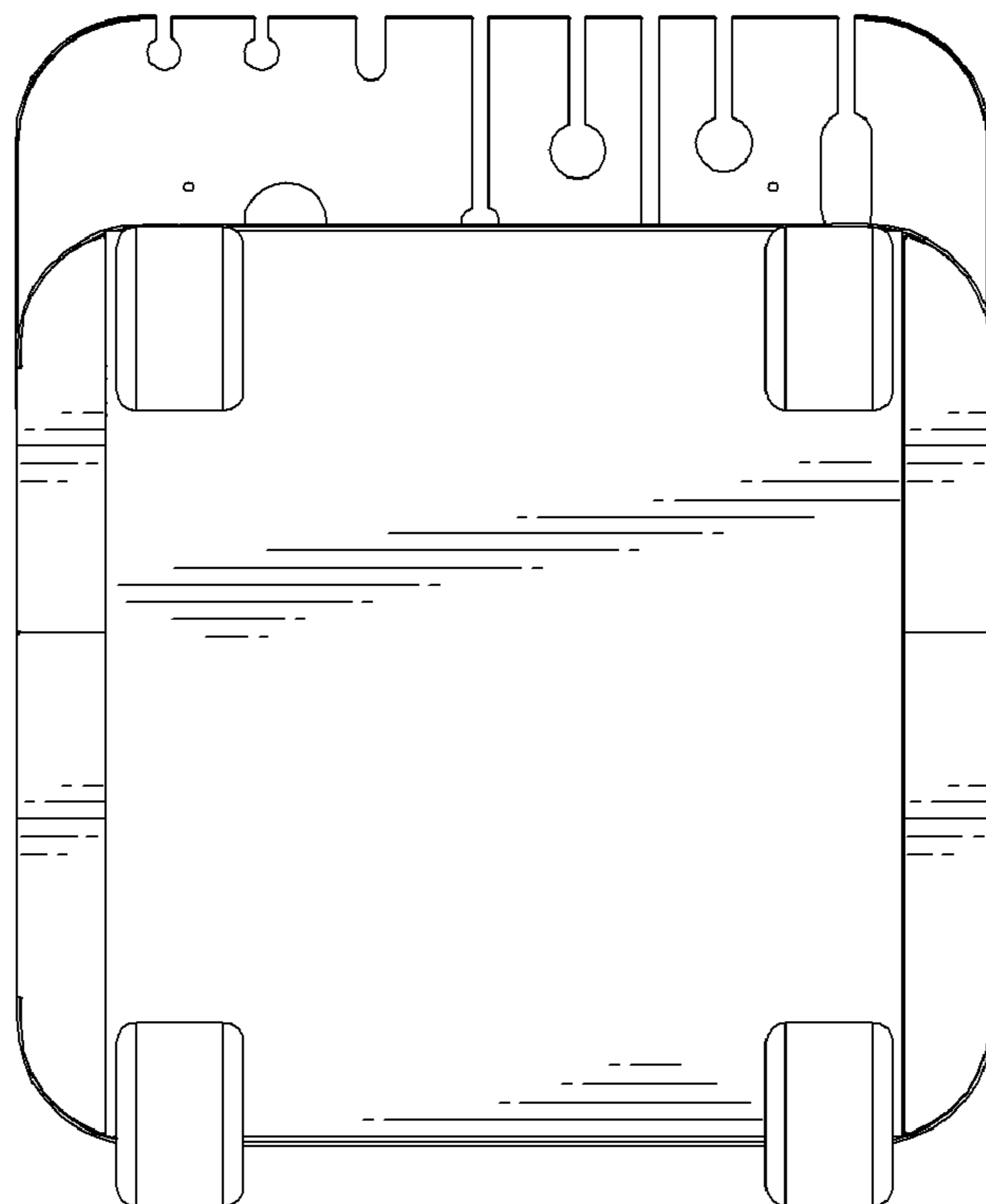


FIG. 7