



US00D628741S

(12) **United States Design Patent**
Uehara et al.

(10) **Patent No.:** **US D628,741 S**
(45) **Date of Patent:** **** Dec. 7, 2010**

(54) **DEVICE FOR APPLYING LIP COSMETICS**

(75) Inventors: **Kazuyuki Uehara**, Tokyo (JP); **Yu Saito**, Tokyo (JP); **Kenko Kurita**, Tokyo (JP)

(73) Assignee: **Kao Corporation**, Tokyo (JP)

(**) Term: **14 Years**

(21) Appl. No.: **29/359,204**

(22) Filed: **Apr. 7, 2010**

(30) **Foreign Application Priority Data**

Oct. 9, 2009 (JP) 2009-023831

(51) **LOC (9) Cl.** **28-02**

(52) **U.S. Cl.** **D28/7**

(58) **Field of Classification Search** D28/7,
D28/8, 20–22, 30–31, 76, 85, 99; 132/108,
132/202, 208, 317, 320; 401/202–207, 261–267;
D4/132–135; D24/119

See application file for complete search history.

(56) **References Cited**

U.S. PATENT DOCUMENTS

2,901,100	A *	8/1959	Mueller et al.	401/11
D197,107	S	12/1963	Forgue		
D270,768	S	9/1983	Cassai et al.		
D272,100	S	1/1984	Cassai et al.		
D406,921	S	3/1999	Roeder		
D421,302	S	2/2000	Korteweg		
D432,721	S	10/2000	Lerolle		
D436,449	S	1/2001	Baltierra		
D496,756	S	9/2004	McGhee		
D527,143	S	8/2006	Fischer		
D537,564	S *	2/2007	Montoli	D28/7
D538,975	S	3/2007	Montoli		
D539,982	S	4/2007	Nobuto et al.		
D541,979	S	5/2007	Montoli		
D544,644	S	6/2007	Hartstock et al.		
D566,331	S *	4/2008	Hartstock	D28/7

(Continued)

FOREIGN PATENT DOCUMENTS

JP D1238065 5/2005

(Continued)

OTHER PUBLICATIONS

U.S. Appl. No. 29/359,215, filed Apr. 7, 2010, Uehara, et al.

(Continued)

Primary Examiner—Janice E Seeger

Assistant Examiner—Zenia I Bennett

(74) *Attorney, Agent, or Firm*—Oblon, Spivak, McClelland, Maier & Neustadt, L.L.P.

(57) **CLAIM**

The ornamental design for a device for applying lip cosmetics, as shown and described.

DESCRIPTION

FIG. 1 is a top, front, and left side perspective view of a device for applying lip cosmetics;

FIG. 2 is a front elevational view thereof;

FIG. 3 is a rear elevational view thereof;

FIG. 4 is a left side elevational view thereof;

FIG. 5 is a right side elevational view thereof;

FIG. 6 is a top plan view thereof;

FIG. 7 is a bottom plan view thereof;

FIG. 8 is an enlarged view of FIG. 2;

FIG. 9 is an enlarged view of FIG. 4;

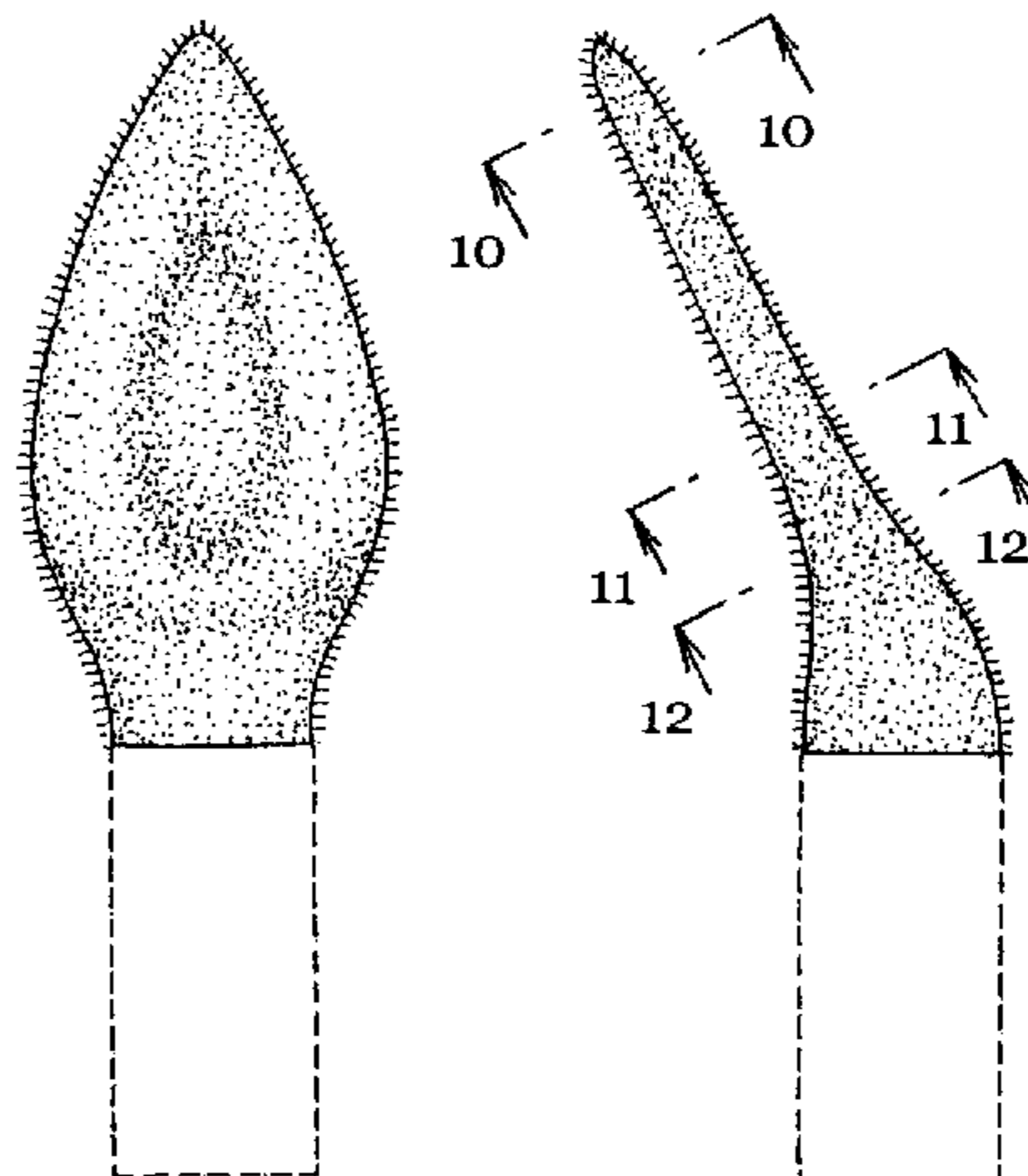
FIG. 10 is a cross-sectional view taken along line 10—10 from FIG. 9;

FIG. 11 is a cross-sectional view taken along line 11—11 from FIG. 9; and,

FIG. 12 is a cross-sectional view taken along line 12—12 from FIG. 9.

The broken lines in the drawings depict environmental subject matter only and form no part of the claimed design.

1 Claim, 5 Drawing Sheets



US D628,741 S

Page 2

U.S. PATENT DOCUMENTS

D586,048 S 2/2009 Hartstock et al.
D614,347 S 4/2010 Uehara et al.
D617,045 S 6/2010 Uehara et al.
2004/0018037 A1 1/2004 Gueret
2007/0181143 A1 8/2007 Montoli

FOREIGN PATENT DOCUMENTS

JP D1265528 3/2006
JP 2008-12177 1/2008

TW D123472 7/2008
TW D123473 7/2008

OTHER PUBLICATIONS

Vogue, No. 4, vol. 198, received by the National Center for Industrial Property Information and Training (INPIT), Apr. 1, 2008, p. 31 (Japan Patent Office Design Section Known Material No. HB20003253).
Japanese Notice of Rejection, Design Application No. 2009-023831, mailed Jul. 6, 2010.

* cited by examiner

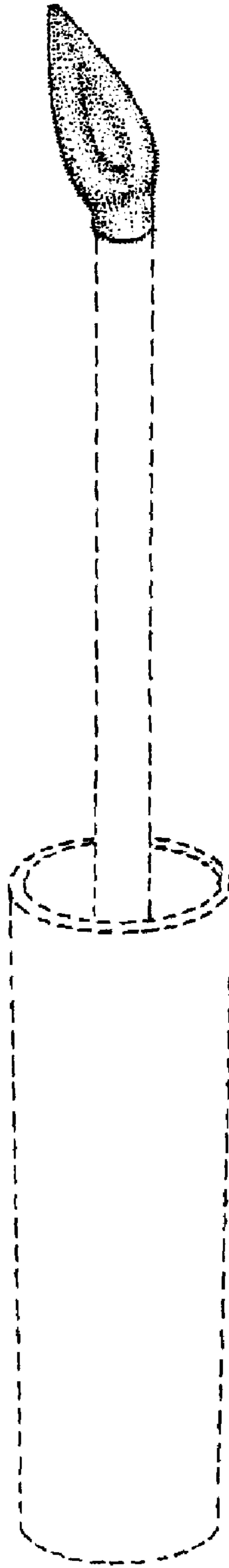


Fig. 1

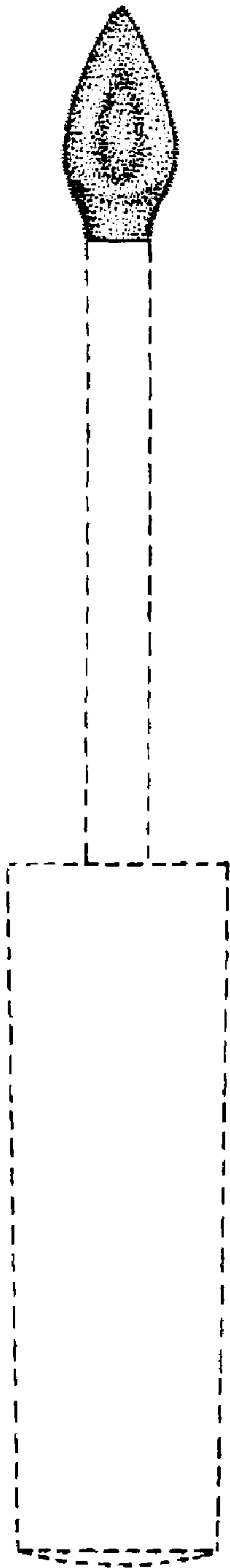


Fig. 2



Fig 3

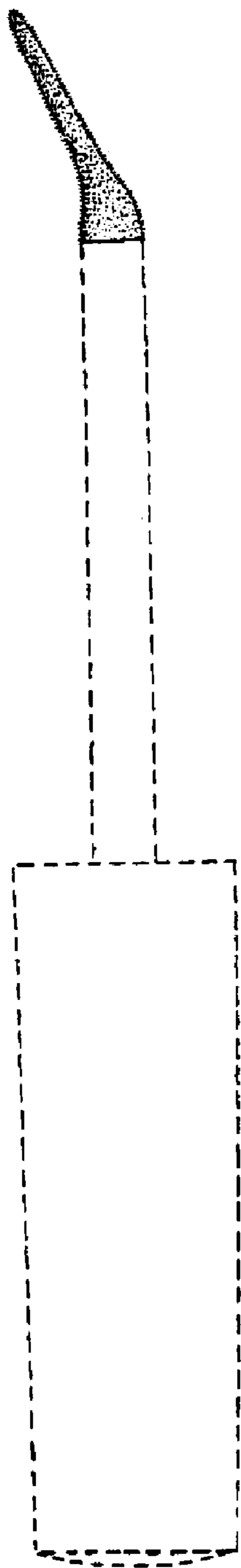


Fig. 4

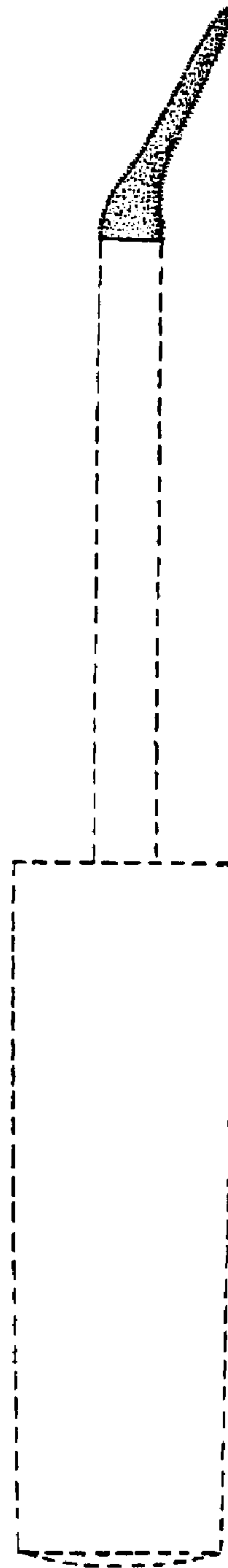


Fig. 5

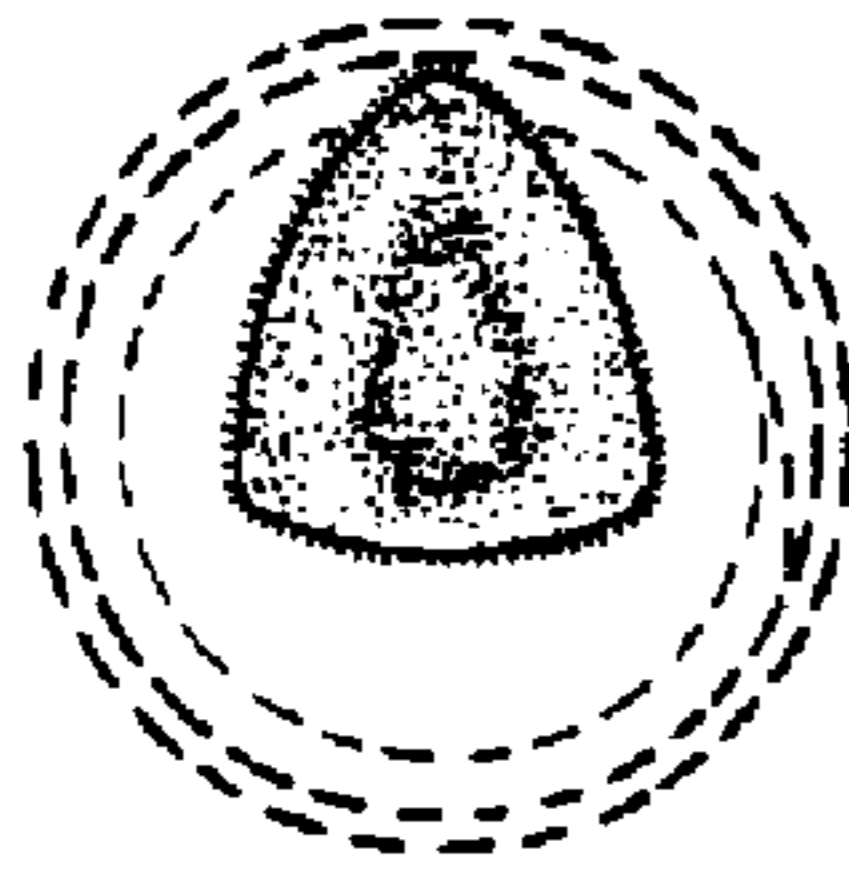


Fig. 6

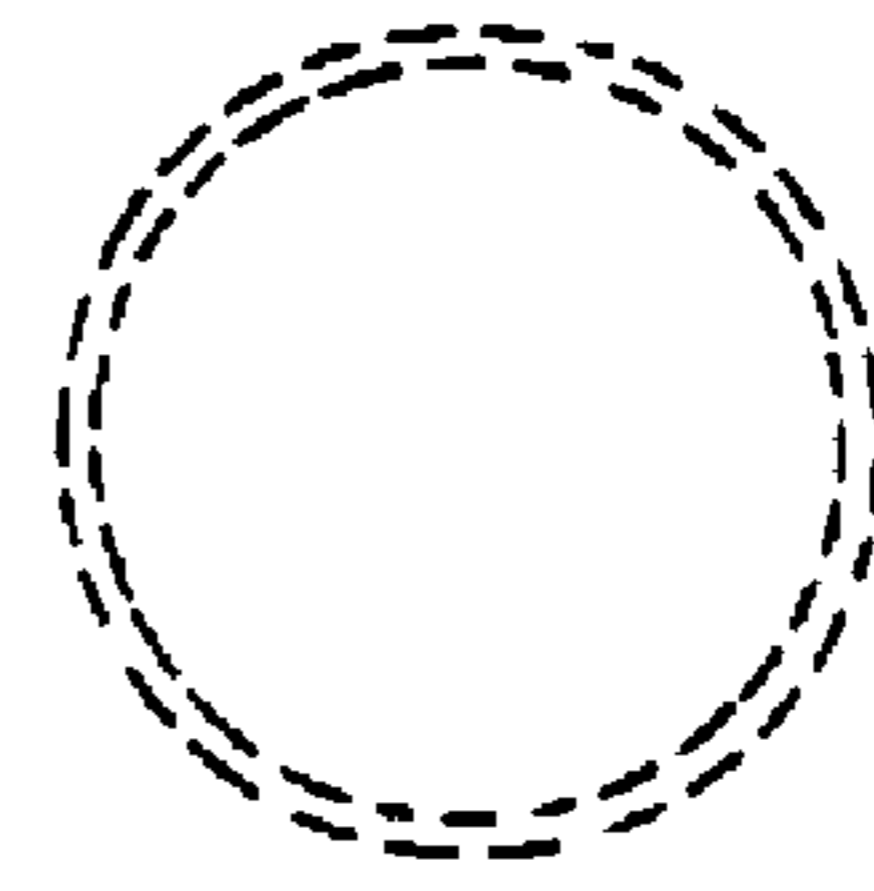


Fig. 7

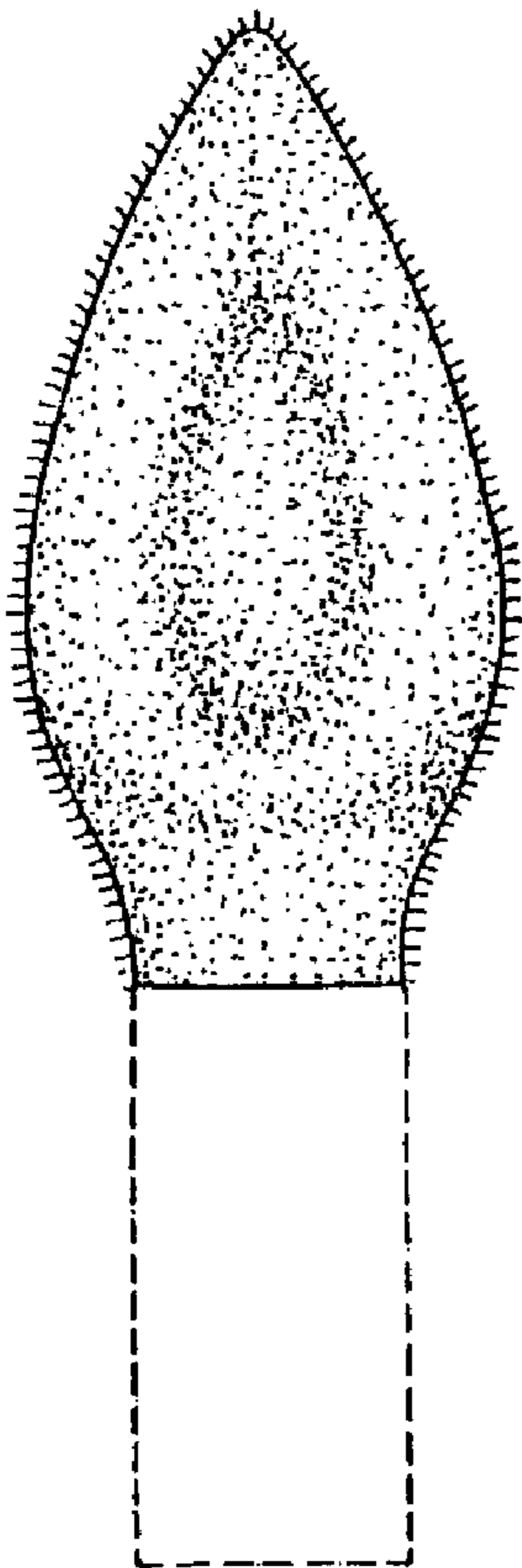


Fig. 8

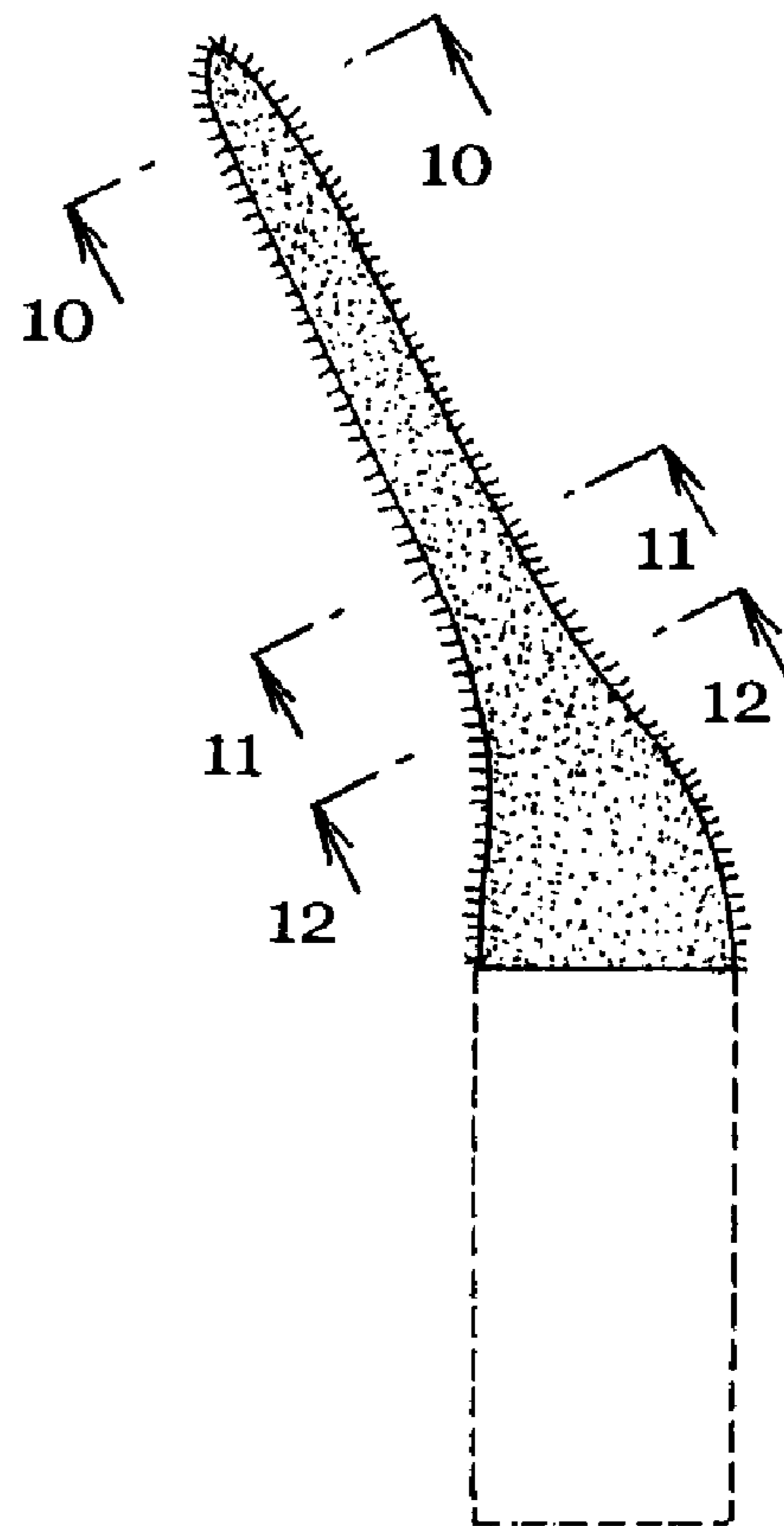


Fig. 9



Fig. 10

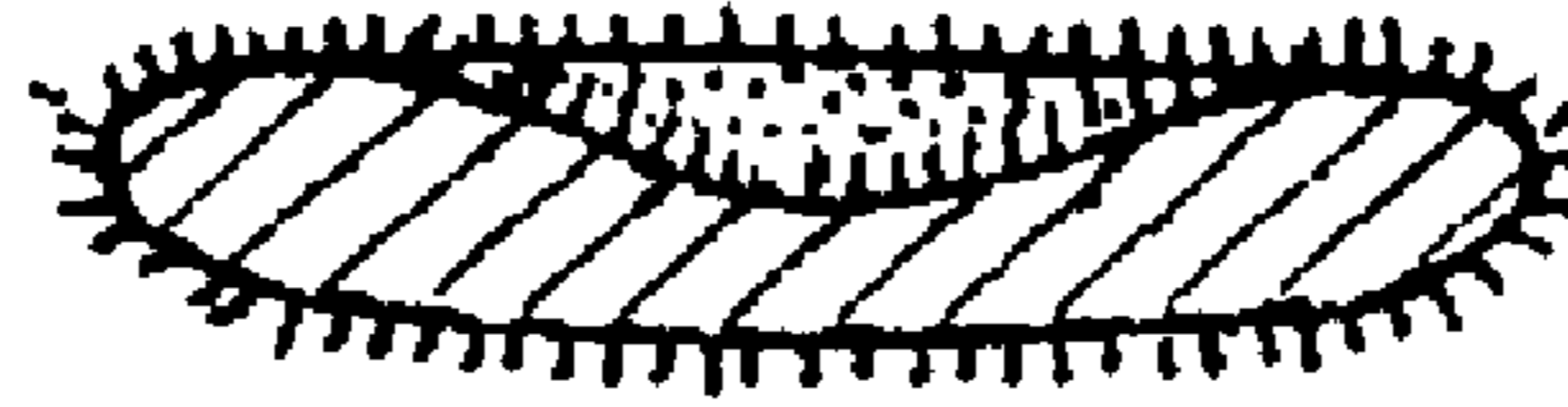


Fig. 11

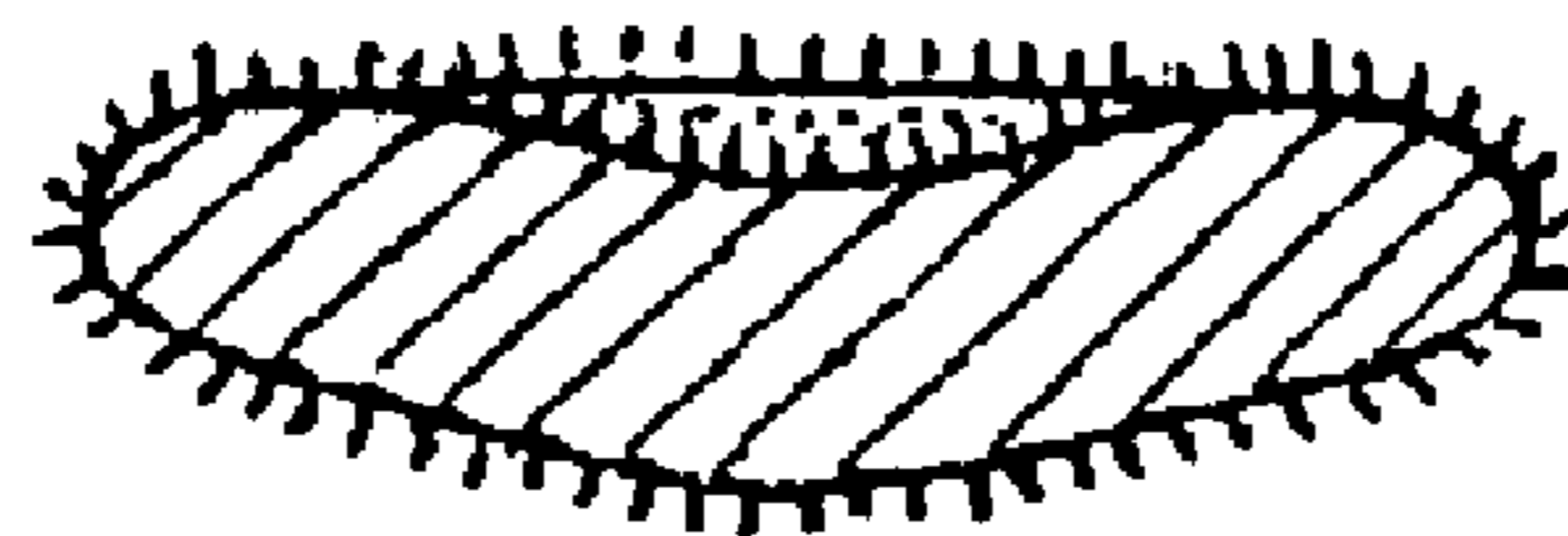


Fig. 12