



US00D628739S

(12) **United States Design Patent**
Lu

(10) **Patent No.:** **US D628,739 S**
(45) **Date of Patent:** **** Dec. 7, 2010**

(54) **LAMPSHADE**

(76) Inventor: **James Lu**, Kaiyilai Industrial Park,
Industrial Zone No. 388, Liangantian
Village, Pinghu Town, Longgang,
Shenzhen City, Guangdong Province
(CN)

(**) Term: **14 Years**

(21) Appl. No.: **29/342,697**

(22) Filed: **Aug. 31, 2009**

(51) **LOC (9) Cl.** **26-99**

(52) **U.S. Cl.** **D26/113**

(58) **Field of Classification Search** D13/179,
D13/180; D16/101, 135; D25/122, 124;
D26/9, 11, 22, 25, 56, 67, 71, 72, 74, 76,
D26/79, 84, 85, 88, 89, 113, 118, 119, 120,
D26/121, 122, 123, 124, 128, 129, 130, 134,
D26/137, 138, 139, 140, 141, 142, 152; 52/844;
359/811, 819; 362/145, 152, 219, 240, 241,
362/249.01, 249.02, 249.03, 249.04, 249.05,
362/249.06, 249.07, 249.08, 249.09, 249.1,
362/547, 555

See application file for complete search history.

(56) **References Cited**

U.S. PATENT DOCUMENTS

D236,909 S * 9/1975 Richilano D26/68
D266,958 S * 11/1982 Gernhardt D26/92
D370,287 S * 5/1996 Kay D26/67
D377,399 S * 1/1997 Kay D26/68
D385,643 S * 10/1997 Brohard et al. D26/71

D463,054 S * 9/2002 Huang D26/60
D476,440 S * 6/2003 Lee et al. D26/65
D482,481 S * 11/2003 Landefeld D26/71
D482,813 S * 11/2003 Waldmann D26/61
D526,340 S * 8/2006 Hodgson D16/135
D556,357 S * 11/2007 Butler et al. D26/71
D563,018 S * 2/2008 Nankil D26/70
D577,847 S * 9/2008 Ruud et al. D26/71
D578,698 S * 10/2008 Zheng D26/71
D580,085 S * 11/2008 Svensson D26/71
2004/0095773 A1 * 5/2004 Gaskins et al. 362/370
2006/0082994 A1 * 4/2006 Wang et al. 362/227

* cited by examiner

Primary Examiner—Cathron C Brooks
Assistant Examiner—Kevin K Rudzinski

(57) **CLAIM**

The ornamental design for lampshade, as shown and described.

DESCRIPTION

FIG. 1 is a front elevational view of a lampshade showing my new design;

FIG. 2 is a rear elevational view thereof;

FIG. 3 is a left side view thereof;

FIG. 4 is a right side view thereof;

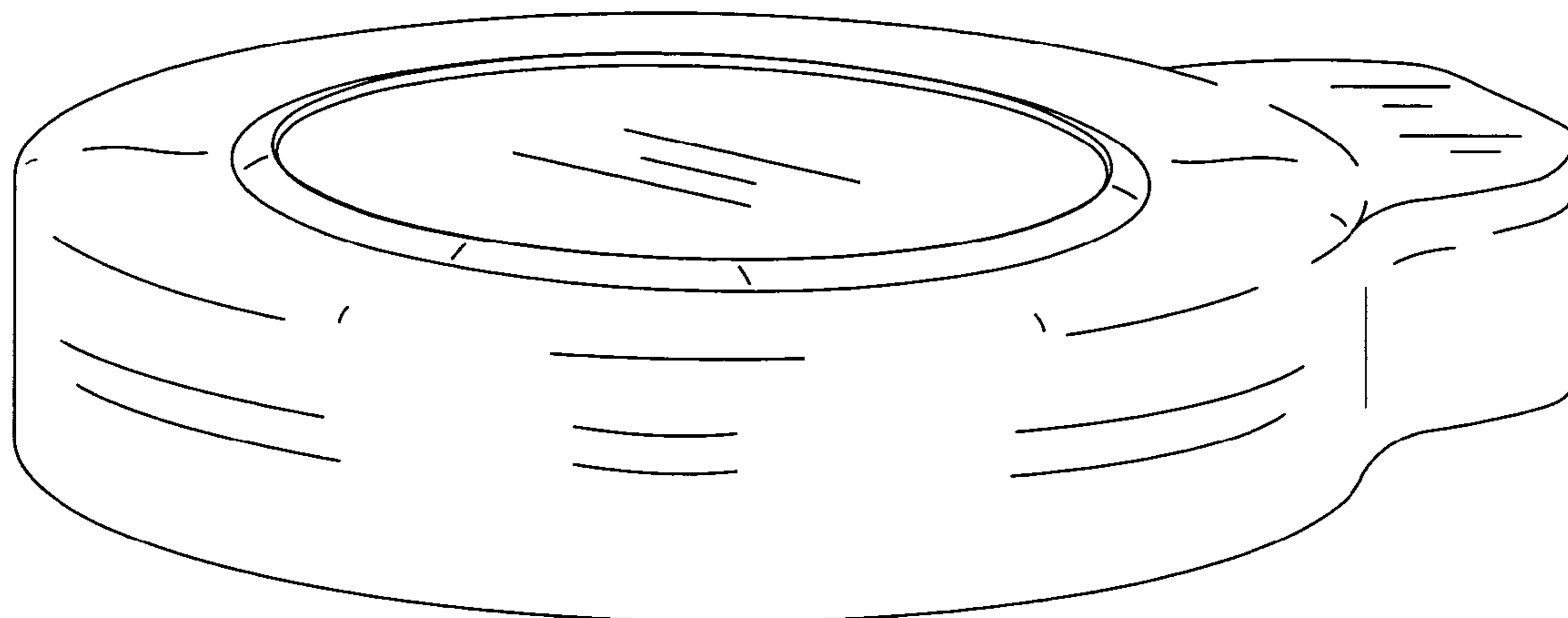
FIG. 5 is a top plan view thereof;

FIG. 6 is a bottom plan view thereof; and,

FIG. 7 is a perspective view thereof.

The broken lines shown form no part of the claimed design.

1 Claim, 5 Drawing Sheets



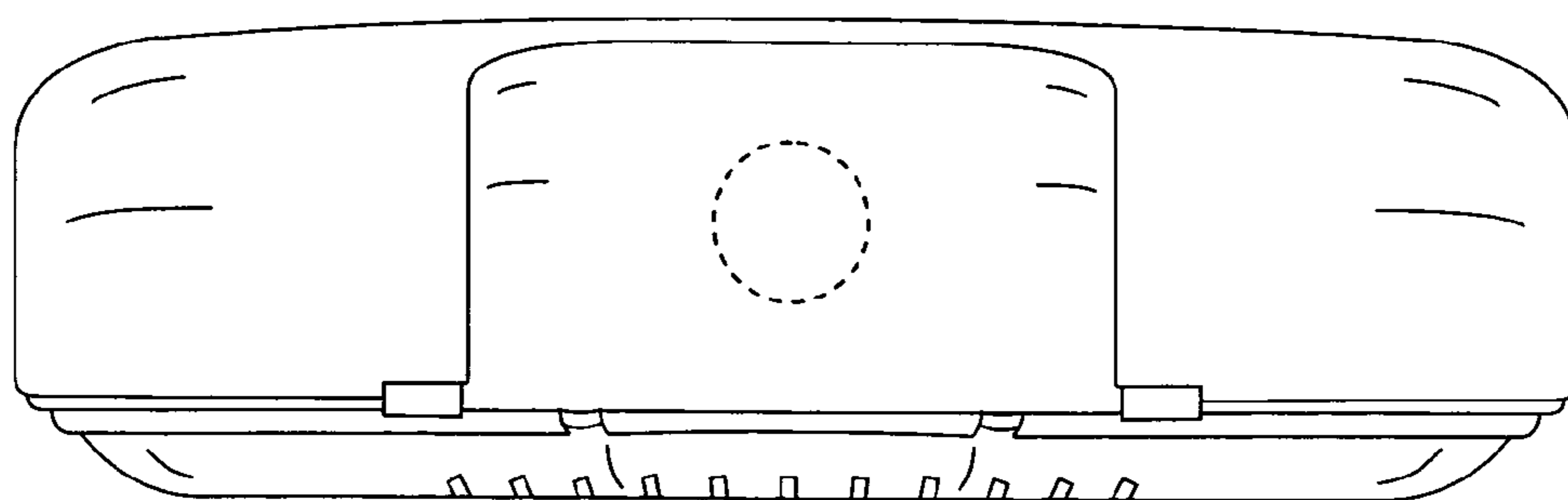


FIG. 1

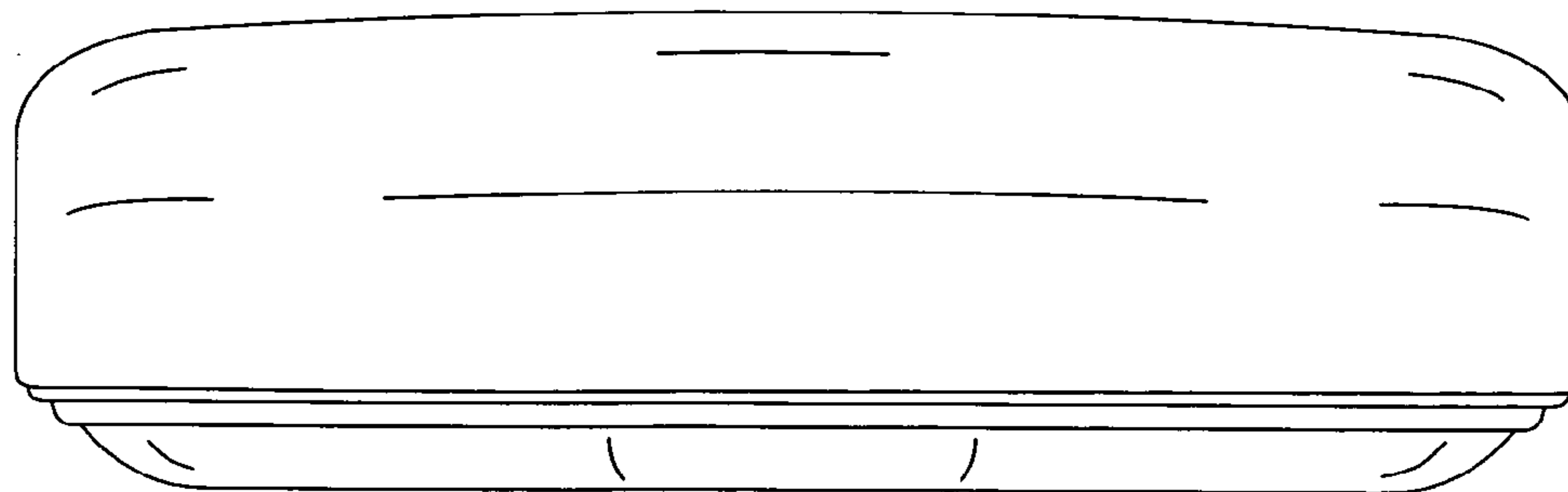


FIG. 2

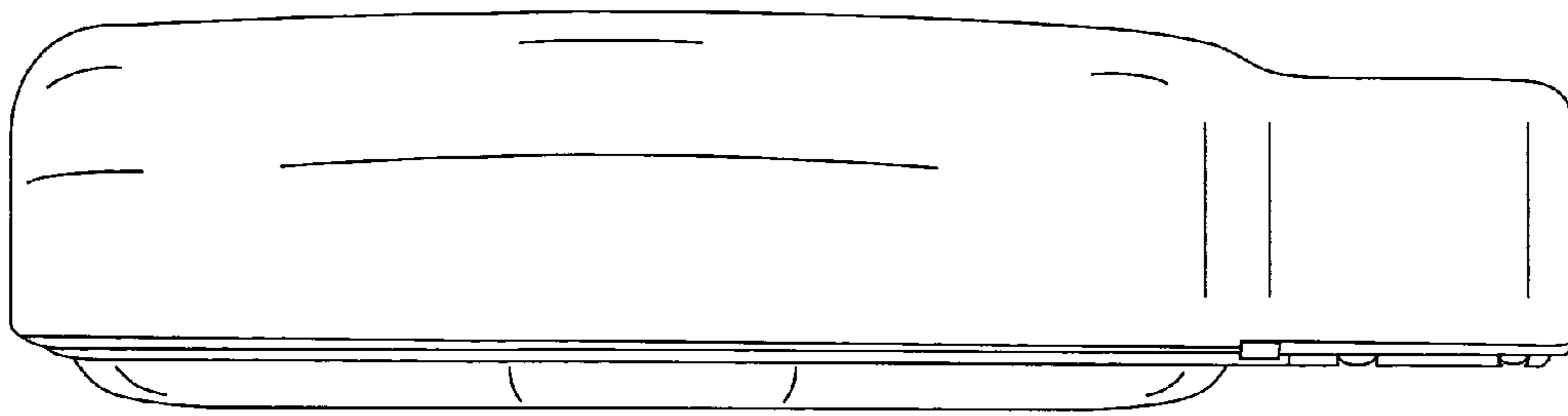


FIG. 3

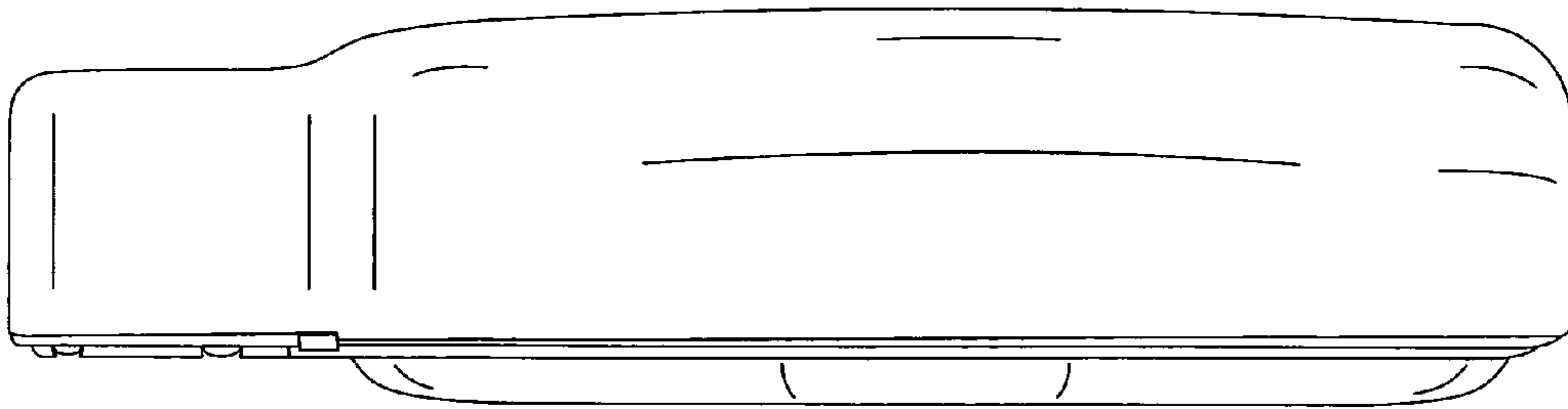


FIG. 4

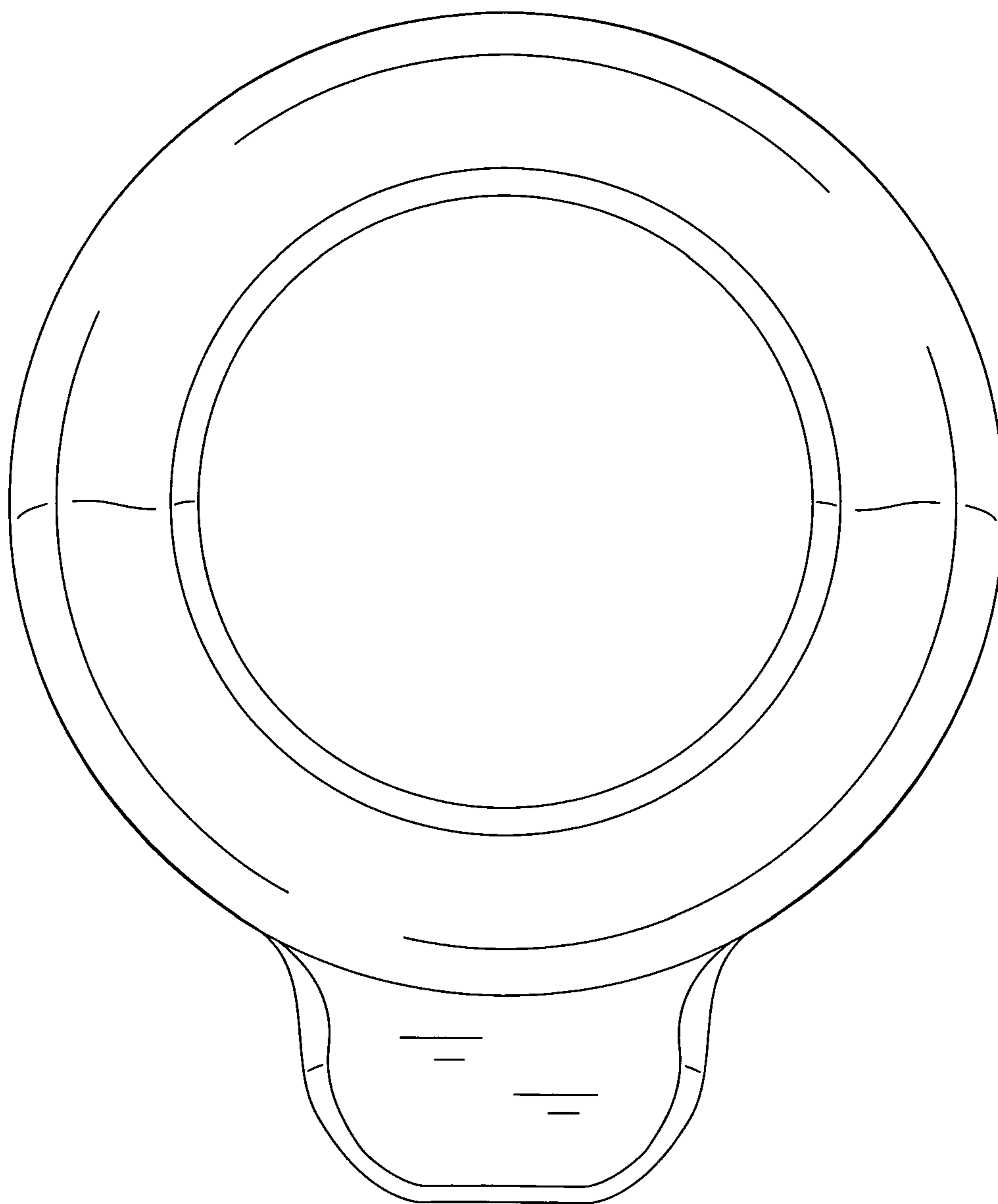


FIG. 5

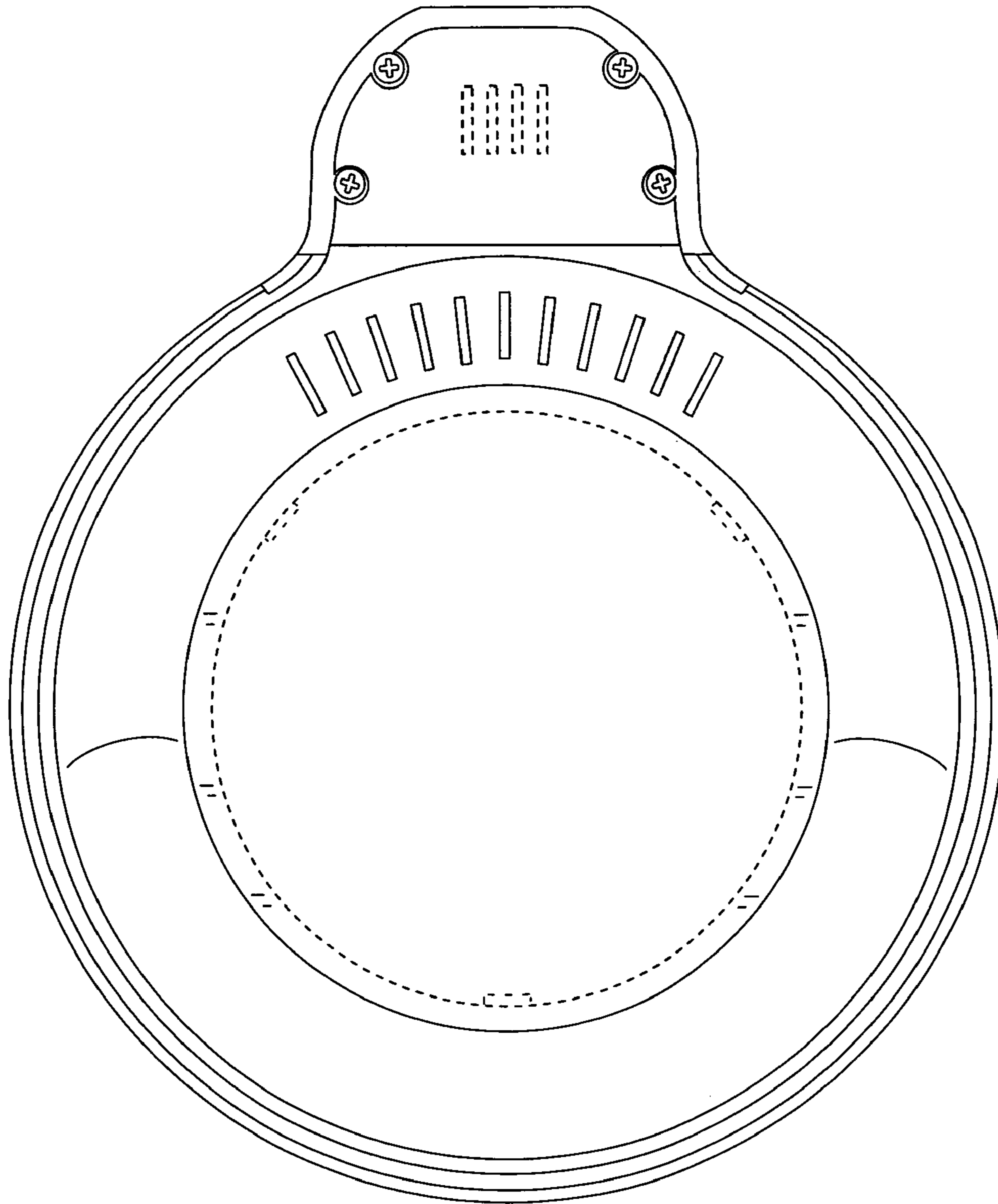


FIG. 6

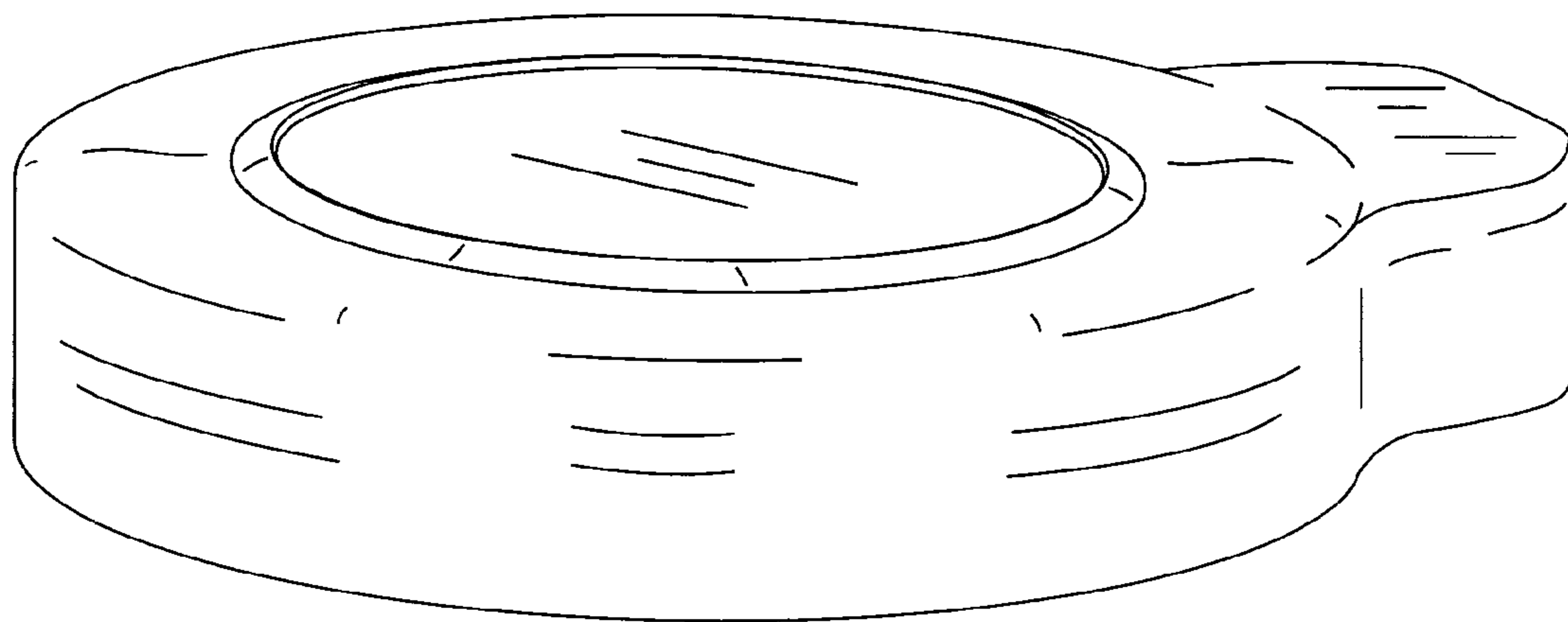


FIG. 7