



US00D628734S

(12) **United States Design Patent**  
**Waldmann**

(10) **Patent No.:** **US D628,734 S**  
(45) **Date of Patent:** **\*\* Dec. 7, 2010**

(54) **LAMP**

(75) Inventor: **Gerhard Waldmann**, Stein am Rhein  
(CH)

(73) Assignee: **Herbert Waldmann GmbH & Co. KG**,  
Villingen-Schwenningen (DE)

(\*\*) Term: **14 Years**

(21) Appl. No.: **29/356,740**

(22) Filed: **Mar. 2, 2010**

(30) **Foreign Application Priority Data**

Sep. 28, 2009 (DE) ..... 40 2009 004 611

(51) **LOC (9) Cl.** ..... **26-05**

(52) **U.S. Cl.** ..... **D26/74**

(58) **Field of Classification Search** ..... D26/72,  
D26/74, 75, 76, 77, 78, 79, 80, 81, 82, 83,  
D26/84, 85, 86, 88, 89, 90, 91, 1, 2, 3, 24,  
D26/56; D13/180, 182; 362/555, 576, 147,  
362/150, 217.01, 219, 217.02, 217.03, 217.04,  
362/217.05, 217.08, 217.09, 260, 364, 365,  
362/366, 404, 800

See application file for complete search history.

(56) **References Cited**

**U.S. PATENT DOCUMENTS**

D161,700 S \* 1/1951 Marker ..... D26/76

D421,505 S \* 3/2000 Hastings et al. .... D26/76  
D543,305 S \* 5/2007 Wang ..... D26/60  
D589,199 S \* 3/2009 Pedersen ..... D26/85  
D589,638 S \* 3/2009 Collins ..... D26/72  
D595,444 S \* 6/2009 Shimomura ..... D26/76  
D603,079 S \* 10/2009 Toot et al. .... D26/76  
D607,599 S \* 1/2010 Zhou et al. .... D26/80  
D611,643 S \* 3/2010 Owen ..... D26/76  
D617,488 S \* 6/2010 Cho ..... D26/76

\* cited by examiner

*Primary Examiner*—Angela J Lee

(74) *Attorney, Agent, or Firm*—Lackenbach Siegel, LLP;  
Andrew F. Young

(57) **CLAIM**

The ornamental design for a lamp, as shown and described.

**DESCRIPTION**

FIG. 1 is a front perspective view of the invention.

FIG. 2 is a top plan view of FIG. 1.

FIG. 3 is an inverted right side elevation view of FIG. 1.

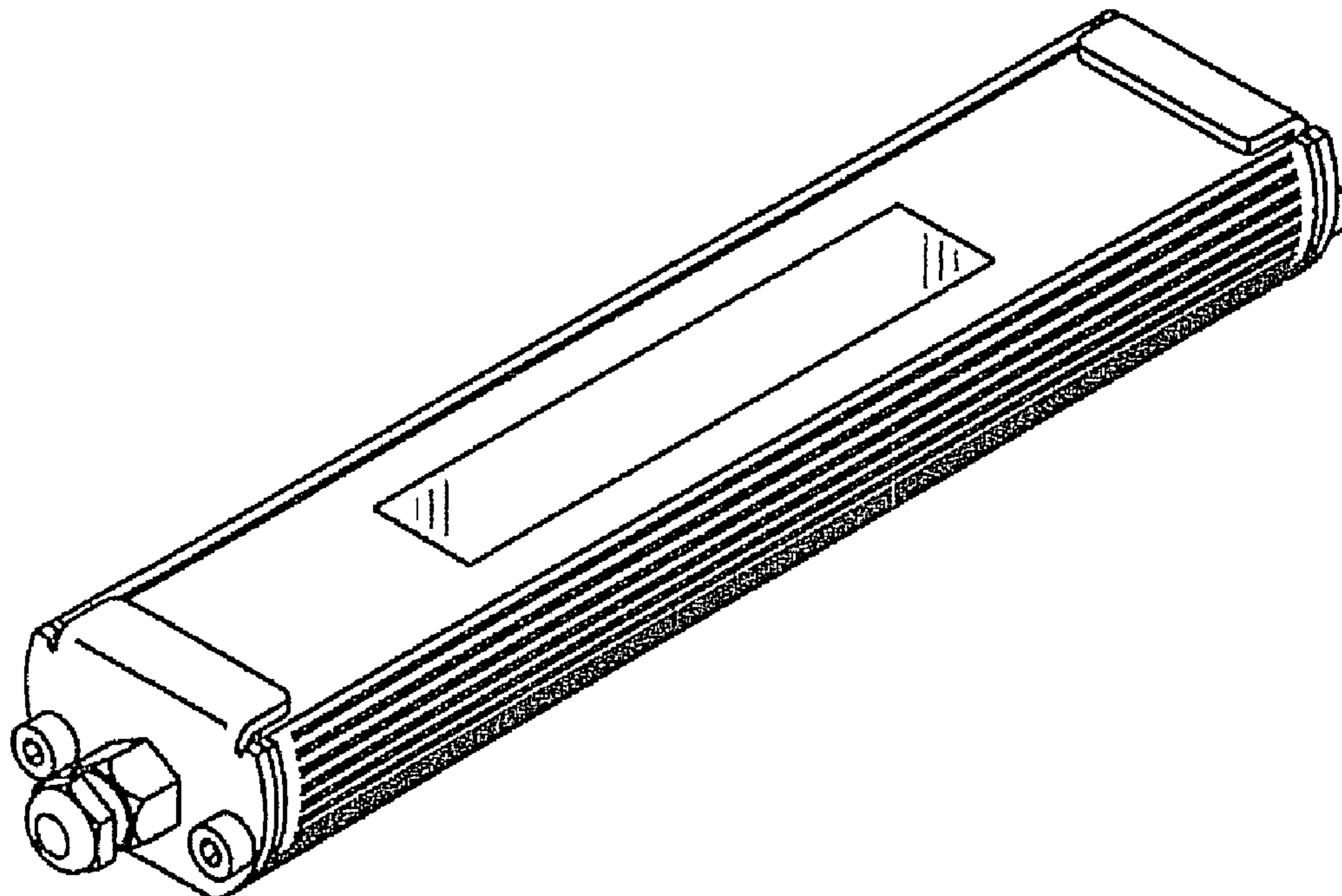
FIG. 4 is a bottom plan view of FIG. 1.

FIG. 5 is a left side elevation view of FIG. 1.

FIG. 6 is a rear elevation view of FIG. 1, in a raised position;  
and,

FIG. 7 is a front elevation view of FIG. 1, in a raised position.

**1 Claim, 4 Drawing Sheets**



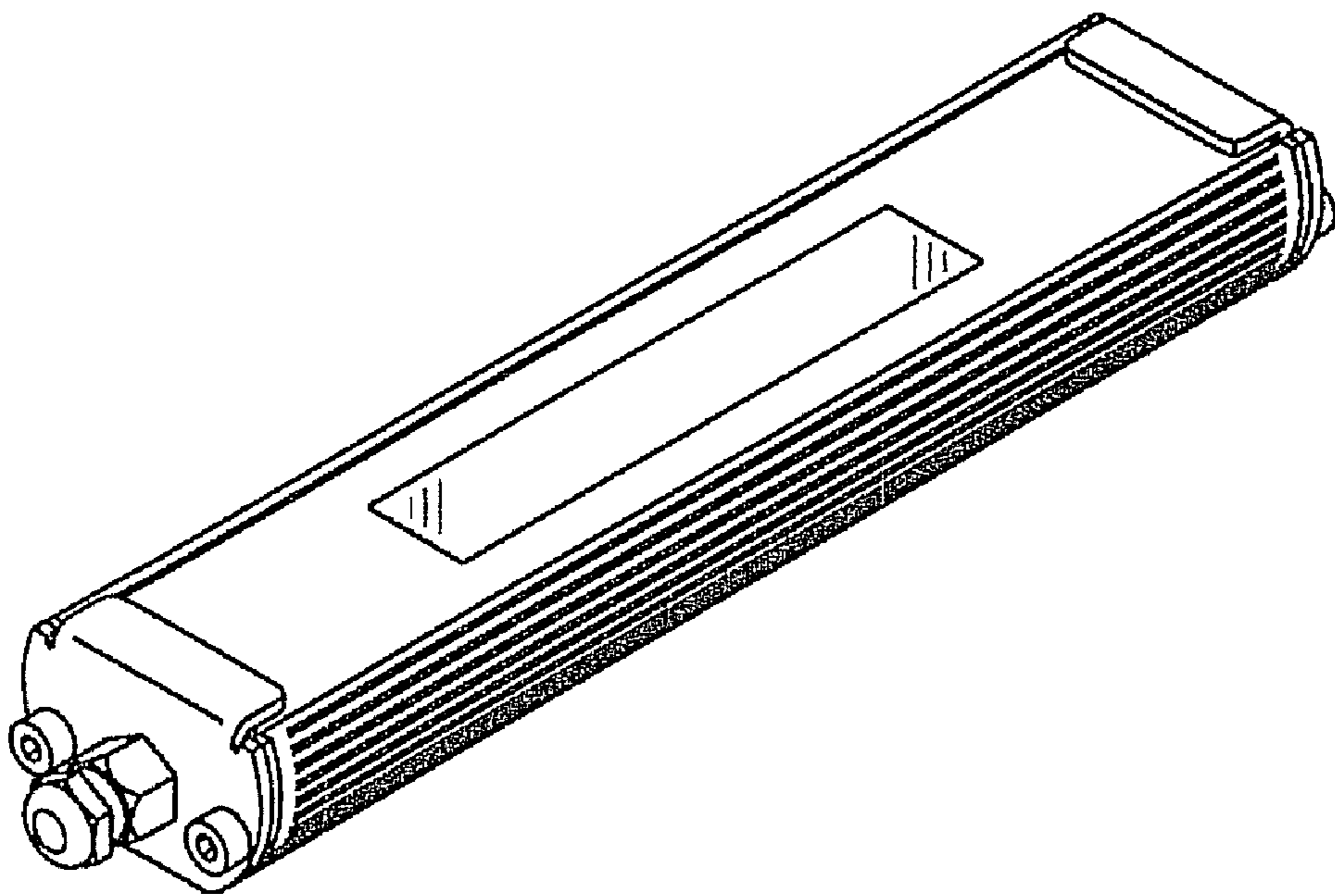


Fig. 1

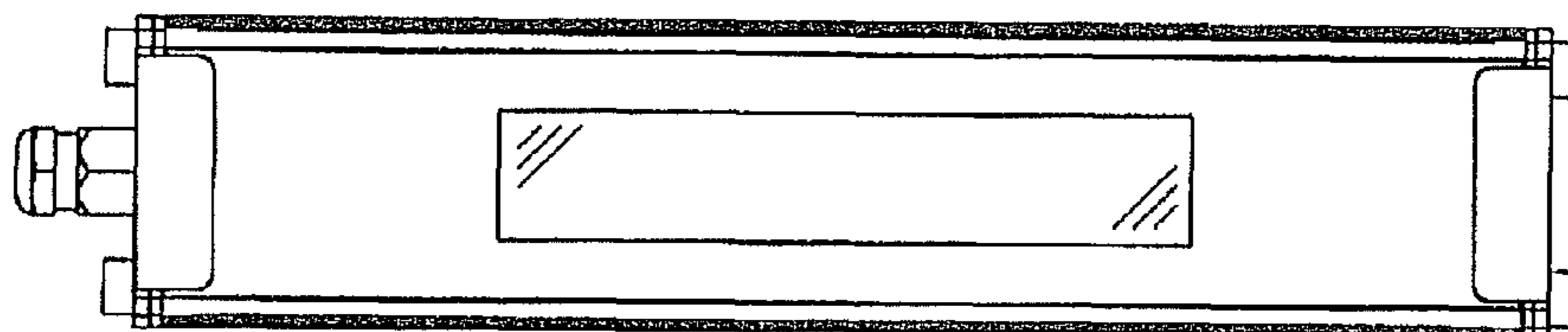


Fig. 2

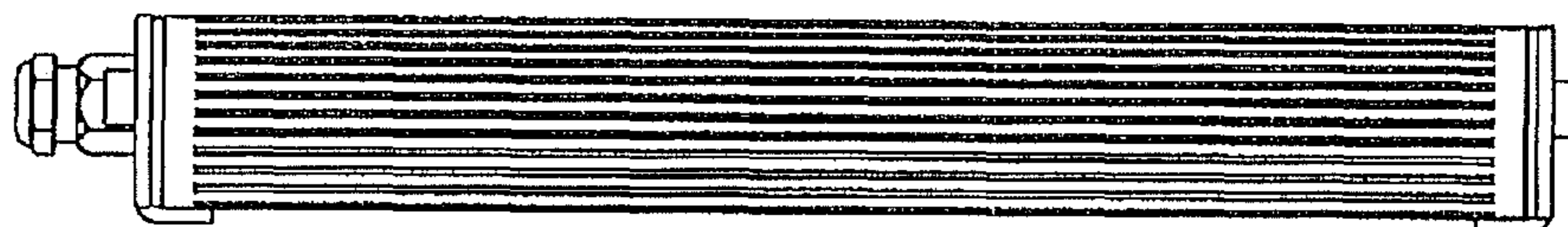


Fig. 3



Fig. 4

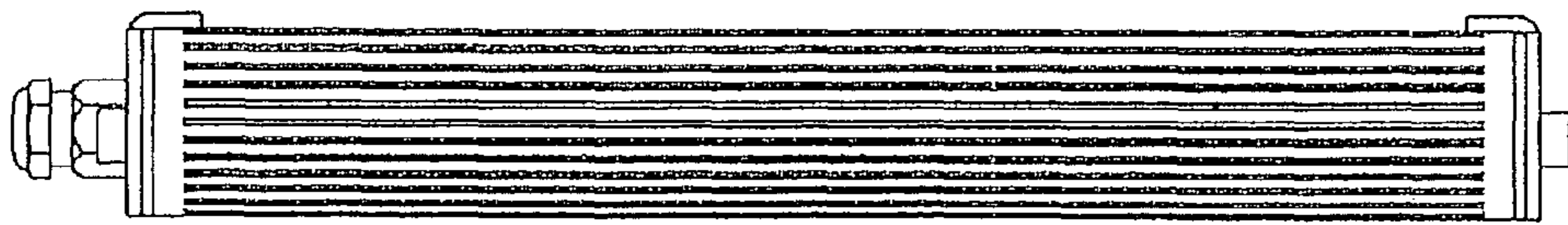


Fig. 5

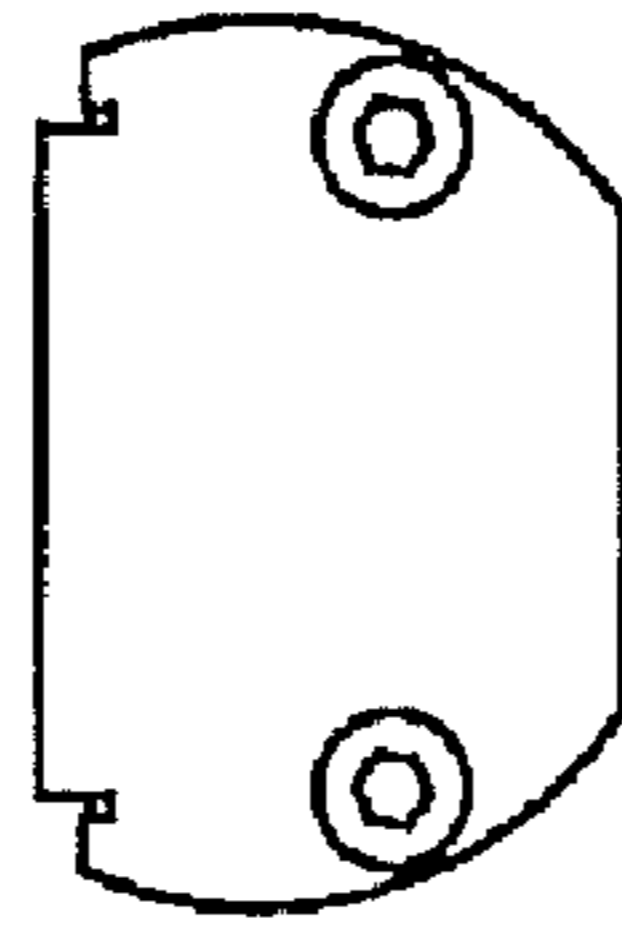


Fig. 6

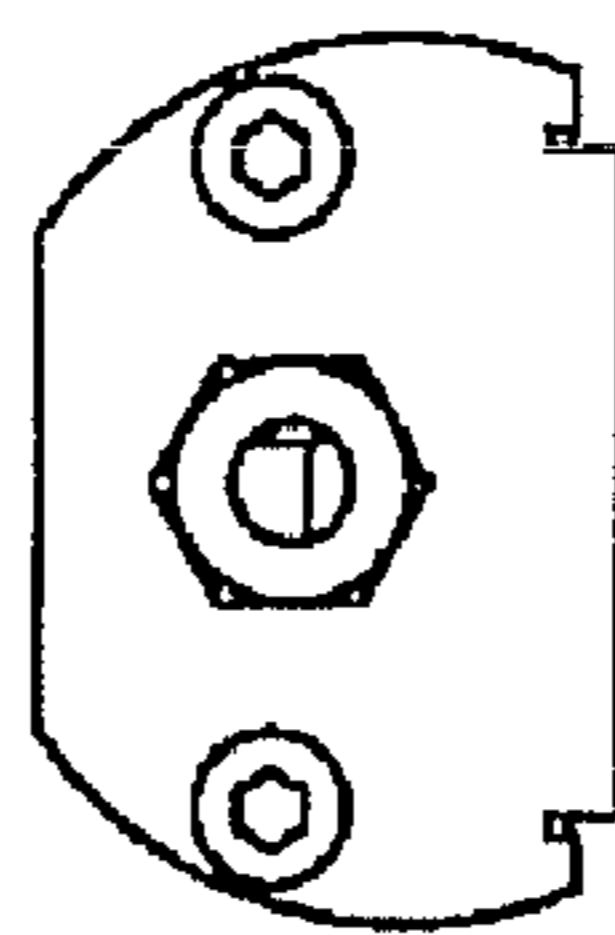


Fig. 7