



US00D628732S

(12) **United States Design Patent**
Chen

(10) **Patent No.:** **US D628,732 S**

(45) **Date of Patent:** **** Dec. 7, 2010**

(54) **SOLAR LAMP WITH FLOWER SHADE**

(75) Inventor: **Chi Gon Chen**, Guang Zhou (CN)

(73) Assignee: **International Development LLC**,
Roanoke, TX (US)

(**) Term: **14 Years**

(21) Appl. No.: **29/362,843**

(22) Filed: **Jun. 1, 2010**

(51) **LOC (9) Cl.** **26-05**

(52) **U.S. Cl.** **D26/68**

(58) **Field of Classification Search** D26/67-71,
D26/73, 85, 101, 125, 128; 362/147, 152,
362/153, 153.1, 183, 185, 431, 653
See application file for complete search history.

(56) **References Cited**

U.S. PATENT DOCUMENTS

| | | | | |
|--------------|--------|-----------|-------|---------|
| D29,368 S * | 9/1898 | MacIntire | | D26/24 |
| D76,001 S * | 8/1928 | Broch | | D6/412 |
| D149,729 S * | 5/1948 | Aronek | | D26/101 |
| D264,255 S * | 5/1982 | Stohl | | D26/101 |
| D354,149 S * | 1/1995 | Kay | | D26/68 |
| D372,325 S * | 7/1996 | Hackworth | | D26/128 |
| D439,692 S * | 3/2001 | Kung | | D26/68 |
| D441,478 S * | 5/2001 | Lindsay | | D26/68 |

| | | | | |
|--------------|--------|---------|-------|--------|
| D443,376 S * | 6/2001 | Lindsay | | D26/68 |
| D459,824 S * | 7/2002 | Leen | | D26/73 |
| D469,908 S * | 2/2003 | Chen | | D26/67 |
| D615,686 S * | 5/2010 | Chen | | D26/68 |

* cited by examiner

Primary Examiner—Clare E Heflin

(74) *Attorney, Agent, or Firm*—David W. Carstens; Carstens & Cahoon, LLP

(57) **CLAIM**

The ornamental design for a solar lamp with flower shade, as shown and described.

DESCRIPTION

FIG. 1 is a perspective view of the solar lamp with flower shade of the present invention;

FIG. 2 is a front elevation view thereof; the rear elevation view being a mirror image thereof;

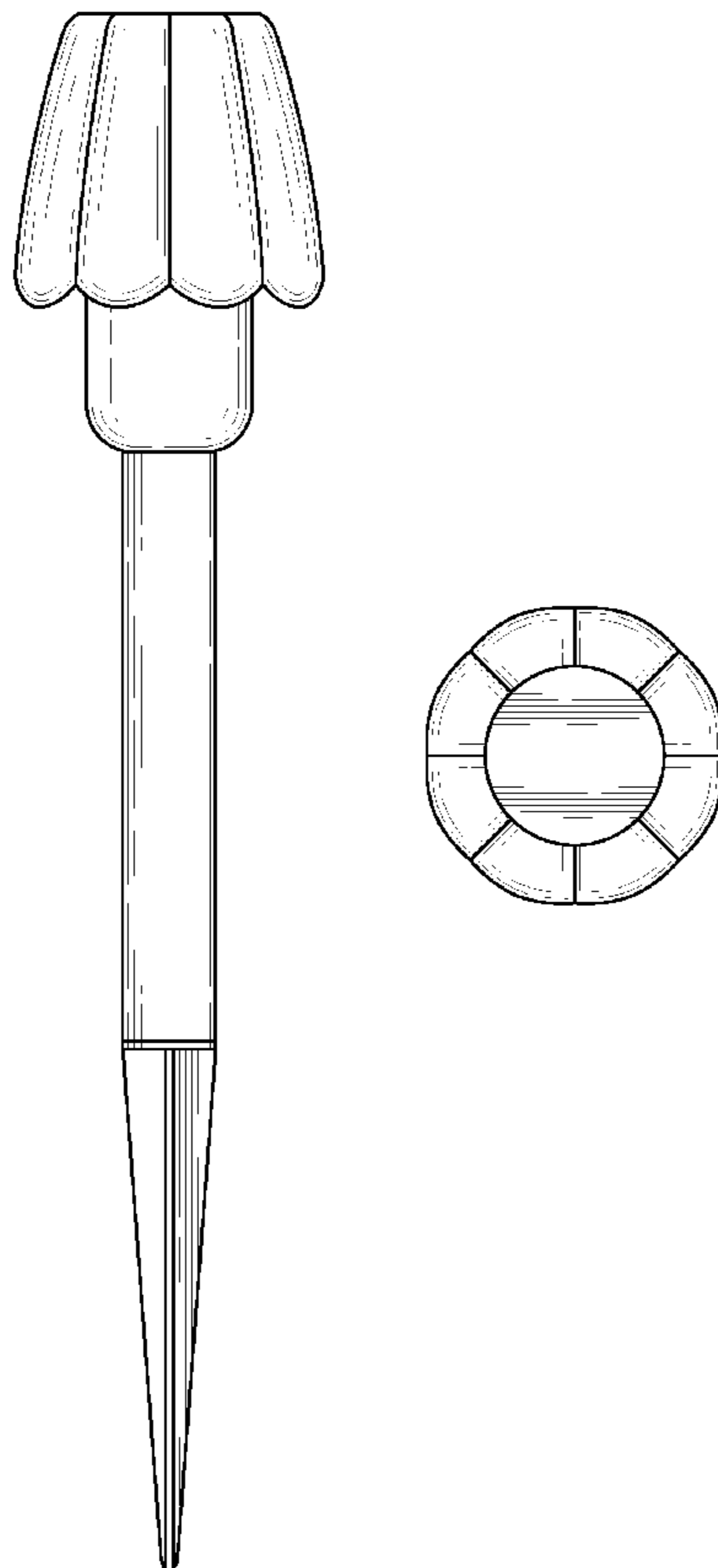
FIG. 3 is a left side elevation view thereof; the right side elevation view being a mirror image thereof;

FIG. 4 is a bottom plan view thereof; and,

FIG. 5 is a top plan view thereof.

The broken lines shown on the drawings depict portions of the solar lamp that form no part of the claimed design.

1 Claim, 2 Drawing Sheets



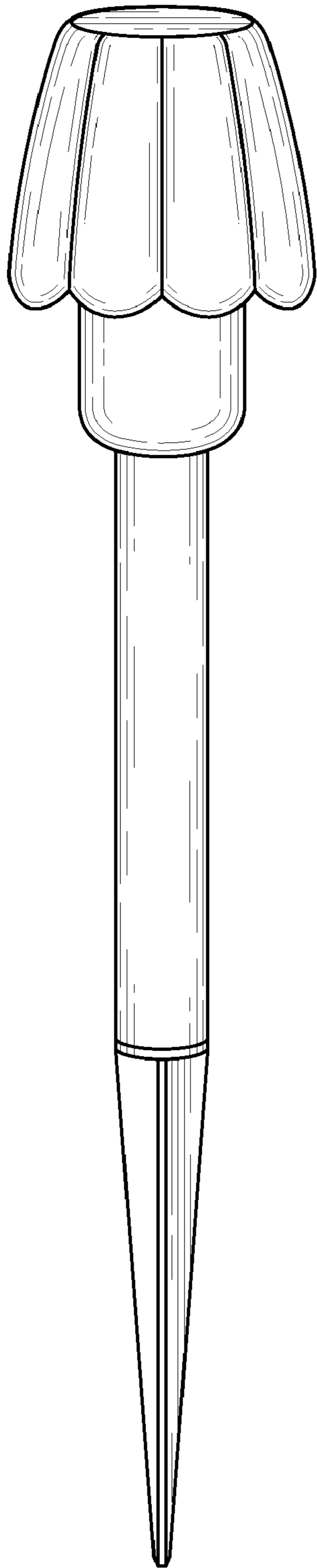


FIG. 1

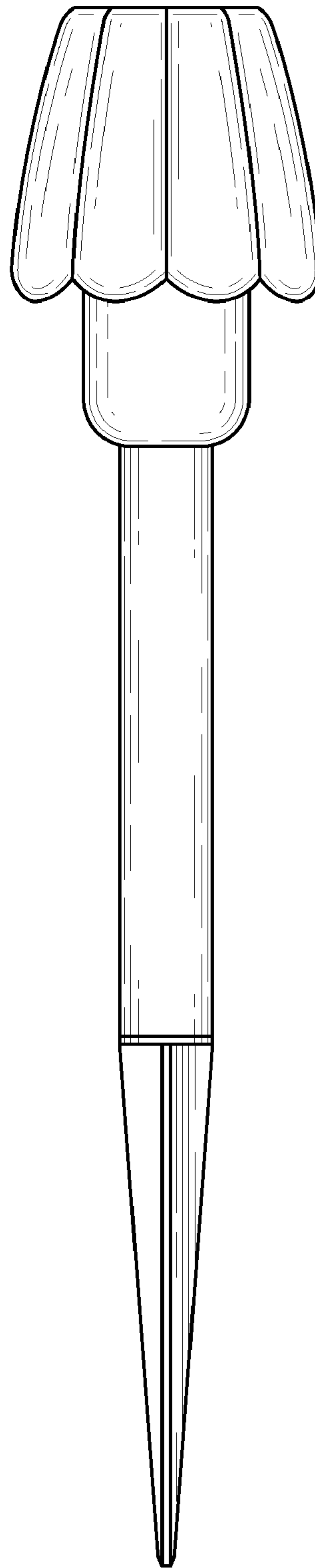


FIG. 2

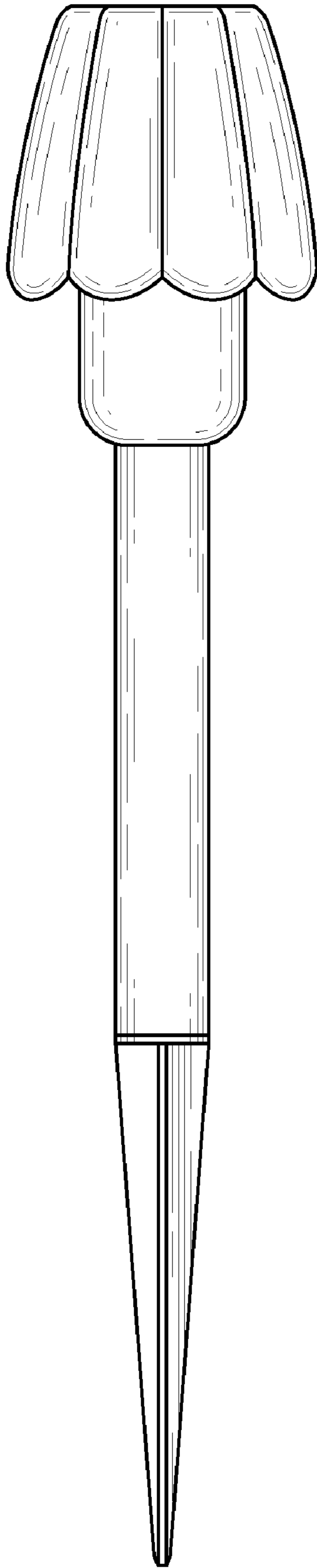


FIG. 3

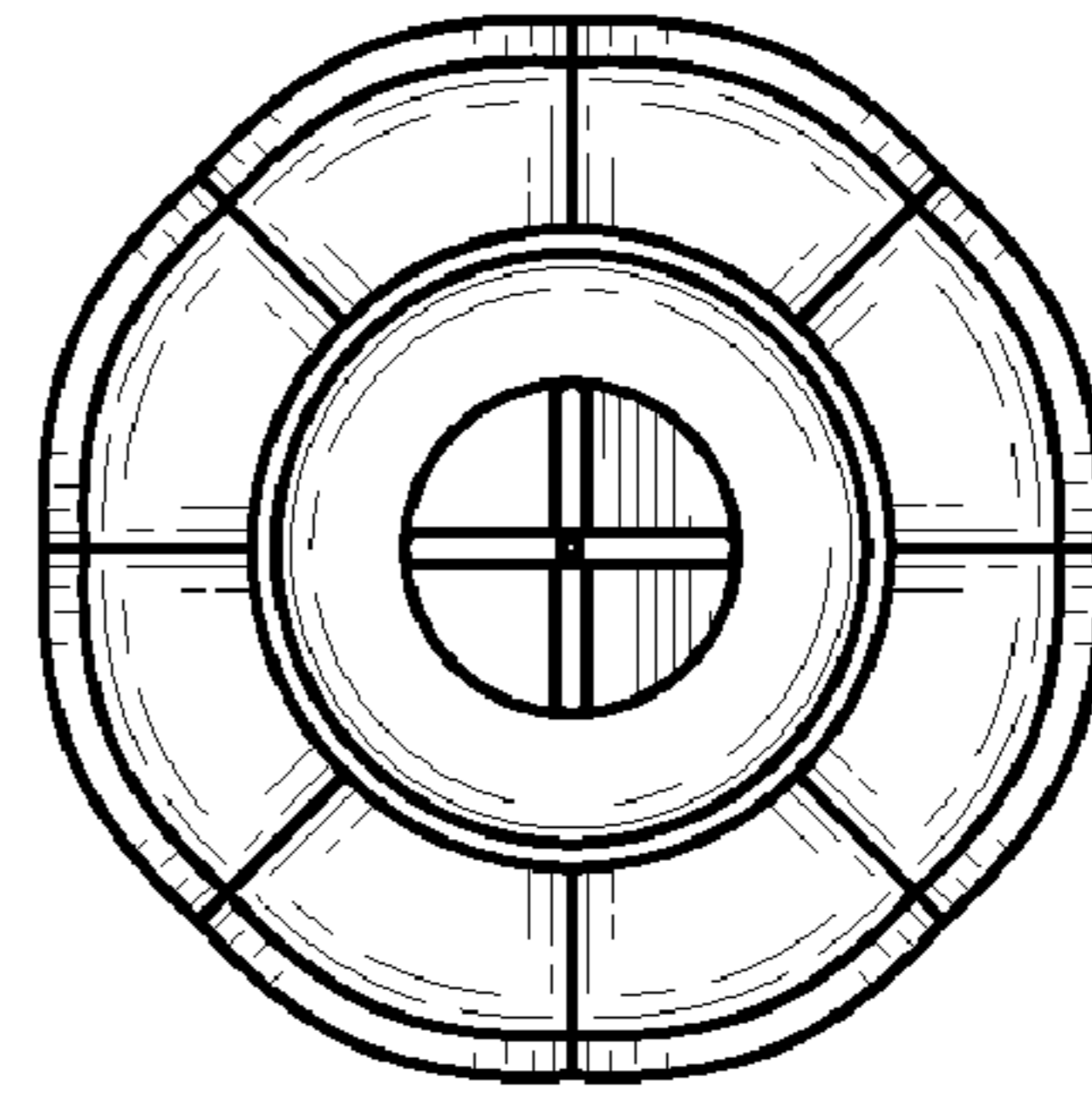


FIG. 4

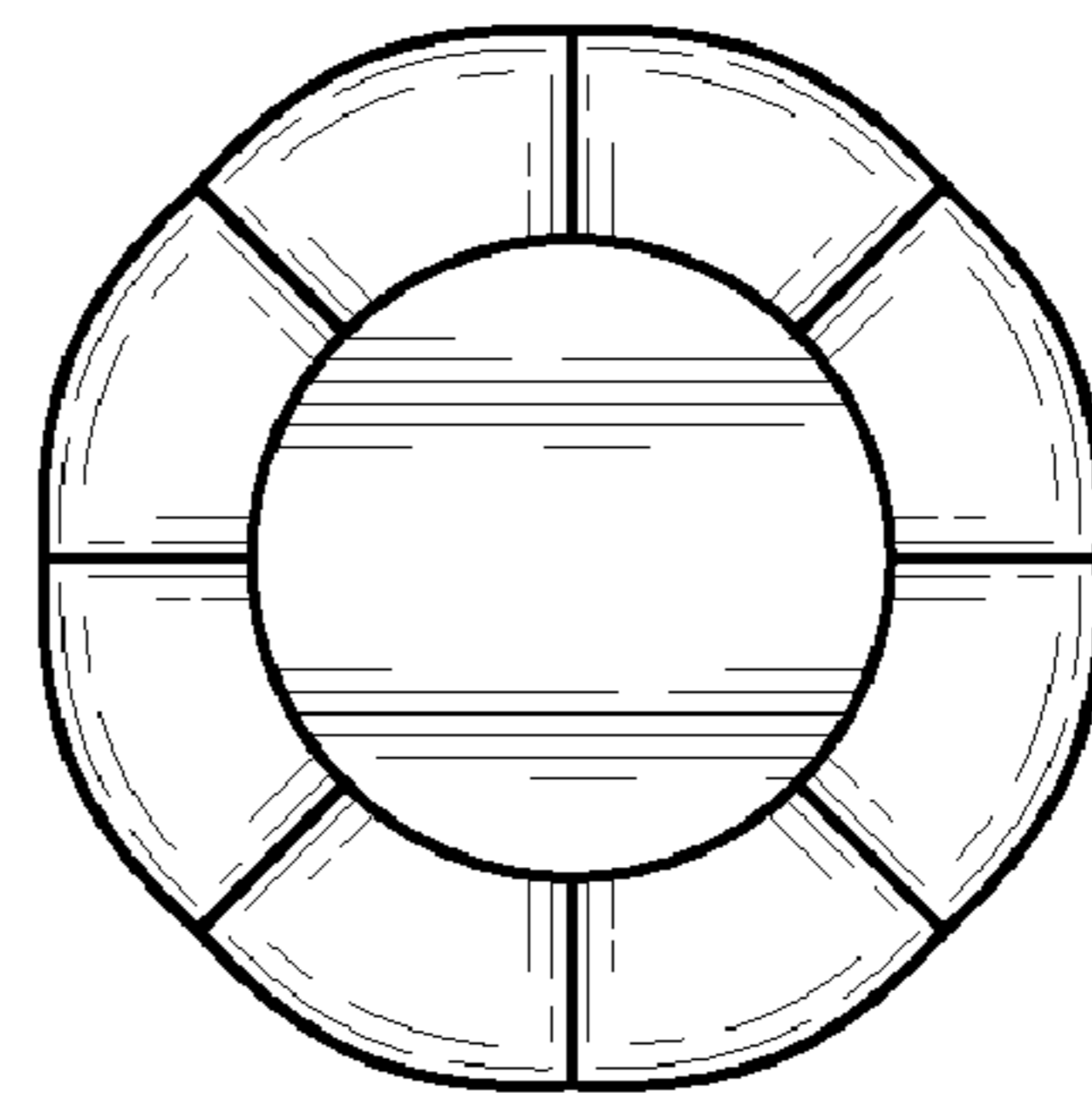


FIG. 5