



US00D628730S

(12) **United States Design Patent**
Chen

(10) **Patent No.:** **US D628,730 S**

(45) **Date of Patent:** **** Dec. 7, 2010**

(54) **SOLAR LAMP WITH MUSHROOM SHADE**

D615,686 S * 5/2010 Chen D26/68

(75) Inventor: **Chi Gon Chen**, Guang Zhou (CN)

(73) Assignee: **International Development LLC**,
Roanoke, TX (US)

(**) Term: **14 Years**

(21) Appl. No.: **29/362,832**

(22) Filed: **Jun. 1, 2010**

(51) **LOC (9) Cl.** **26-05**

(52) **U.S. Cl.** **D26/68**

(58) **Field of Classification Search** D26/67-71,
D26/73, 85, 101, 125, 128; 362/147, 152,
362/153, 153.1, 183, 185, 431, 653

See application file for complete search history.

(56) **References Cited**

U.S. PATENT DOCUMENTS

D226,327 S *	2/1973	Anderson, Jr.	D26/67
D235,797 S *	7/1975	Friedberg	D26/68
D264,255 S *	5/1982	Stohl	D26/101
D349,359 S *	8/1994	McLaughlin, II	D26/101
D354,149 S *	1/1995	Kay	D26/68
D389,935 S *	1/1998	Pink	D26/68
D411,895 S *	7/1999	Houston	D26/68
D425,650 S *	5/2000	Salcedo Ramos	D26/101
D430,949 S *	9/2000	Hepburn	D26/101
D439,692 S *	3/2001	Kung	D26/68

OTHER PUBLICATIONS

Path Lighting Head #1528CO from Hinkley Lighting. Found at
www.outdoorlightingandmore.com, visited on Aug. 11, 2010.*

PAR Lampholder Shroud #P5214-20 from Progress Lighting. Found
at www.outdoorlightingandmore.com, visited on Aug. 11, 2010.*

* cited by examiner

Primary Examiner—Clare E Heflin

(74) *Attorney, Agent, or Firm*—David W. Carstens; Carstens
& Cahoon, LLP

(57) **CLAIM**

The ornamental design for a solar lamp with mushroom
shade, as shown and described.

DESCRIPTION

FIG. 1 is a perspective view of the solar lamp with mushroom
shade of the present invention;

FIG. 2 is a front elevation view thereof; the rear elevation
view being a mirror image thereof;

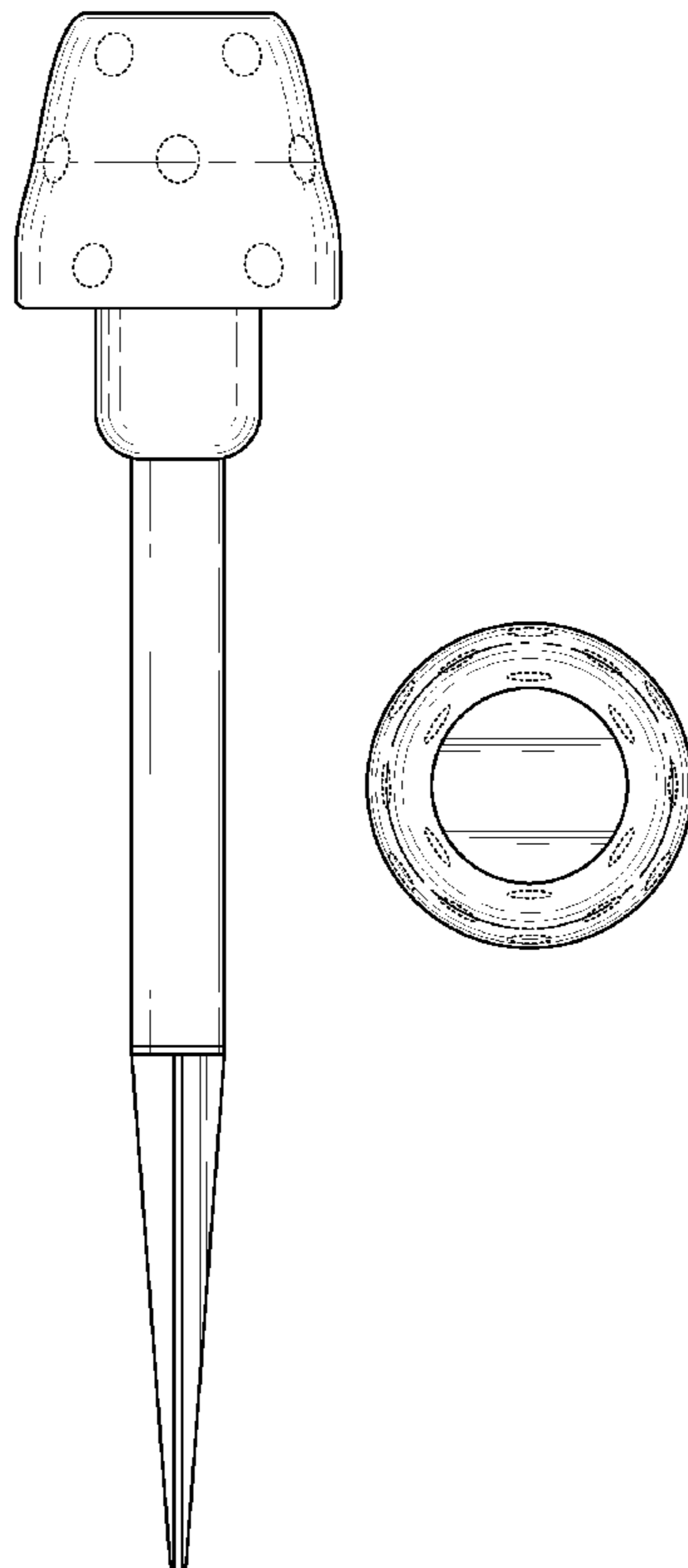
FIG. 3 is a left side elevation view thereof; the right side
elevation view being a mirror image thereof;

FIG. 4 is a bottom plan view thereof; and,

FIG. 5 is a top plan view thereof.

The broken lines shown on the drawings depict portions of the
solar lamp that form no part of the claimed design.

1 Claim, 2 Drawing Sheets



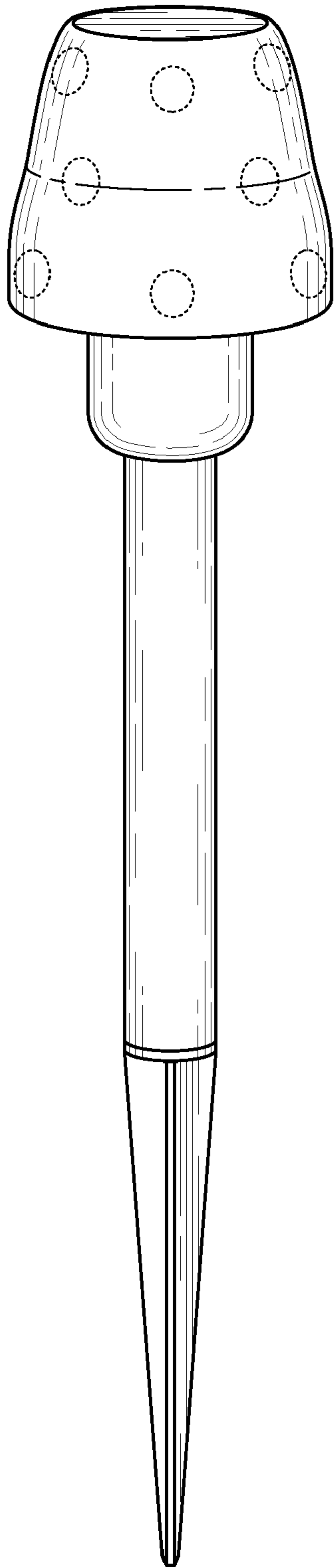


FIG. 1

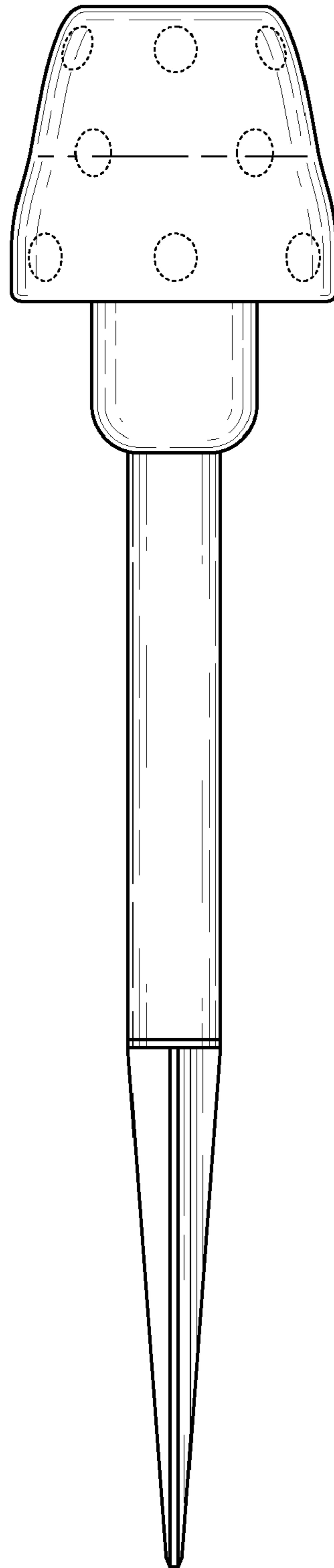


FIG. 2

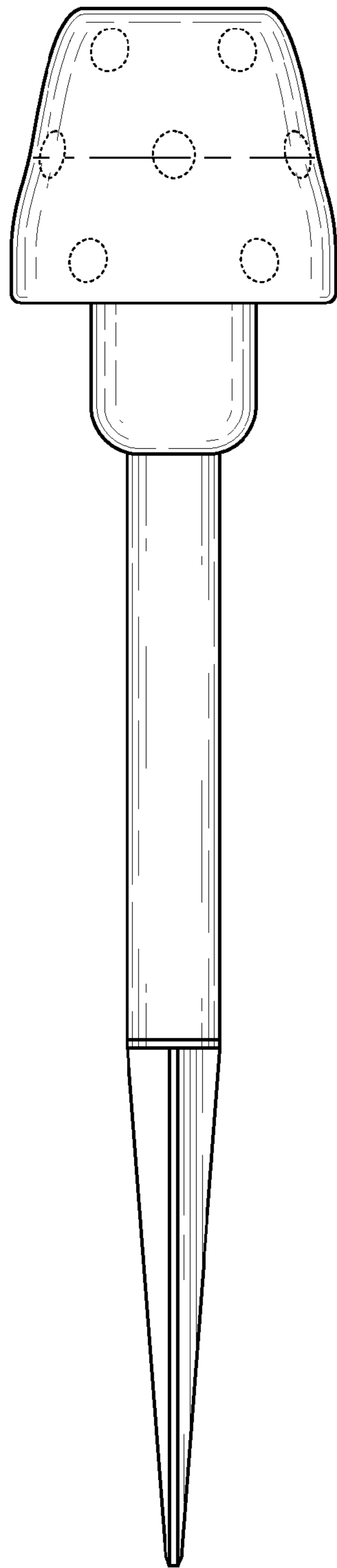


FIG. 3

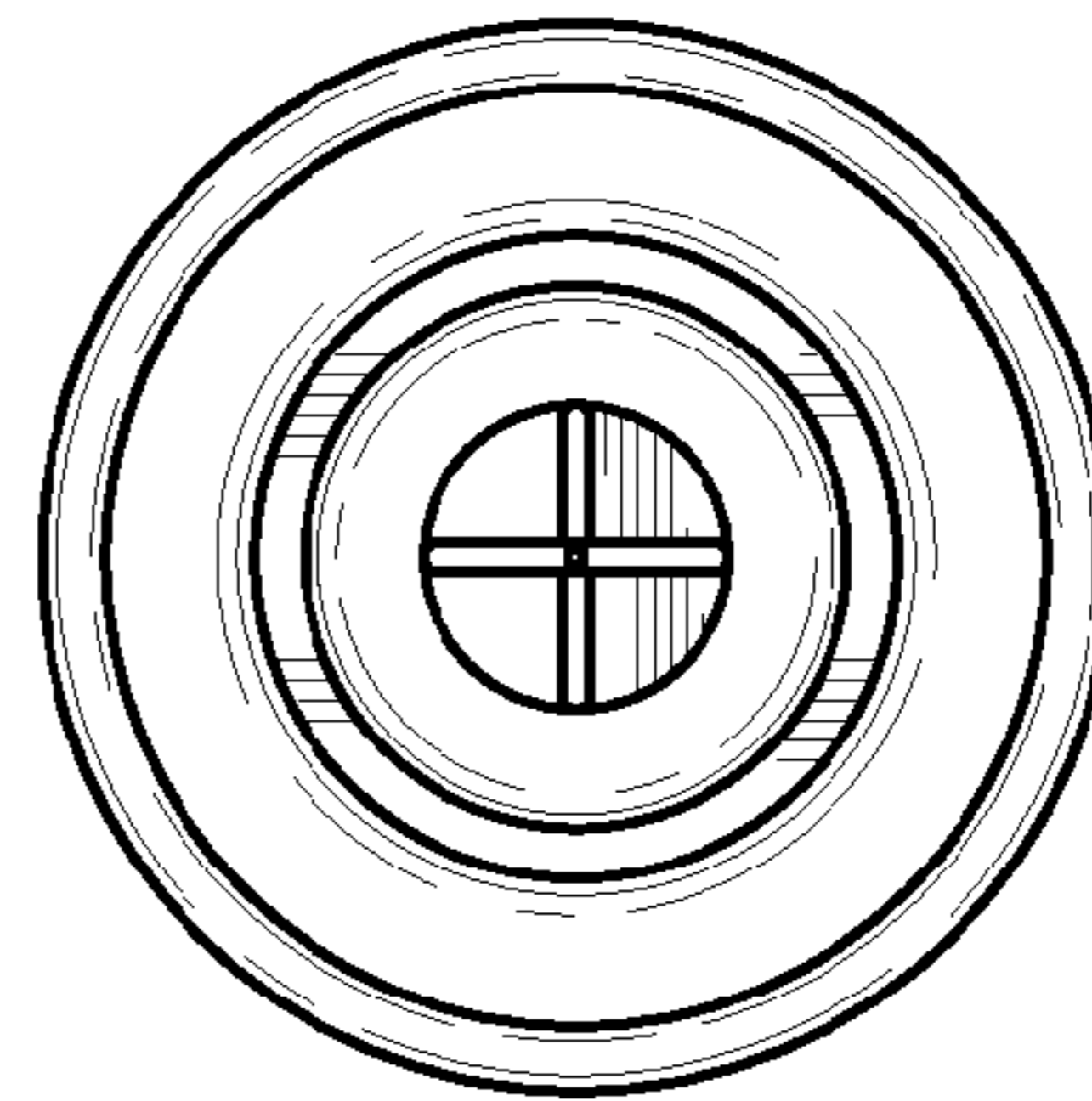


FIG. 4

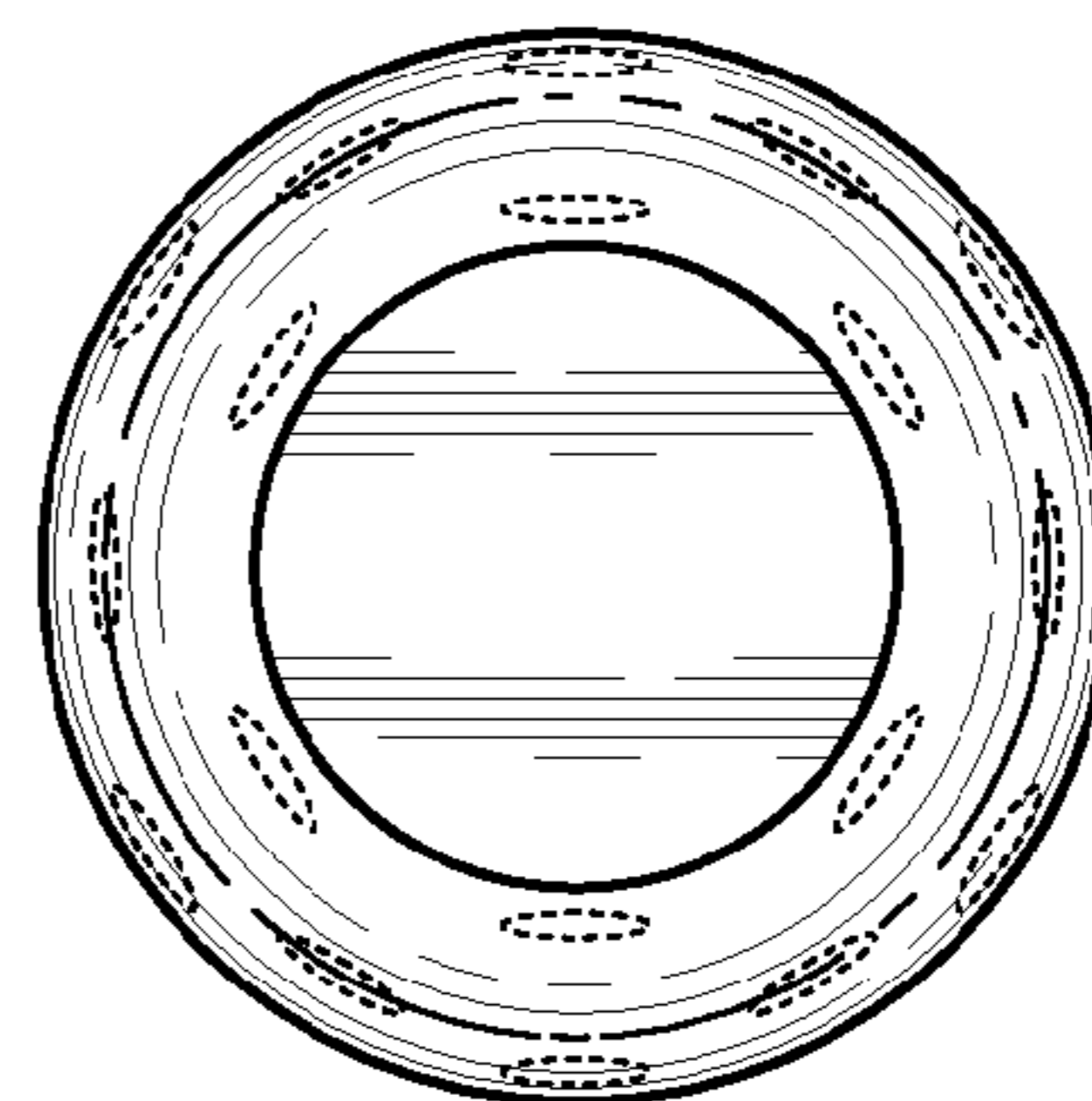


FIG. 5