



US00D628727S

(12) **United States Design Patent**
Risch et al.

(10) **Patent No.:** **US D628,727 S**
(45) **Date of Patent:** **** Dec. 7, 2010**

(54) **FLASHLIGHT**

(75) Inventors: **Robert Risch**, Auburn, WA (US); **Kee Leung**, Mercer Island, WA (US)

(73) Assignee: **Golden Crest Trading, Inc.**, Auburn, WA (US)

(**) Term: **14 Years**

(21) Appl. No.: **29/356,964**

(22) Filed: **Mar. 4, 2010**

(51) **LOC (9) Cl.** **26-02**

(52) **U.S. Cl.** **D26/49**

(58) **Field of Classification Search** D26/37,
D26/38, 39, 44, 45, 46, 49; 362/157, 158,
362/183, 184, 187, 190, 194–198, 202–208
See application file for complete search history.

(56) **References Cited**

U.S. PATENT DOCUMENTS

D476,437 S *	6/2003	Dalton et al.	D26/37
D494,298 S *	8/2004	Brent	D26/49
D496,481 S *	9/2004	Wiesmeth	D26/49
D500,376 S *	12/2004	Cormier et al.	D26/37
D504,737 S *	5/2005	Osiecki et al.	D26/37
D531,337 S *	10/2006	Dalton et al.	D26/49
D547,474 S *	7/2007	Chen et al.	D26/37
D560,295 S *	1/2008	Parsons et al.	D26/37
D566,314 S *	4/2008	Jen	D26/49
D567,420 S *	4/2008	Ho	D26/49

D577,843 S *	9/2008	Couture et al.	D26/49
D579,135 S *	10/2008	Shiu	D26/49
D596,772 S *	7/2009	Chang	D26/49
D606,688 S *	12/2009	Ma	D26/46
D620,163 S *	7/2010	Kang et al.	D26/49

* cited by examiner

Primary Examiner—Charles A Rademaker

Assistant Examiner—Carissa C Fitts

(74) *Attorney, Agent, or Firm*—Black Lowe & Graham, PLLC

(57) **CLAIM**

The ornamental design for a flashlight, as shown and described.

DESCRIPTION

FIG. 1 is a perspective view of the flashlight, showing our new design;

FIG. 2 is a top view of the flashlight;

FIG. 3 is a left side view of the flashlight, the right side view being identical;

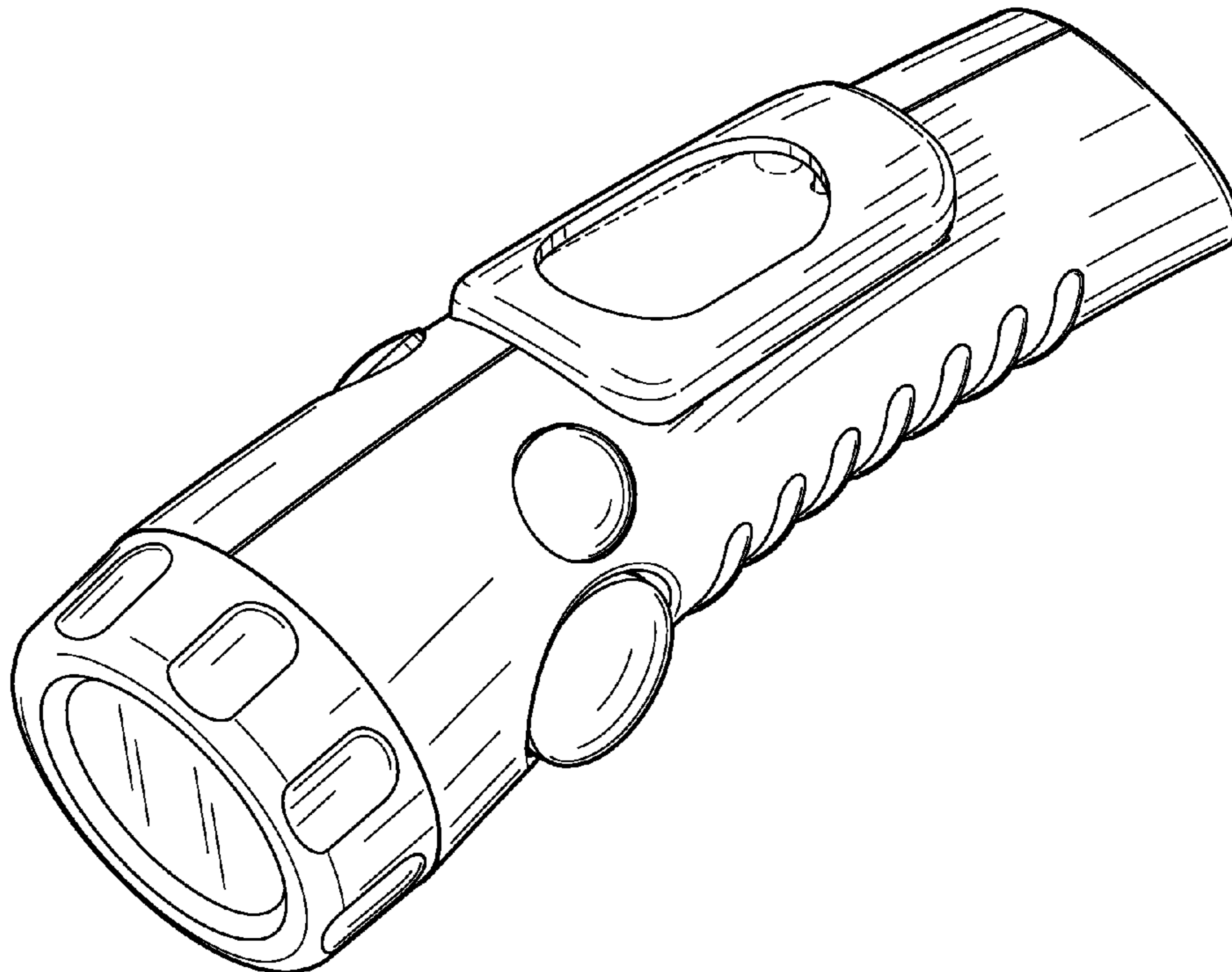
FIG. 4 is a bottom view of the flashlight;

FIG. 5 is a front view of the flashlight; and,

FIG. 6 is a back view of the flashlight.

The broken lines represent environment but form no part of the claimed design.

1 Claim, 3 Drawing Sheets



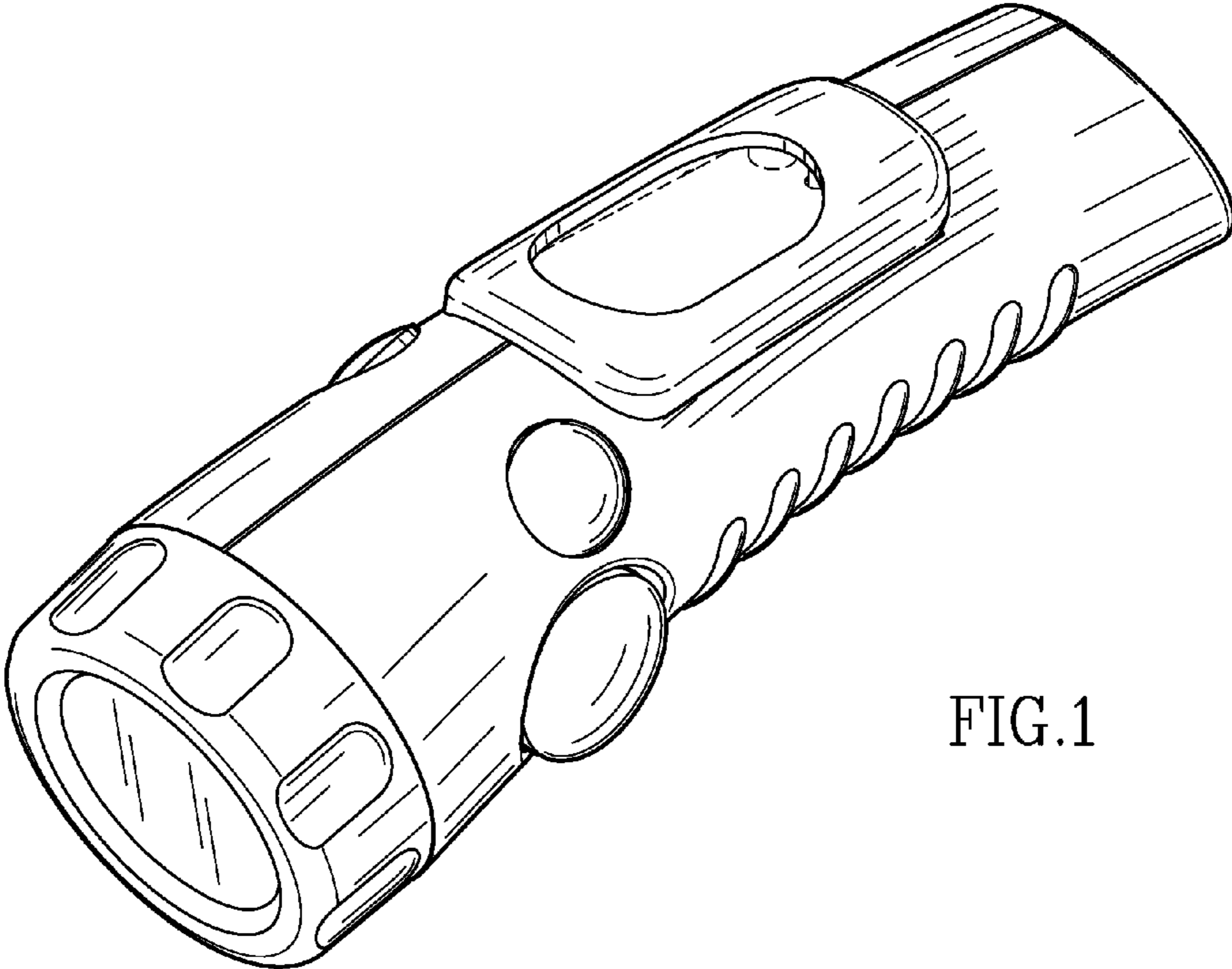


FIG.1

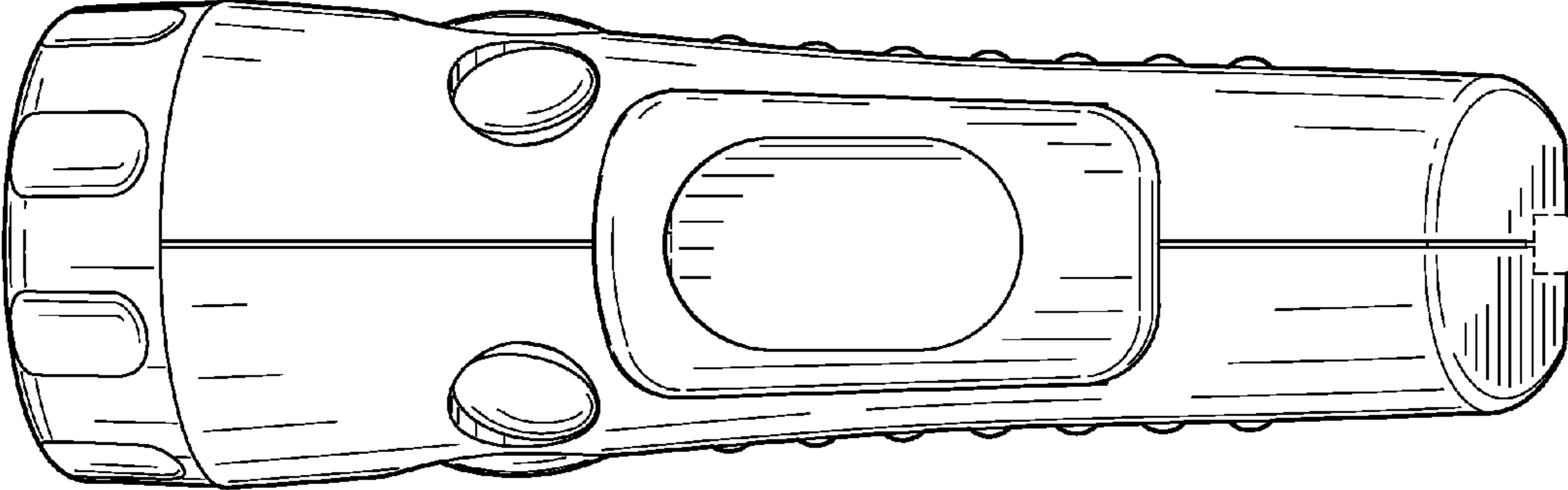


FIG.2

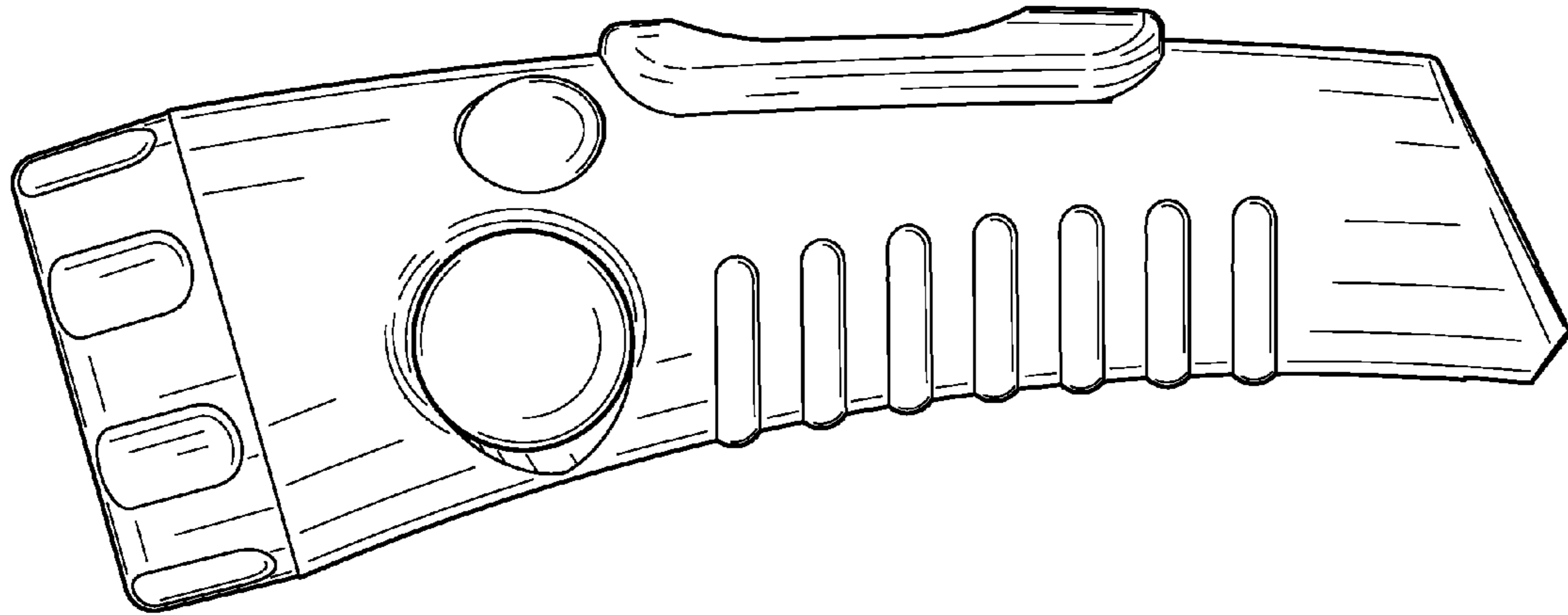


FIG. 3

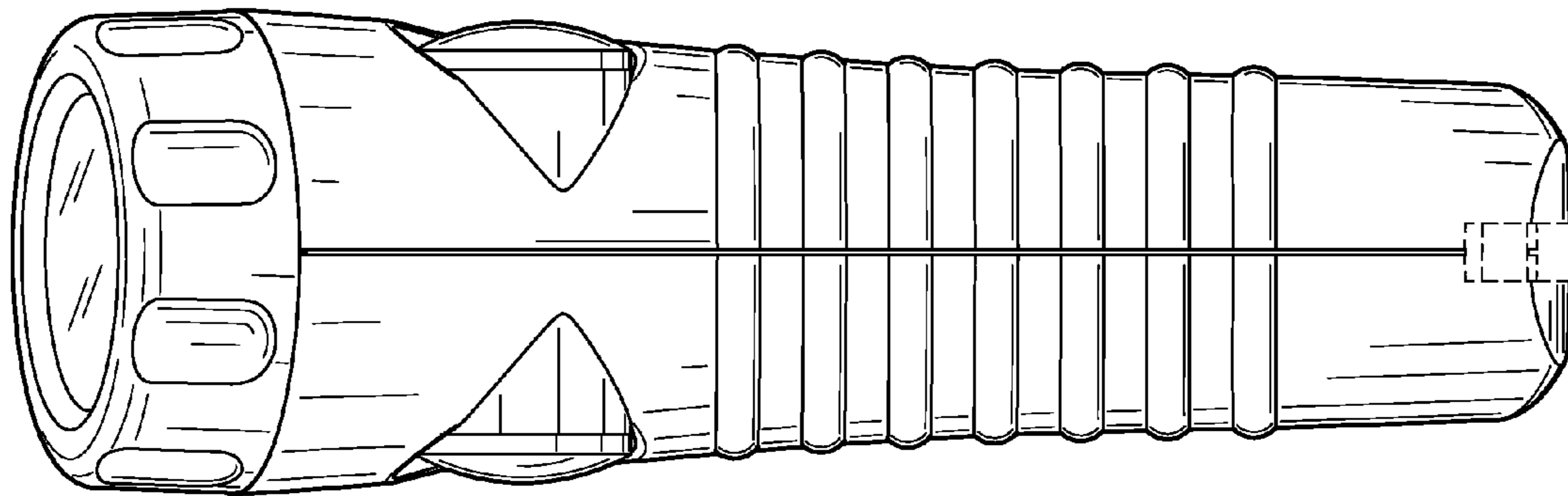


FIG. 4

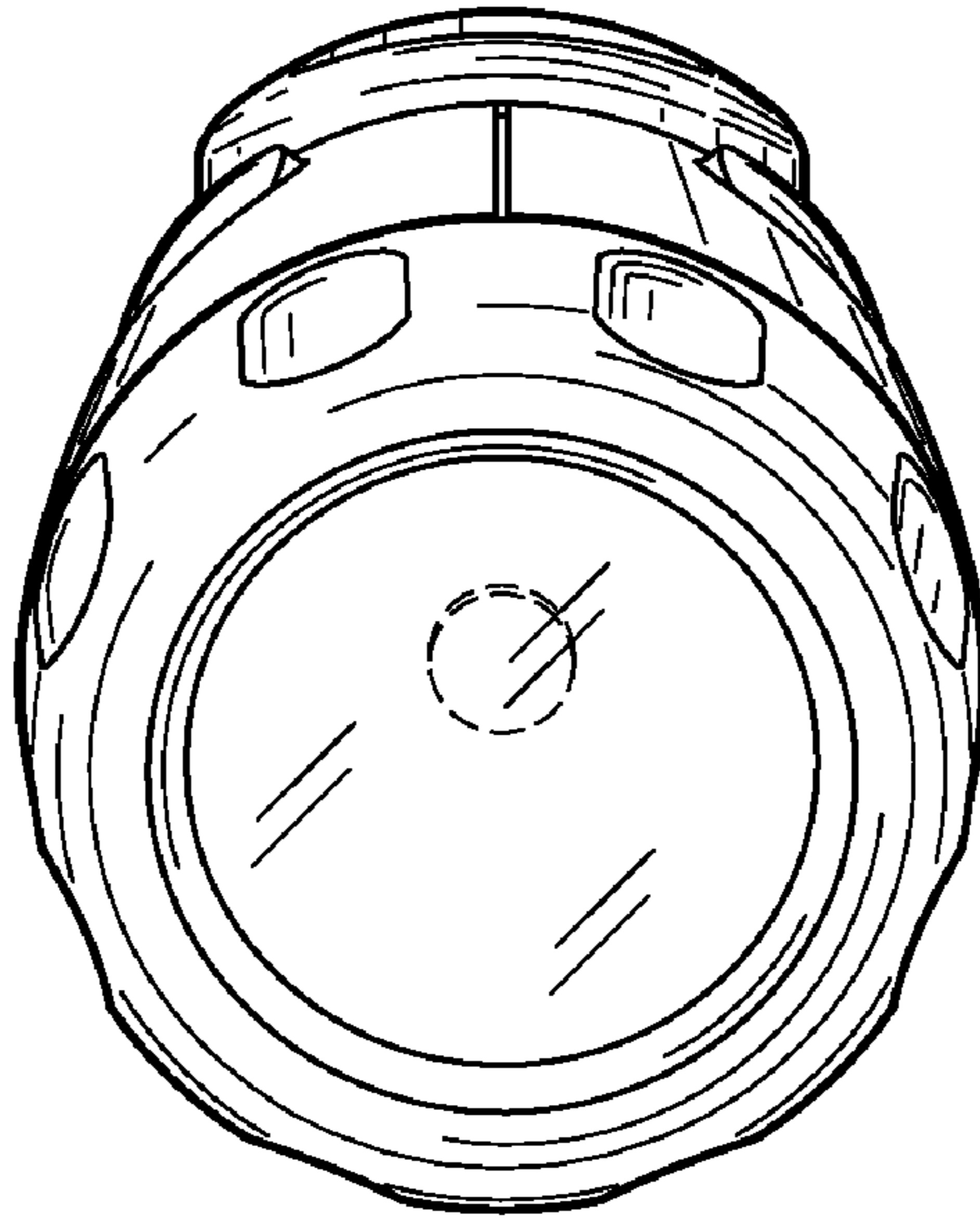


FIG. 5

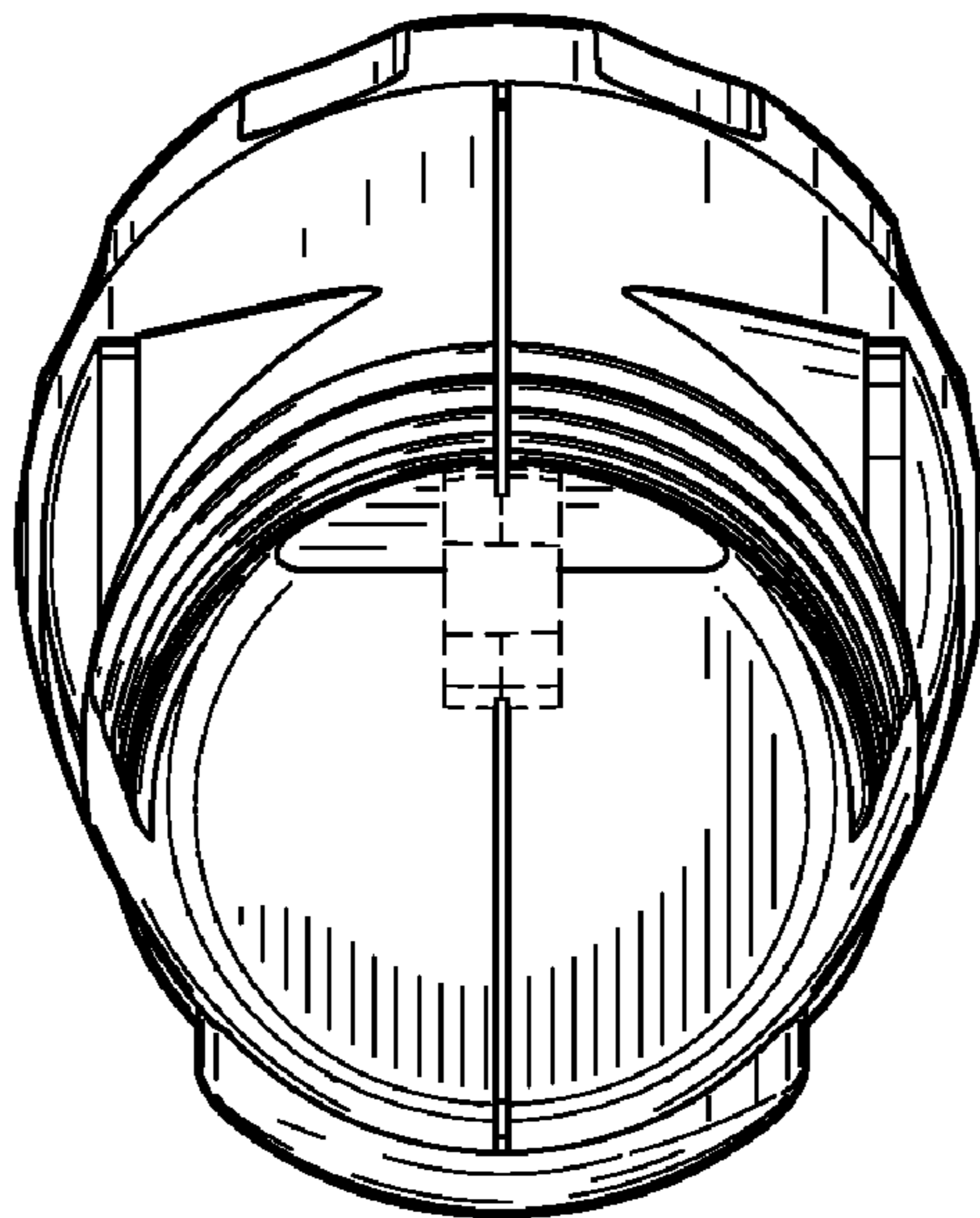


FIG. 6