



US00D628726S

(12) **United States Design Patent**
Chen

(10) **Patent No.:** **US D628,726 S**

(45) **Date of Patent:** **** Dec. 7, 2010**

(54) **SOLAR FLASHLIGHT**

(75) Inventor: **Chi Gon Chen**, Guang Zhou (CN)

(73) Assignee: **International Development LLC**,
Roanoke, TX (US)

(**) Term: **14 Years**

(21) Appl. No.: **29/361,383**

(22) Filed: **May 11, 2010**

(51) **LOC (9) Cl.** **26-02**

(52) **U.S. Cl.** **D26/37**

(58) **Field of Classification Search** D26/37,
D26/38, 39, 42, 46, 49, 51; 362/157, 158,
362/183, 184, 195–208, 800, 253

See application file for complete search history.

(56) **References Cited**

U.S. PATENT DOCUMENTS

D143,109 S *	12/1945	Akers	D19/22
3,331,958 A *	7/1967	Adler	362/157
D310,576 S *	9/1990	Narbut et al.	D26/58
D319,317 S *	8/1991	Tung	D26/42
D332,836 S *	1/1993	Ham	D26/26
D342,799 S *	12/1993	Ham	D26/26
D347,703 S *	6/1994	Ham	D26/26
D449,437 S *	10/2001	Leung	D3/209

D521,286 S *	5/2006	Colmenares	D6/511
D566,312 S *	4/2008	Lui	D26/46
D592,930 S *	5/2009	Cai	D8/87
D601,734 S *	10/2009	Feng	D26/46
D603,239 S *	11/2009	Kunzendorf	D8/105

* cited by examiner

Primary Examiner—Charles A Rademaker

Assistant Examiner—Carissa C Fitts

(74) *Attorney, Agent, or Firm*—David W. Carstens; Carstens & Cahoon, LLP

(57) **CLAIM**

The ornamental design for a solar flashlight, as shown and described.

DESCRIPTION

FIG. 1 is a perspective view of the solar flashlight of the present invention;

FIG. 2 is a left side elevation thereof;

FIG. 3 is a right side elevation view thereof;

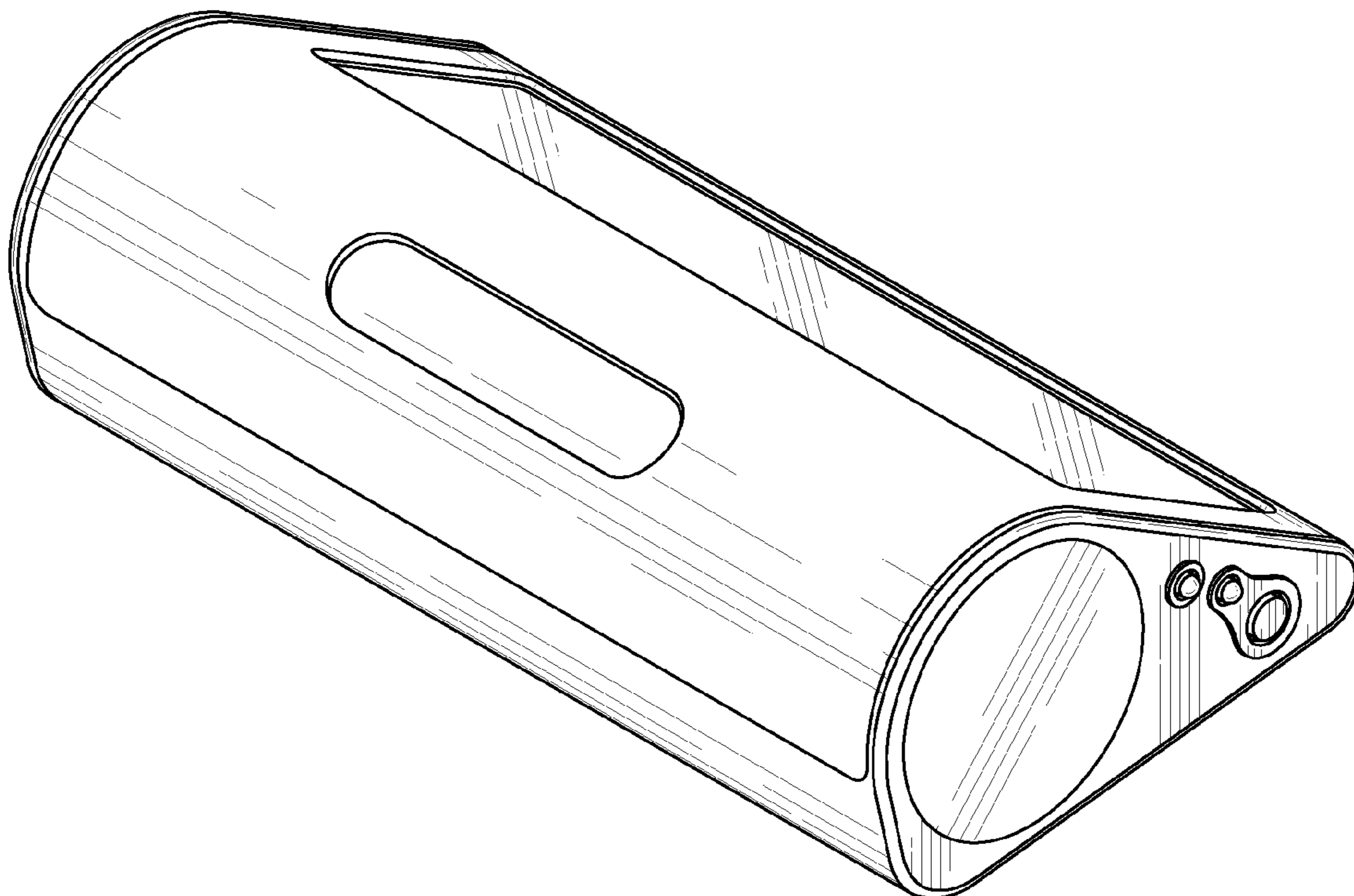
FIG. 4 is a top plan view thereof;

FIG. 5 is a bottom plan view thereof;

FIG. 6 is a rear elevation view thereof; and,

FIG. 7 is a front elevation view thereof.

1 Claim, 3 Drawing Sheets



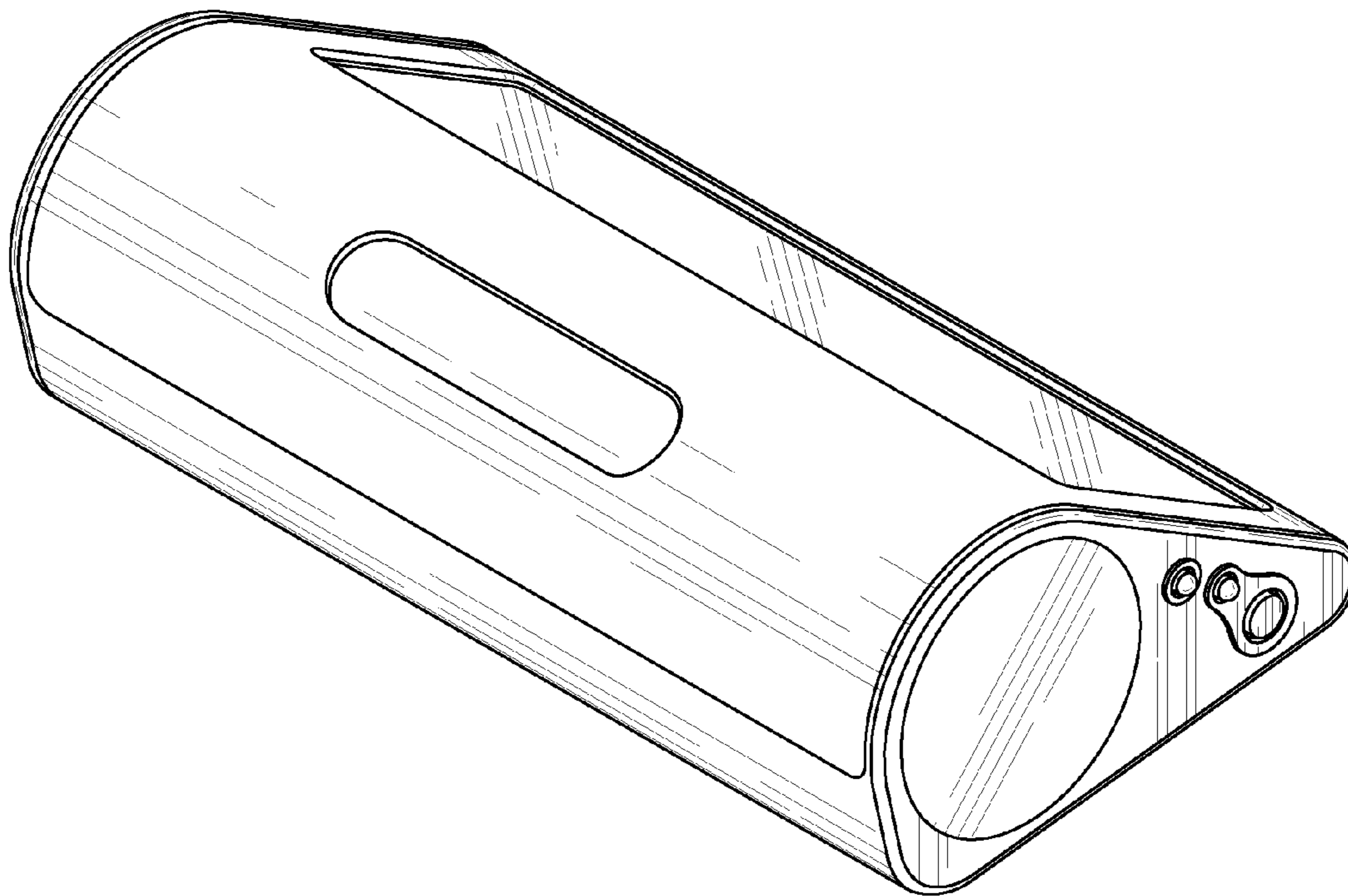


FIG. 1

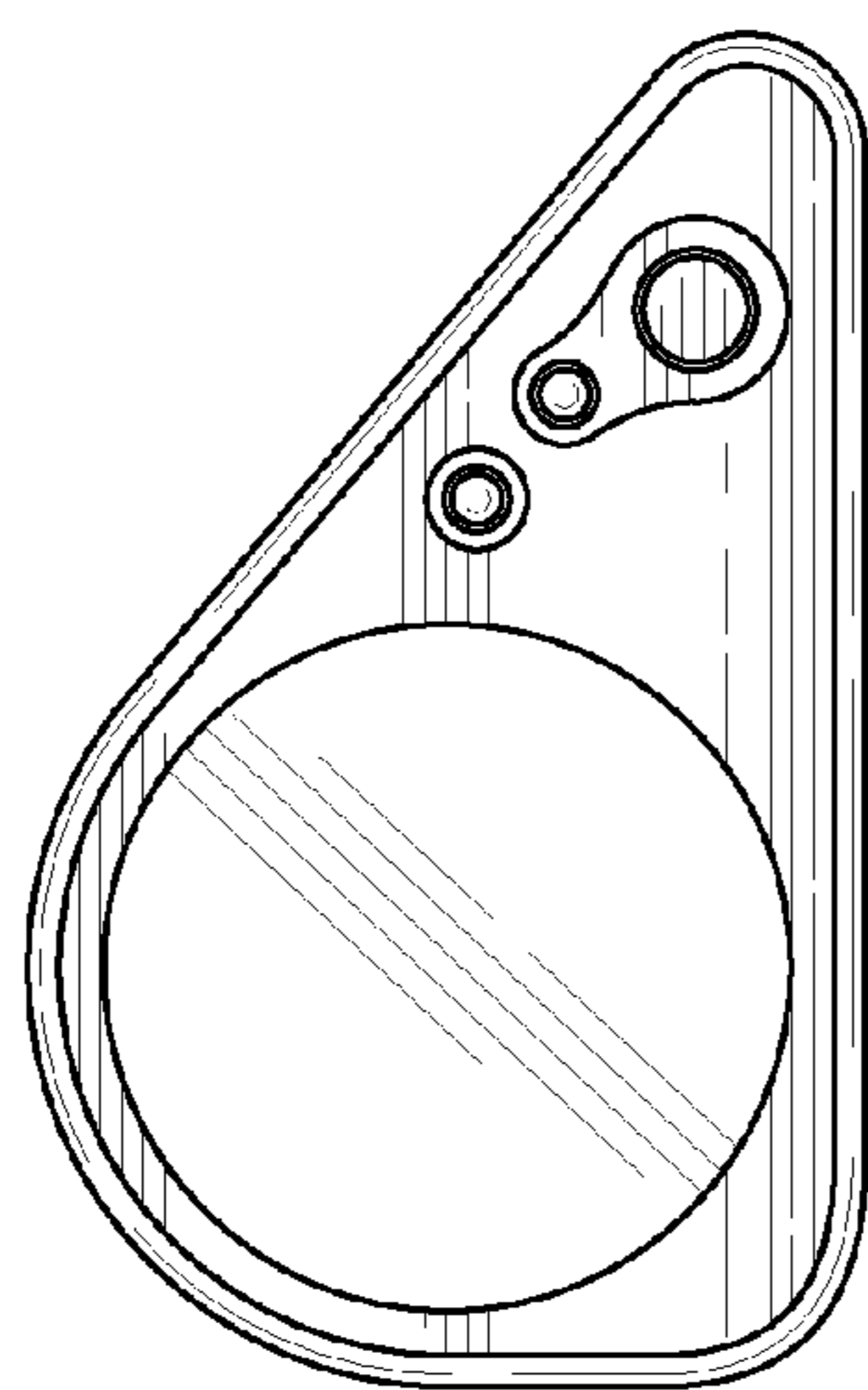


FIG. 2

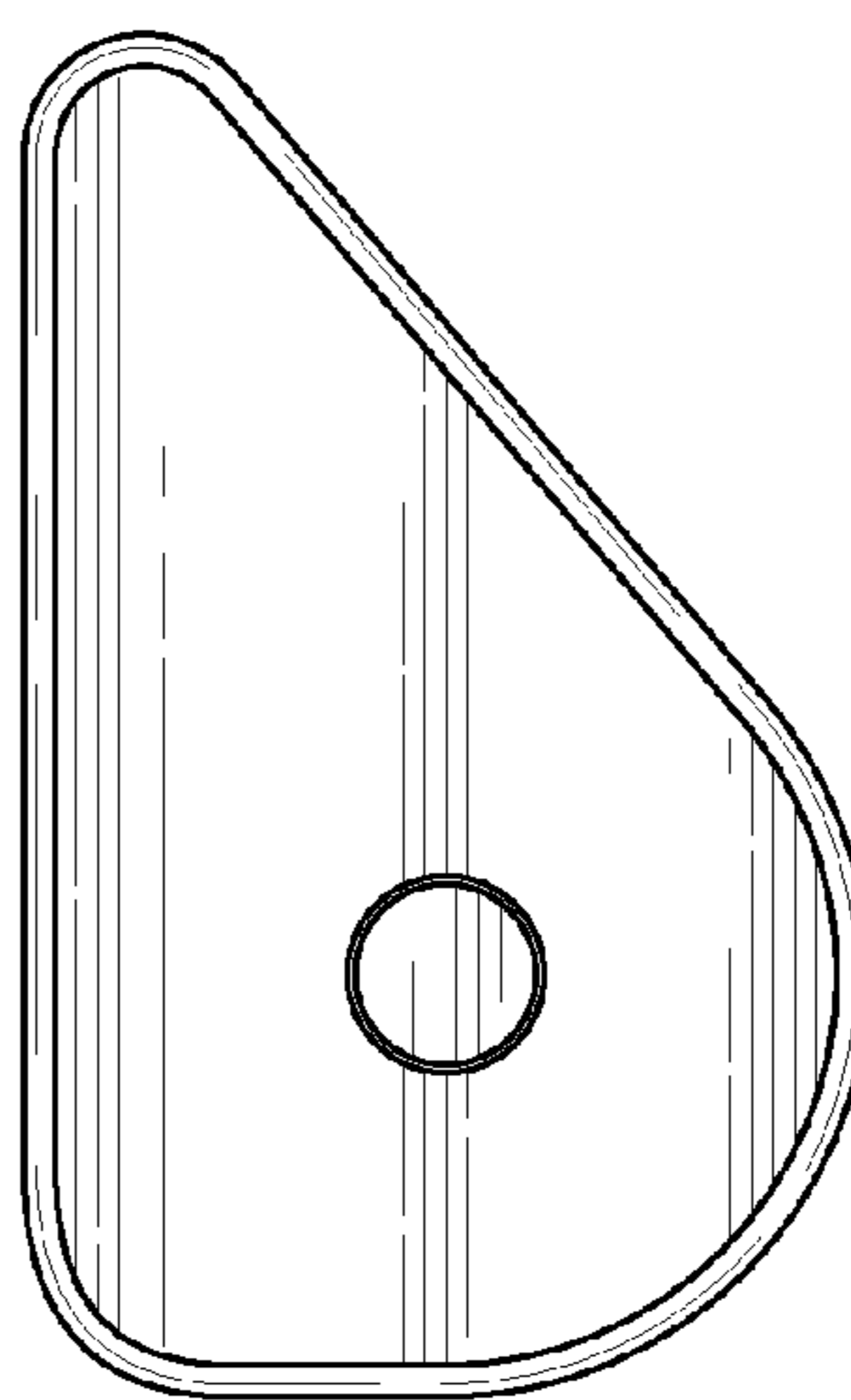


FIG. 3

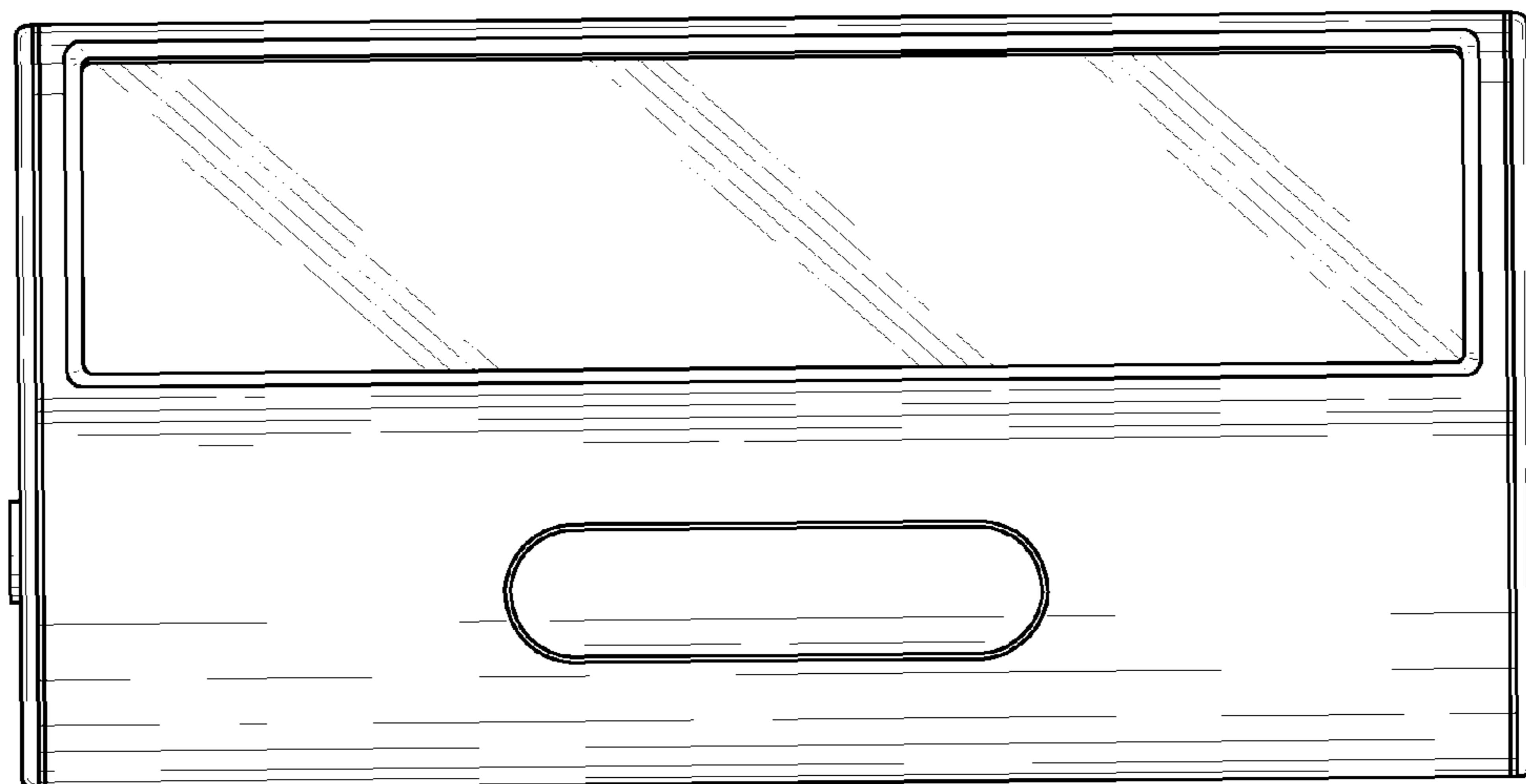


FIG. 4



FIG. 5

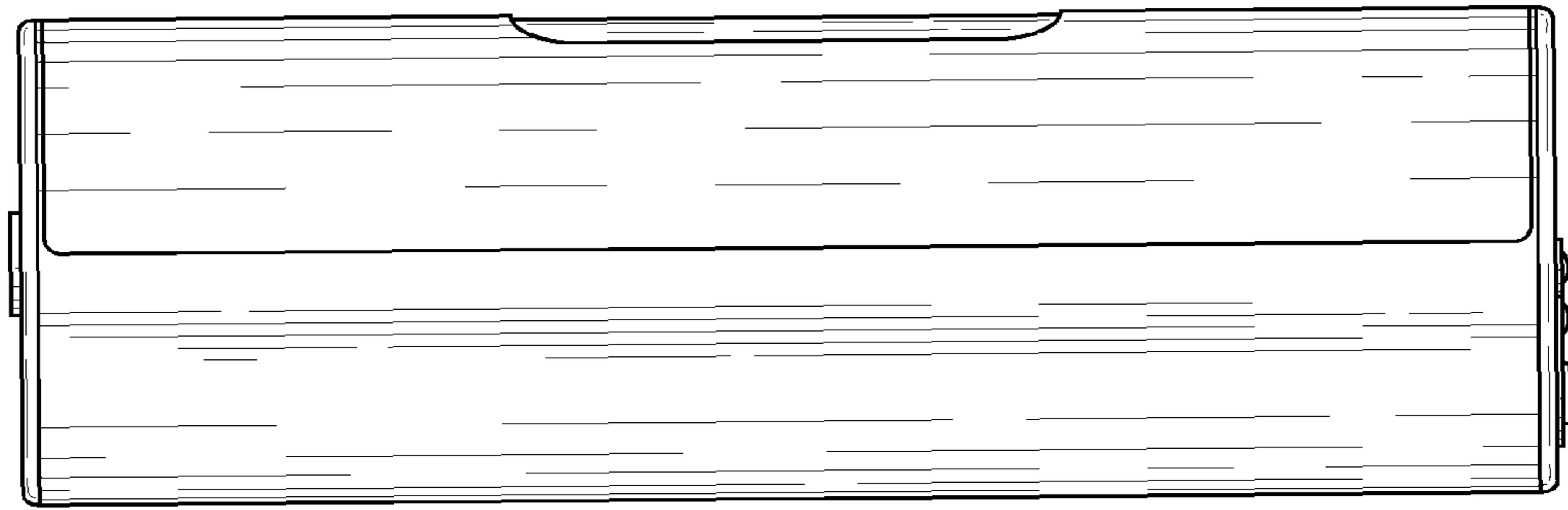


FIG. 6

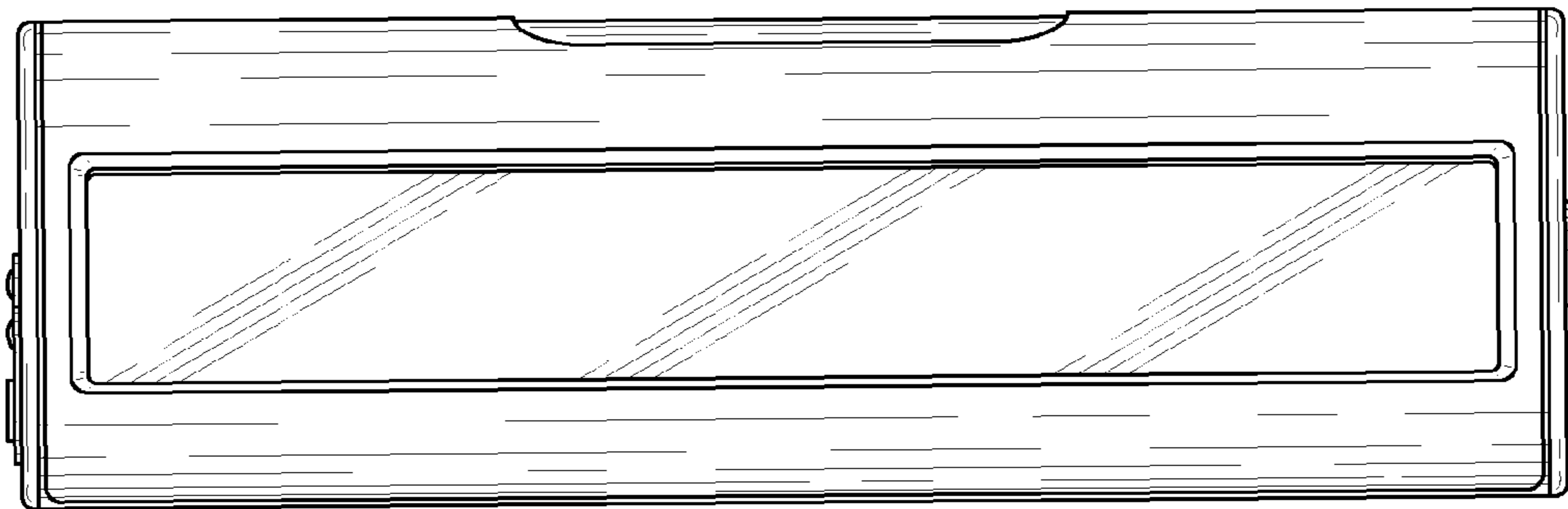


FIG. 7