



US00D628725S

(12) **United States Design Patent**
Abe

(10) **Patent No.:** **US D628,725 S**
(45) **Date of Patent:** **** Dec. 7, 2010**

(54) **FRONT COMBINATION LAMP FOR AN
AUTOMOBILE**

D536,810 S * 2/2007 Ishikura D26/28
D538,956 S * 3/2007 Ishii D26/28
D544,614 S * 6/2007 Markefka D26/28
D560,291 S * 1/2008 Koyama D26/28

(75) Inventor: **Takahiko Abe**, Saitama (JP)

* cited by examiner

(73) Assignee: **Honda Motor Co., Ltd.**, Tokyo (JP)

Primary Examiner—Marcus A Jackson

(**) Term: **14 Years**

(74) *Attorney, Agent, or Firm*—Westerman, Hattori, Daniels
& Adrian, LLP

(21) Appl. No.: **29/354,767**

(22) Filed: **Jan. 28, 2010**

(57) **CLAIM**

(30) **Foreign Application Priority Data**

What is claimed is; The ornamental design for, a front combination lamp for an automobile, as shown and described.

Aug. 13, 2009 (JP) 2009-018648

DESCRIPTION

(51) **LOC (9) Cl.** **26-06**

(52) **U.S. Cl.** **D26/28**

(58) **Field of Classification Search** D26/28-36;
362/459-468, 475-478, 485-487

See application file for complete search history.

FIG. 1 is a perspective view of a front combination lamp for an automobile, showing our new design;

FIG. 2 is a front elevation view thereof;

FIG. 3 is a top plan view thereof; and,

FIG. 4 is a left side elevation view thereof.

The broken lines are for illustrative purposes only and form no part of the claimed design.

(56) **References Cited**

U.S. PATENT DOCUMENTS

D528,681 S * 9/2006 Nakahara D26/28

D535,764 S * 1/2007 Yamaguchi D26/28

1 Claim, 3 Drawing Sheets

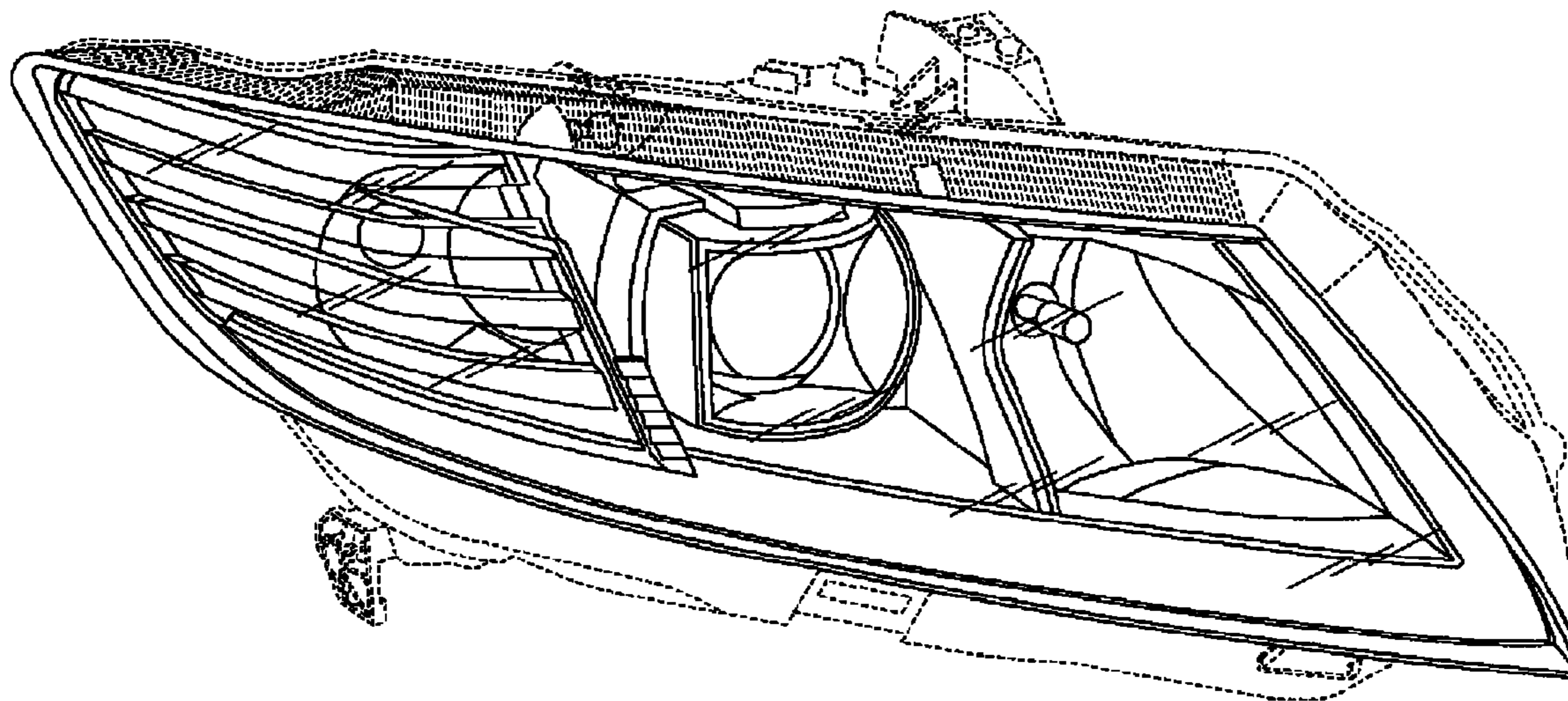


Fig. 1

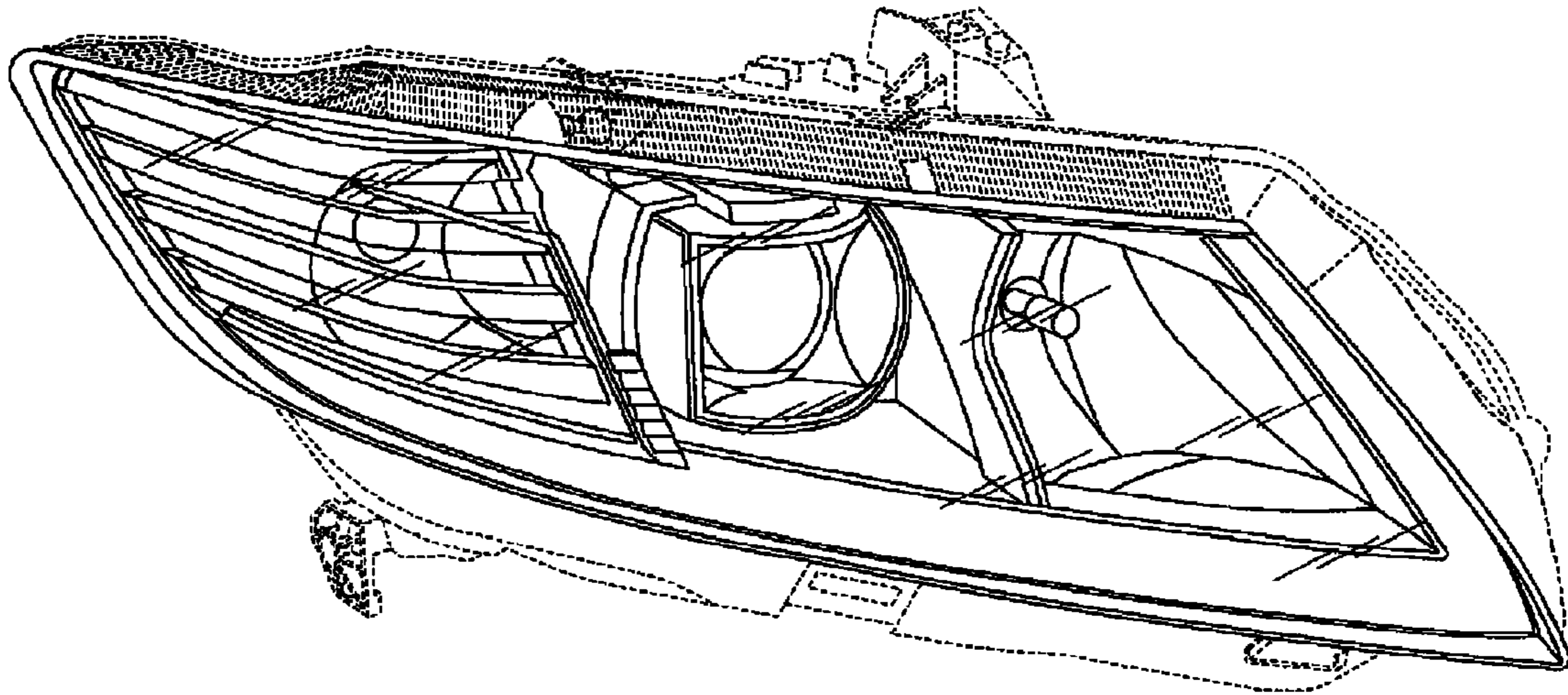


Fig. 2

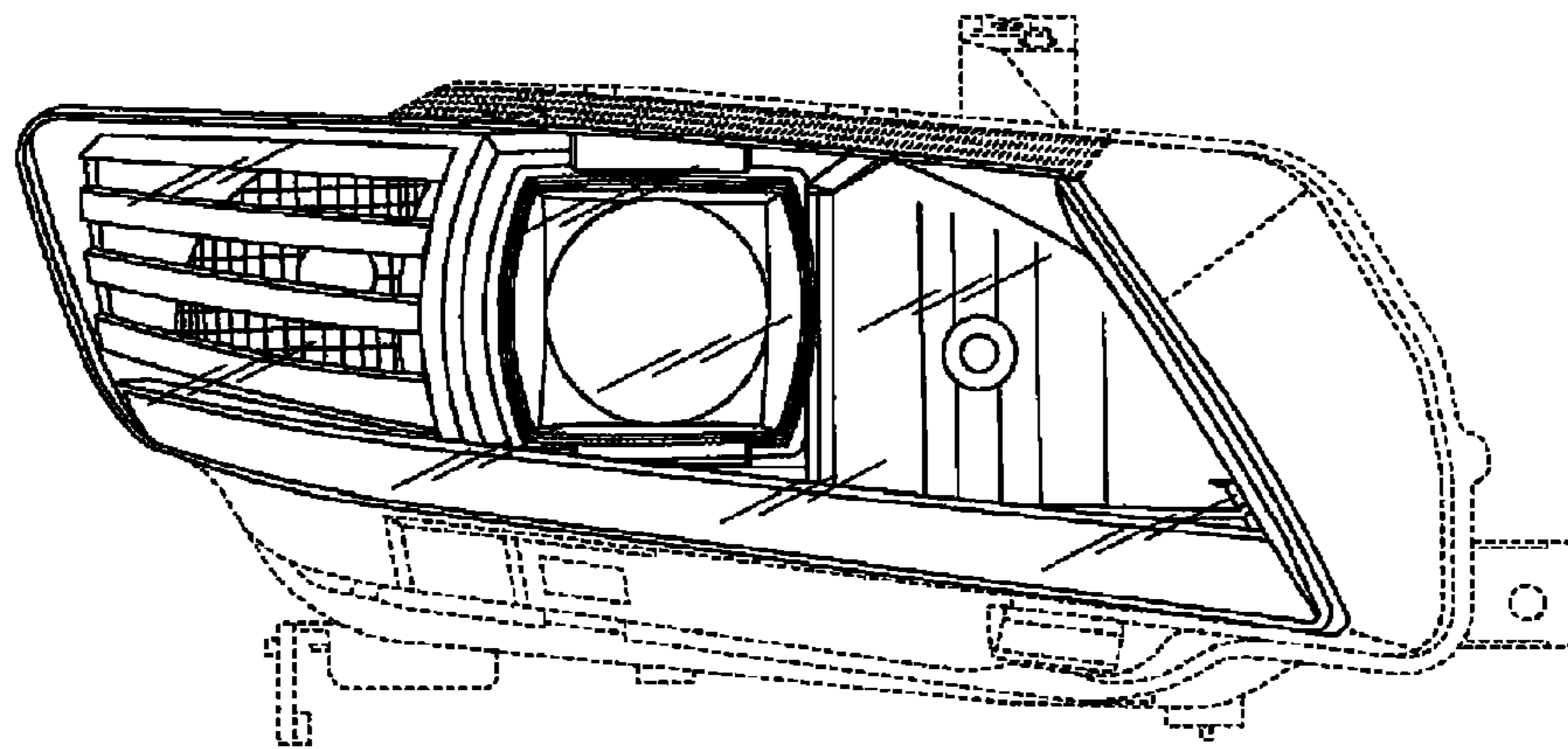


Fig. 3

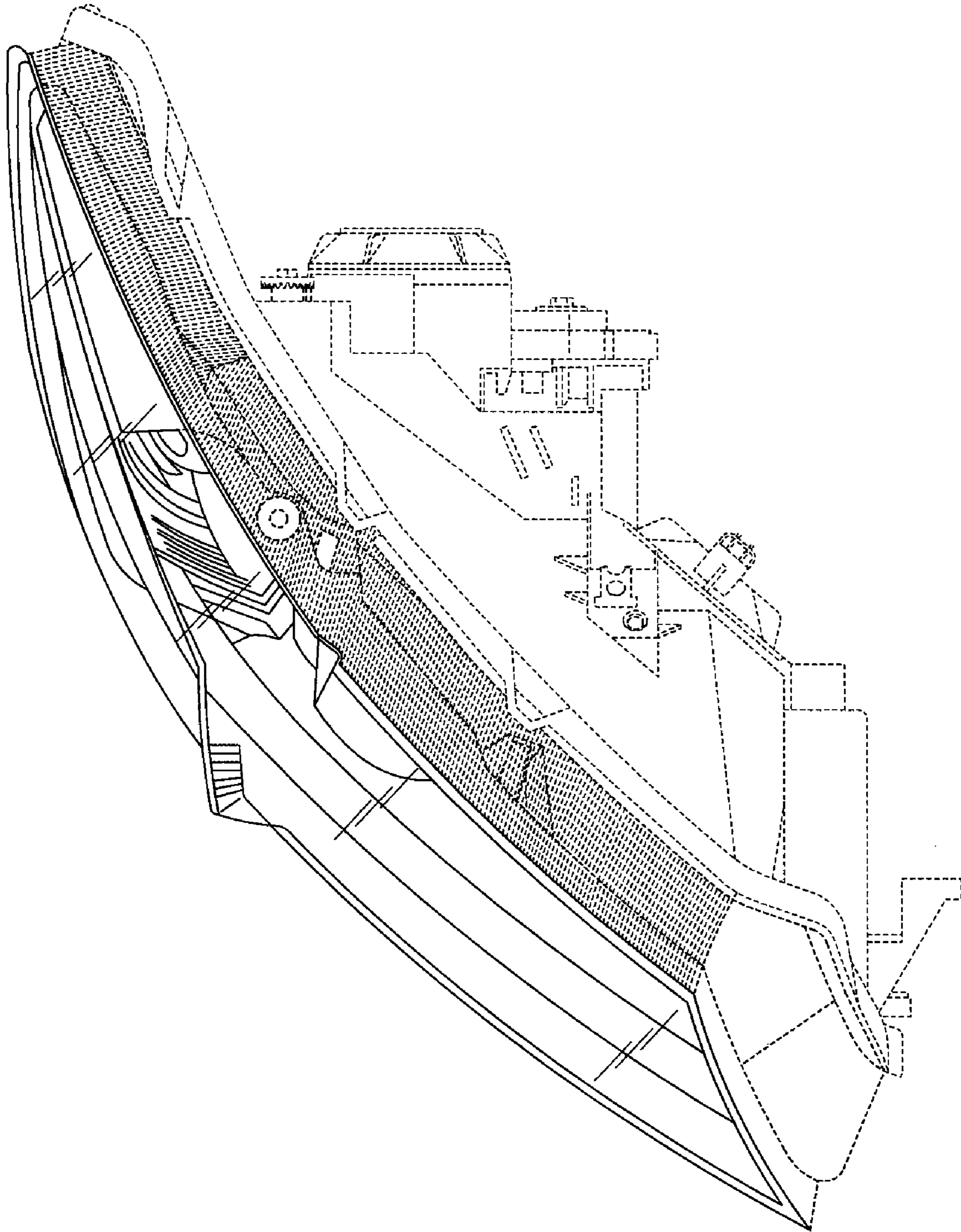


Fig.4

