



US00D628723S

(12) **United States Design Patent**
Yamamoto et al.

(10) **Patent No.:** **US D628,723 S**
(45) **Date of Patent:** **** Dec. 7, 2010**

(54) **LIGHT EMITTING DIODE LAMP**
(75) Inventors: **Junichiro Yamamoto**, Kanagawa (JP);
Masao Segawa, Kanagawa (JP);
Makoto Sakai, Kanagawa (JP);
Tomohiko Sato, Kanagawa (JP)

D528,227 S * 9/2006 Chou et al. D26/2
D531,741 S * 11/2006 Takahashi D26/2
D534,665 S * 1/2007 Egawa et al. D26/2
D581,556 S * 11/2008 To et al. D26/2
D600,367 S * 9/2009 Bertram et al. D26/2
D601,278 S * 9/2009 Takahashi D26/2
D617,915 S * 6/2010 Wada et al. D26/2

(73) Assignees: **Toshiba Lighting & Technology Corporation**, Kanagawa (JP);
Kabushiki Kaisha Toshiba, Tokyo (JP)

* cited by examiner

Primary Examiner—Marcus A Jackson
(74) *Attorney, Agent, or Firm*—J.C. Patents

(**) Term: **14 Years**

(21) Appl. No.: **29/366,640**

(57) **CLAIM**

(22) Filed: **Jul. 28, 2010**

The ornamental design for a light emitting diode lamp, as shown.

(30) **Foreign Application Priority Data**

DESCRIPTION

Mar. 8, 2010 (JP) 2010-005509

(51) **LOC (9) Cl.** **26-04**

FIG. 1 is a perspective view of a light emitting diode lamp showing our new design;

(52) **U.S. Cl.** **D26/2**

FIG. 2 is a front view thereof;

(58) **Field of Classification Search** D26/1-4;
313/313, 315, 316, 317, 318, 493; 315/52,
315/53, 56, 57, 58

FIG. 3 is a rear view thereof;

See application file for complete search history.

FIG. 4 is a left side view thereof;

FIG. 5 is a right side view thereof;

(56) **References Cited**

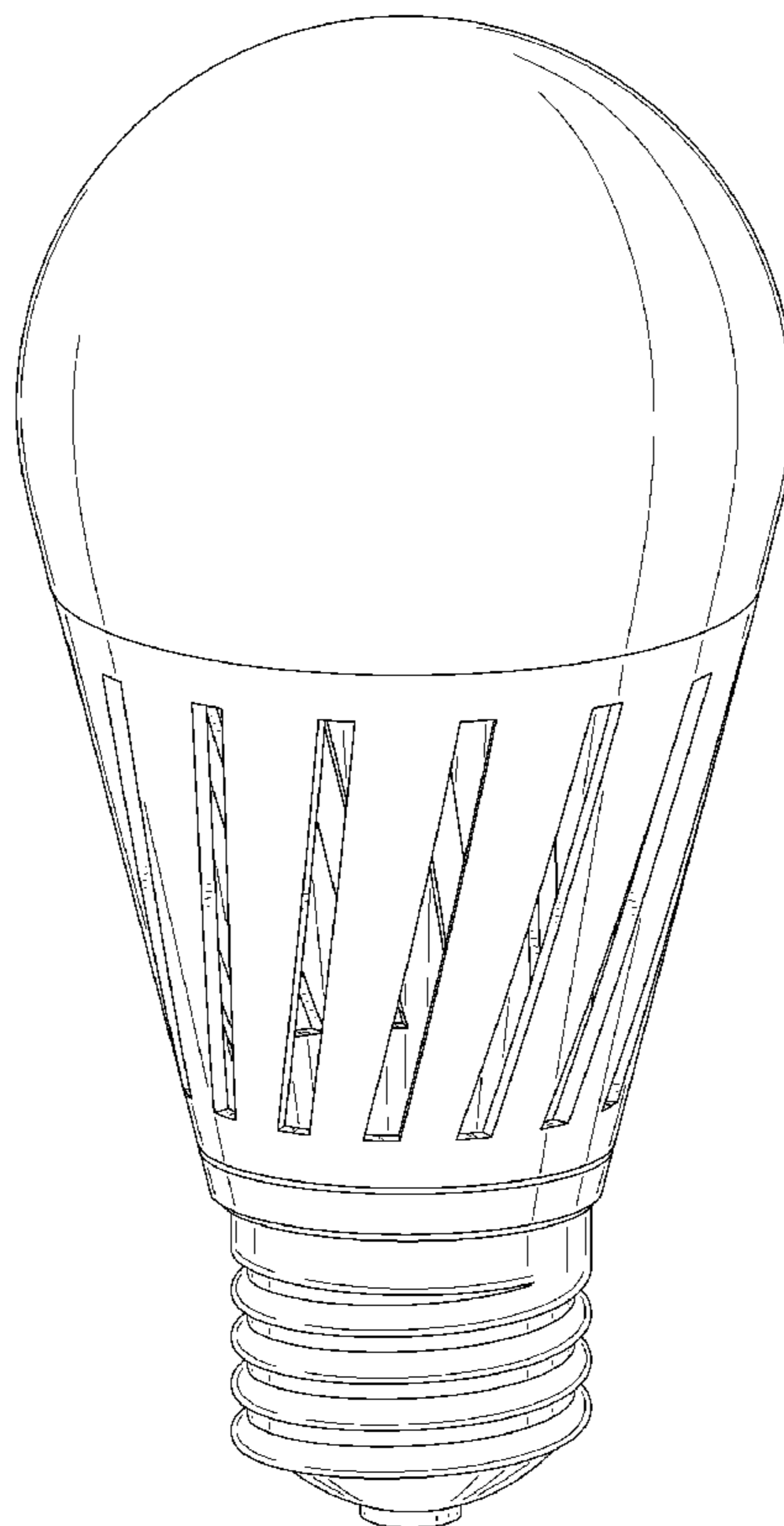
FIG. 6 is a top view thereof; and,

FIG. 7 is a bottom view thereof.

U.S. PATENT DOCUMENTS

D508,575 S * 8/2005 Buschmann et al. D26/2

1 Claim, 7 Drawing Sheets



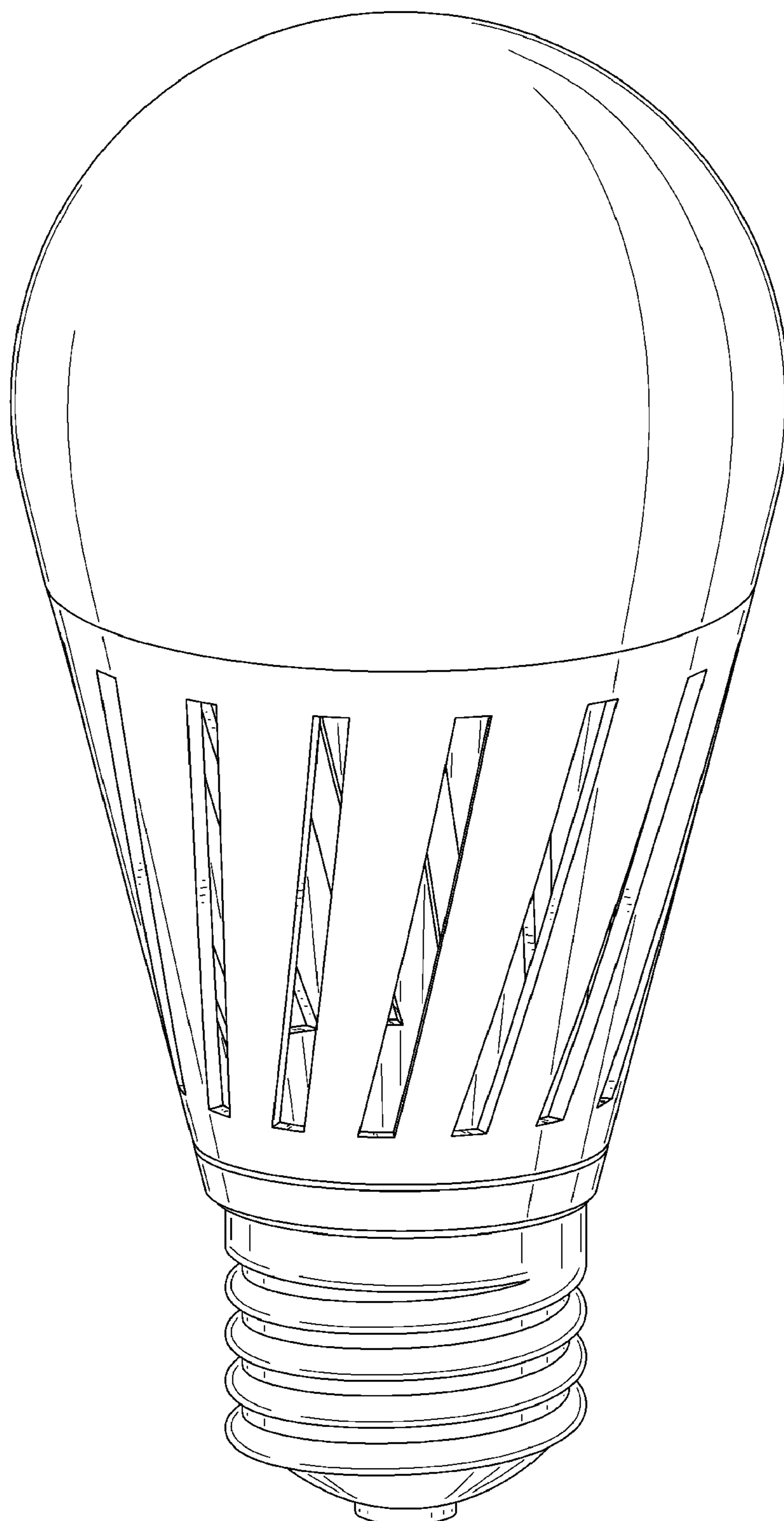


FIG. 1

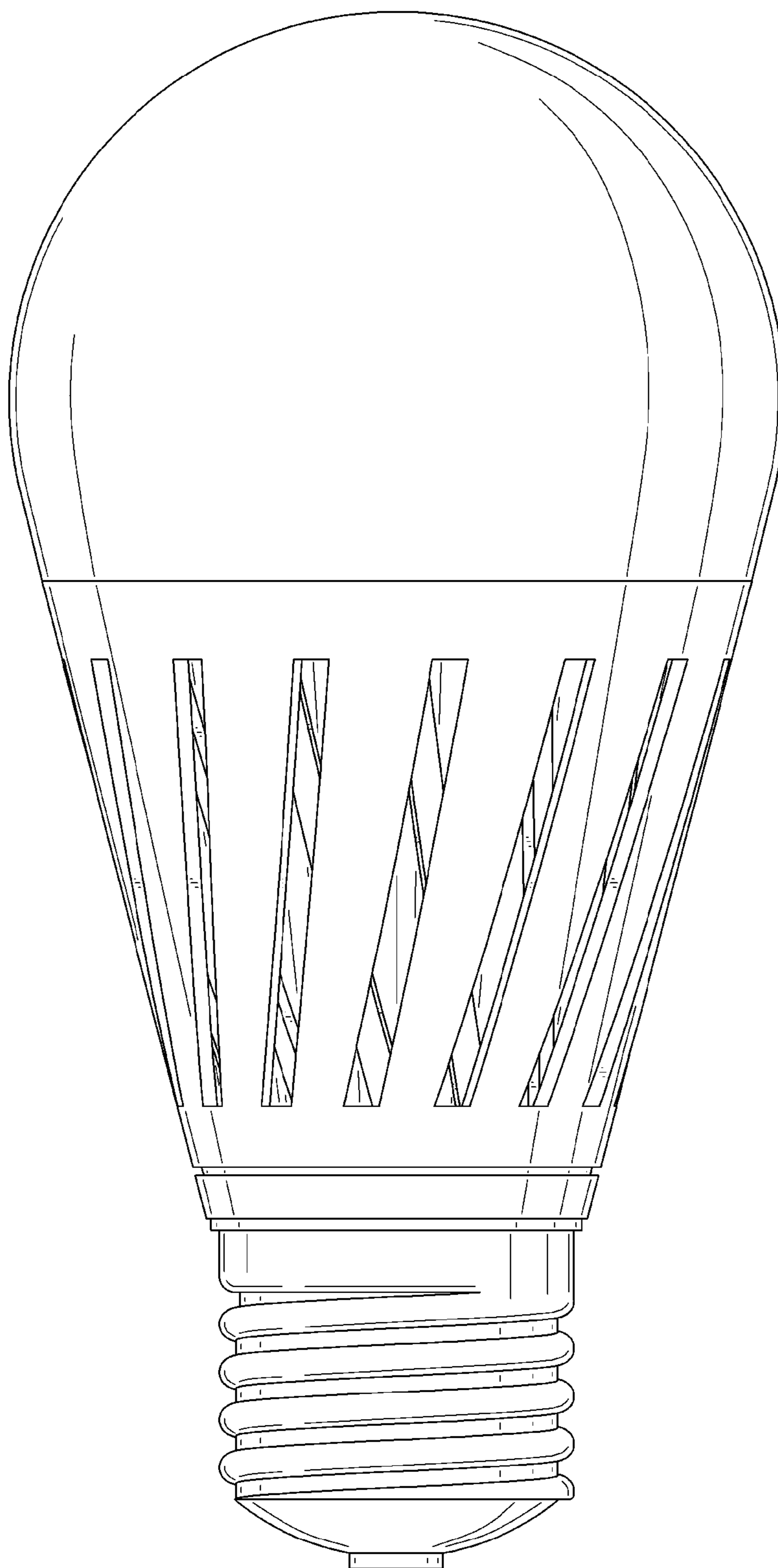


FIG. 2

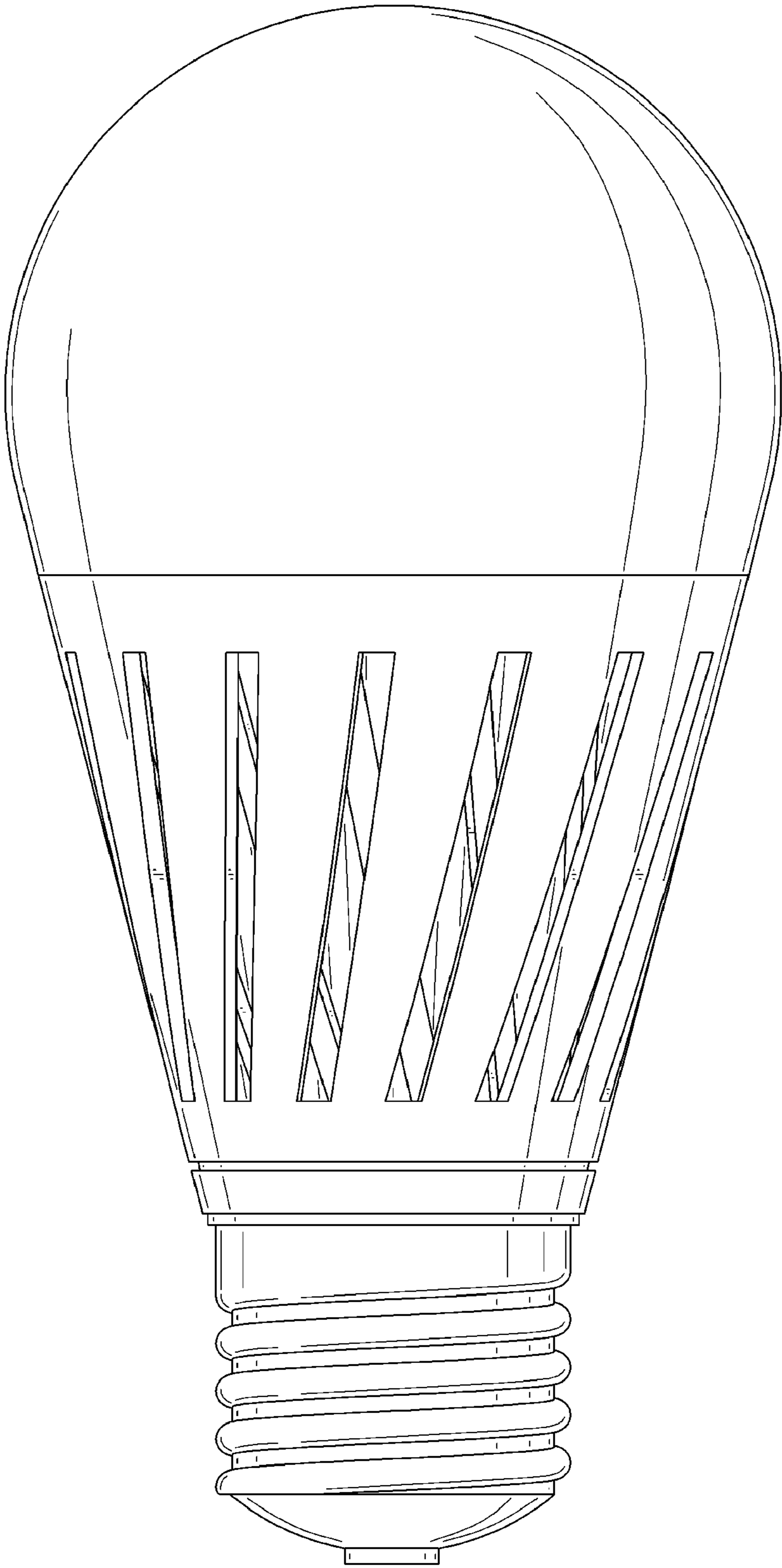


FIG. 3

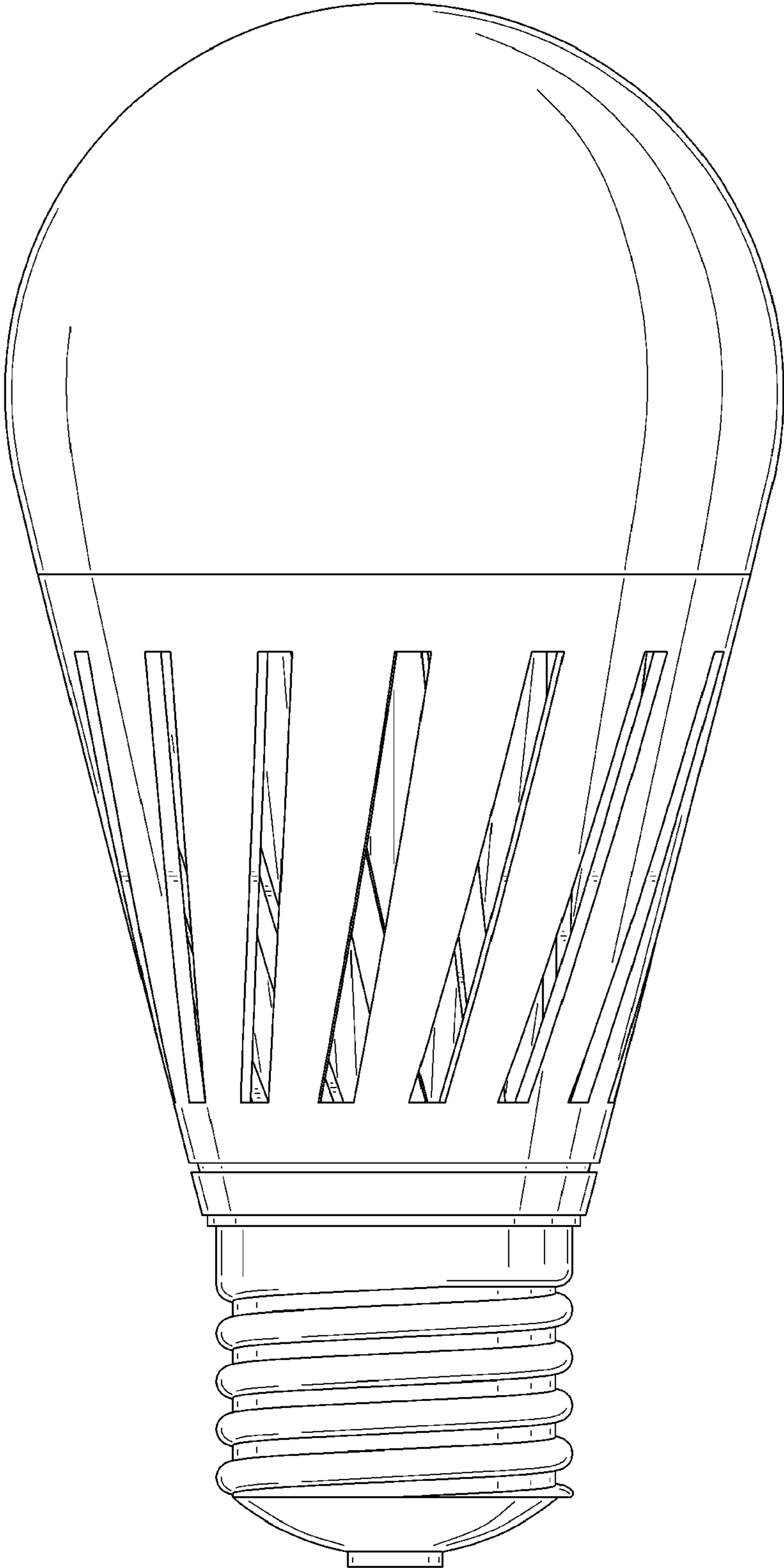


FIG. 4

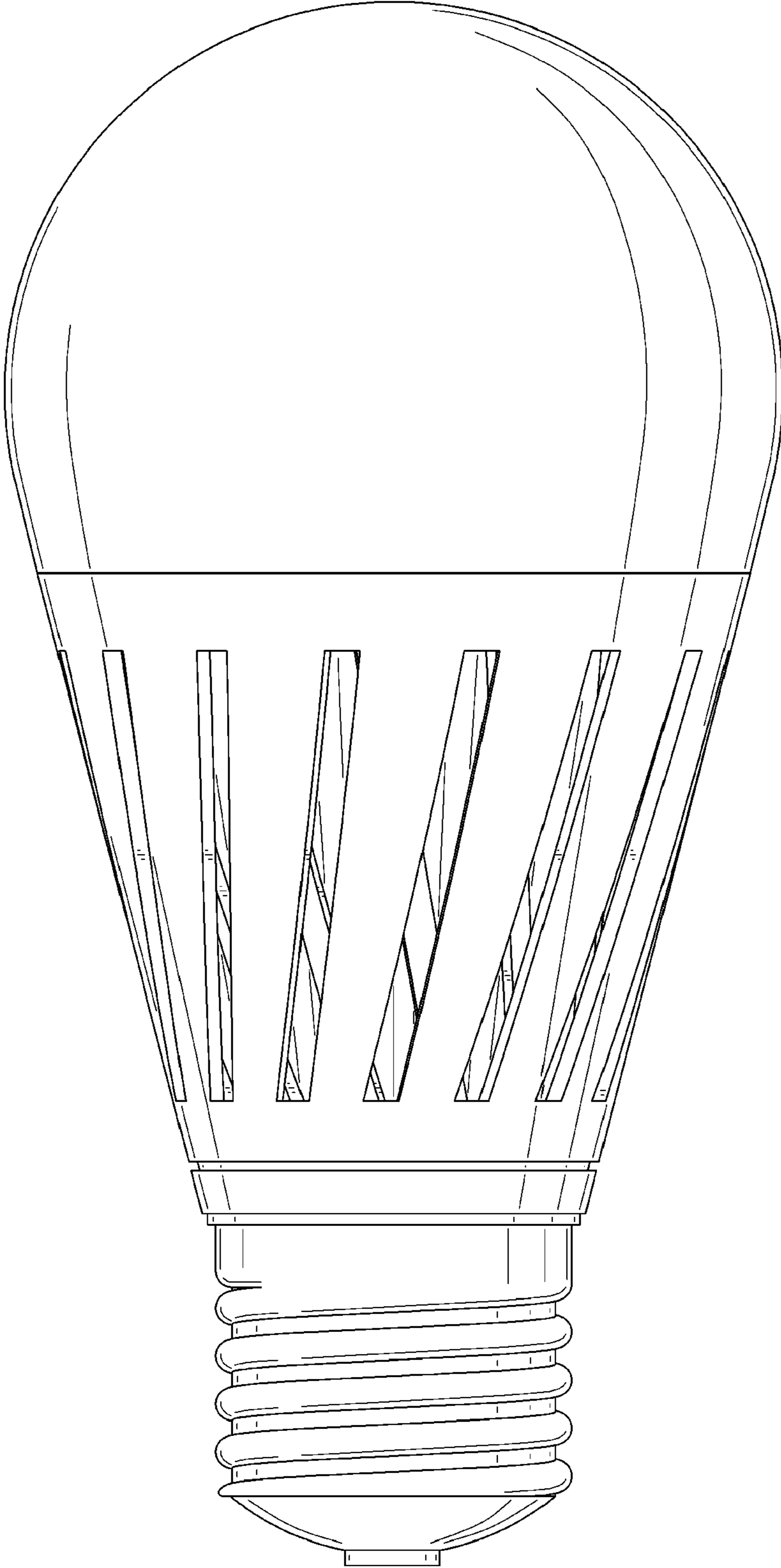


FIG. 5

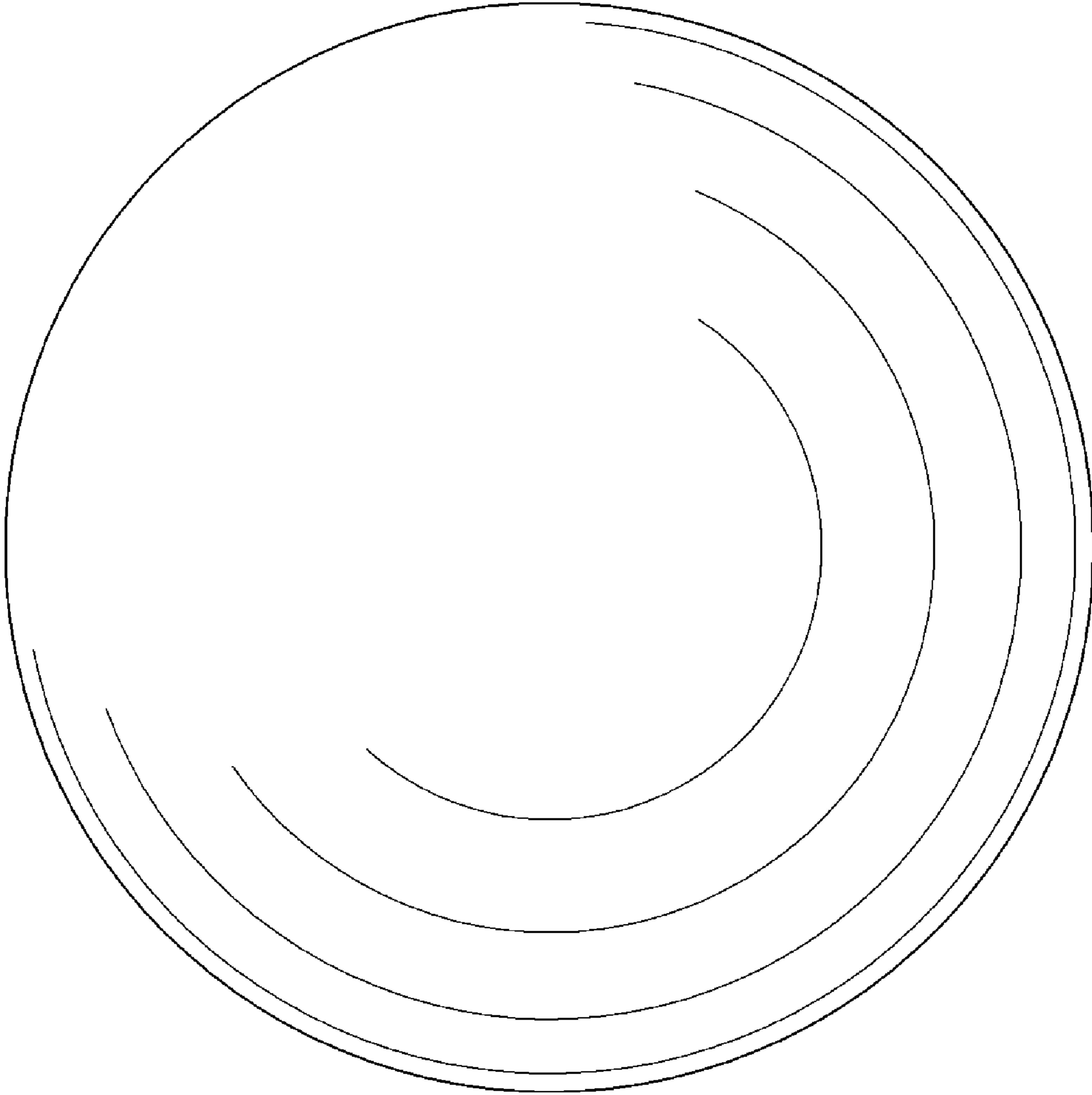


FIG. 6

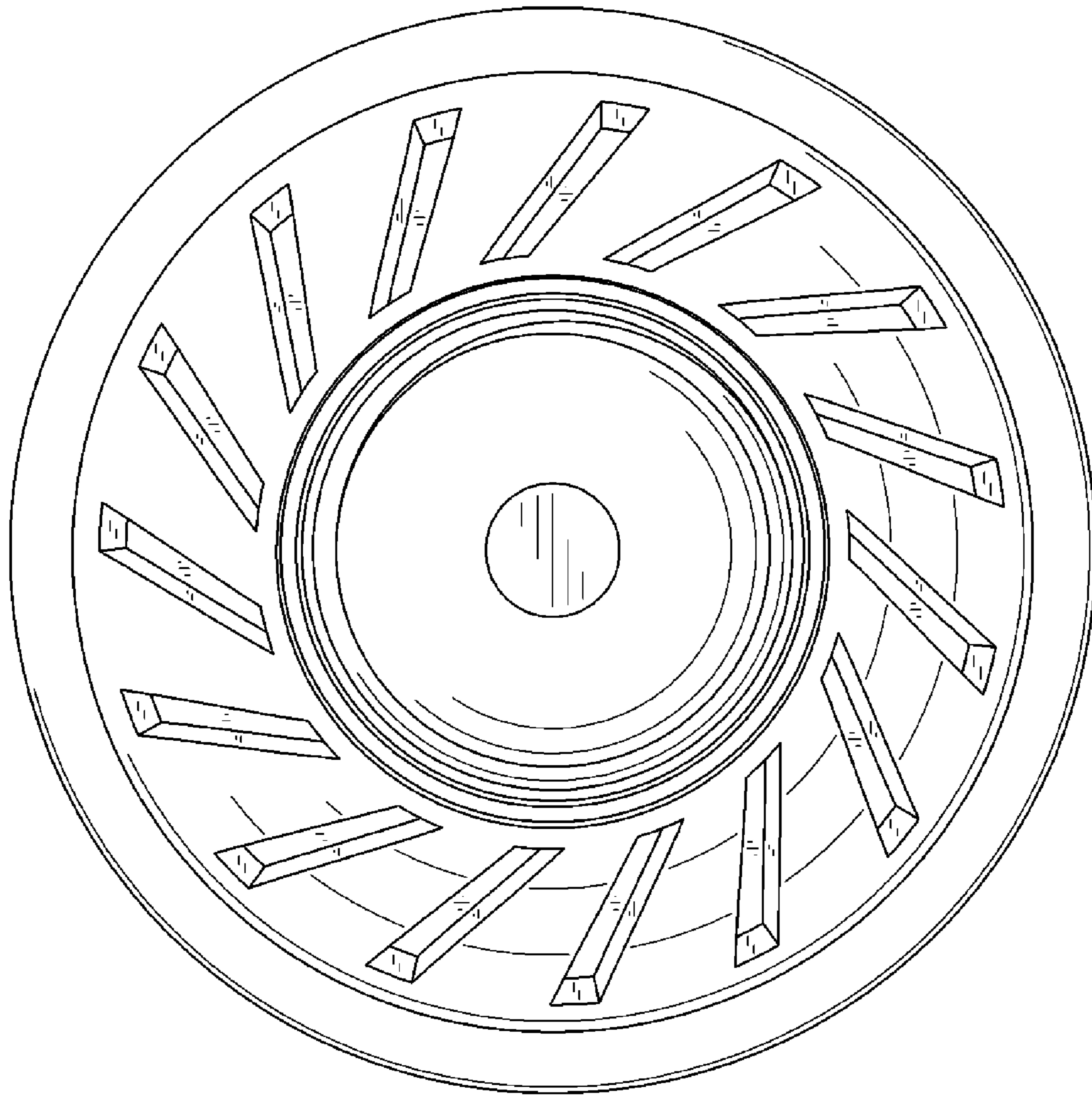


FIG. 7