



US00D628721S

(12) **United States Design Patent**
Lee

(10) **Patent No.:** **US D628,721 S**
(45) **Date of Patent:** **** Dec. 7, 2010**

(54) **LED LAMP**

(76) Inventor: **Kechin Lee**, No. 14, Wenhua East Rd.,
Baishi Ind. Area, Sanxiang Town,
Zhongshan City, Guangdong (CN)
528463

(**) Term: **14 Years**

(21) Appl. No.: **29/361,336**

(22) Filed: **May 10, 2010**

(51) **LOC (9) Cl.** **26-04**

(52) **U.S. Cl.** **D26/2**

(58) **Field of Classification Search** D26/1-4;
313/313, 315, 316, 317, 318, 493; 315/52,
315/53, 56, 57, 58

See application file for complete search history.

(56) **References Cited**

U.S. PATENT DOCUMENTS

D494,688 S *	8/2004	Van de Ven et al.	D26/2
D542,426 S *	5/2007	Itaya et al.	D26/2
D549,361 S *	8/2007	To et al.	D26/2

* cited by examiner

Primary Examiner—Marcus A Jackson

(74) *Attorney, Agent, or Firm*—Altera Law Group, LLC

(57) **CLAIM**

The ornamental design for an LED lamp, as shown and described.

DESCRIPTION

FIG. 1 is a perspective view of the LED lamp.

FIG. 2 is another perspective view of the LED lamp showing the design.

FIG. 3 is a front elevational view thereof.

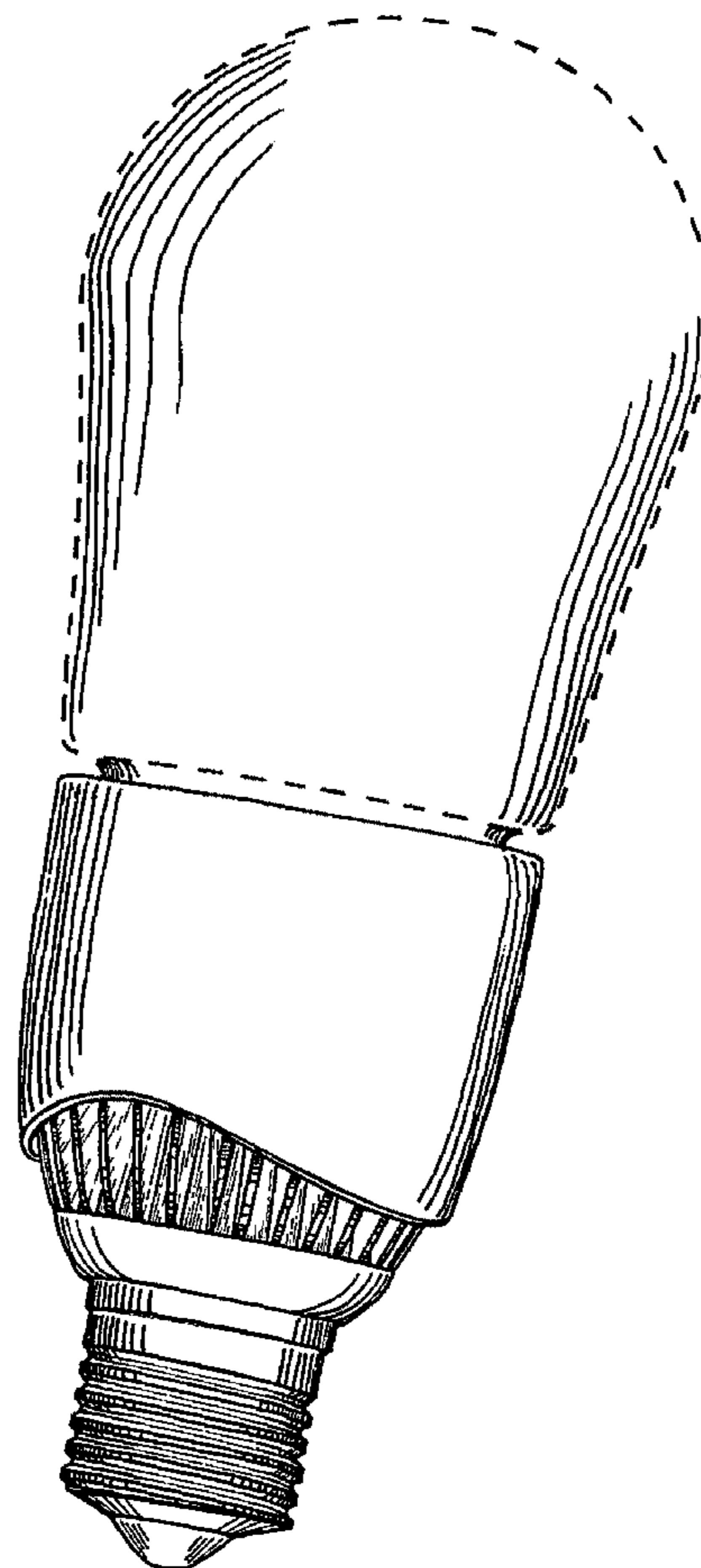
FIG. 4 is a rear elevational view thereof.

FIG. 5 is a left elevational view thereof; and,

FIG. 6 is a top plan view thereof.

The portions of the disclosure shown in broken lines form no part of the claimed design.

1 Claim, 6 Drawing Sheets



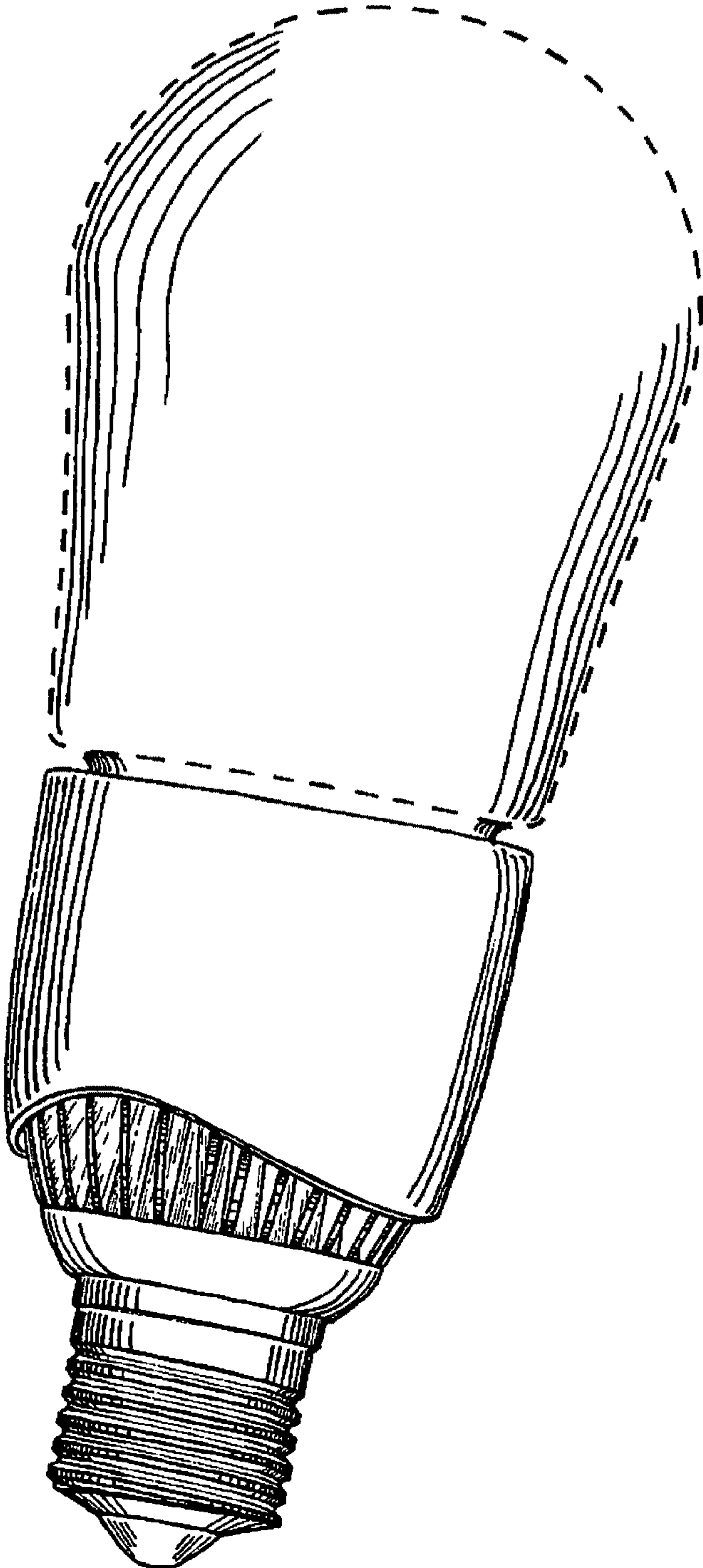


FIG. 1

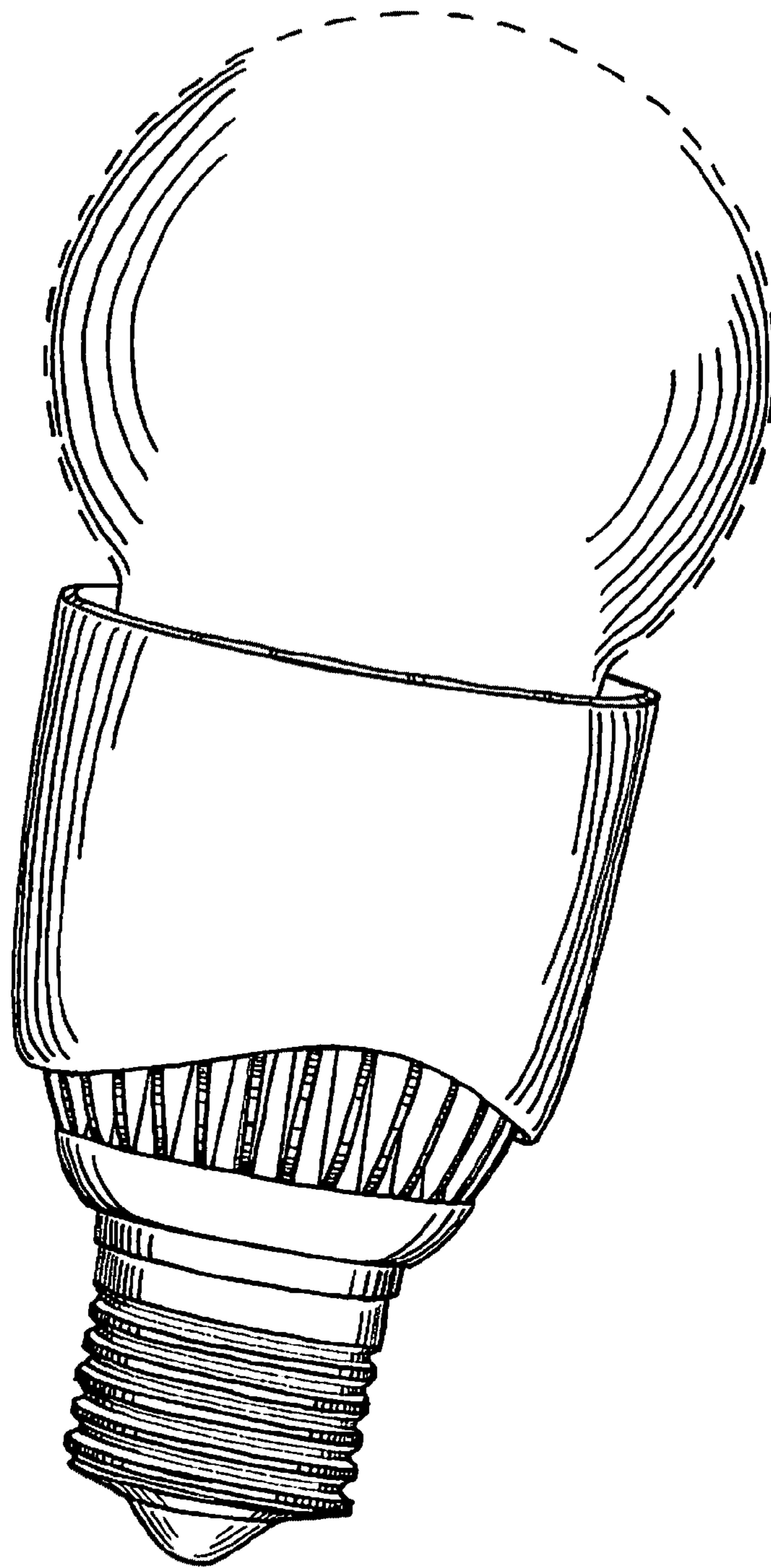


FIG. 2

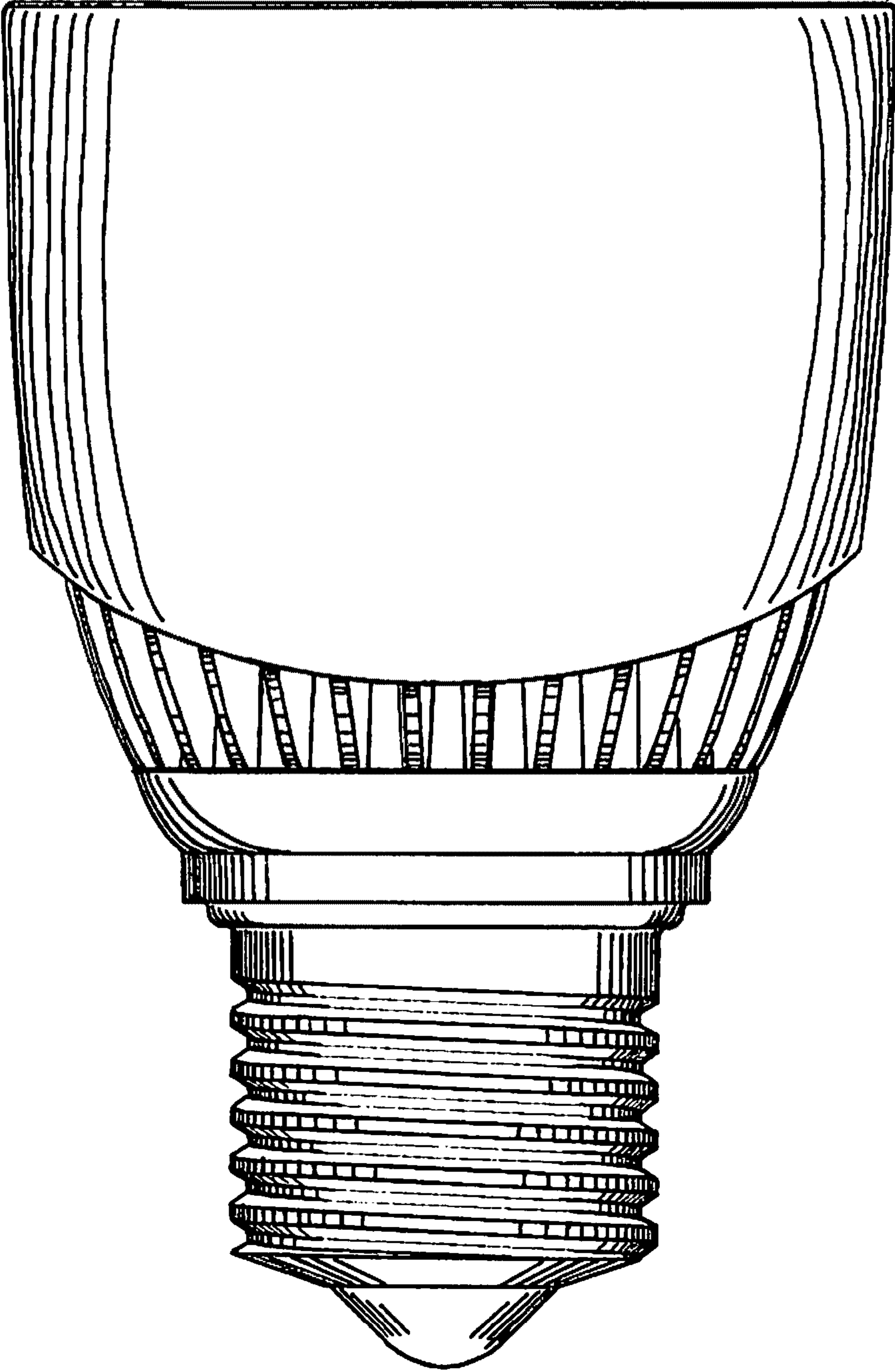


FIG. 3

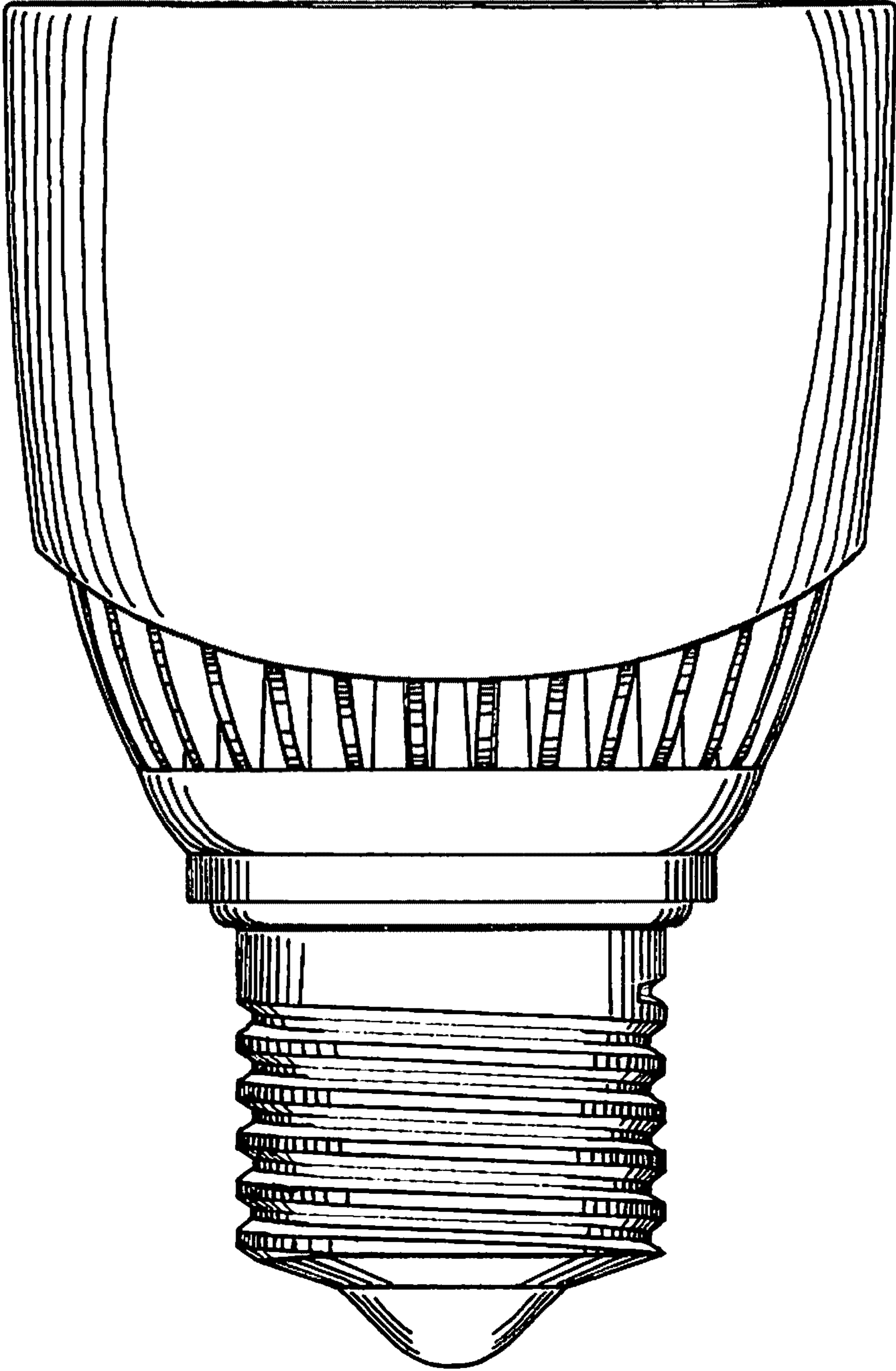


FIG. 4

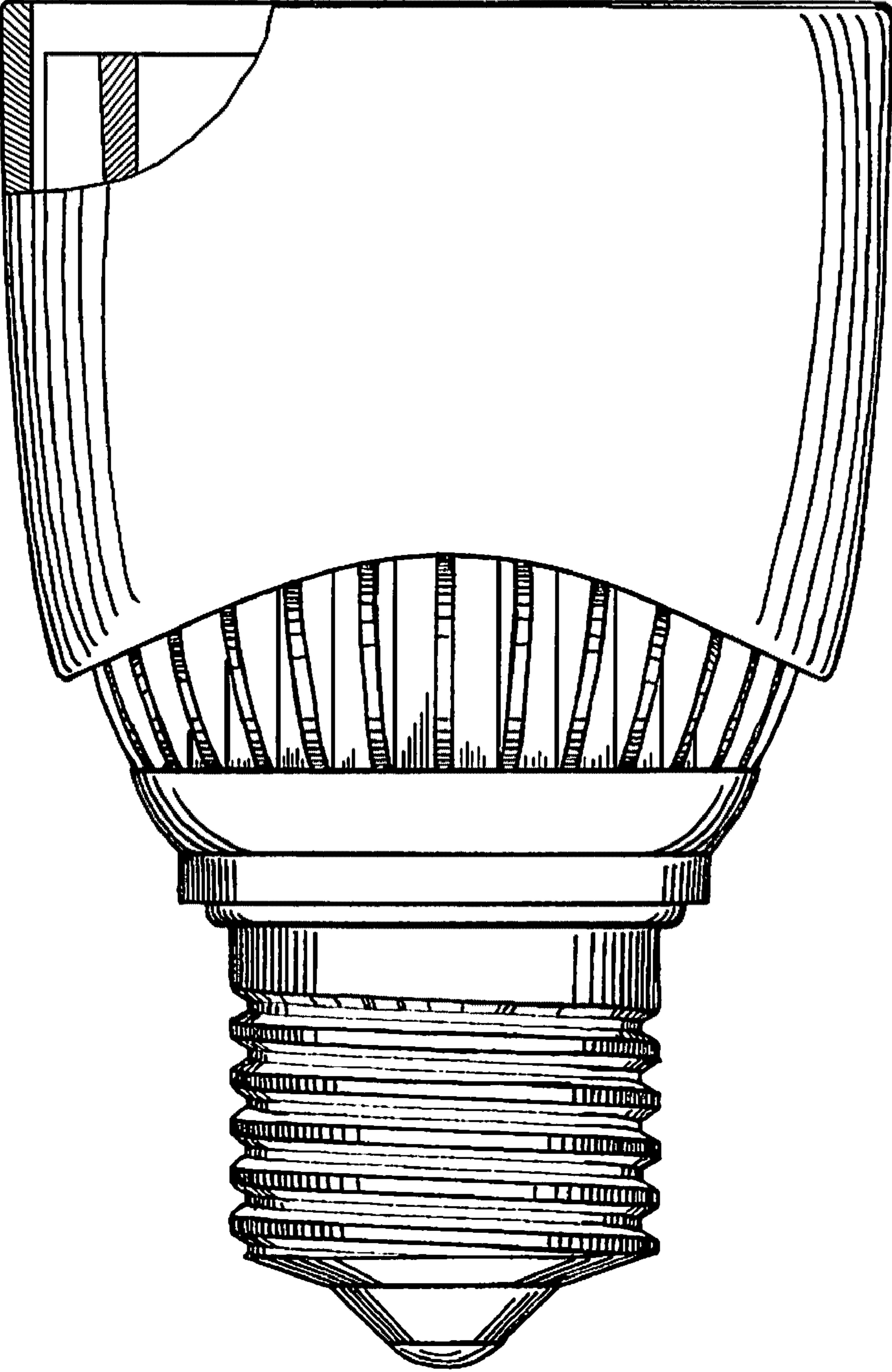


FIG. 5

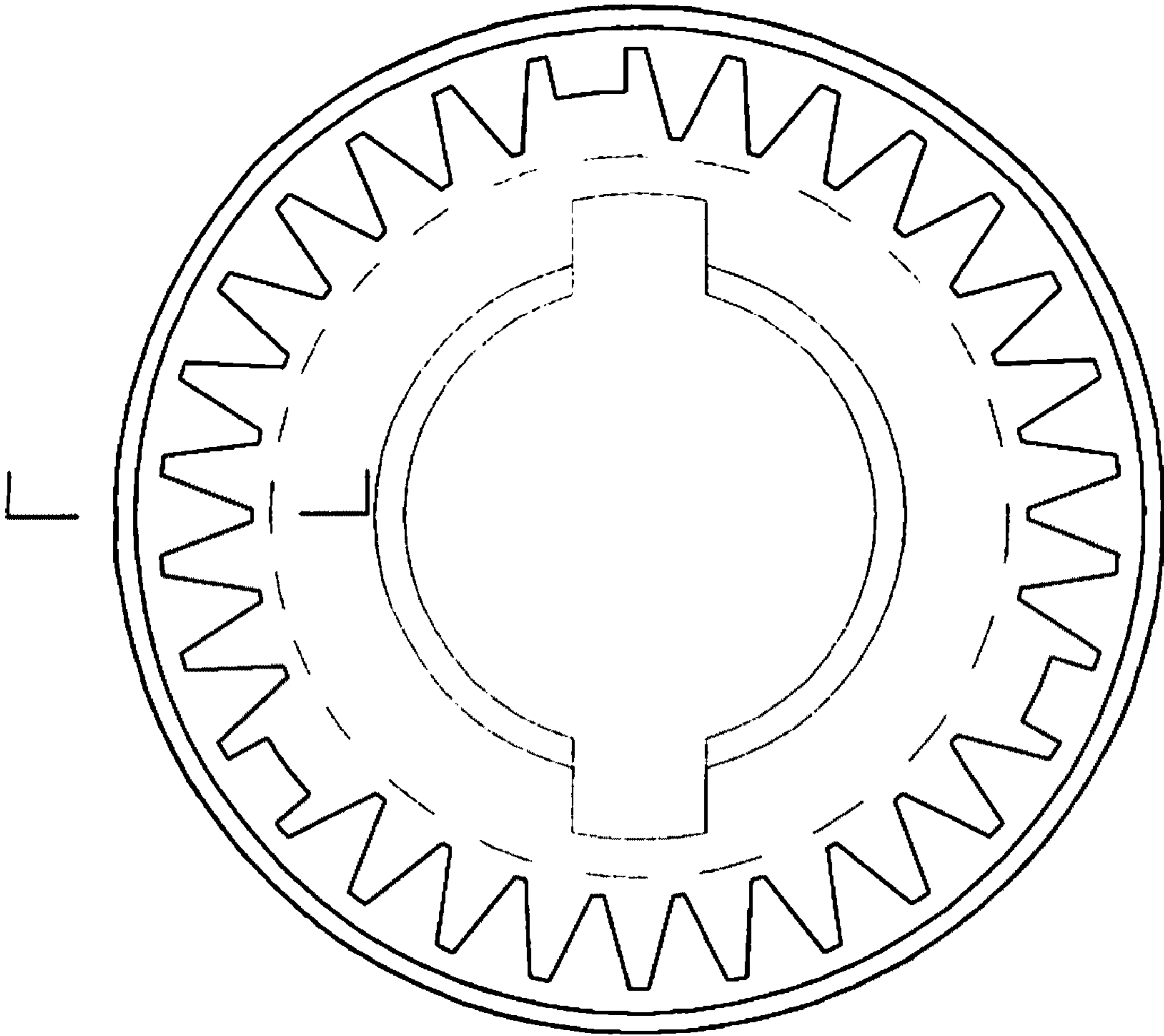


FIG. 6