

US00D628717S

(12) **United States Design Patent**
Gosling et al.

(10) **Patent No.:** **US D628,717 S**
(45) **Date of Patent:** **** Dec. 7, 2010**

- (54) **DISC-SHAPED INTERFACE MEMBER FOR ARCHITECTURAL DIVIDER ASSEMBLIES**
- (75) Inventors: **Geoff Gosling**, Calgary (CA); **Mogens Smed**, De Winton (CA)
- (73) Assignee: **Dirtt Environmental Solutions, Ltd.**, Calgary (CA)
- (**) Term: **14 Years**
- (21) Appl. No.: **29/363,794**
- (22) Filed: **Jun. 14, 2010**
- (51) **LOC (9) Cl.** **25-01**
- (52) **U.S. Cl.** **D25/122**
- (58) **Field of Classification Search** D25/121, D25/122; 52/93.1, 127.6, 127.8, 345, 459, 52/460, 465, 469, 471, 468, 481.1
See application file for complete search history.

(56) **References Cited**

U.S. PATENT DOCUMENTS

2,800,983	A *	7/1957	Toney	52/464
5,112,475	A *	5/1992	Henry, Jr.	209/399
D408,932	S *	4/1999	Hart	D25/122
5,950,385	A *	9/1999	Herren	52/481.1
7,743,575	B2 *	6/2010	Ito	52/582.1
2001/0025463	A1 *	10/2001	Rudduck	52/474

* cited by examiner

Primary Examiner—Doris Clark
(74) *Attorney, Agent, or Firm*—Workman Nydegger

(57) **CLAIM**

The ornamental design for a disc-shaped interface member for architectural divider assemblies, as shown and described.

DESCRIPTION

FIG. 1 is a perspective view of a disc-shaped interface member for architectural divider assemblies as used in a wall divider assembly;

FIG. 2 is an exploded perspective view thereof;

FIG. 3 is a close-up perspective view of a disc-shaped interface member for architectural divider assemblies;

FIG. 4 is a front elevational view thereof;

FIG. 5 is a top plan view thereof;

FIG. 6 is a bottom plan view thereof;

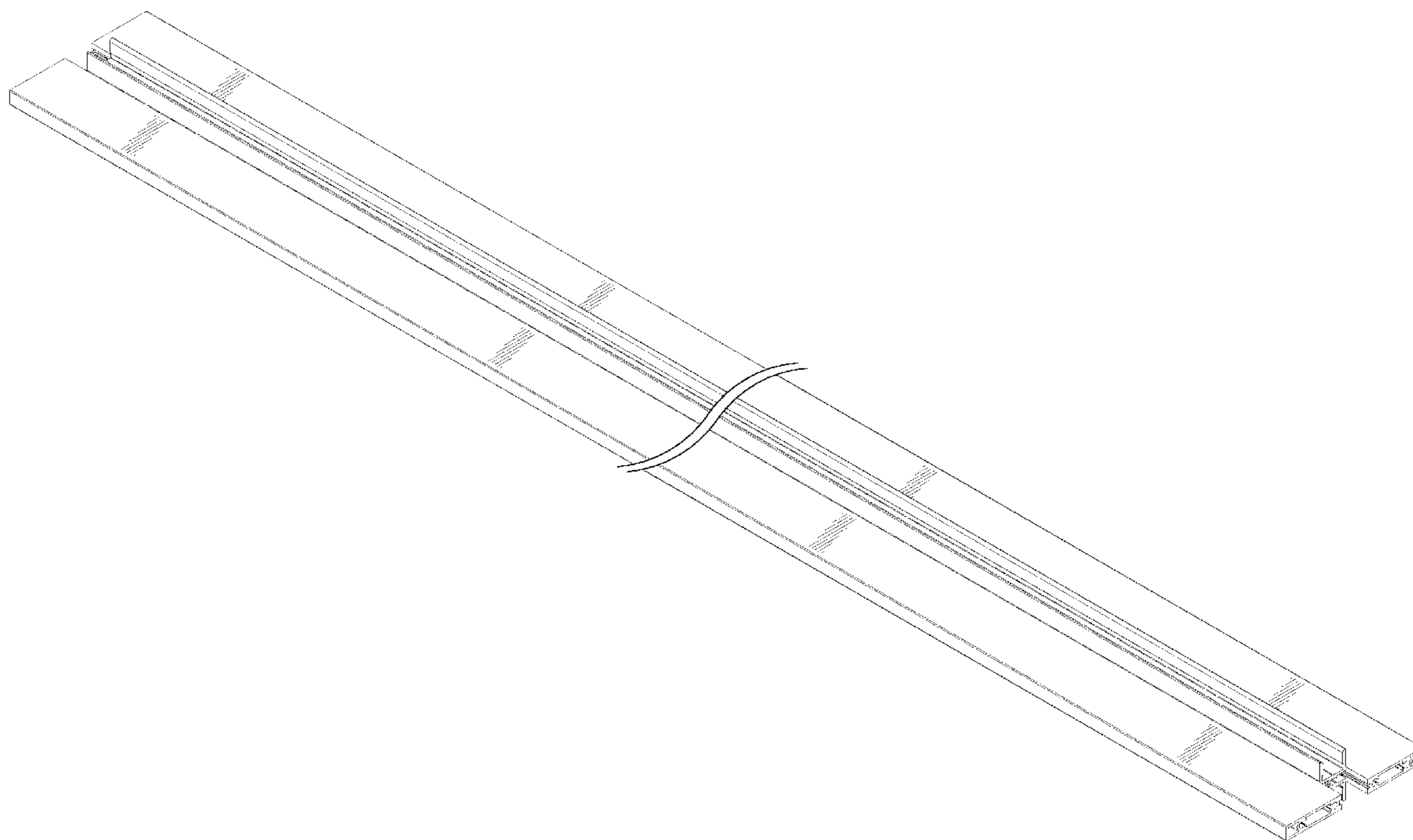
FIG. 7 is a left elevational view thereof;

FIG. 8 is a right elevational view thereof; and,

FIG. 9 is a rear elevational view thereof.

The broken lines are for illustrative purposes only and form no part of the claimed design.

1 Claim, 4 Drawing Sheets



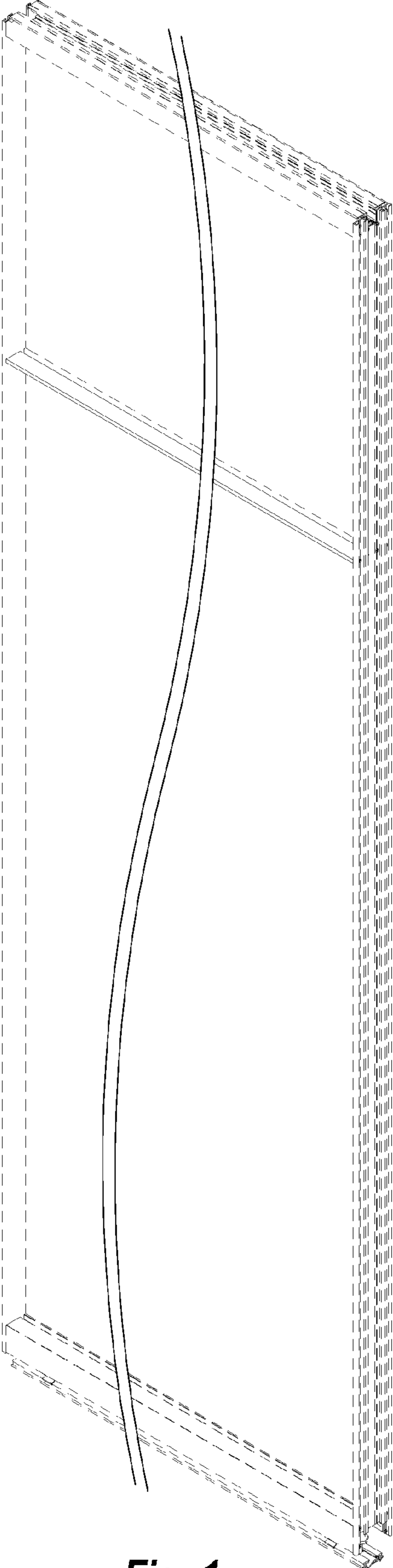


Fig. 1

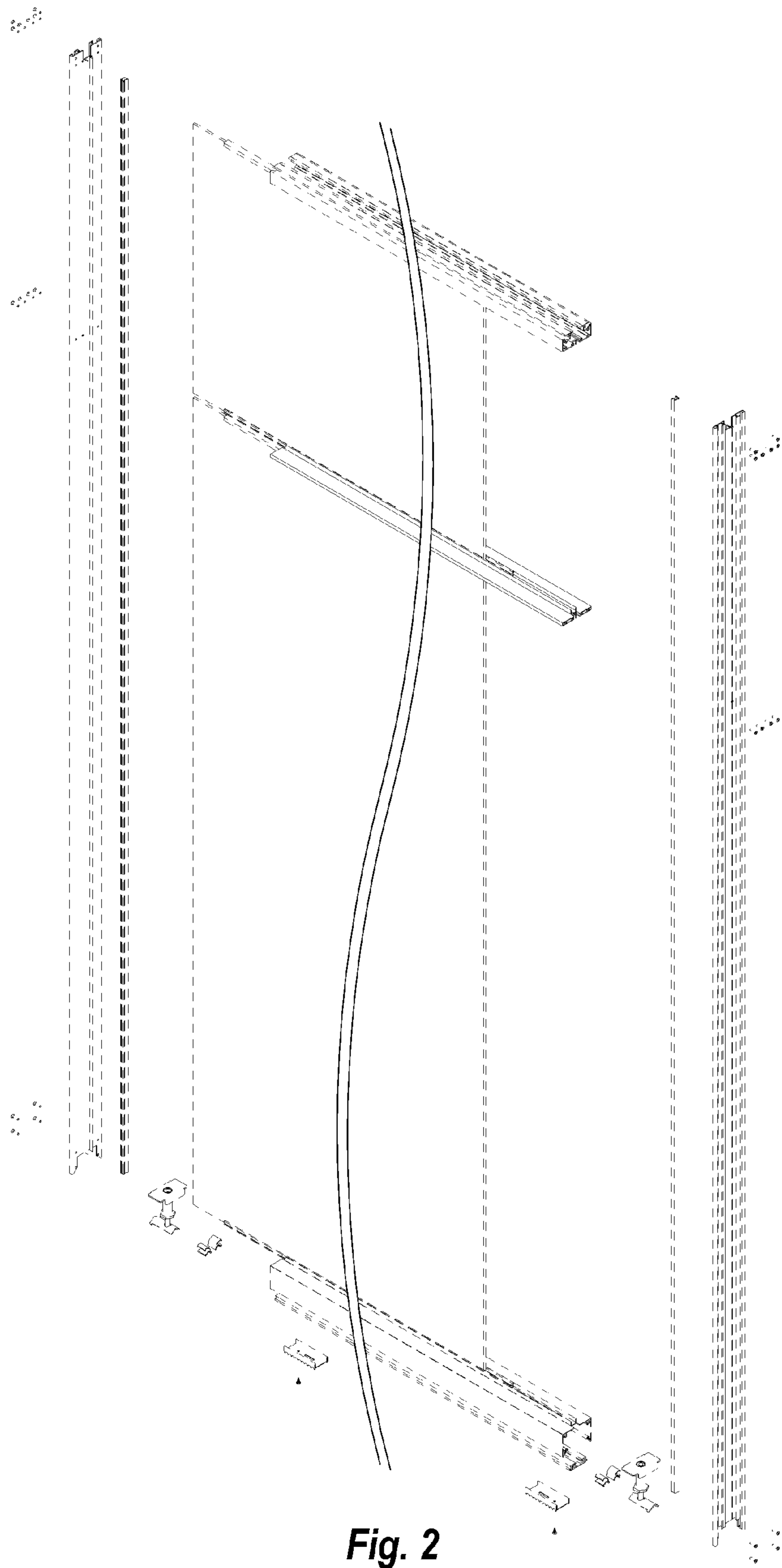


Fig. 2

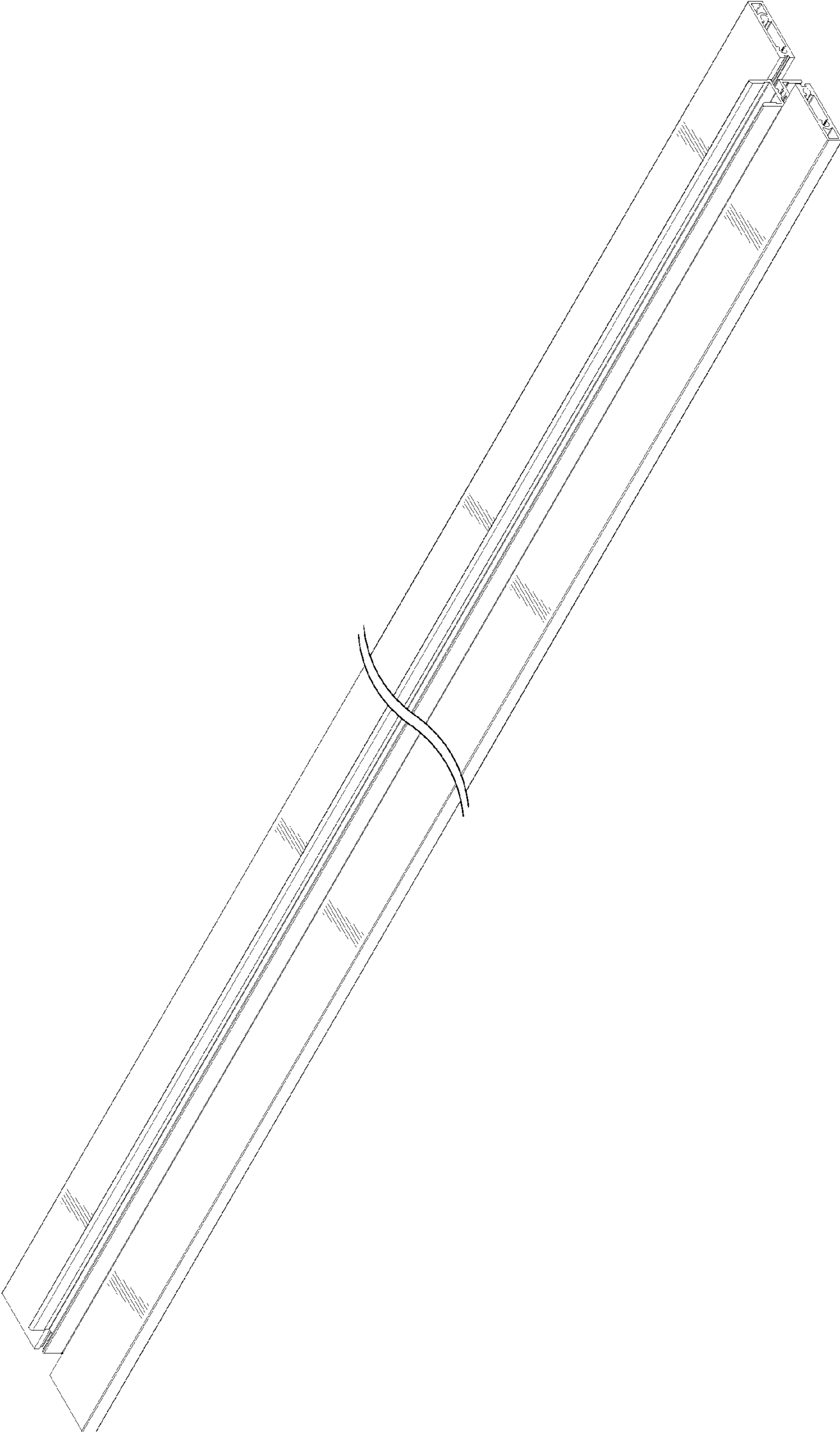


Fig. 3

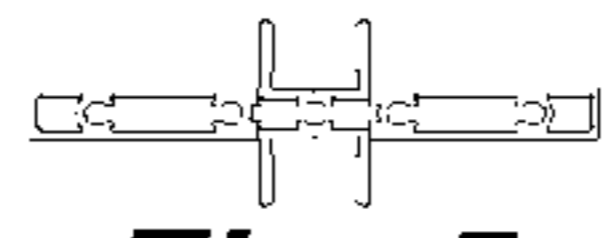


Fig. 5



Fig. 7

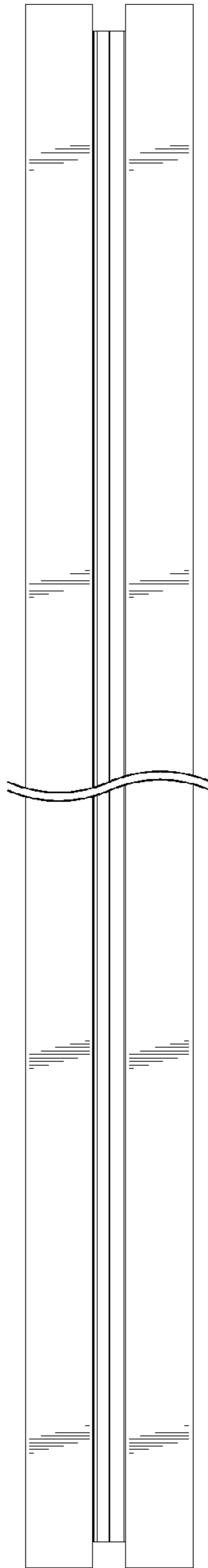


Fig. 4



Fig. 8

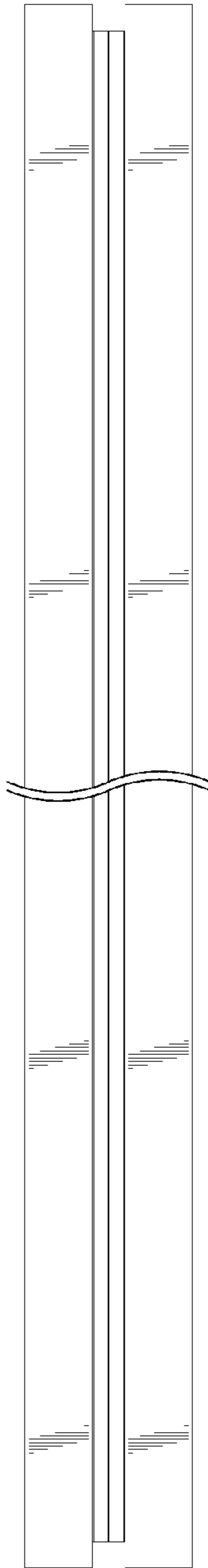


Fig. 9

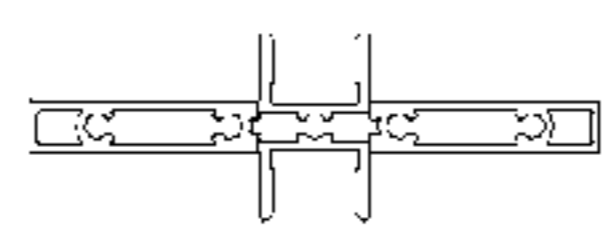


Fig. 6