



US00D628716S

(12) **United States Design Patent**
Gosling et al.

(10) **Patent No.:** **US D628,716 S**
(45) **Date of Patent:** **** Dec. 7, 2010**

(54) **RECTANGULAR-SHAPED INTERFACE MEMBER FOR ARCHITECTURAL DIVIDER ASSEMBLIES**

(75) Inventors: **Geoff Gosling**, Calgary (CA); **Mogens Smed**, DeWinton (CA)

(73) Assignee: **Dirtt Environmental Solutions, Ltd.**, Calgary (CA)

(**) Term: **14 Years**

(21) Appl. No.: **29/363,792**

(22) Filed: **Jun. 14, 2010**

(51) **LOC (9) Cl.** **25-01**

(52) **U.S. Cl.** **D25/121**

(58) **Field of Classification Search** D25/121, D25/122; 52/93.1, 127.6, 127.8, 345, 459, 52/460, 465, 469, 471, 468, 481.1
See application file for complete search history.

(56) **References Cited**

U.S. PATENT DOCUMENTS

3,292,328	A *	12/1966	Darling et al.	52/238.1
D412,756	S *	8/1999	McGee et al.	D25/121
5,943,834	A *	8/1999	Jeffers et al.	52/239
6,553,731	B2 *	4/2003	Hsueh	52/239
7,207,148	B2 *	4/2007	Surowiecki	52/653.1
D557,430	S *	12/2007	Hansen	D25/121
D566,299	S *	4/2008	Mann	D25/121

7,743,575 B2 * 6/2010 Ito 52/464

* cited by examiner

Primary Examiner—Doris Clark

(74) *Attorney, Agent, or Firm*—Workman Nydegger

(57) **CLAIM**

The ornamental design for a rectangular-shaped interface member for architectural divider assemblies, as shown and described.

DESCRIPTION

FIG. 1 is a perspective view of a rectangular-shaped interface member for architectural divider assemblies as used in a wall divider assembly;

FIG. 2 is an exploded perspective view thereof;

FIG. 3 is a close-up perspective view of a rectangular-shaped interface member for architectural divider assemblies;

FIG. 4 is a front elevational view thereof;

FIG. 5 is a top plan view thereof;

FIG. 6 is a bottom plan view thereof;

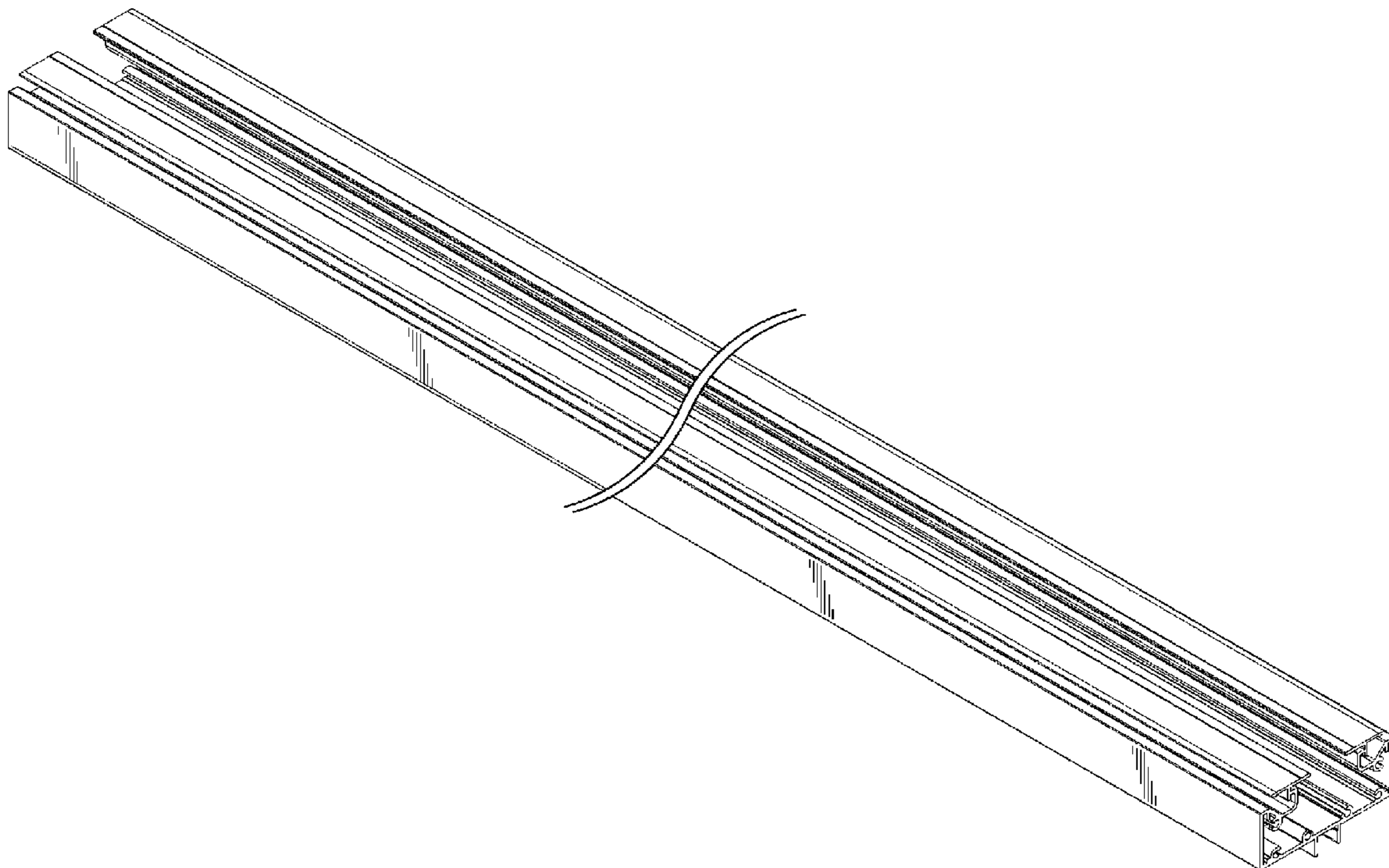
FIG. 7 is a left elevational view thereof;

FIG. 8 is a right elevational view thereof; and,

FIG. 9 is a rear elevational view thereof.

The broken lines are for illustrative purposes only and form no part of the claimed design.

1 Claim, 4 Drawing Sheets



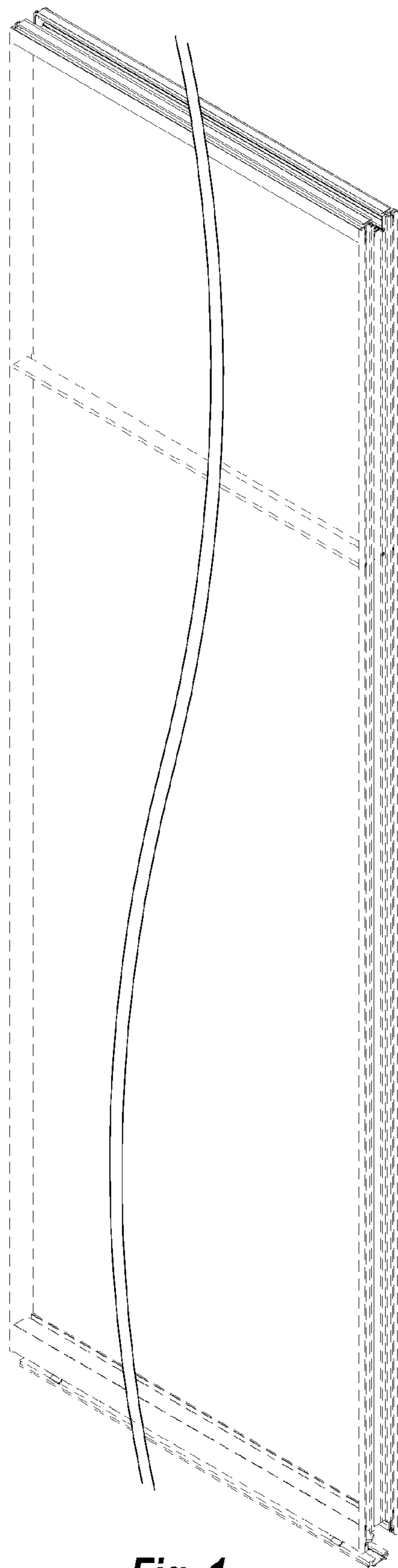


Fig. 1

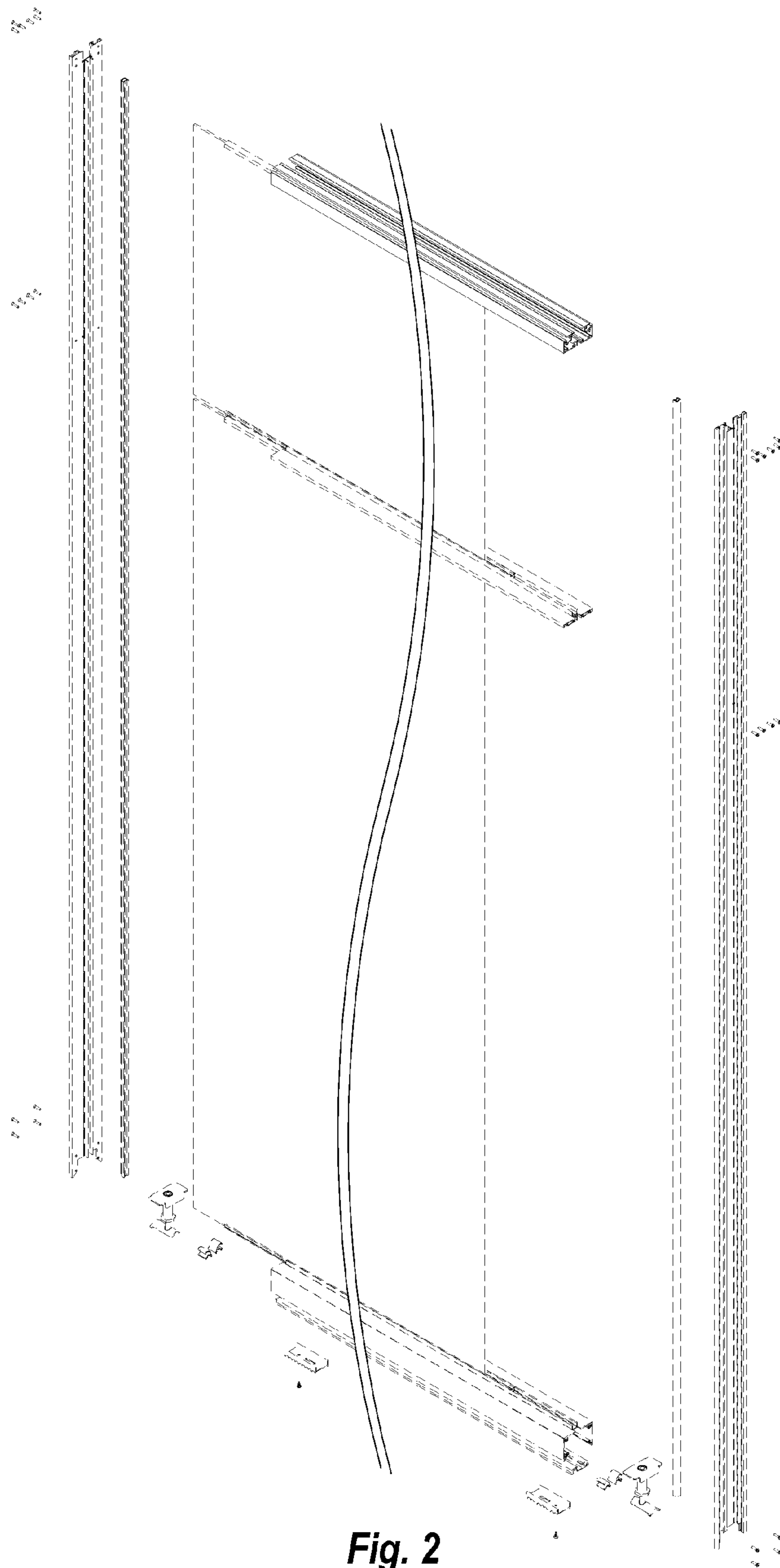


Fig. 2

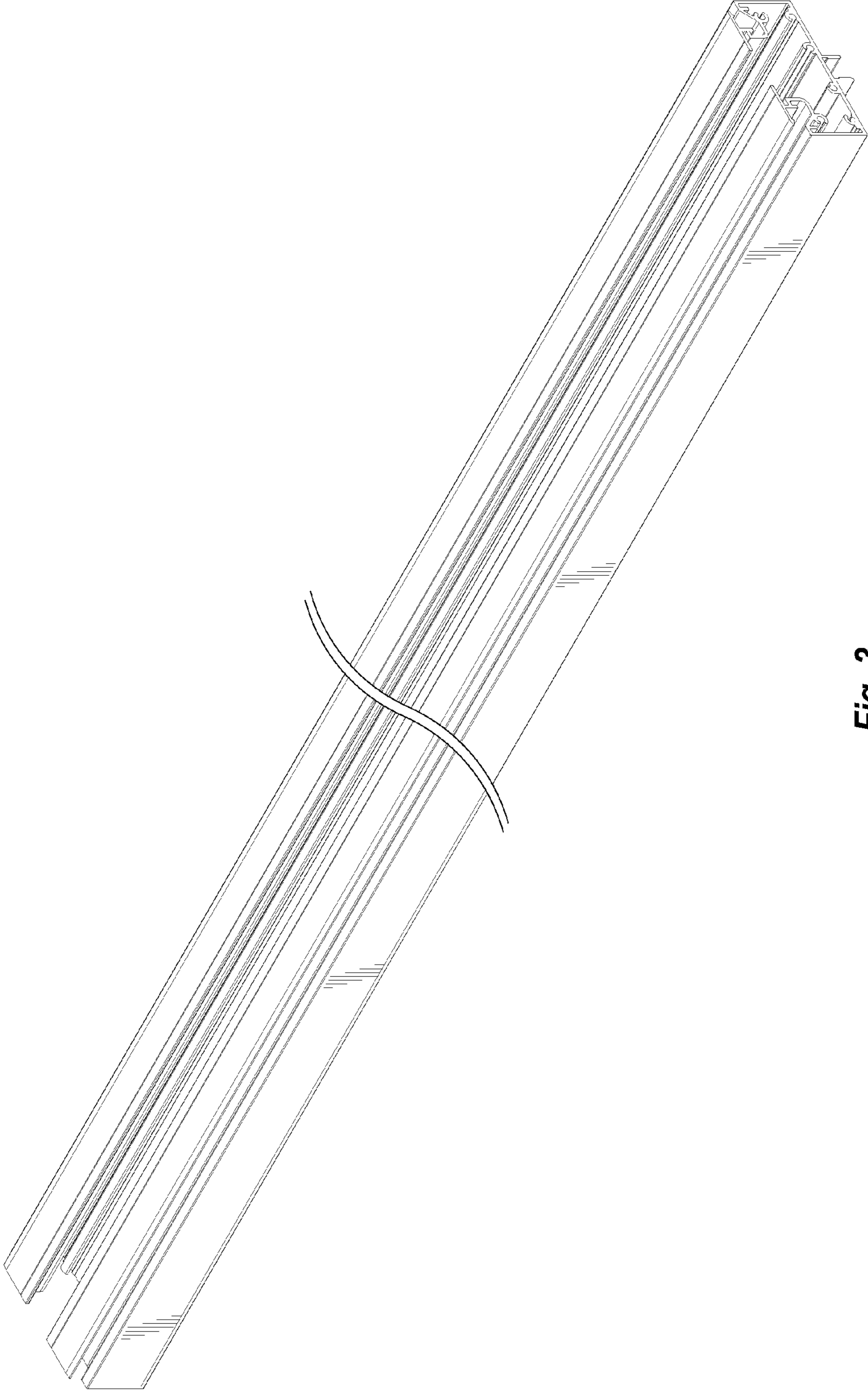


Fig. 3

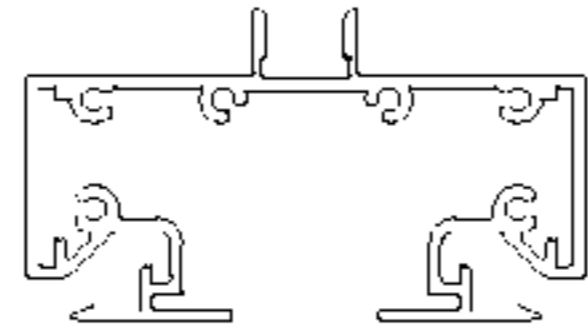


Fig. 5

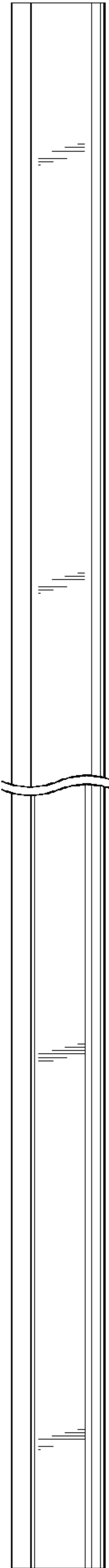


Fig. 7

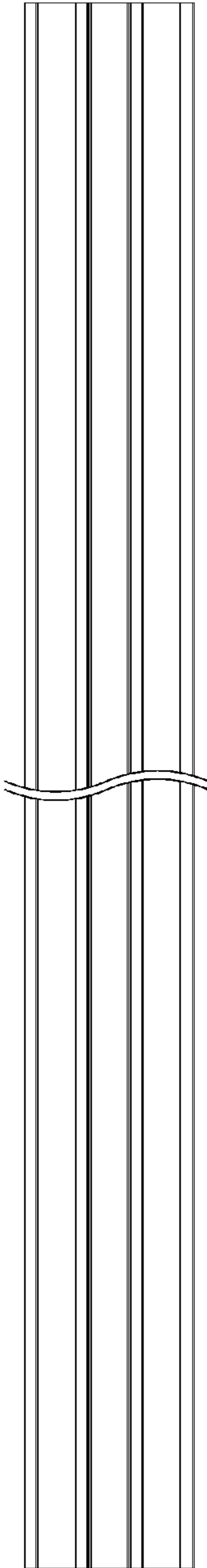


Fig. 4

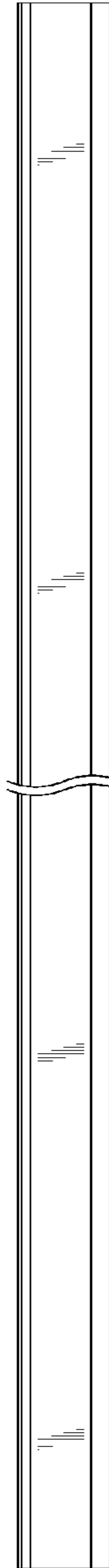


Fig. 8

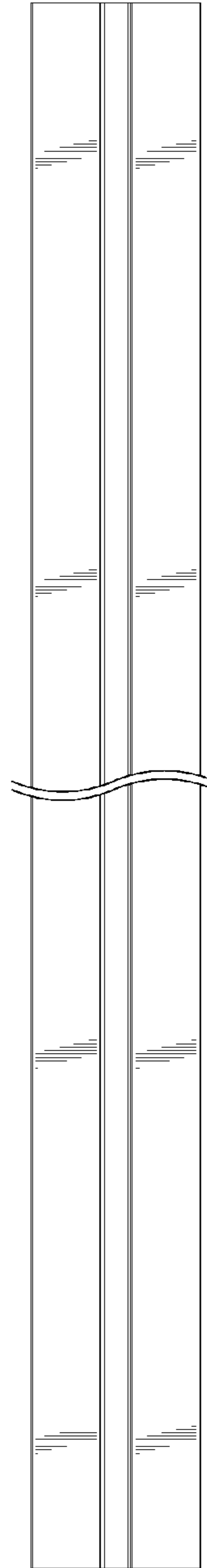


Fig. 9

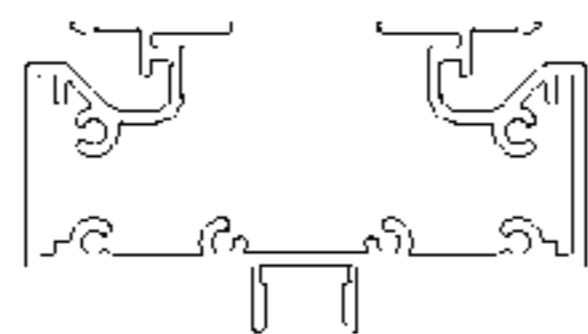


Fig. 6