



US00D628714S

(12) **United States Design Patent**
Gosling et al.

(10) **Patent No.:** **US D628,714 S**

(45) **Date of Patent:** **** Dec. 7, 2010**

(54) **VERTICAL INTERFACE MEMBER FOR ARCHITECTURAL DIVIDER ASSEMBLIES**

Primary Examiner—Doris Clark
(74) *Attorney, Agent, or Firm*—Workman Nydegger

(75) Inventors: **Geoff Gosling**, Calgary (CA); **Mogens Smed**, De Winton (CA)

(57) **CLAIM**

(73) Assignee: **Dirtt Environmental Solutions, Ltd.**, Calgary (CA)

The ornamental design for a vertical interface member for architectural divider assemblies, as shown and described.

(**) Term: **14 Years**

DESCRIPTION

(21) Appl. No.: **29/363,788**

(22) Filed: **Jun. 14, 2010**

(51) **LOC (9) Cl.** **25-01**

(52) **U.S. Cl.** **D25/121**

(58) **Field of Classification Search** D25/121,
D25/122; 52/93.1, 127.6, 127.8, 345, 459,
52/460, 465, 469, 471, 468, 481.1

See application file for complete search history.

FIG. 1 is a perspective view of a vertical interface member for architectural divider assemblies as used in a wall divider assembly;

FIG. 2 is an exploded perspective view thereof;

FIG. 3 is a close-up perspective view of a vertical interface member for architectural divider assemblies;

FIG. 4 is a front elevational view thereof;

FIG. 5 is a top plan view thereof;

FIG. 6 is a bottom plan view thereof;

FIG. 7 is a left elevational view thereof;

FIG. 8 is a right elevational view thereof; and,

FIG. 9 is a rear elevational view thereof.

The broken lines are for illustrative purposes only and form no part of the claimed design.

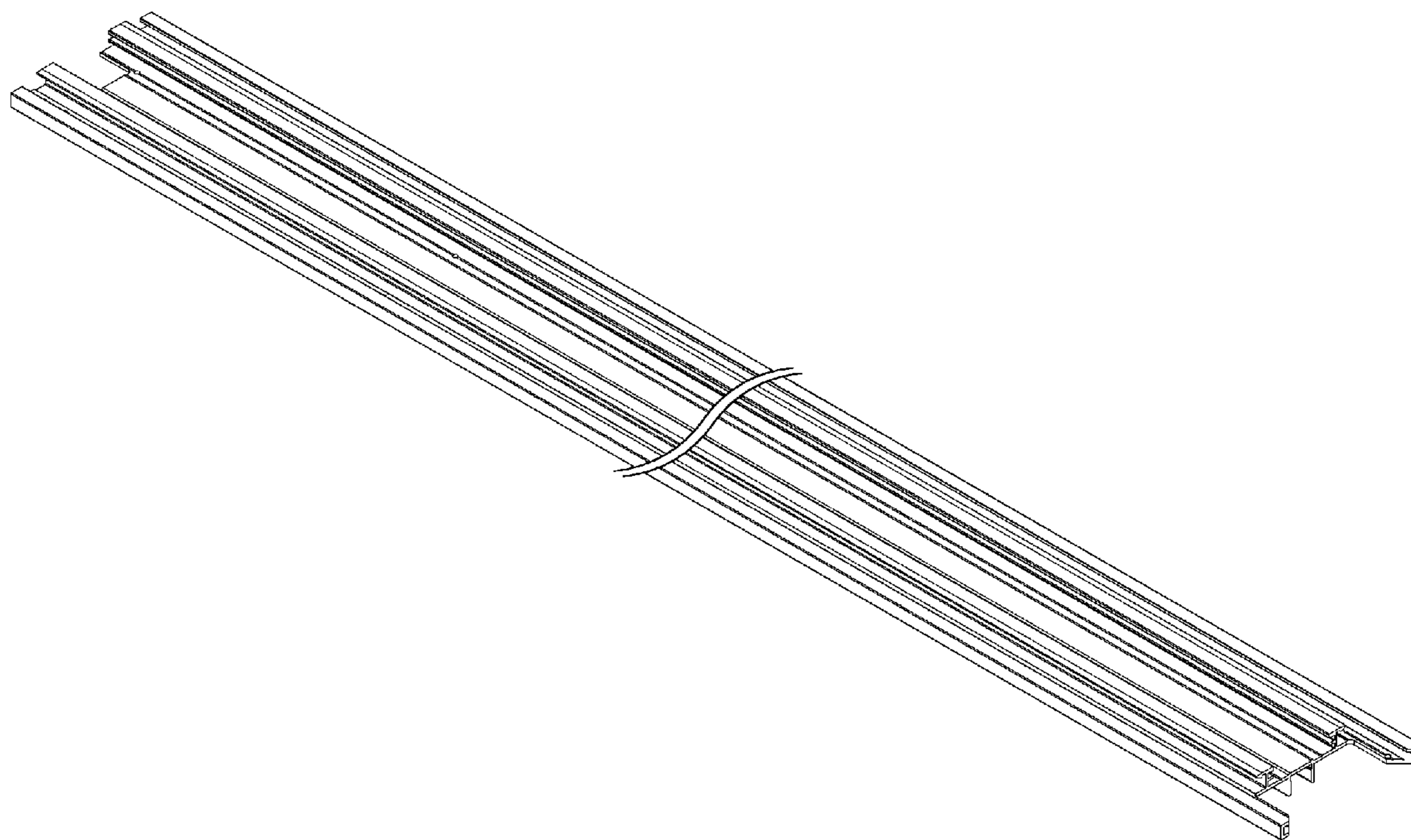
(56) **References Cited**

U.S. PATENT DOCUMENTS

2,671,538	A *	3/1954	Horowitz et al.	52/464
6,553,731	B2 *	4/2003	Hsueh	52/239
D574,518	S *	8/2008	Antonic	D25/121
7,743,575	B2 *	6/2010	Ito	52/582.1
2001/0025463	A1 *	10/2001	Rudduck	52/474
2007/0113501	A1 *	5/2007	Ohanesian	52/309.9

* cited by examiner

1 Claim, 4 Drawing Sheets



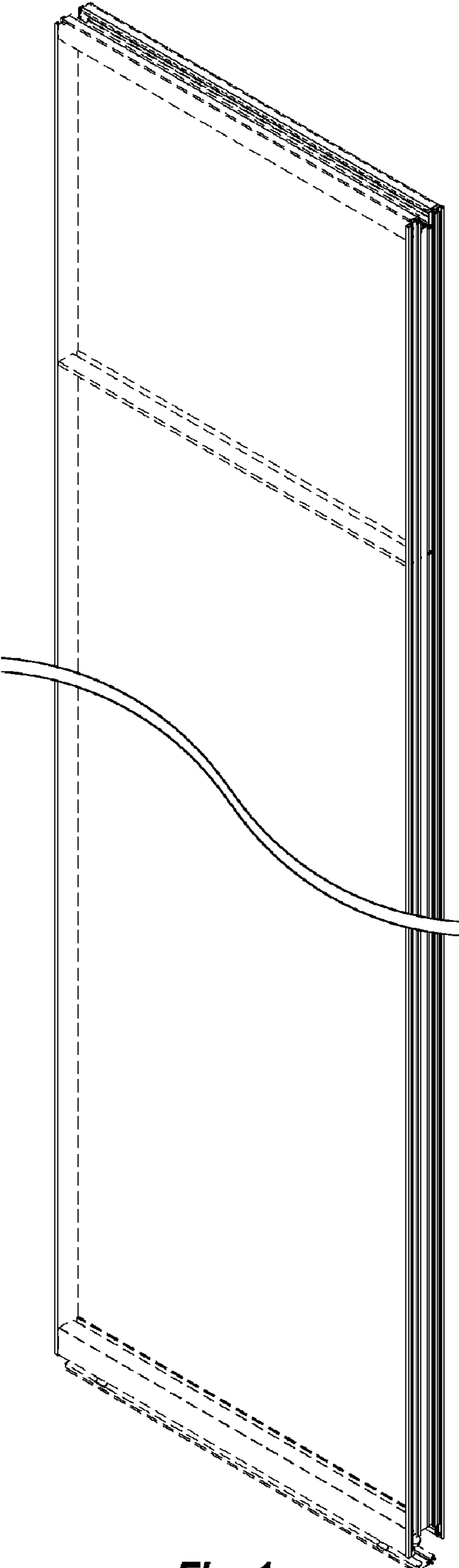


Fig. 1

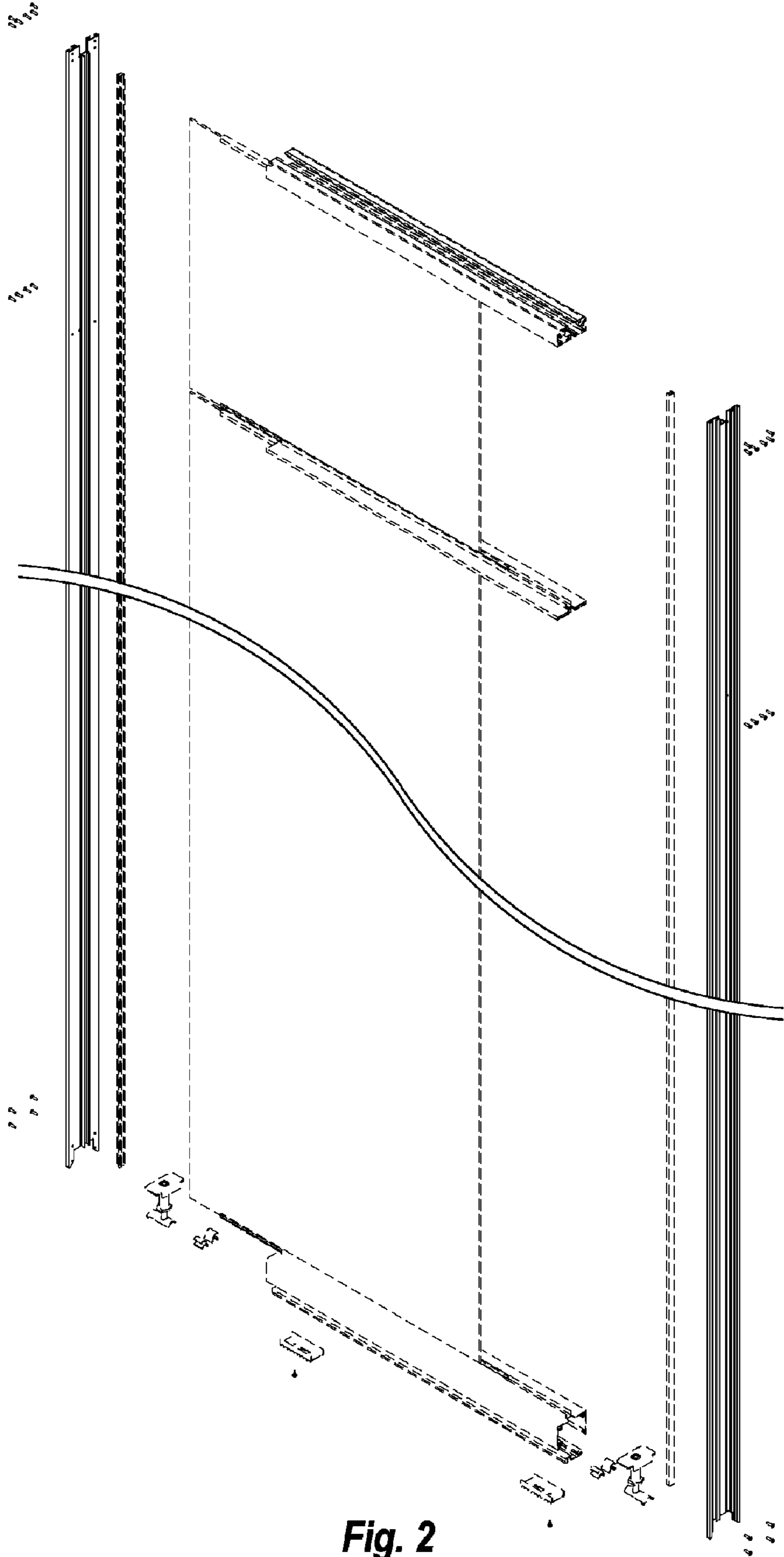


Fig. 2

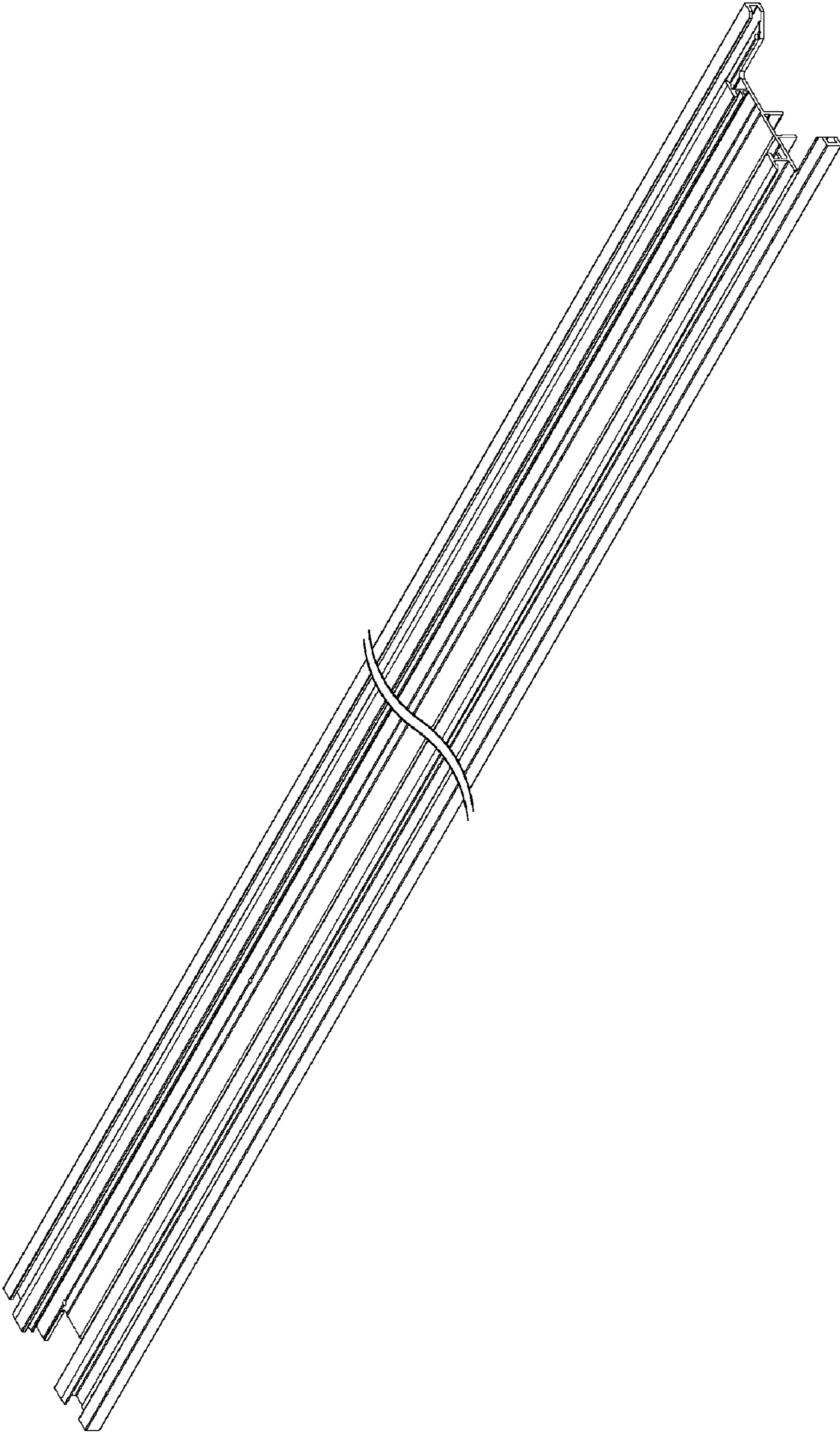


Fig. 3



Fig. 5

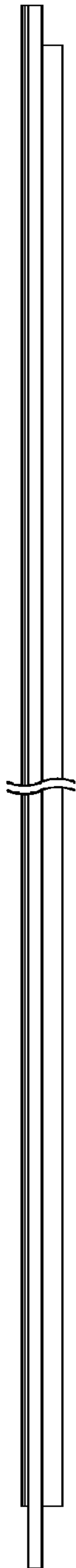


Fig. 7

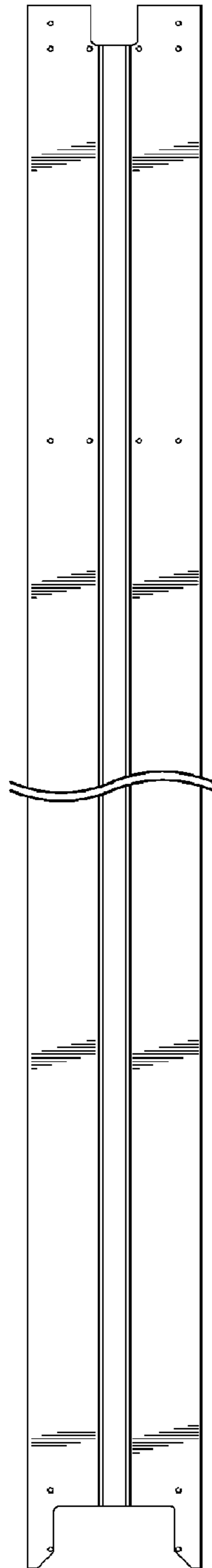


Fig. 4



Fig. 8

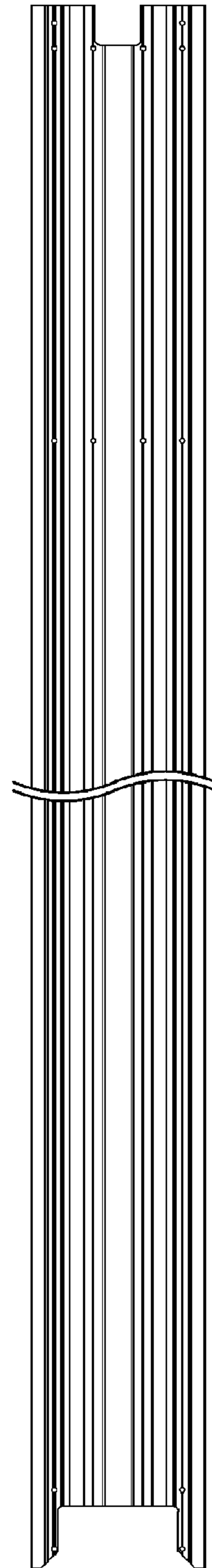


Fig. 9

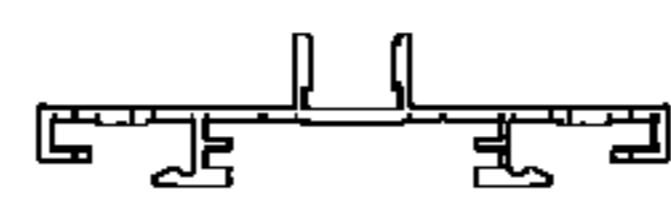


Fig. 6