

US00D628711S

(12) **United States Design Patent**
Mathis et al.

(10) **Patent No.:** **US D628,711 S**

(45) **Date of Patent:** **** Dec. 7, 2010**

(54) **SUNSHADES**

(75) Inventors: **Frank Mathis**, Bregenz (AT); **Hannes Obernosterer**, Zug (CH)

(73) Assignee: **Raymaster Holding AG**, Zug (CH)

(**) Term: **14 Years**

(21) Appl. No.: **29/346,670**

(22) Filed: **Nov. 4, 2009**

(30) **Foreign Application Priority Data**

May 8, 2009	(EM)	001135909-0001
May 8, 2009	(EM)	001135909-0002
May 8, 2009	(EM)	001135909-0003

(51) **LOC (9) Cl.** **25-02**

(52) **U.S. Cl.** **D25/56**

(58) **Field of Classification Search** D25/56;
160/19, 38, 29, 24, 22, 25, 26, 46; 135/87,
135/115, 117, 121

See application file for complete search history.

(56) **References Cited**

U.S. PATENT DOCUMENTS

2,125,801 A * 8/1938 Morgan 135/87

2,190,566 A *	2/1940	Julian	135/95
5,263,468 A *	11/1993	Powell	126/204
D399,974 S *	10/1998	Olofsson	D25/56
D522,146 S *	5/2006	Merritt	D25/56

* cited by examiner

Primary Examiner—Doris Clark

(74) *Attorney, Agent, or Firm*—Volpe and Koenig, P.C.

(57) **CLAIM**

The ornamental design for a sunshade, as shown and described.

DESCRIPTION

FIG. 1 is front, left perspective view of a sunshade in accordance with our design;

FIG. 2 is a front elevational view thereof;

FIG. 3 is a rear elevational view thereof;

FIG. 4 is a top plan view thereof;

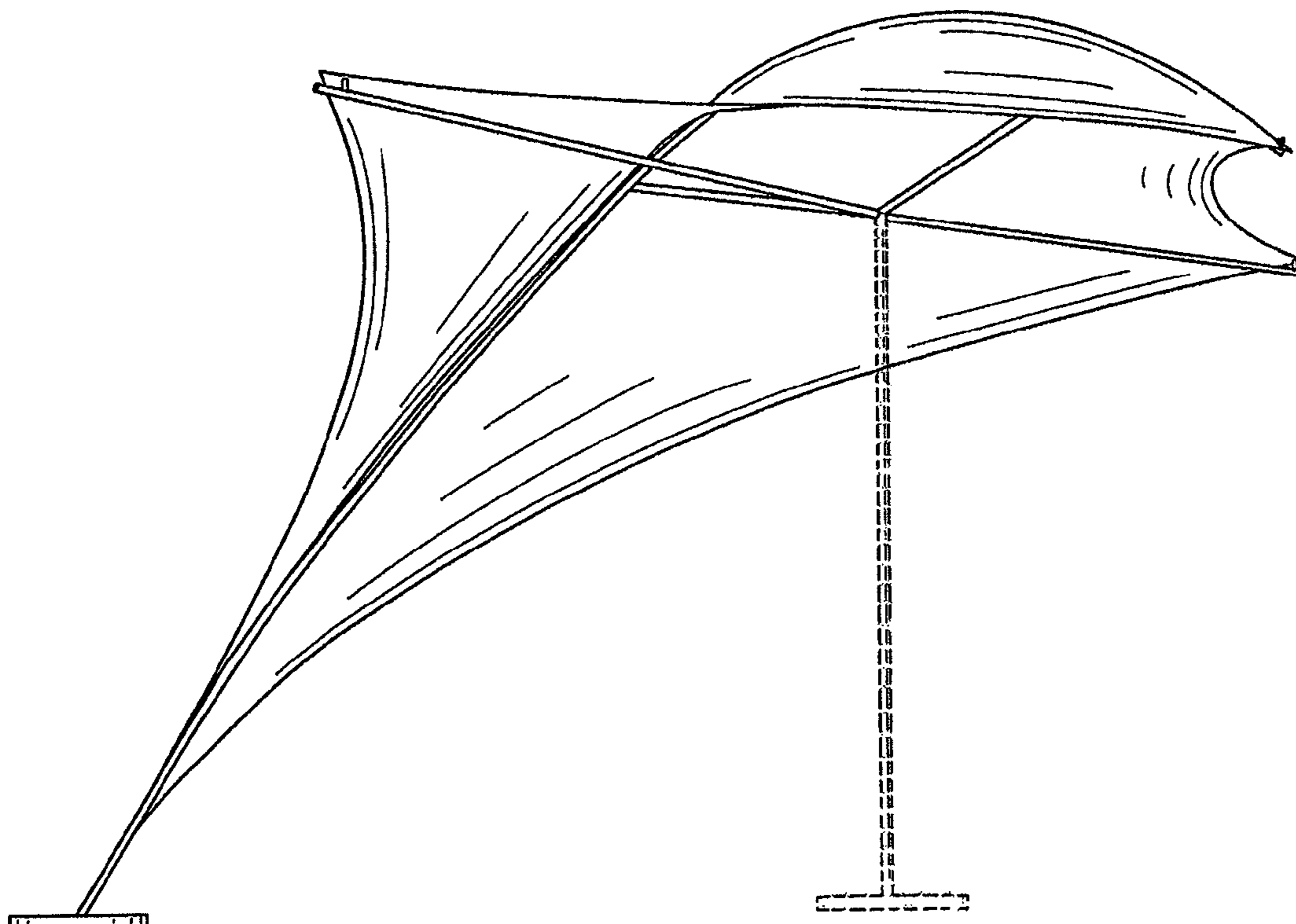
FIG. 5 is a bottom view thereof;

FIG. 6 is a right side elevational view thereof; and,

FIG. 7 is a left side elevational view thereof.

The broken lines illustrated form no part of the claimed design.

1 Claim, 7 Drawing Sheets



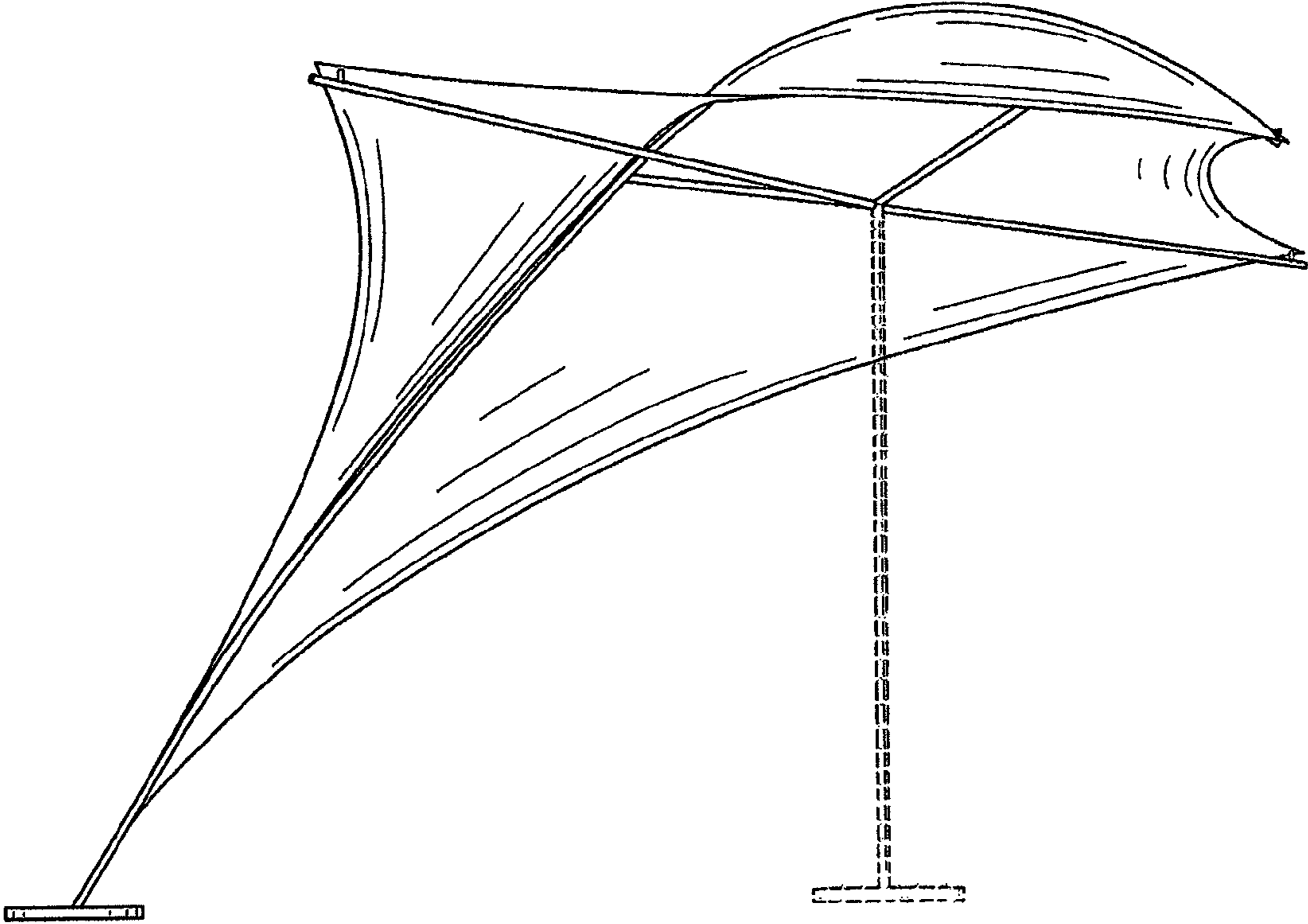


FIG. 1

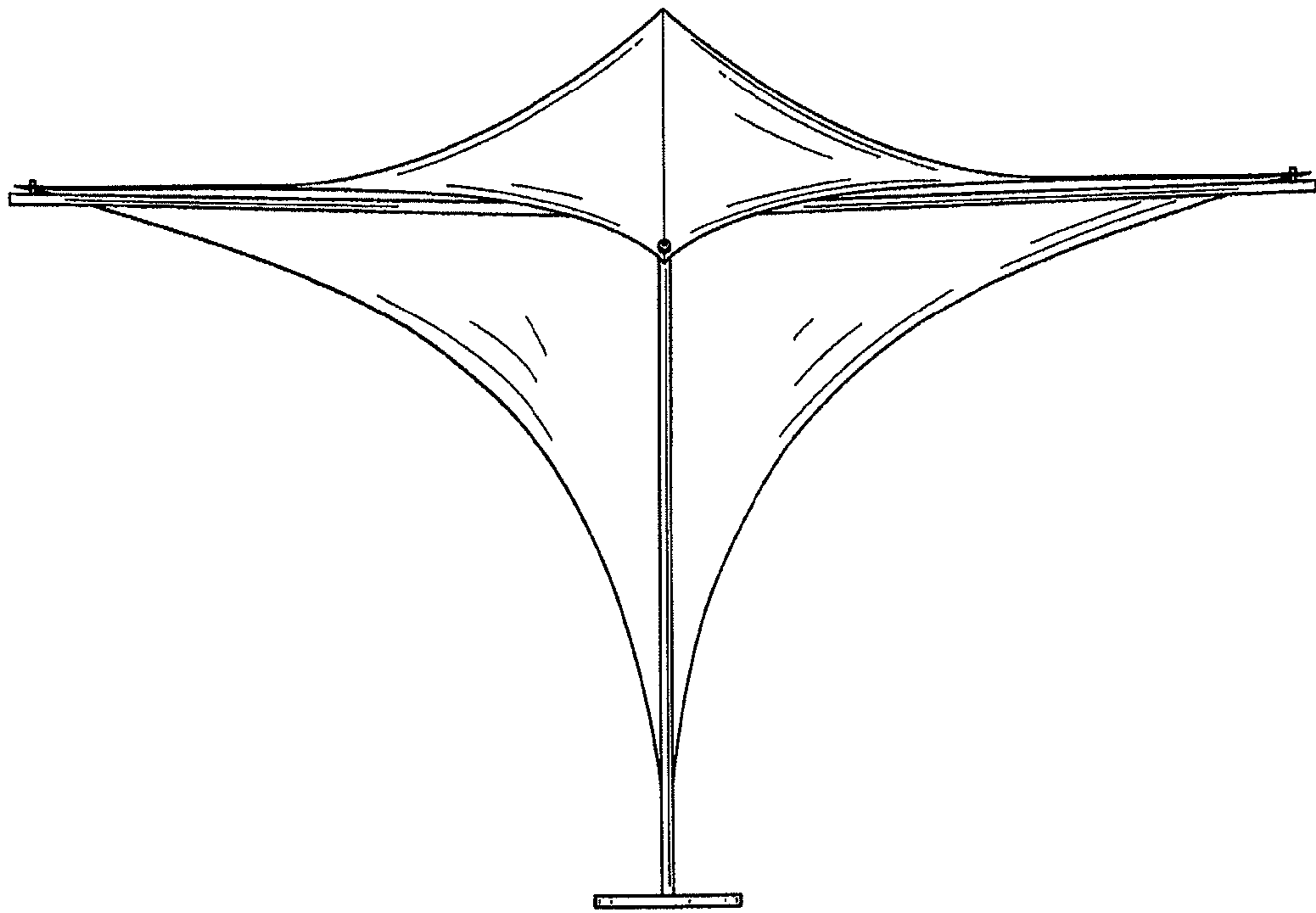


FIG. 2

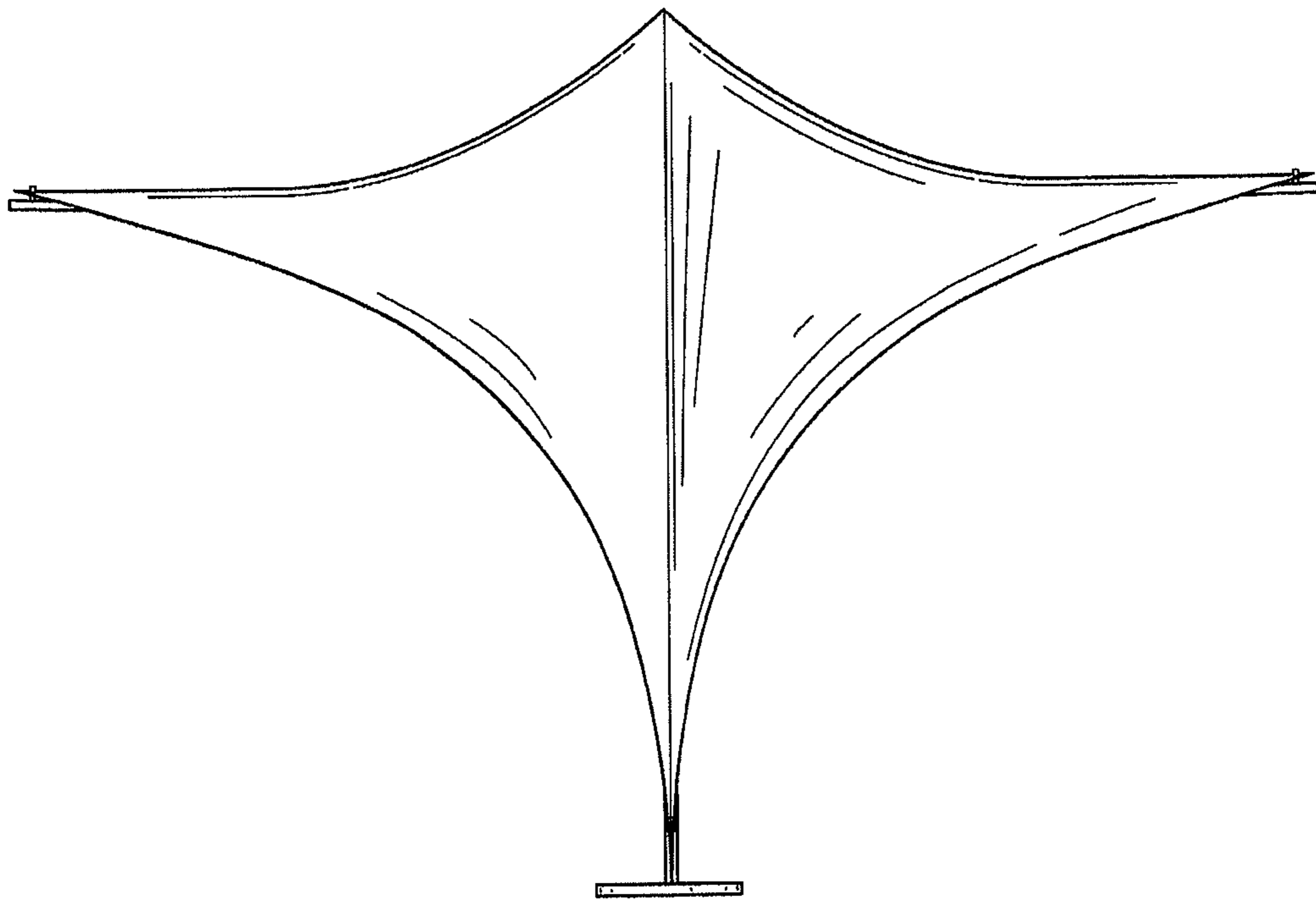


FIG. 3

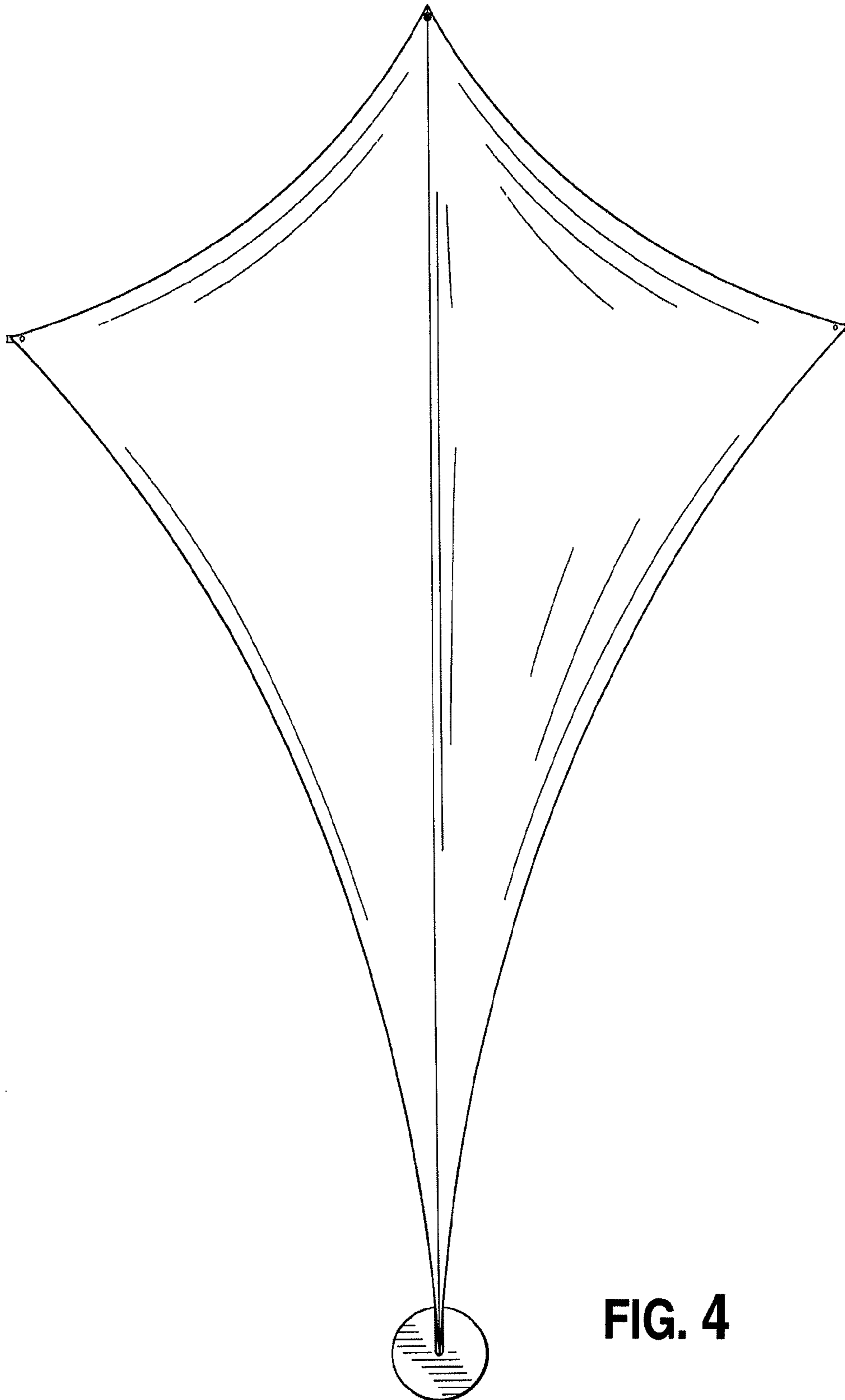


FIG. 4

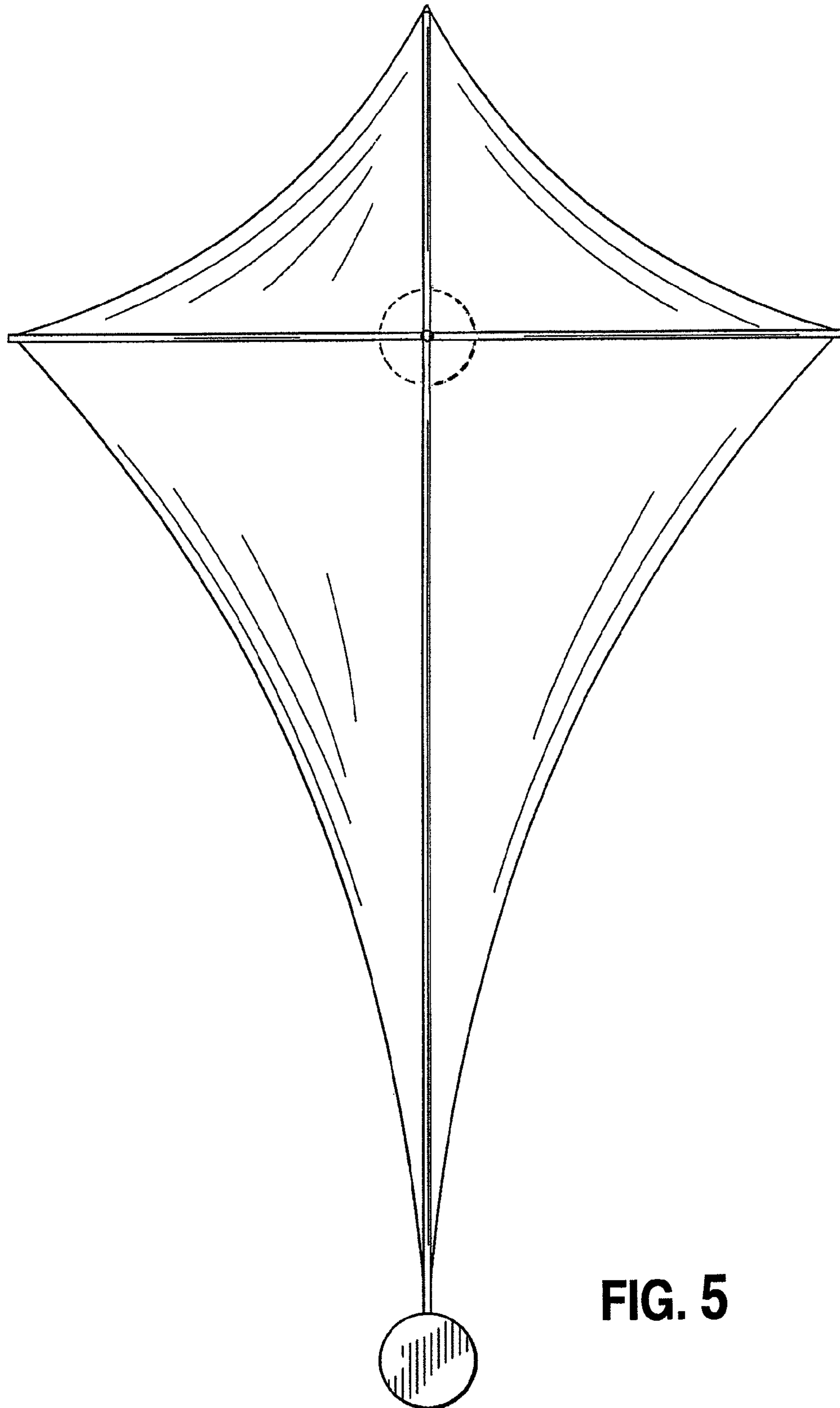


FIG. 5

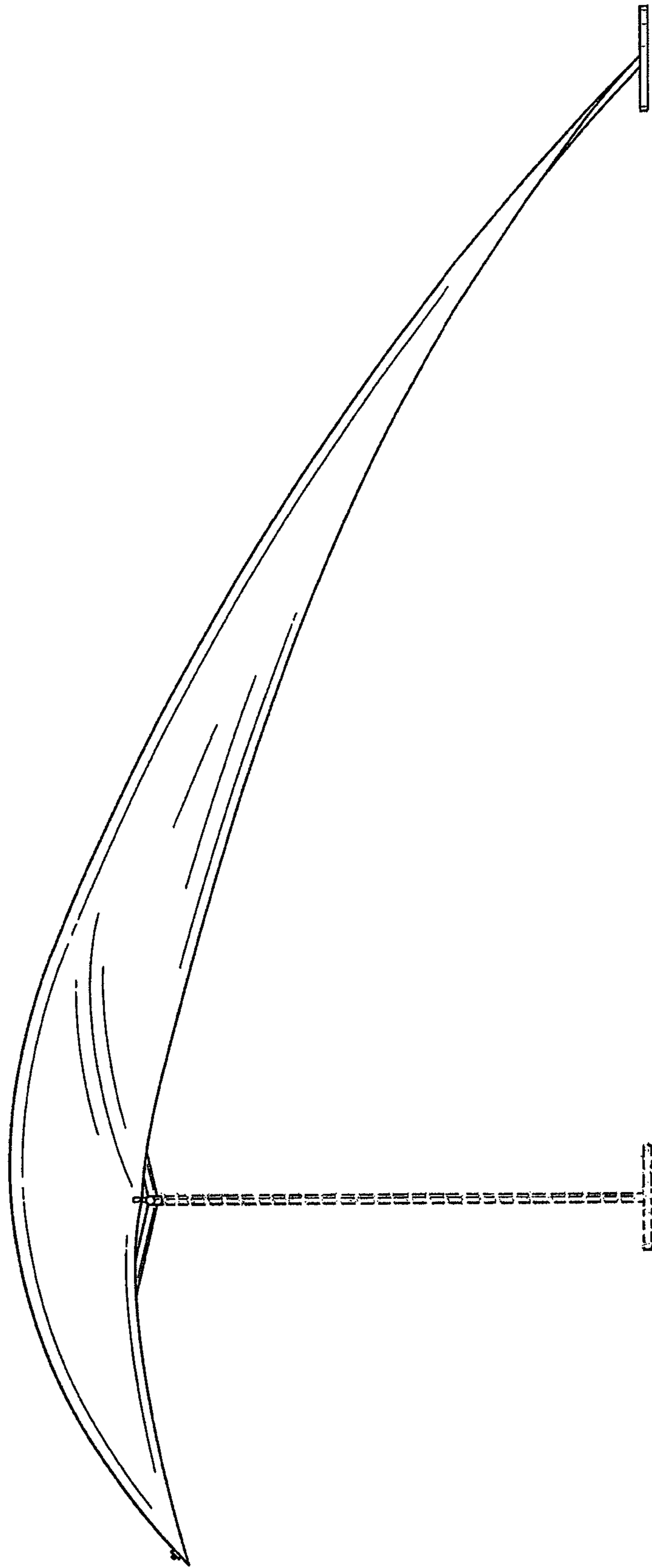


FIG. 6

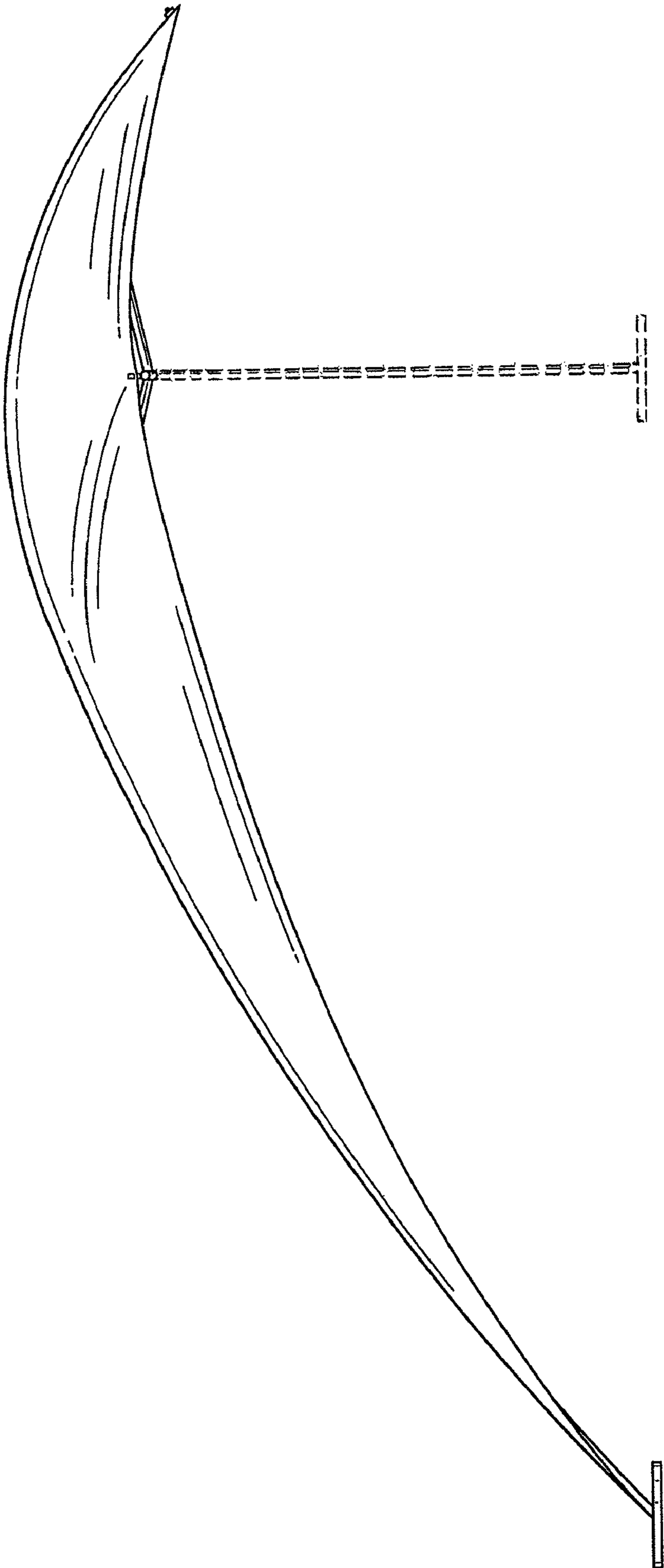


FIG. 7