



US00D628710S

(12) **United States Design Patent**
Stevens et al.

(10) **Patent No.:** **US D628,710 S**
(45) **Date of Patent:** **** Dec. 7, 2010**

(54) **HEATING MODULE FOR A CONTACT LENS WARMING APPARATUS**

D498,590 S 11/2004 Borovsky
D512,565 S 12/2005 Sasso
D575,955 S 9/2008 Maraia et al.

(75) Inventors: **Dale Stevens**, Spence (AU); **Blake Stevens**, Palmerston (AU)

(Continued)

(73) Assignee: **Qirx Pty Ltd**, Mitchell Australian Capital Territory (AU)

FOREIGN PATENT DOCUMENTS

EP 0021828 A2 1/1981

(**) Term: **14 Years**

(Continued)

(21) Appl. No.: **29/328,602**

OTHER PUBLICATIONS

(22) Filed: **Nov. 26, 2008**

Increased Corneal Temperature Caused by MR Imaging of the Eye with a Dedicated Local Coil, Drs. Shellock and Schatz, Radiology 1992; 185:697-699.

(30) **Foreign Application Priority Data**

(Continued)

May 27, 2008 (AU) 12550/2008

Primary Examiner—T. Chase Nelson

(51) **LOC (9) Cl.** **24-01**

Assistant Examiner—Anhdao Doan

(52) **U.S. Cl.** **D24/218**

(74) *Attorney, Agent, or Firm*—Seyfarth Shaw LLP

(58) **Field of Classification Search** D24/216–218;
D3/263, 264; 422/24, 26, 27, 307; 206/207,
206/209, 5.1; 250/455.11; 219/521

(57) **CLAIM**

See application file for complete search history.

The ornamental design for a heating module for a contact lens warming apparatus, as shown and described.

(56) **References Cited**

DESCRIPTION

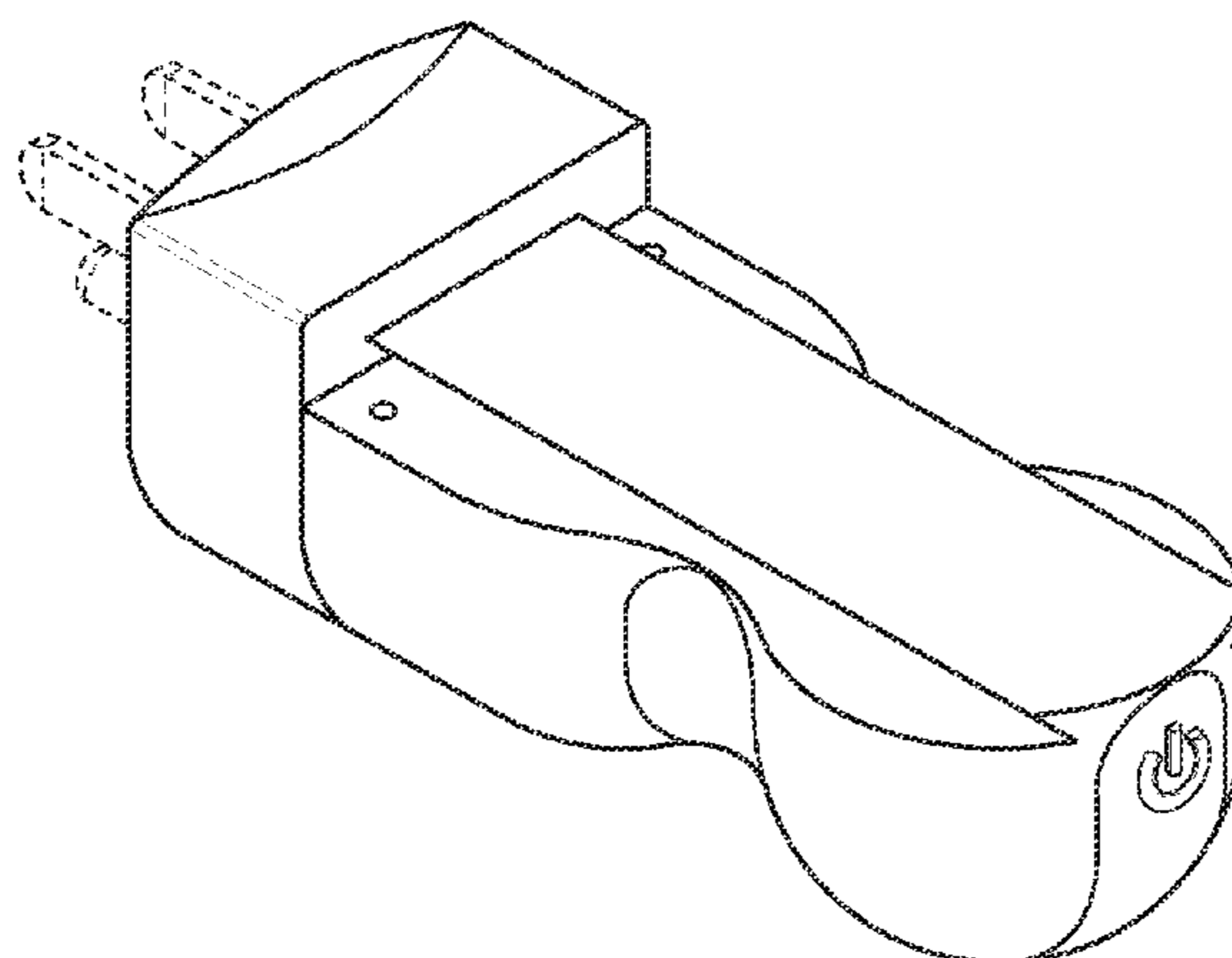
U.S. PATENT DOCUMENTS

- 4,044,226 A 8/1977 Kadlecik et al.
- 4,307,289 A 12/1981 Thomas et al.
- 4,329,568 A 5/1982 Rocher et al.
- 4,341,948 A 7/1982 Sundstrom et al.
- 4,369,355 A 1/1983 Helixon
- 4,472,623 A 9/1984 Futter
- 4,529,868 A 7/1985 Bowen et al.
- D281,812 S * 12/1985 Franczak et al. D24/218
- D282,576 S * 2/1986 Hoogesteger D24/218
- D285,744 S 9/1986 Vinot
- D289,923 S * 5/1987 Hoogesteger D24/218
- 4,701,597 A * 10/1987 Braun et al. 219/521
- 4,743,738 A 5/1988 Ryder et al.
- 4,858,754 A 8/1989 Wright et al.
- D320,278 S * 9/1991 Ryder et al. D24/218
- 5,126,538 A * 6/1992 Kanner et al. 219/521
- 5,452,792 A 9/1995 Zutke et al.
- 6,318,548 B1 11/2001 Travis

FIG. 1 is a top plan view of a heating module for a contact lens warming apparatus showing our new design;
 FIG. 2 is a rear elevational view thereof.
 FIG. 3 is a right-side elevational view thereof;
 FIG. 4 is a front elevational view thereof
 FIG. 5 is a left-side elevational view thereof;
 FIG. 6 is a bottom plan view thereof;
 FIG. 7 is a front perspective view thereof; and,
 FIG. 8 is a rear perspective view thereof.

The broken lines in the drawing views are included for the purposes of illustrating portions of the heating module for a contact lens warming apparatus that form no part of the claimed design.

1 Claim, 2 Drawing Sheets



US D628,710 S

Page 2

U.S. PATENT DOCUMENTS

2007/0170075 A1 7/2007 Winters et al.
2007/0261970 A1 11/2007 Stull
2008/0272009 A1 11/2008 Coon

FOREIGN PATENT DOCUMENTS

JP 04073063 A2 3/1992

WO WO 2008/141365 A1 11/2008

OTHER PUBLICATIONS

Laboratory Heating Plate by UVP; Jun. 26, 2006 07:40:10.
Deluxe Laboratory Heater/Hotplate from Online Science Mall Web
site.

* cited by examiner

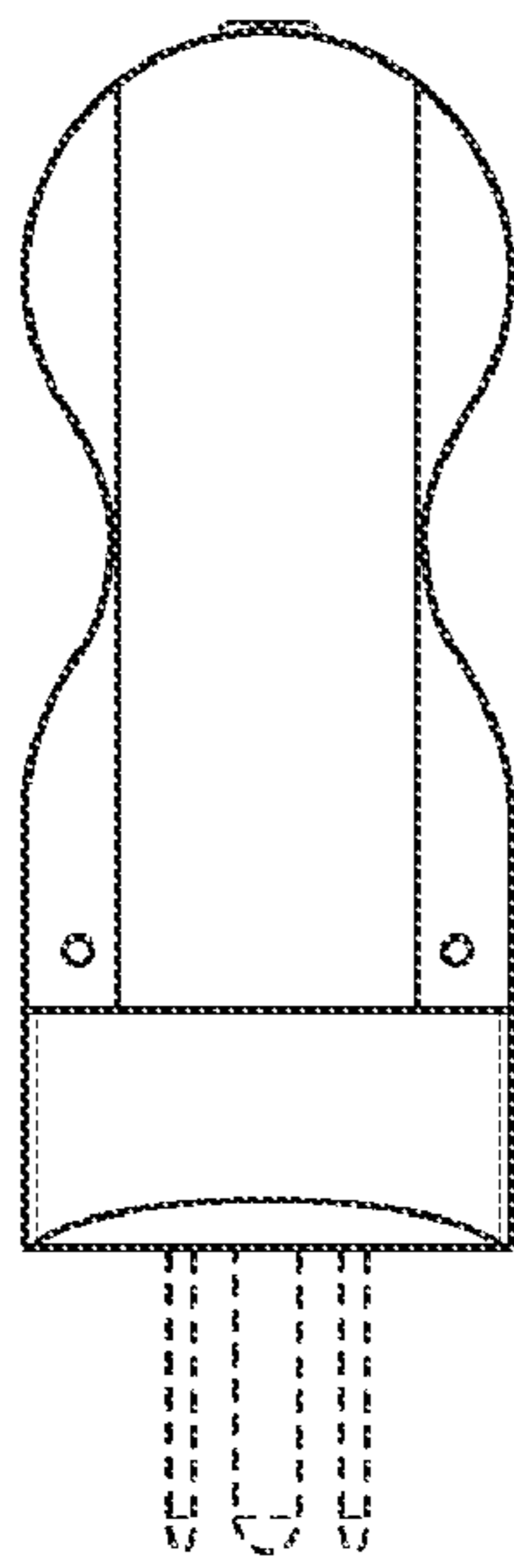


FIG. 1

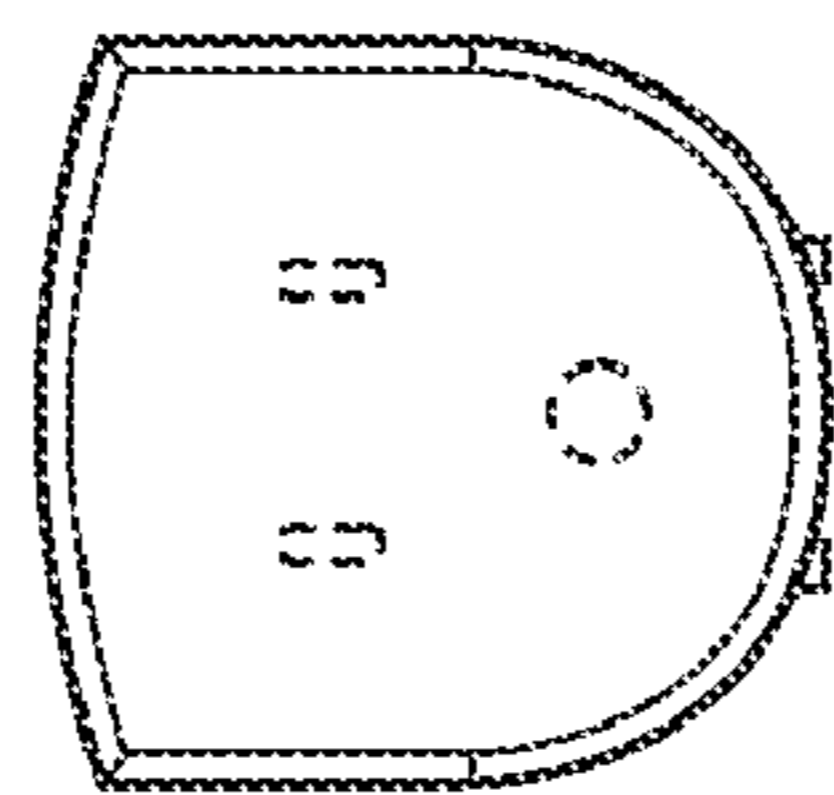


FIG. 2

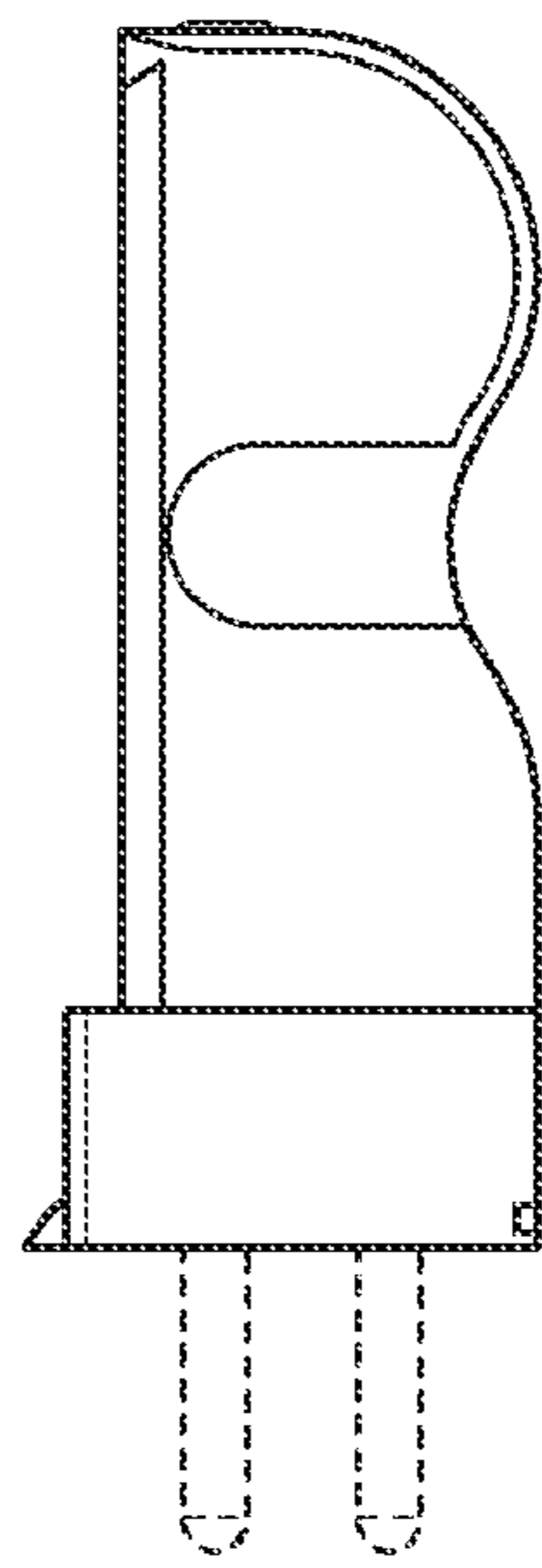


FIG. 3

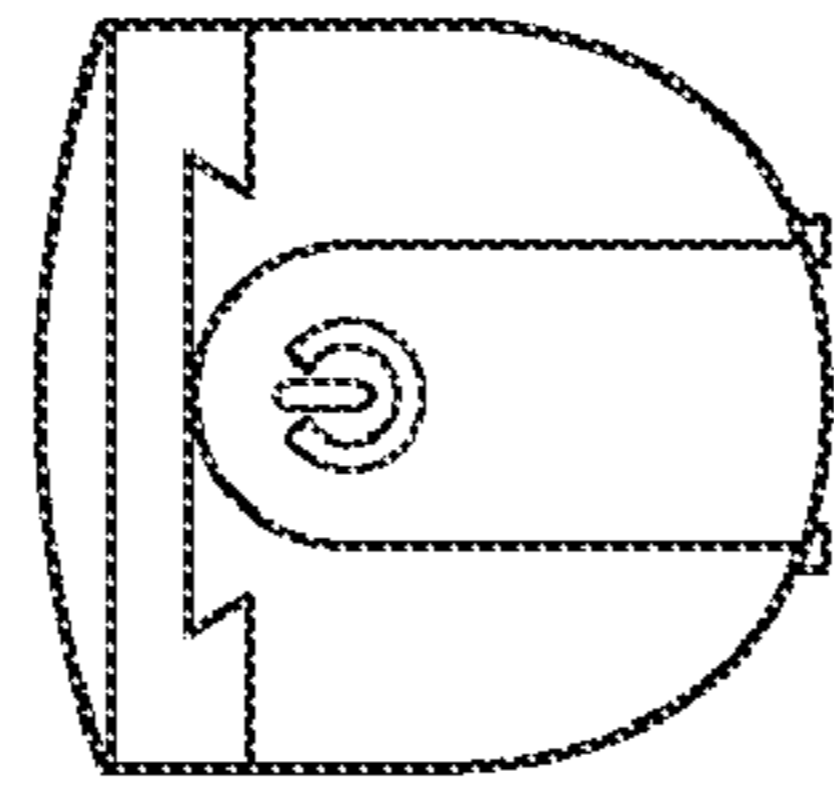


FIG. 4

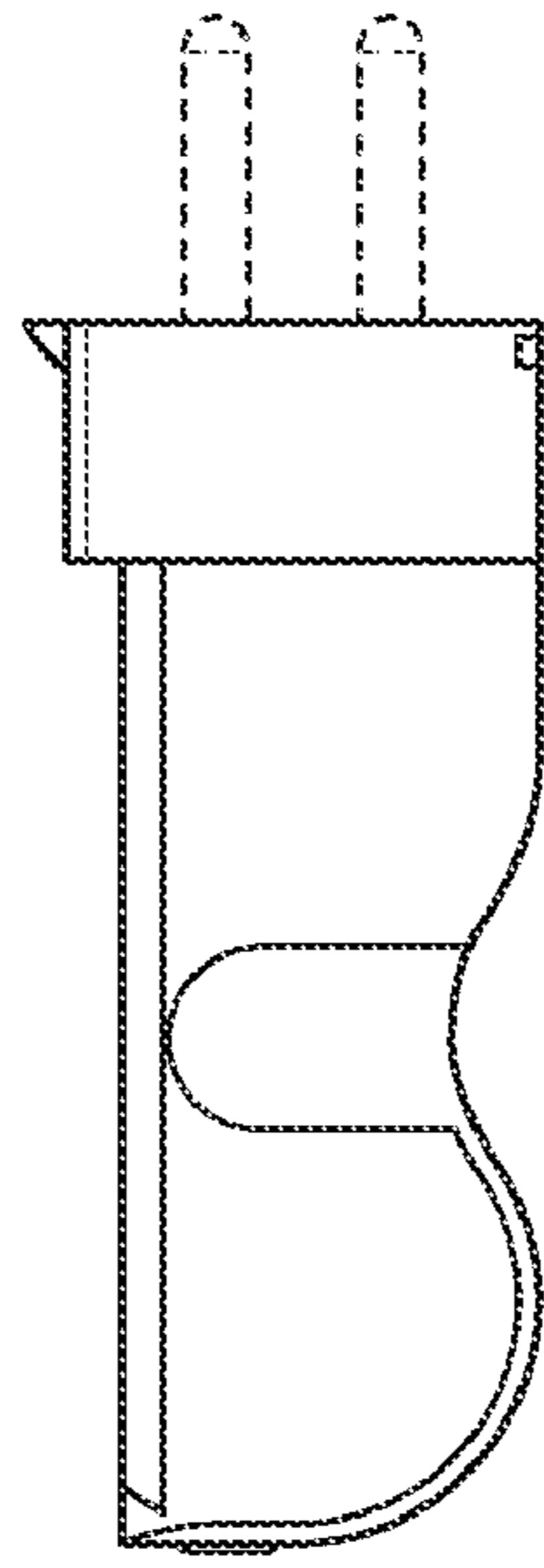


FIG. 5

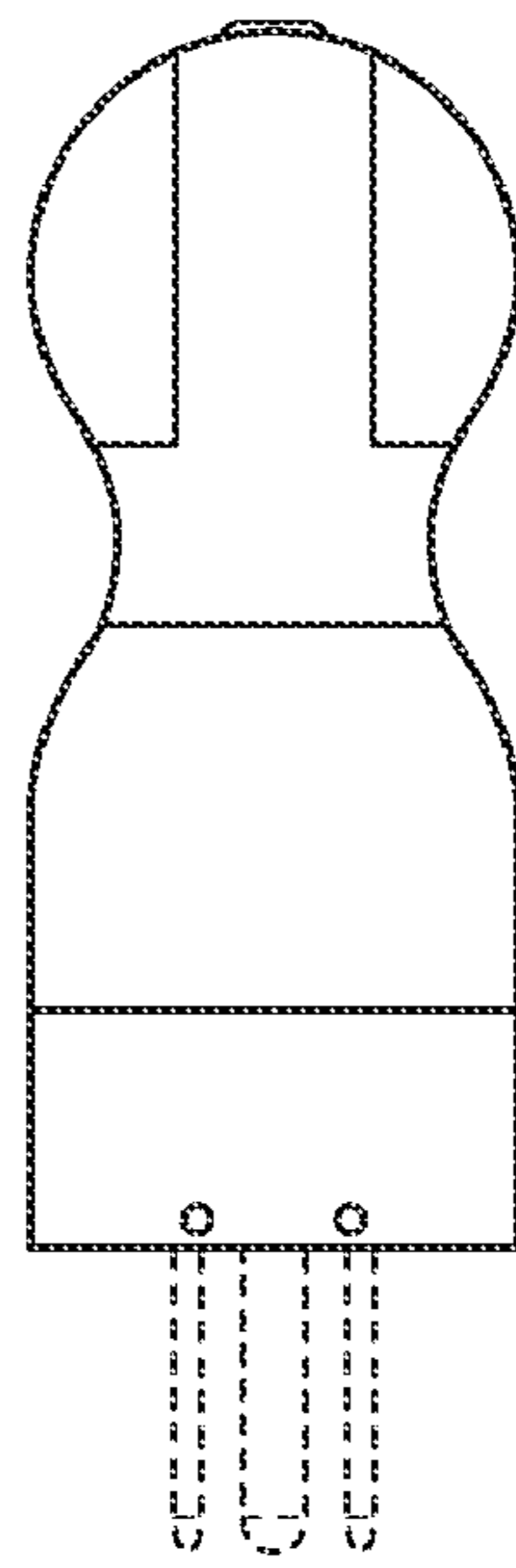


FIG. 6

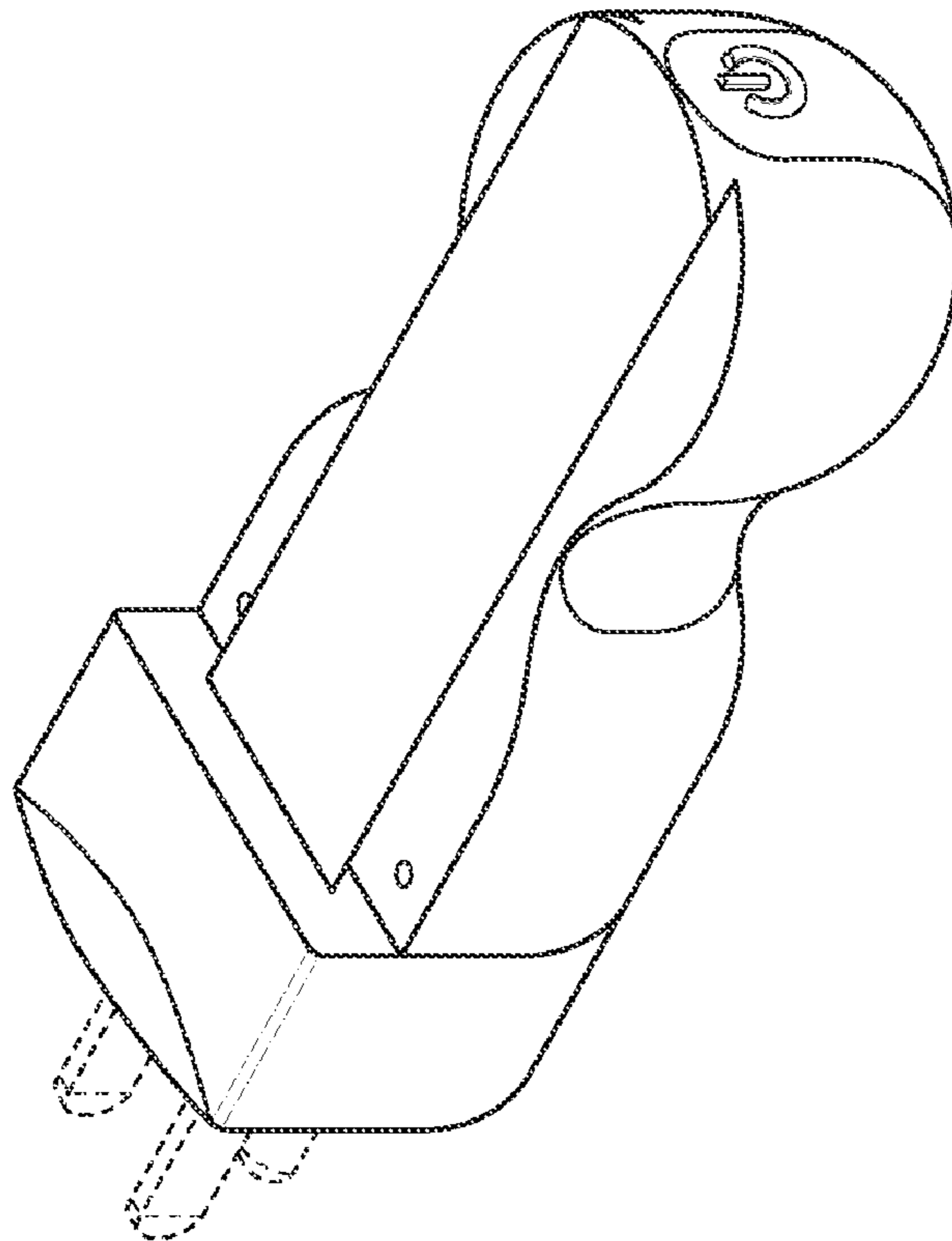


FIG. 7

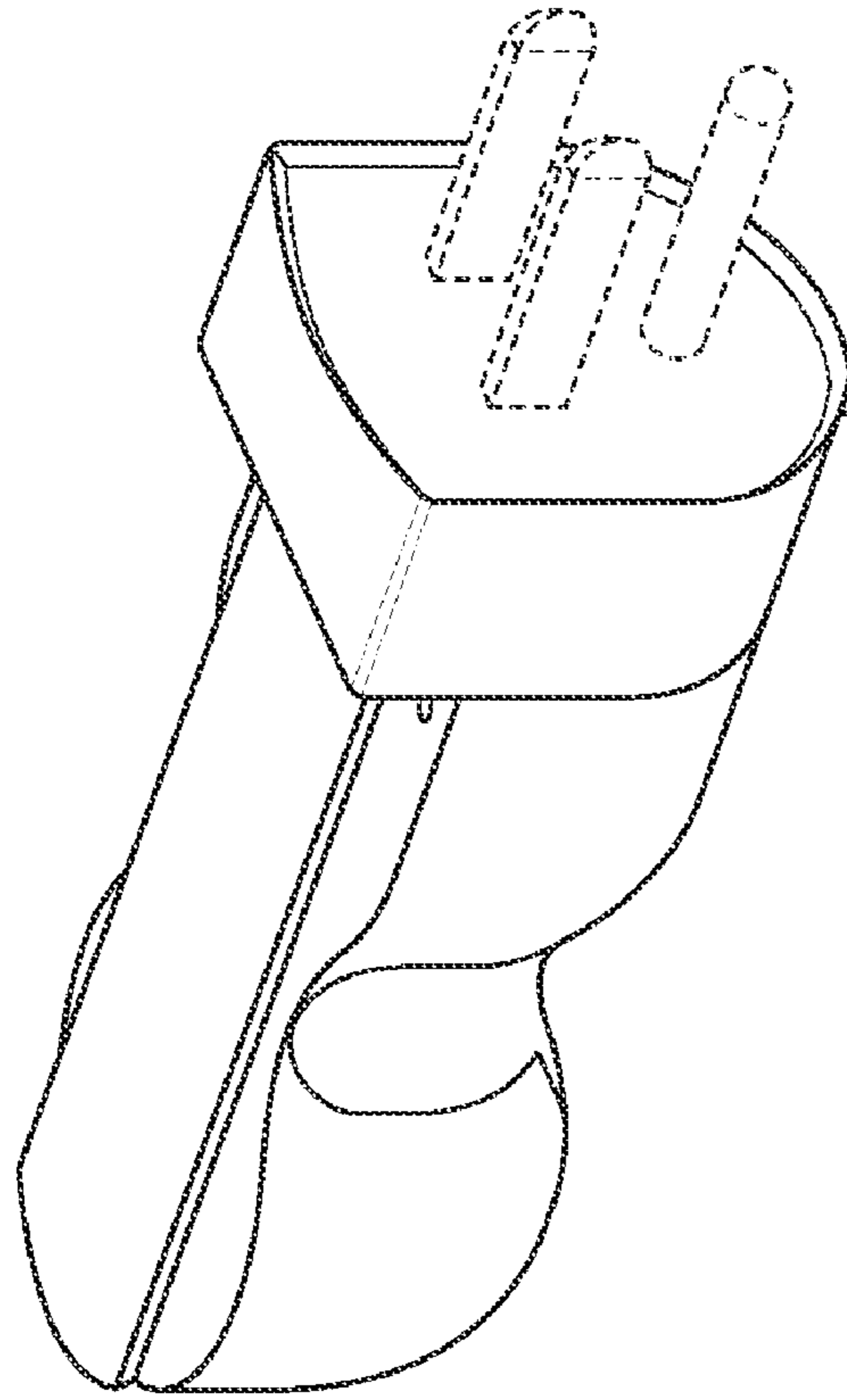


FIG. 8