



US00D628708S

(12) **United States Design Patent**
Anderson

(10) **Patent No.:** **US D628,708 S**

(45) **Date of Patent:** **** Dec. 7, 2010**

(54) **CULTURE SWAB**

(76) Inventor: **Mark L. Anderson**, 303 S. McKay Ave.,
Spring Valley, WI (US) 54767

(**) Term: **14 Years**

(21) Appl. No.: **29/358,196**

(22) Filed: **Mar. 24, 2010**

Related U.S. Application Data

(62) Division of application No. 29/331,554, filed on Jan. 28, 2009, now Pat. No. Des. 614,292, which is a division of application No. 29/263,602, filed on Jul. 26, 2006, now Pat. No. Des. 585,998.

(51) **LOC (9) Cl.** **24-01**

(52) **U.S. Cl.** **D24/216**

(58) **Field of Classification Search** D24/216,
D24/223, 108, 119, 121; 422/56, 58, 61,
422/63, 99, 102, 104

See application file for complete search history.

(56) **References Cited**

U.S. PATENT DOCUMENTS

4,600,008	A *	7/1986	Schmidt	600/569
4,707,450	A *	11/1987	Nason	600/572
4,770,853	A *	9/1988	Bernstein	422/58
D302,338	S *	7/1989	Philippi	D24/119
4,978,504	A *	12/1990	Nason	422/61
D322,484	S *	12/1991	Sakita	D24/216

D388,519	S *	12/1997	Skiffington et al.	D24/223
D407,499	S *	3/1999	Skiffington	D24/223
D421,302	S *	2/2000	Korteweg	D24/119
D545,430	S *	6/2007	Tsaur	D24/119
2005/0288606	A1 *	12/2005	Alter	600/572

* cited by examiner

Primary Examiner—T. Chase Nelson

Assistant Examiner—Anhdao Doan

(74) *Attorney, Agent, or Firm*—Skinner and Associates

(57) **CLAIM**

The ornamental design for a culture swab, as shown and described.

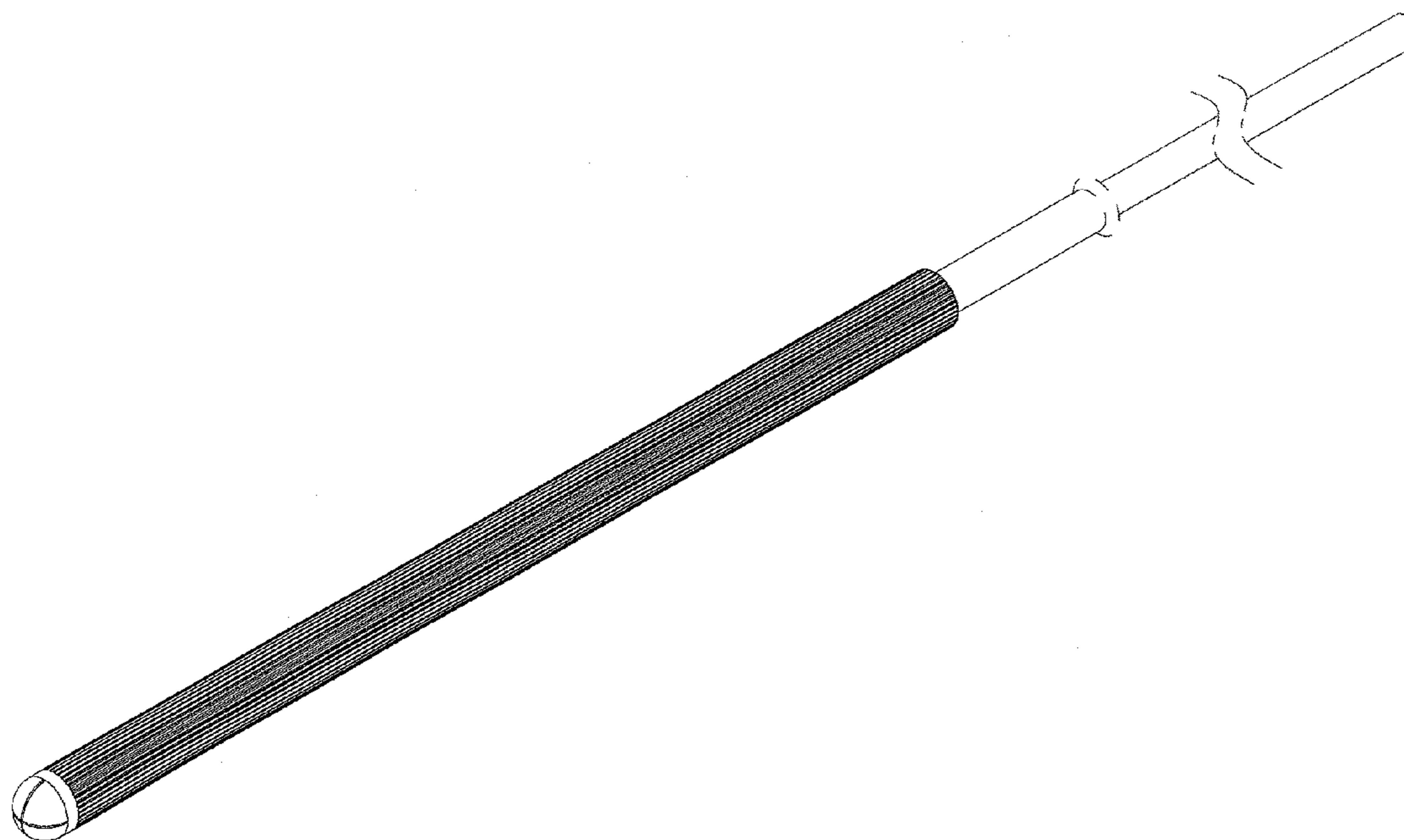
DESCRIPTION

The single view is a perspective view of a culture swab showing my new design.

In the drawing, the broken away portions represent that no particular length is claimed; the pattern of elongate lines on the surface of the tube represents the ribs and is understood to continuous uniformly throughout the surface; and the flange portion of the culture swab shown in broken lines forms no part of the claimed design.

The design is for a bullet tipped culture swab for use in veterinary medical procedures. The culture swab has a swab that is disposed within the culture swab and deployed during use.

1 Claim, 1 Drawing Sheet



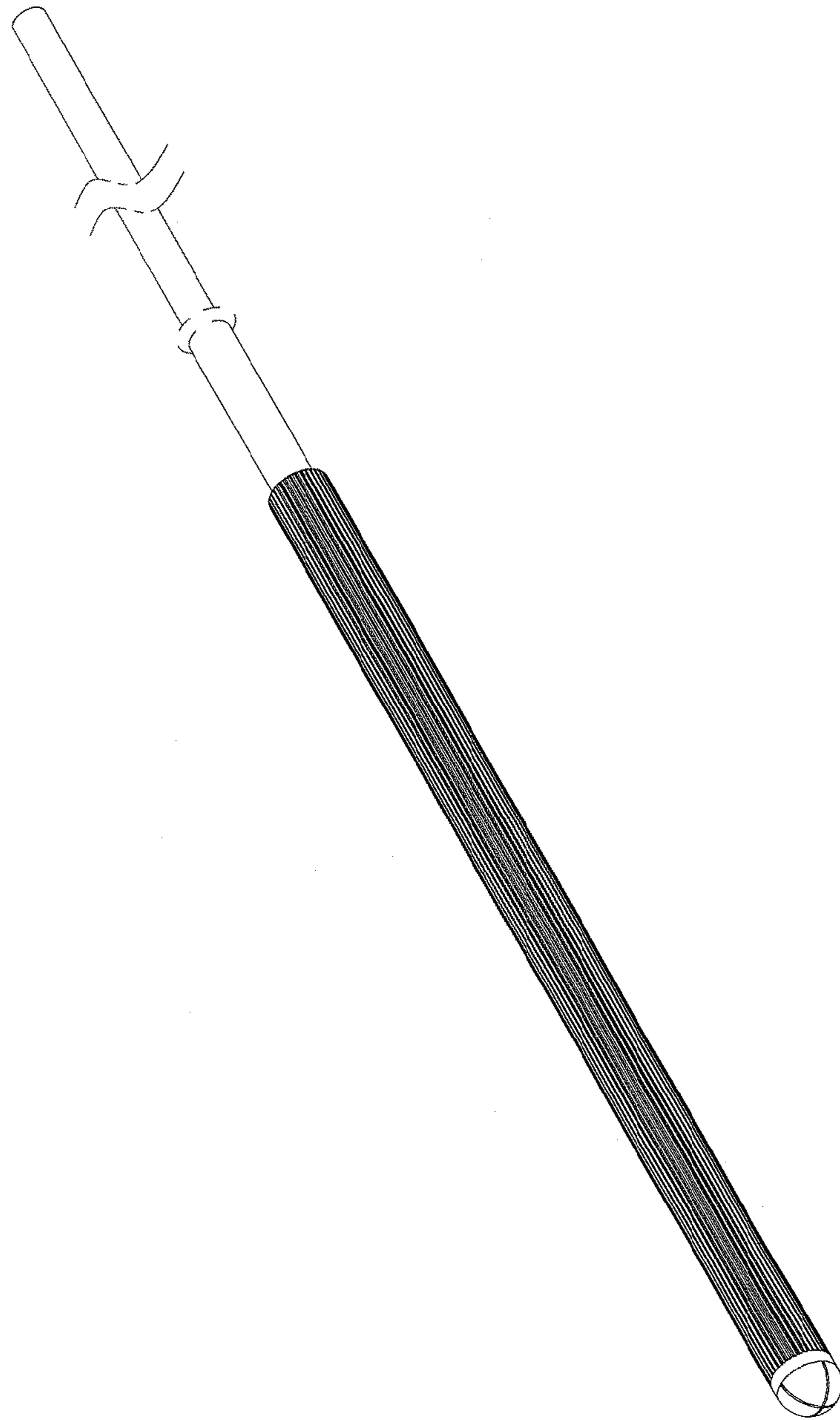


FIG. 1