



US00D628702S

(12) **United States Design Patent**
Fisher et al.

(10) **Patent No.:** **US D628,702 S**
(45) **Date of Patent:** **** Dec. 7, 2010**

(54) **PLUG-IN READY ELECTRONIC READER AND PARTS THEREOF**

(75) Inventors: **Stanley Fisher**, Durham, NC (US);
William Rathbun, Fuquay-Varina, NC (US)

(73) Assignee: **RadarFind Corporation**, Research Triangle Park, NC (US)

(**) Term: **14 Years**

(21) Appl. No.: **29/362,511**

(22) Filed: **May 26, 2010**

Related U.S. Application Data

(62) Division of application No. 29/299,194, filed on Dec. 20, 2007, now Pat. No. Des. 618,808.

(51) **LOC (9) Cl.** **23-01**

(52) **U.S. Cl.** **D24/186; D13/162**

(58) **Field of Classification Search** D24/185-186; D10/104, 106, 109, 40; D13/158, 162, 164, D13/165, 168, 170, 177; 340/573.4, 555-556, 340/600; 250/353, 349, 342, 370
See application file for complete search history.

(56) **References Cited**

U.S. PATENT DOCUMENTS

D309,890 S	8/1990	Cheng
D310,814 S	9/1990	Rosenbaum et al.
D399,495 S	10/1998	Bachschnid
6,049,281 A	4/2000	Osterweil
D435,523 S	12/2000	Ciornei et al.
D445,406 S	7/2001	Ciornei et al.
D455,406 S	4/2002	Pinchuk
D500,686 S	1/2005	Stekelenburg
D500,687 S	1/2005	Morrison et al.
D535,204 S	1/2007	Bender et al.
D567,950 S	4/2008	Savage

D590,352 S	4/2009	Jacoby et al.
D595,604 S	7/2009	Schmalz et al.
D596,140 S	7/2009	Hollner
D603,346 S	11/2009	Murray et al.
D608,302 S *	1/2010	Liu D13/164
D610,554 S	2/2010	Lanfear et al.
D611,005 S	3/2010	Lanfear et al.

* cited by examiner

Primary Examiner—T. Chase Nelson

Assistant Examiner—Mark Cavanna

(74) *Attorney, Agent, or Firm*—Myers Bigel Sibley & Sajovec, P.A.

(57) **CLAIM**

The ornamental design for a plug-in ready electronic reader and parts thereof, as shown and described.

DESCRIPTION

FIG. 1 is a front perspective view of the plug-in ready electronic reader showing our design;

FIG. 2 is a front view thereof;

FIG. 3 is a side view thereof;

FIG. 4 is an opposing side view of the side shown in FIG. 3;

FIG. 5 is a bottom end view thereof;

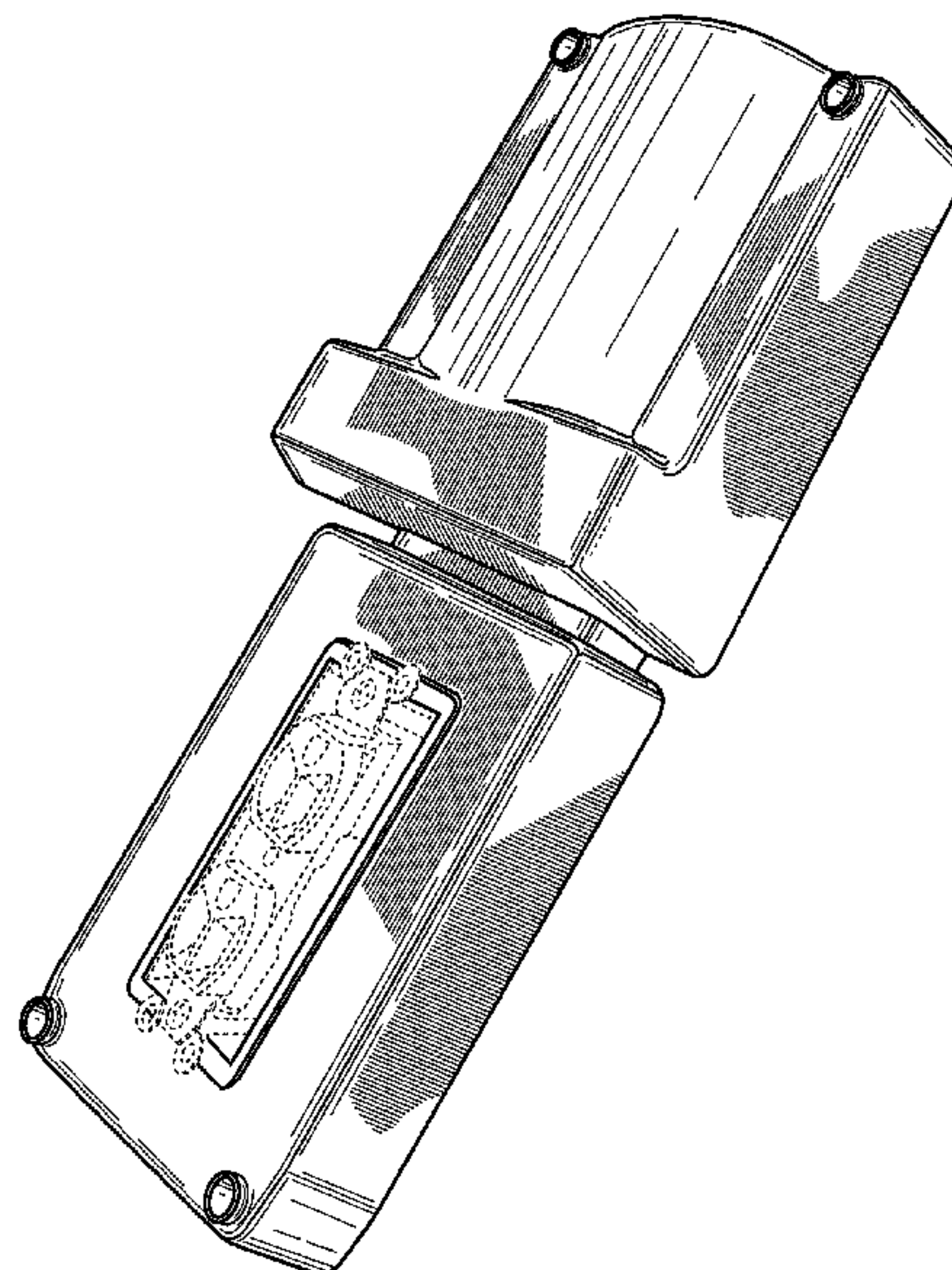
FIG. 6 is a top end view thereof; and,

FIG. 7 is a front perspective environmental view thereof illustrating the plug-in ready electronic reader in an exemplary clinical use environment.

The rear view is disclaimed in this embodiment.

The broken lines shown herein are for illustrative purposes only and form no part of the claimed design. The environmental view illustrates the plug-in ready electronic reader easily installed via direct plug in to a wall receptacle in a clinical environment.

1 Claim, 5 Drawing Sheets



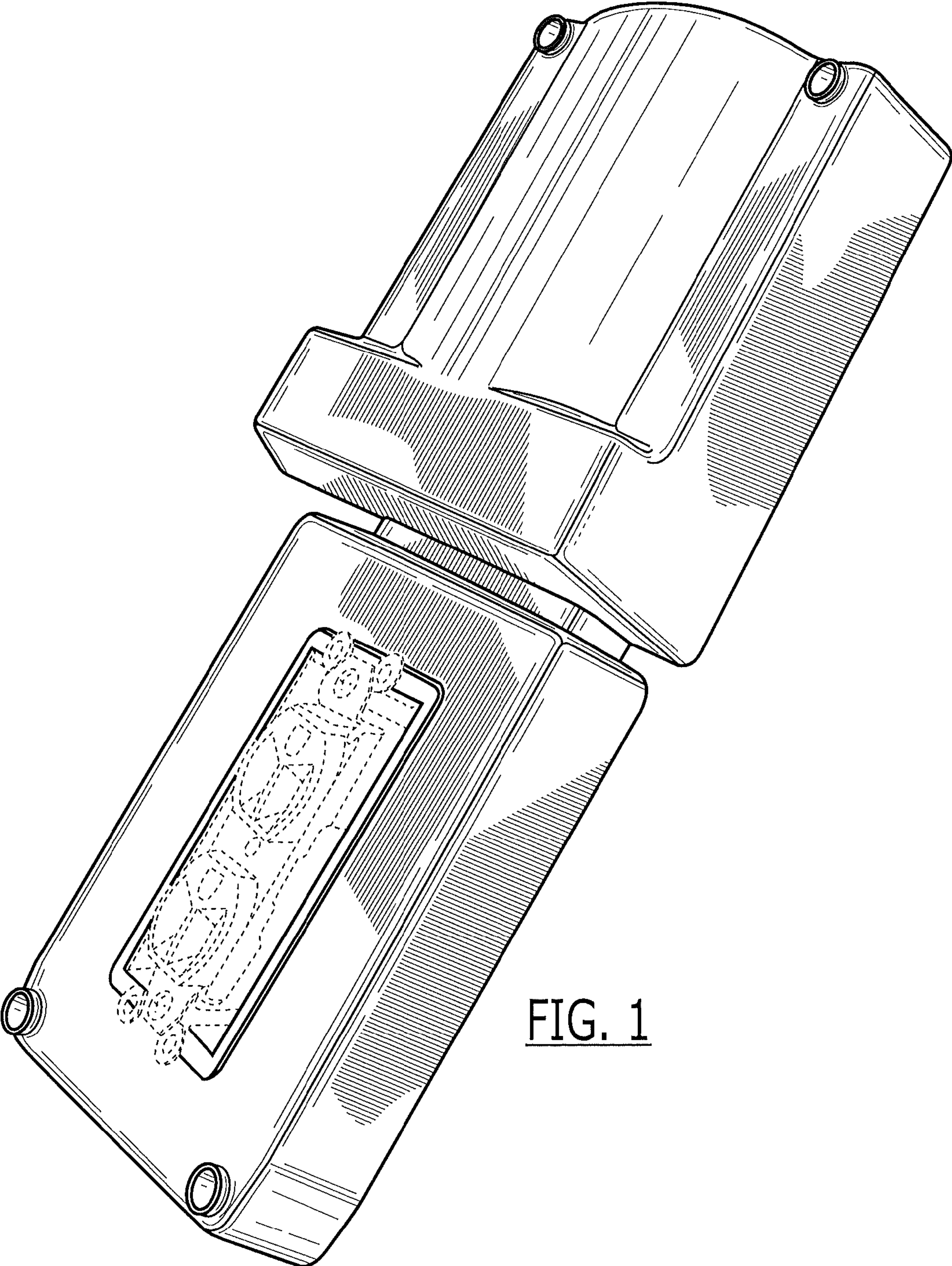


FIG. 1

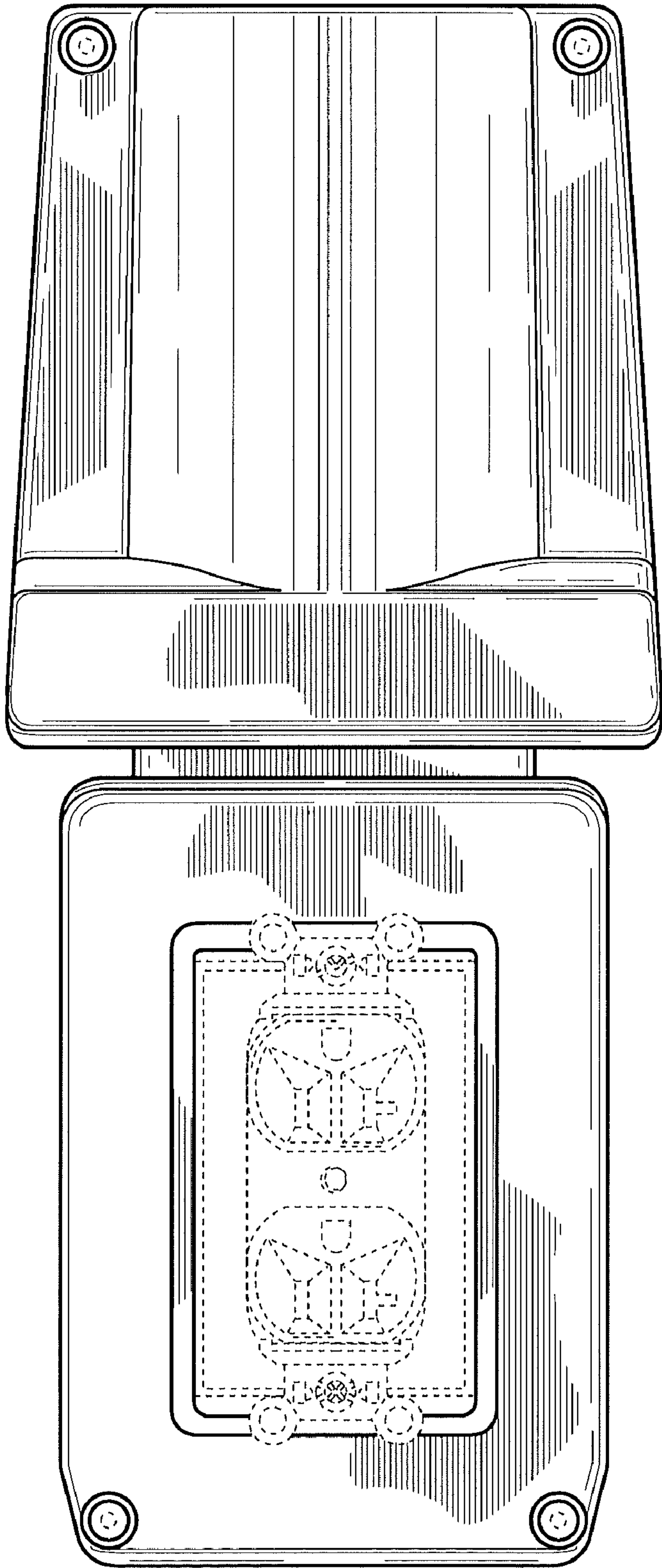


FIG. 2

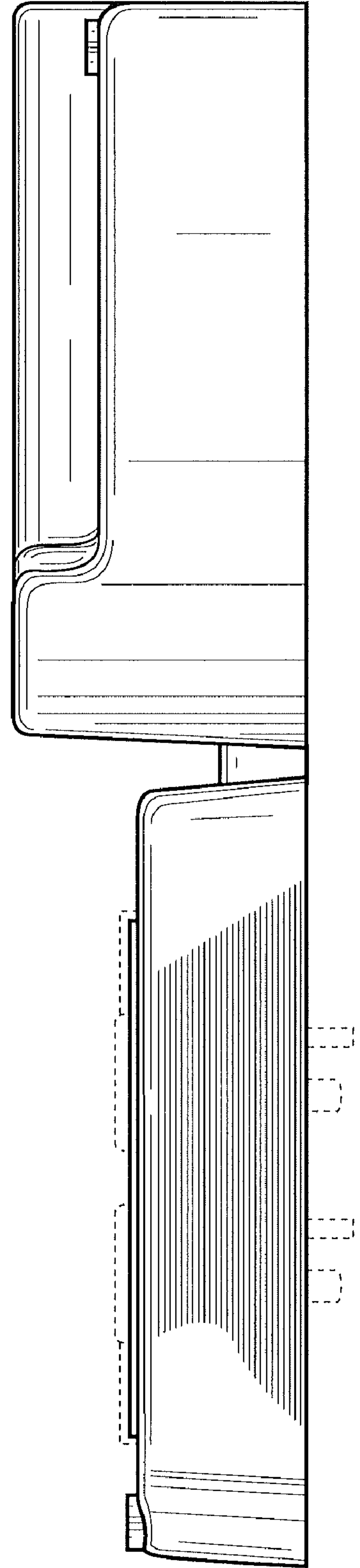


FIG. 3

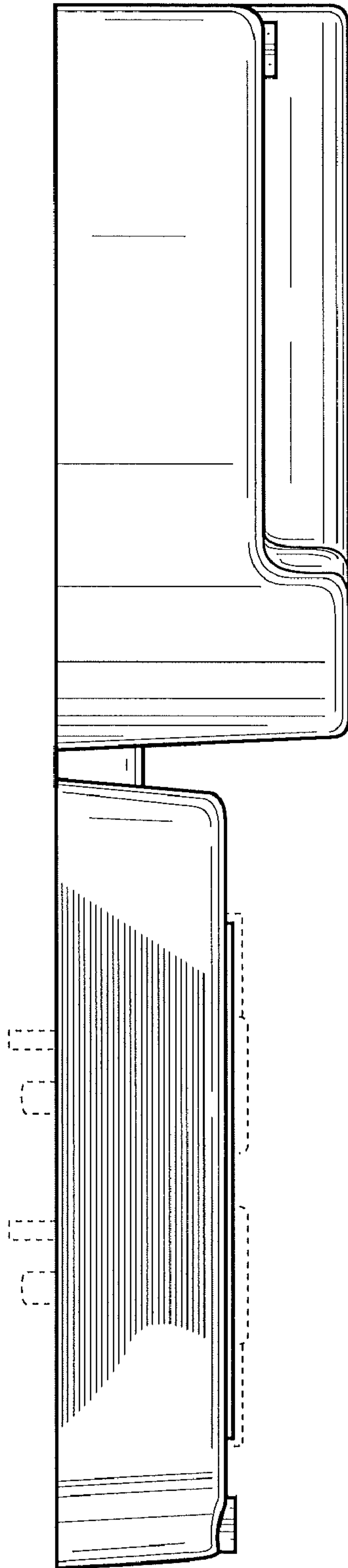


FIG. 4

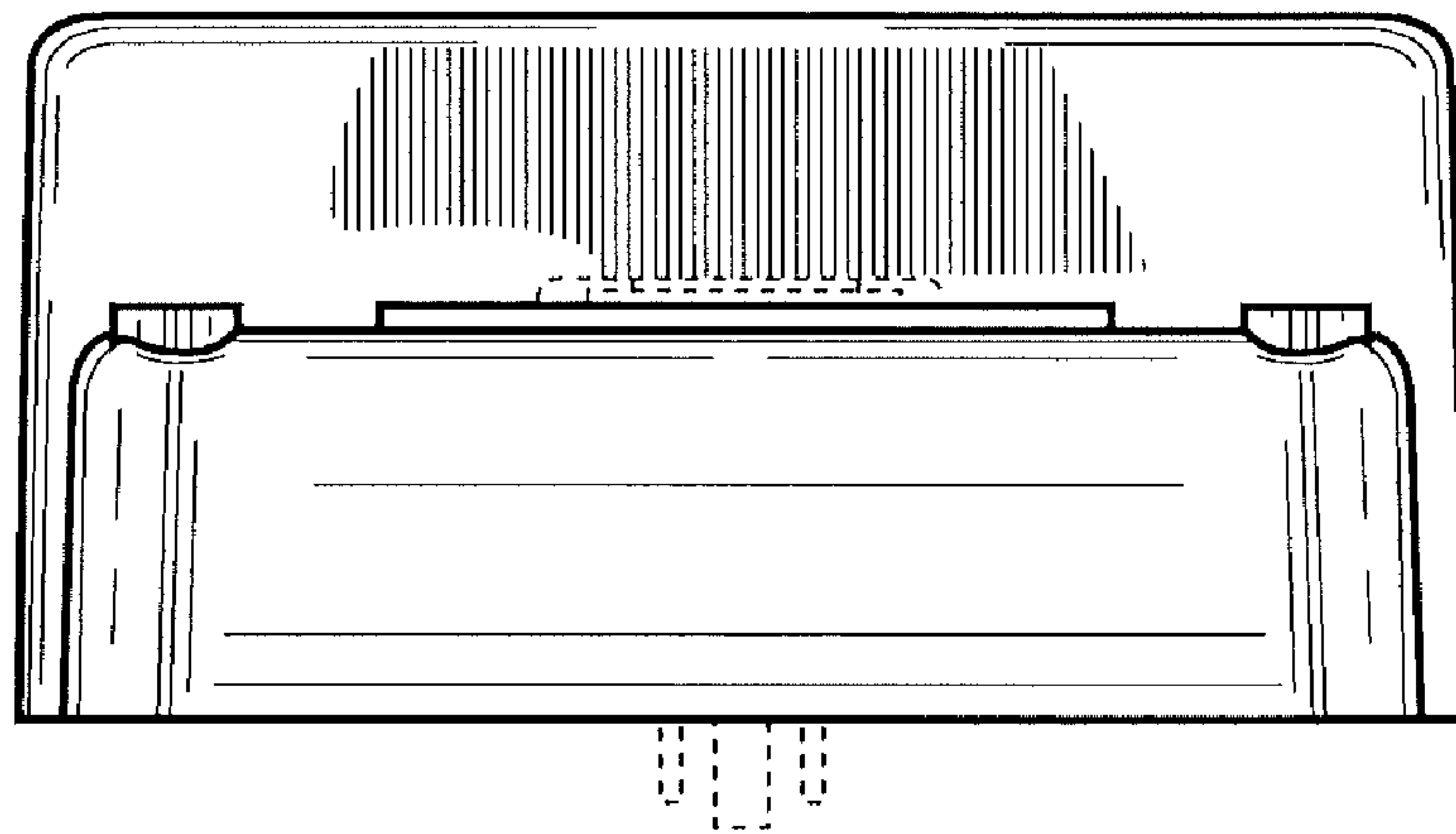


FIG. 5

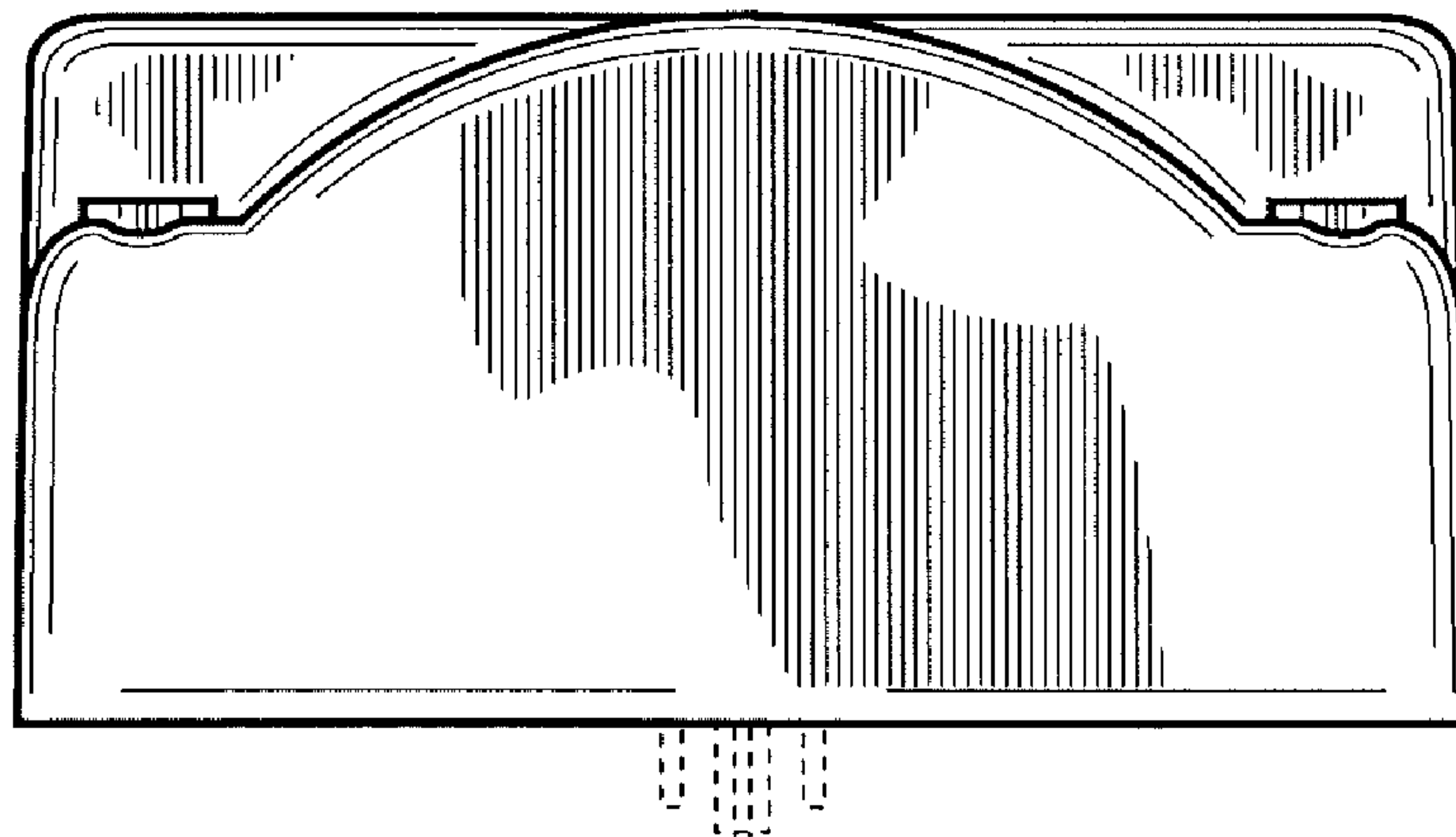


FIG. 6

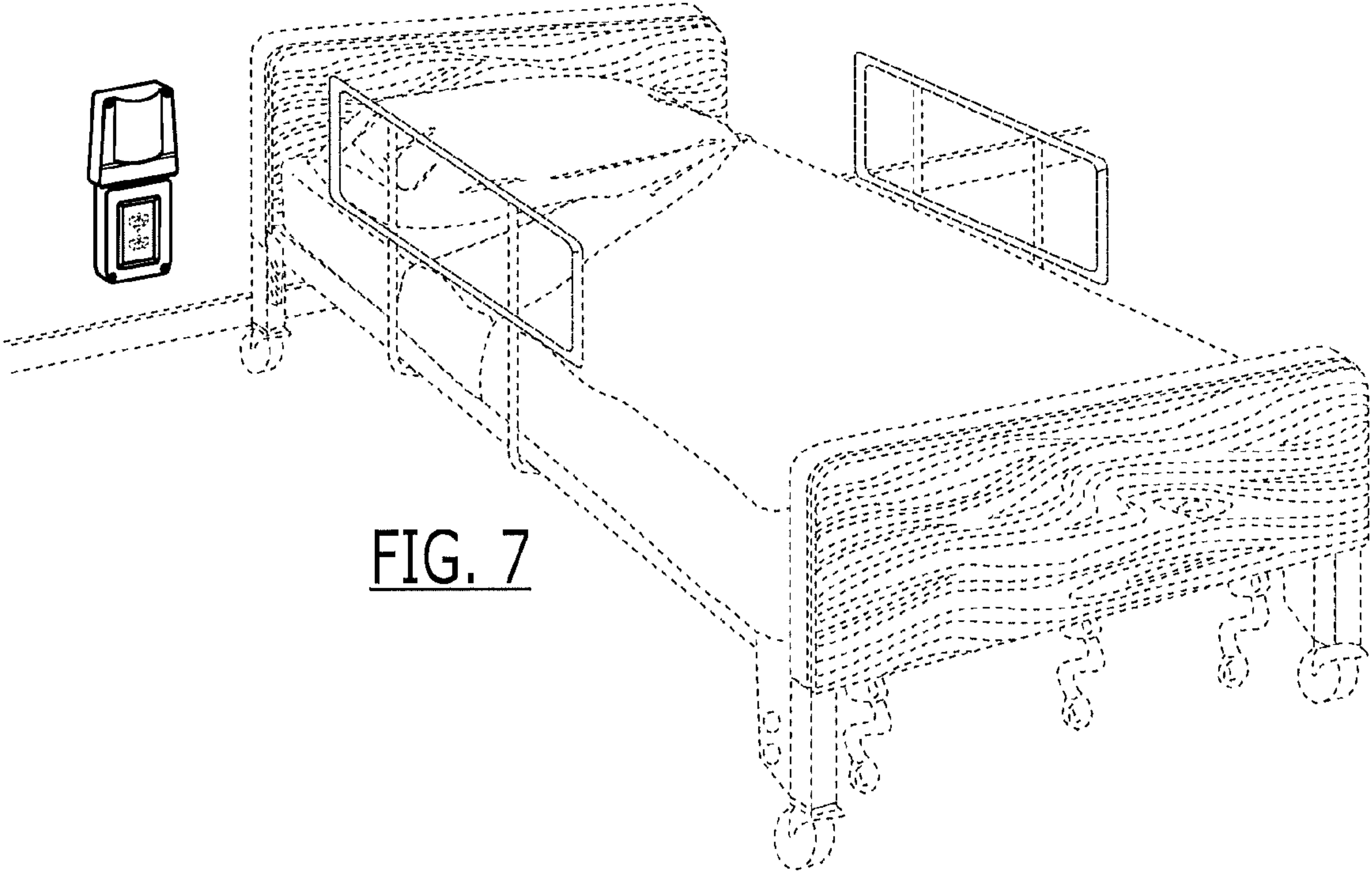


FIG. 7

UNITED STATES PATENT AND TRADEMARK OFFICE
CERTIFICATE OF CORRECTION

PATENT NO. : D628,702 S
APPLICATION NO. : 29/362511
DATED : December 7, 2010
INVENTOR(S) : Fisher et al.

Page 1 of 1

It is certified that error appears in the above-identified patent and that said Letters Patent is hereby corrected as shown below:

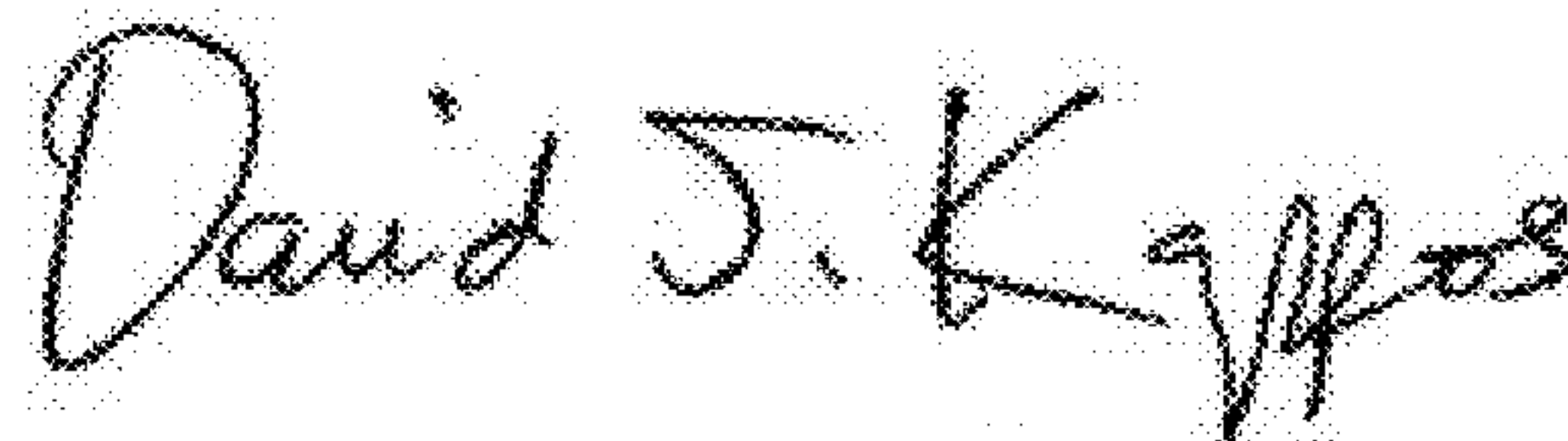
On the Face:

Item (56) References Cited: Please add

-- OTHER PUBLICATIONS

Three Photographs of a prior RadarFind product (not plug-in ready). For examination purposes, Applicants submit that the prior product was used in public, offered for sale or sold more than one year before the filing of December 20, 2007 (3 sheets). --

Signed and Sealed this
Fourteenth Day of June, 2011

A handwritten signature in black ink that reads "David J. Kappos". The signature is written in a cursive, slightly slanted style.

David J. Kappos
Director of the United States Patent and Trademark Office