



US00D628701S

(12) **United States Design Patent**
Nordgren et al.

(10) **Patent No.:** **US D628,701 S**

(45) **Date of Patent:** **** Dec. 7, 2010**

(54) **MEDICAL DEVICE**

(75) Inventors: **Peter Nordgren**, Stockholm (SE); **Stina Juhlin**, Gustavsberg (SE); **Magnus Olsson**, Stockholm (SE)

(73) Assignee: **Maquet Critical Care AB** (SE)

(**) Term: **14 Years**

(21) Appl. No.: **29/318,052**

(22) Filed: **May 12, 2008**

(30) **Foreign Application Priority Data**

Nov. 13, 2007 (EM) 000825658

(51) **LOC (9) Cl.** **24-01**

(52) **U.S. Cl.** **D24/185**

(58) **Field of Classification Search** D24/160,
D24/183-186, 231, 107, 177, 232, 234; D34/23;
5/601; 52/27, 36.4; 248/278.1; 312/209;
D23/271; 211/26; 600/102; 606/1

See application file for complete search history.

(56) **References Cited**

U.S. PATENT DOCUMENTS

2,386,092 A	10/1945	Cornish	
D194,033 S	11/1962	Graham et al.	
D198,232 S *	5/1964	Maier D24/172
D209,885 S	1/1968	Thomas et al.	
3,451,738 A	6/1969	Hobson	
4,053,193 A	10/1977	Grover et al.	
D252,820 S	9/1979	Olson	
4,475,322 A *	10/1984	Russo et al. 52/27
D287,624 S	1/1987	Landan et al.	
5,107,636 A *	4/1992	Schindele et al. 52/27
5,184,601 A *	2/1993	Putman 600/102
D361,379 S	8/1995	Sancoff et al.	
D384,415 S	9/1997	Maloney et al.	
5,878,536 A *	3/1999	Demmitt et al. 52/36.4
6,096,025 A *	8/2000	Borders 606/1
D434,502 S *	11/2000	Gallant D24/185
6,179,263 B1 *	1/2001	Rosen et al. 248/278.1
D452,911 S	1/2002	Danielsson	

D453,830 S	2/2002	McDowell et al.	
D472,636 S	4/2003	Haynes	
D486,915 S	2/2004	Warschewske et al.	
D517,768 S	3/2006	Arceta	
D532,953 S *	11/2006	Lauer et al. D34/23
D534,746 S	1/2007	Rossini et al.	
D556,972 S	12/2007	Whiteside et al.	
D570,068 S	5/2008	Dukes	
D576,373 S	9/2008	Whiteside et al.	
D594,622 S	6/2009	Kissun	
D600,873 S	9/2009	Banasik et al.	
D610,323 S	2/2010	Saladino	
2005/0151336 A1	7/2005	Neuman	
2006/0103092 A1	5/2006	Strahler et al.	
2009/0015116 A1 *	1/2009	Arceta et al. 312/209
2009/0070936 A1 *	3/2009	Henderson et al. 5/601
2010/0060114 A1	3/2010	Baird	

* cited by examiner

Primary Examiner—Mary Ann Calabrese

(74) *Attorney, Agent, or Firm*—Schwegman, Lundberg & Woessner, P.A.

(57) **CLAIM**

The ornamental design for a medical device, as shown and described.

DESCRIPTION

FIG. 1 is a front, top, left side perspective view of a medical device showing our new design;

FIG. 2 is a front view thereof;

FIG. 3 is a rear view thereof, with the broken lines being portions of the medical device that form no part of the claimed design;

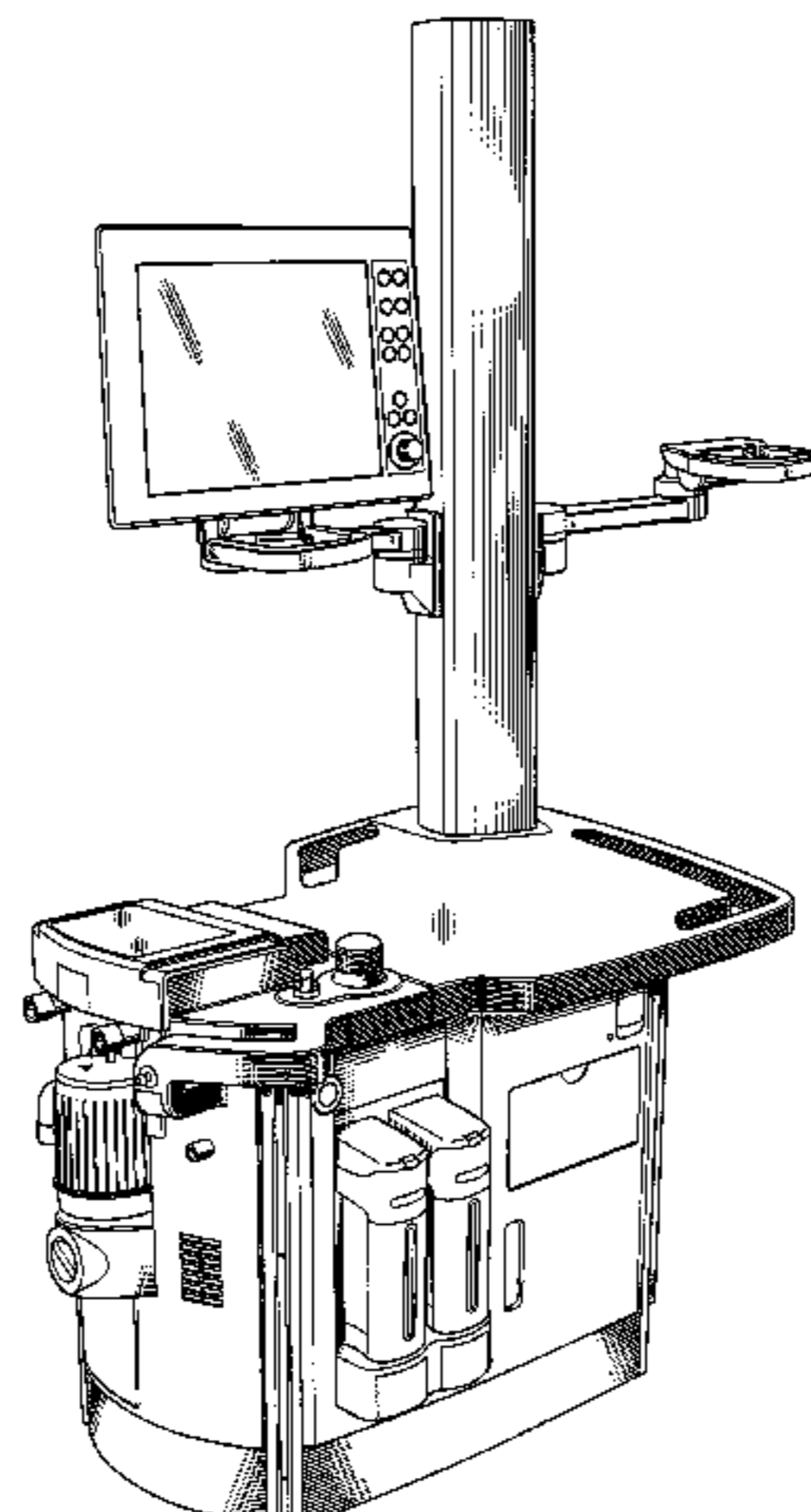
FIG. 4 is a left side view thereof;

FIG. 5 is a right side view thereof;

FIG. 6 is a top, plan view thereof; and,

FIG. 7 is a bottom, plan view thereof, with the broken lines being portions of the medical device that form no part of the claimed design.

1 Claim, 6 Drawing Sheets



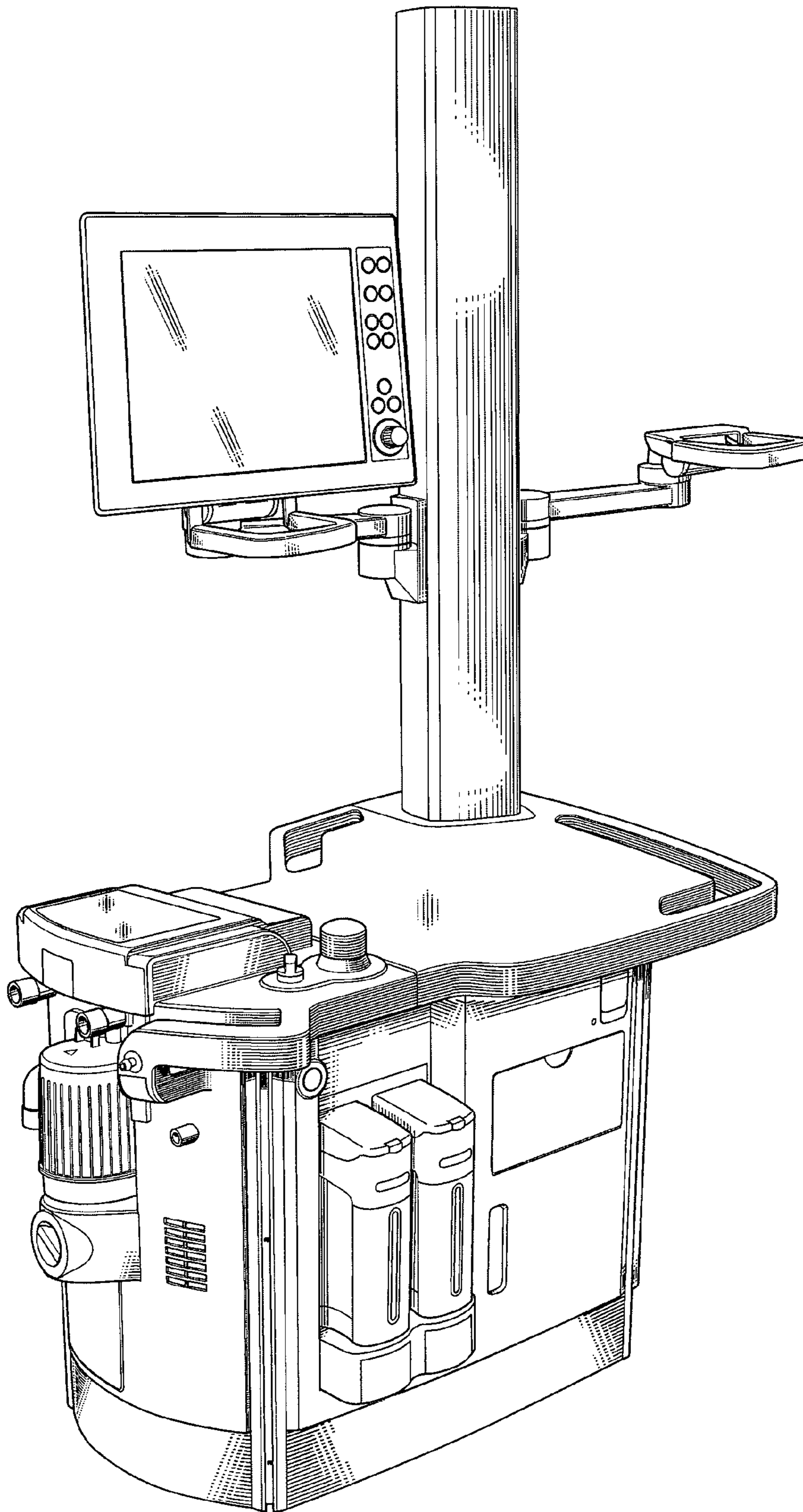


FIG. 1

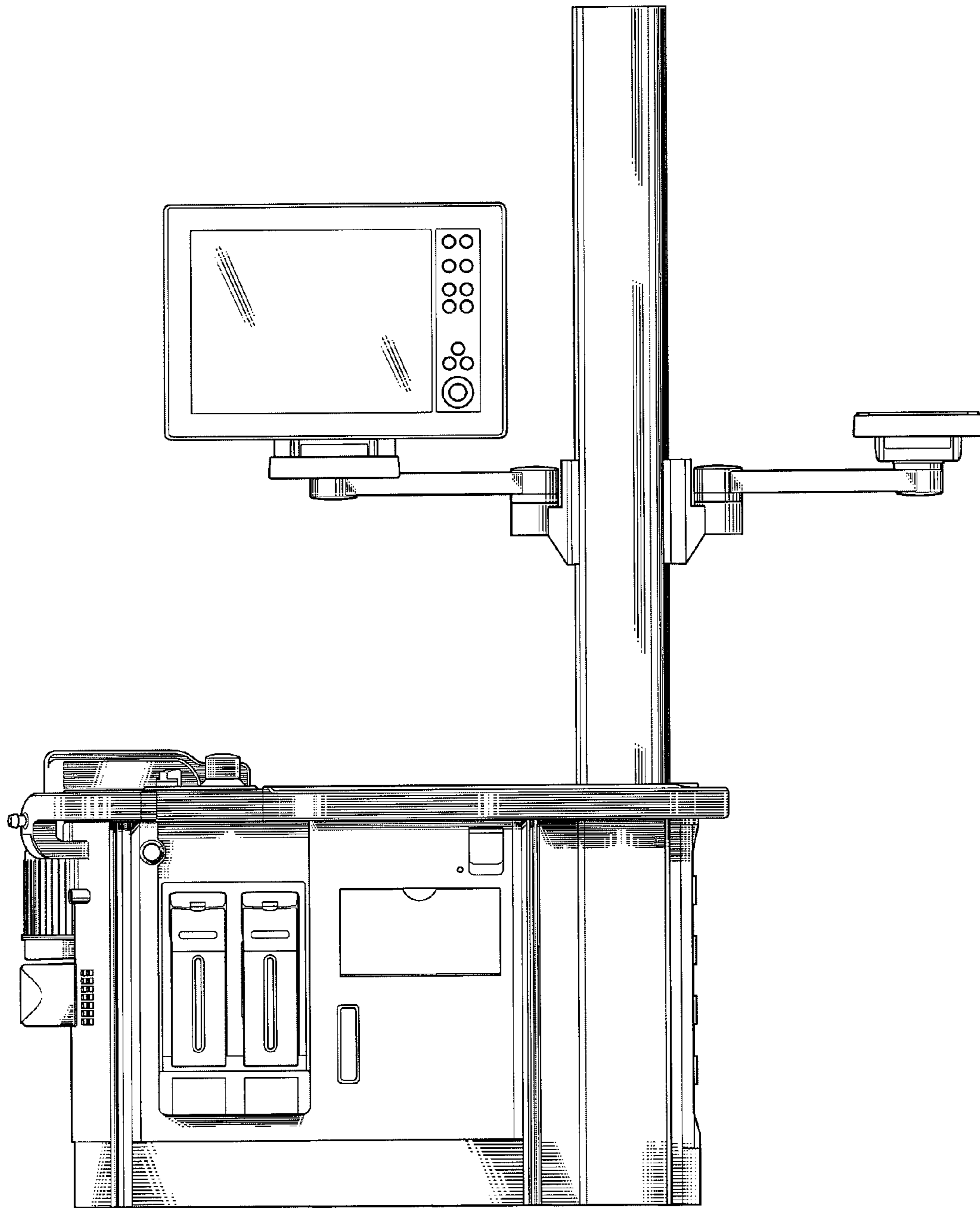


FIG. 2

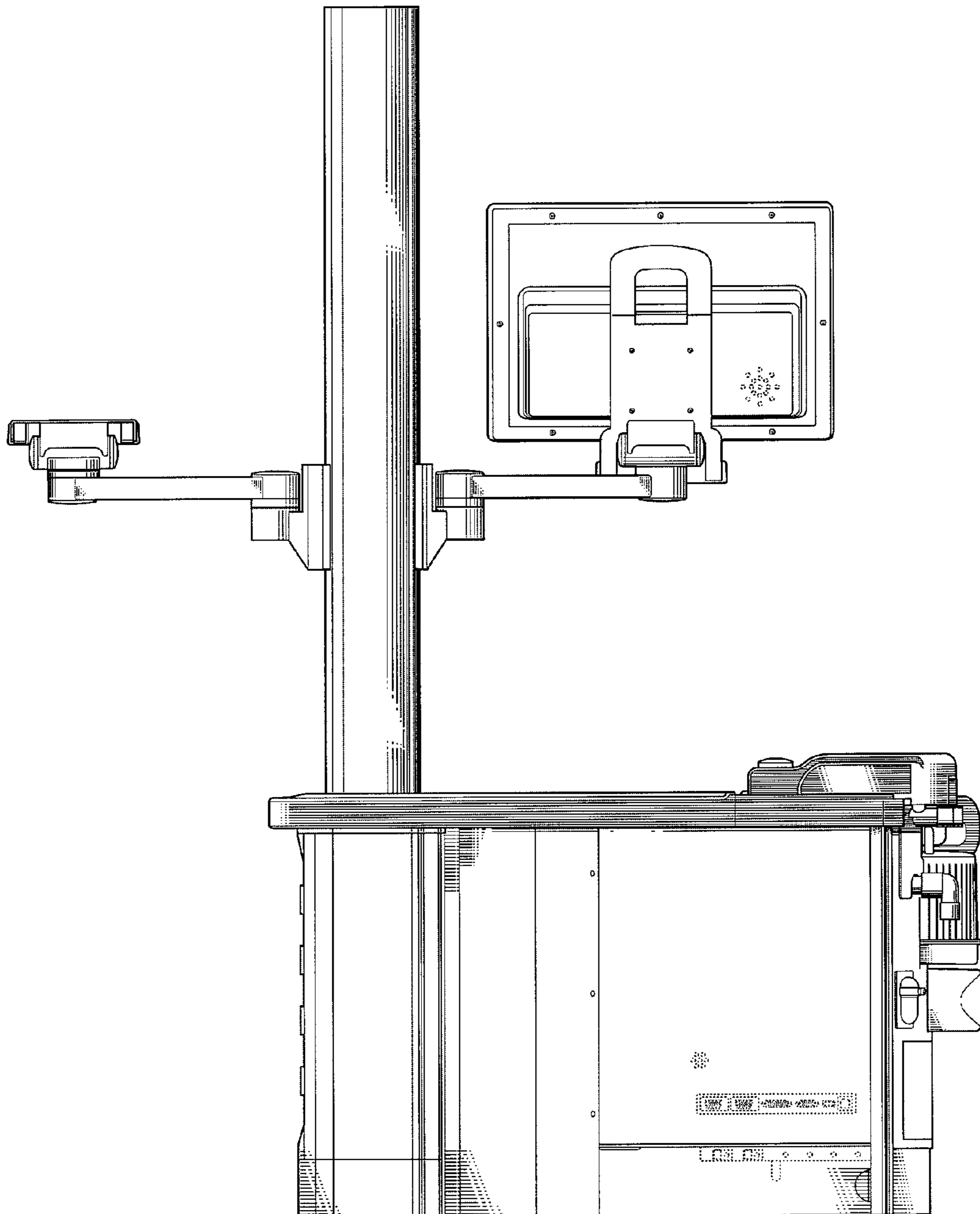


FIG. 3

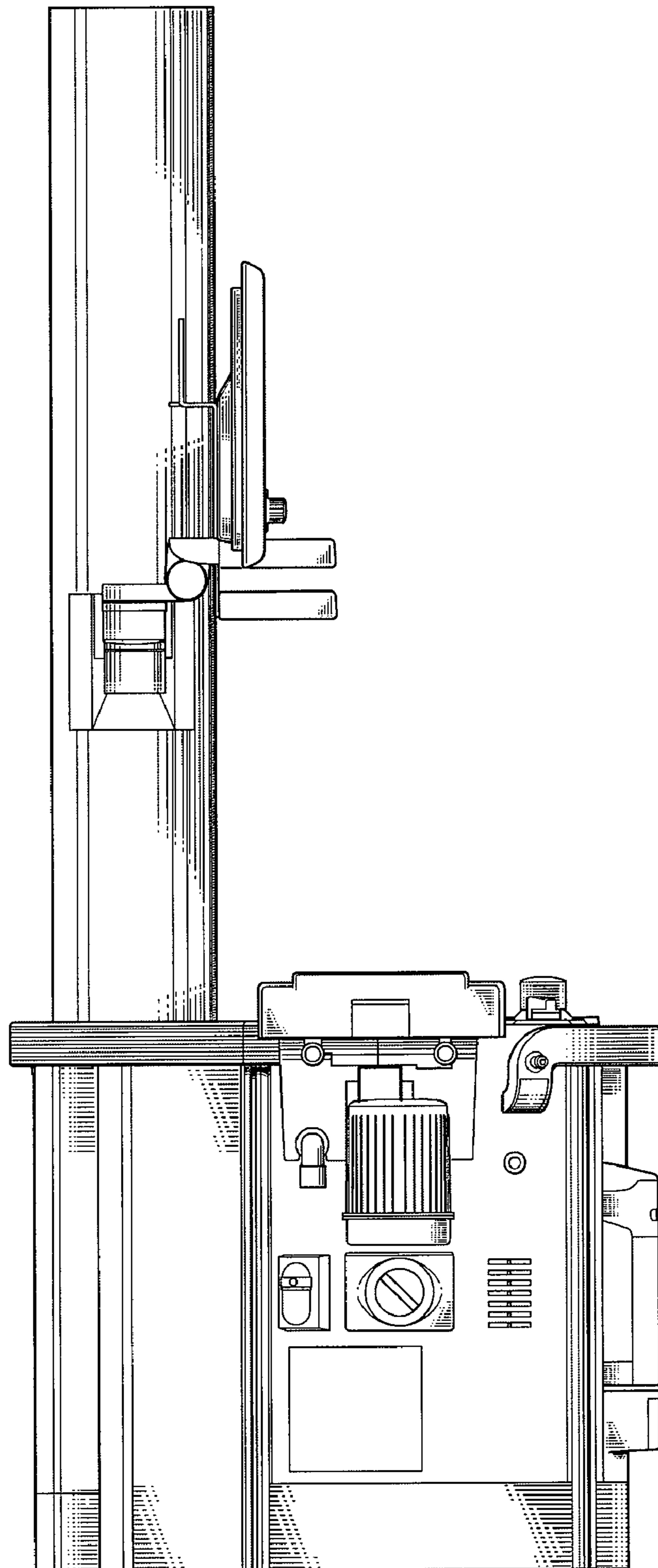


FIG. 4

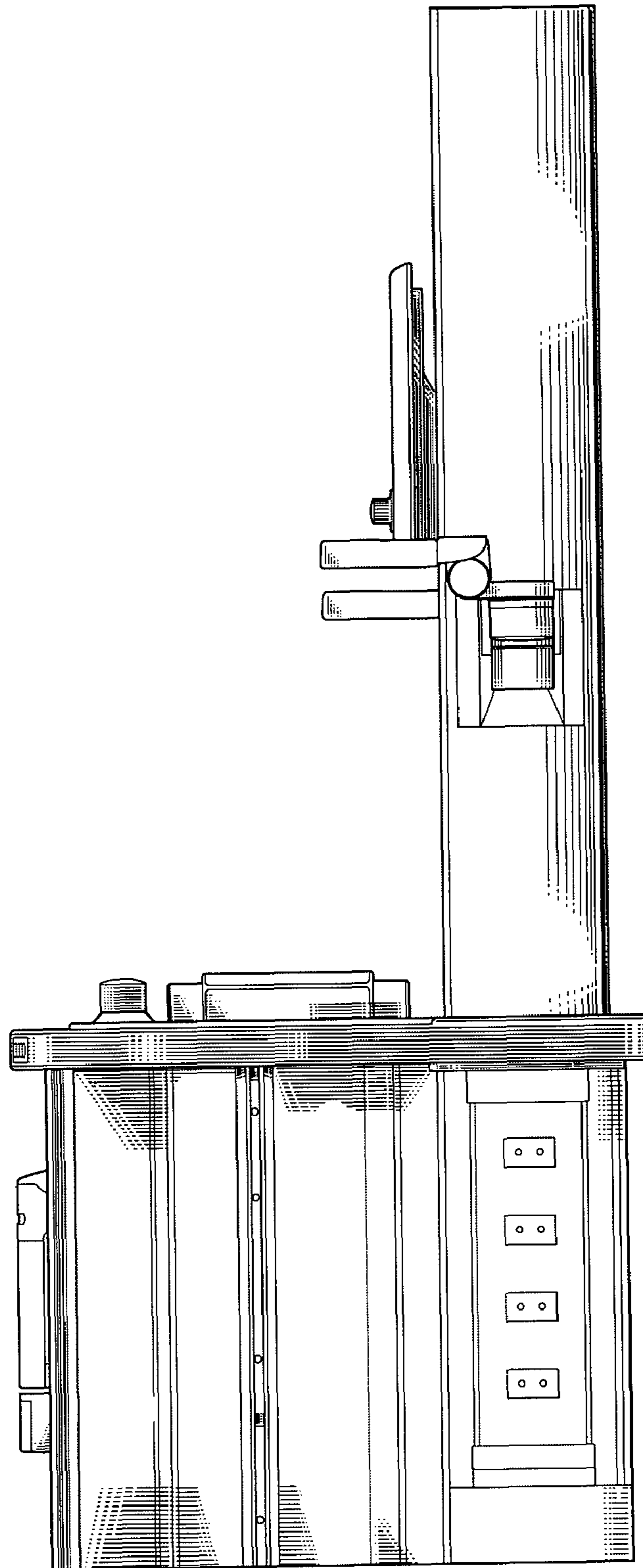


FIG. 5

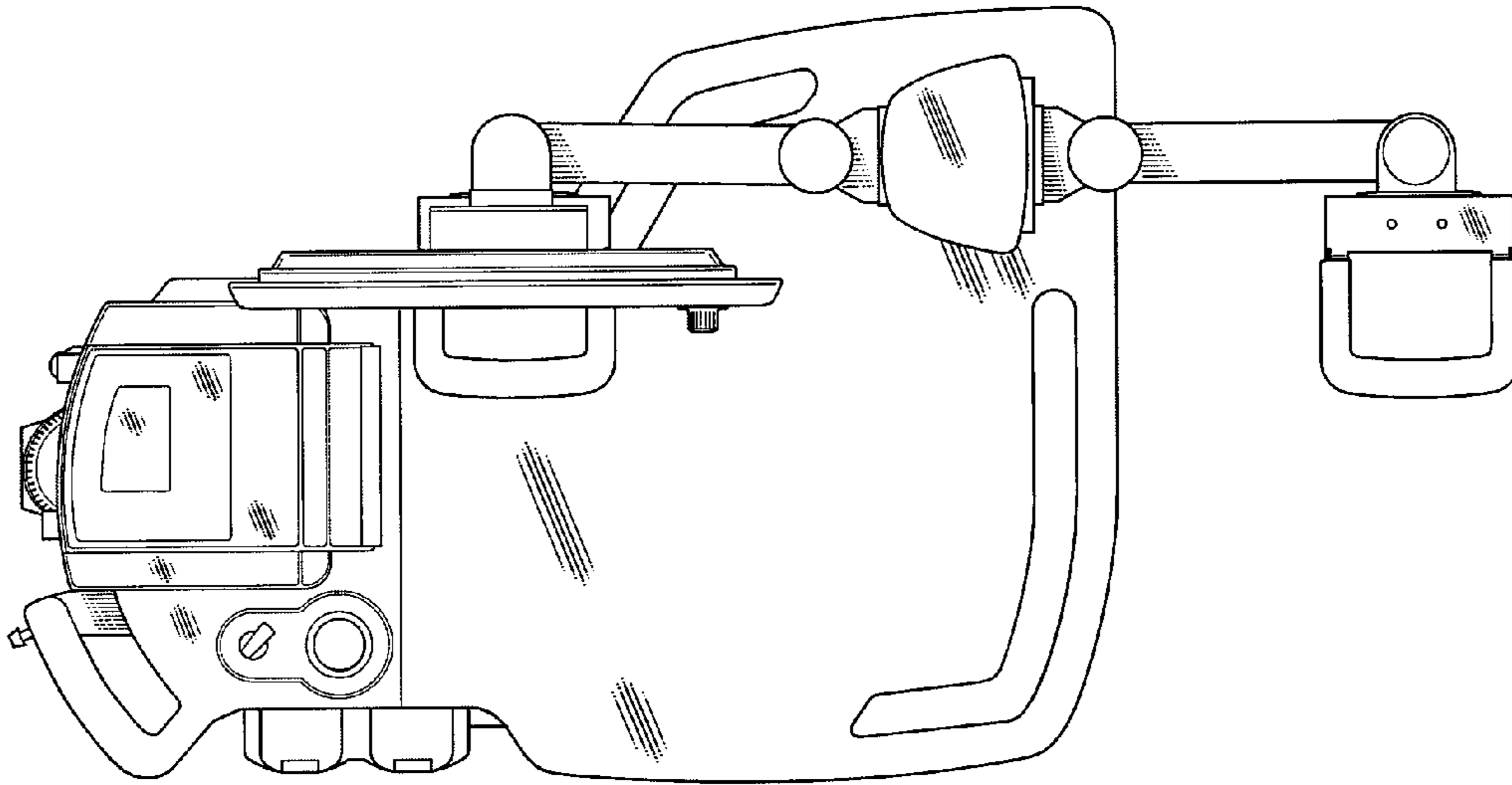


FIG. 6

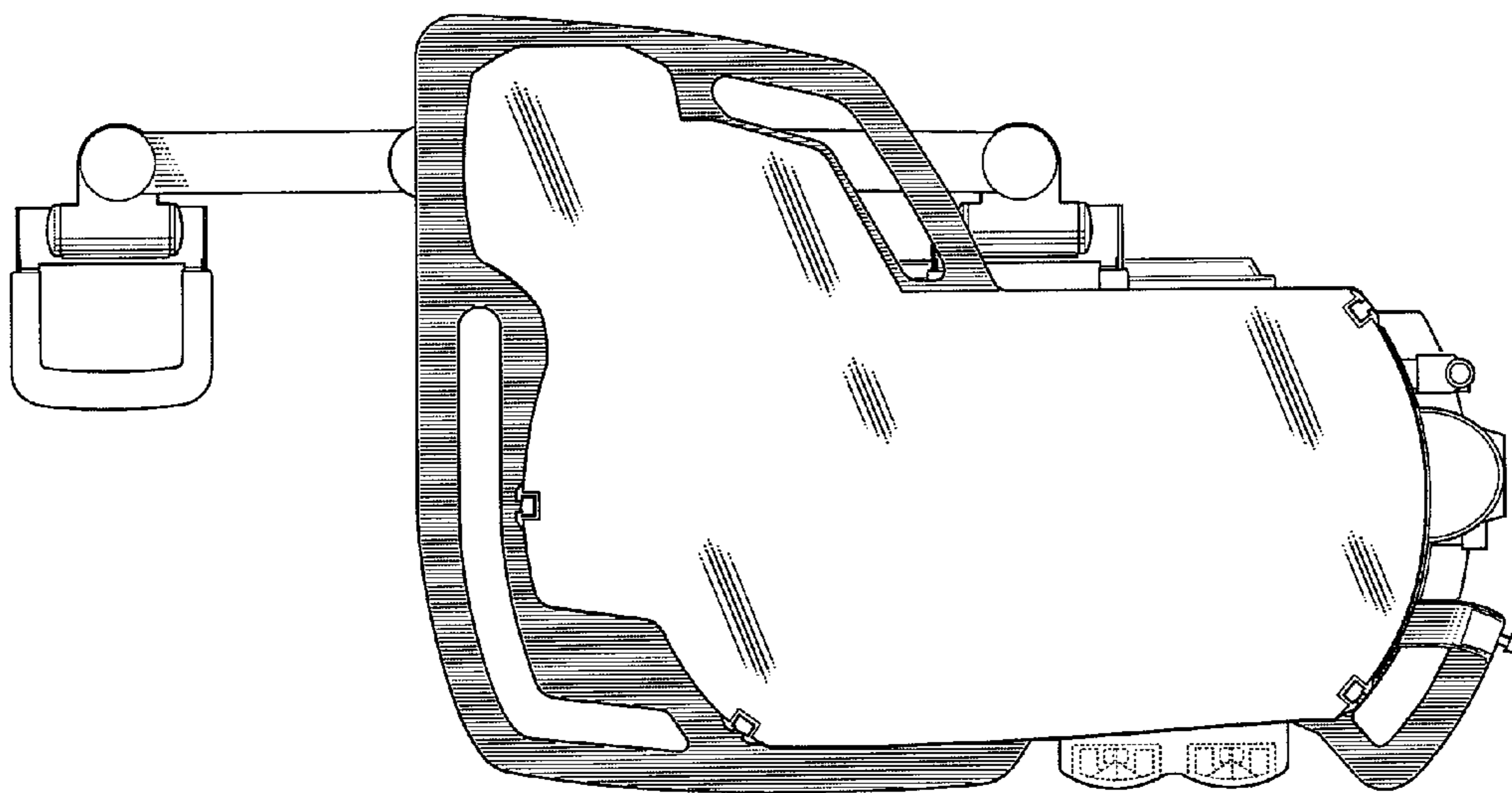


FIG. 7